

Dialight



SafeSite[®] LED High Bay - High Efficiency - ATEX / IECEx - EMEA

for Indoor and Outdoor Industrial Applications



JUNE 2021



Features & Benefits

- 10 year warranty
- L70 rated for >150,000 hours @ 25°C ambient
- Low power consumption
- Instant on/off
- Mercury free
- No UV or IR
- Resistant to shock and vibration
- Superior colour rendition index compared to HPS, LPS, MV
- Optional glass retention film available

Application

The Dialight SafeSite[®] LED High Bay luminaire was designed specifically to replace conventional lighting in a wide variety of indoor and outdoor hazardous area applications. Its low profile light weight design and versatile mounting options make it ideal for High Bay applications for ATEX and IECEx classified hazardous area zones. Dialight's long life LED luminaires are designed to meet the most demanding specification criteria while offering maximum energy savings, reduced maintenance costs, and a superior quality of light.

SafeSite® LED High Bay - ATEX / IECEx Standard Models

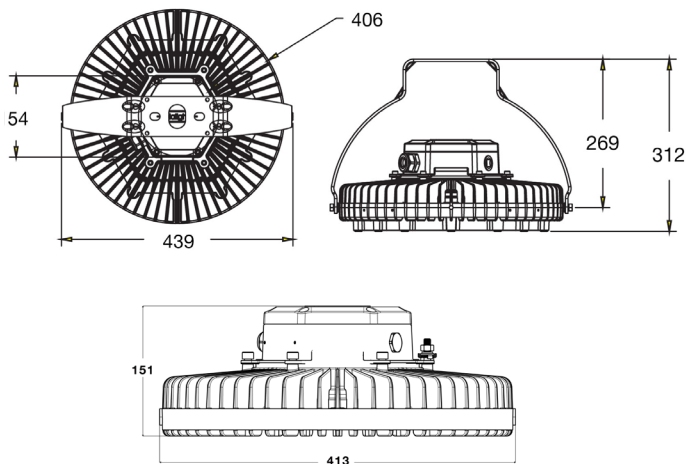


Certifications & Ratings (All Models)

- ATEX / IECEx Zones 1, 21
- ATEX / IECEx Zones 2, 22
- CE
- IP66
- RoHS compliant

Certifications & Ratings

- Ex II 2 GD
- Ex db eb op is IIB T5 Gb
- Ex tb op is IIIC T100°C Db
- Certificate numbers:
Sira 18ATEX1001X
IECEx SIR 18.0001X



Dimensions in mm

Mechanical Information:

Fixture weight:	15.5 kg (34 lb)
Mounting:	Aluminum mounting bracket (included)
Wiring options for Junction Box models:	2 off M25 x 1.5mm cable entries

Electrical Specifications:

Operating voltage:	100-277 VAC, 120-250 VDC
Total system power consumption:	See table
Operating temperature:	-40°C to +60°C
Harmonics:	IEC 61000-3-2
Surge protection:	Protection devices capable of handling up to 6kV. Tested for 6kV/2 ohm combination wave, as per IEEE C62.41, line-line and line-ground
THD:	<20%
Power factor:	> 0.9

Construction:

Housing:	Copper-free aluminum
Finish:	Superior dual coat finish - Sealed polyester topcoat - Chemical resistant epoxy primer
Lens:	Tempered glass (optional fragment retention film available)

Photometric Information:

CRI:	80 typical
CCT:	5000K (cool white) 4000K (neutral white)

All values typical unless otherwise stated (tolerance +/- 10%)

WARNING - INSTALLATION & SECONDARY RETENTION. Use of any Dialight products without proper installation (including secondary retention / netting) and periodic inspections could cause severe injury or death. Dialight recommends that all installations should use secondary retention / netting (appropriate to the installation environment) where applicable. It is the exclusive responsibility of the contractor, installer and/or end-user to: (a) determine the suitability of the product for its intended application; and, (b) ensure that the product is safely installed (with secondary retention / netting where appropriate) and in compliance with all applicable laws and regulations. To the extent permissible under applicable laws, Dialight disclaims all liability for personal injury and/or other damage resulting from any dislodgment or other dislocation of its products.

SafeSite® LED High Bay - ATEX / IECEx Accessories & Beam Distribution Pattern



- HBXW3-SSL-316M**
- 316 stainless steel bracket



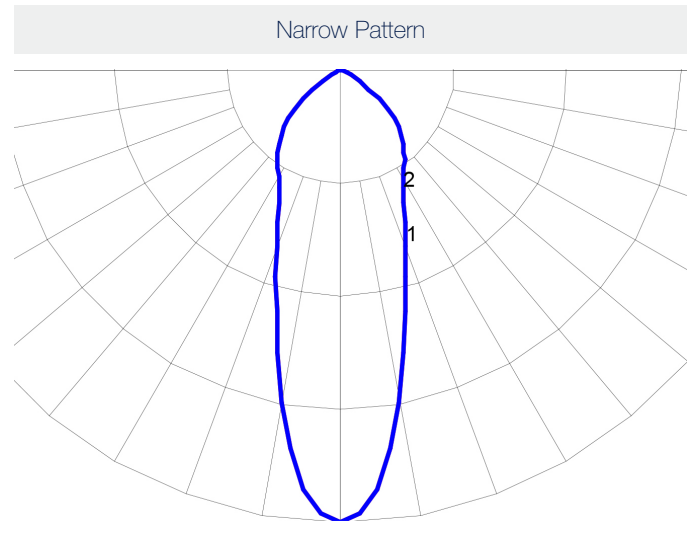
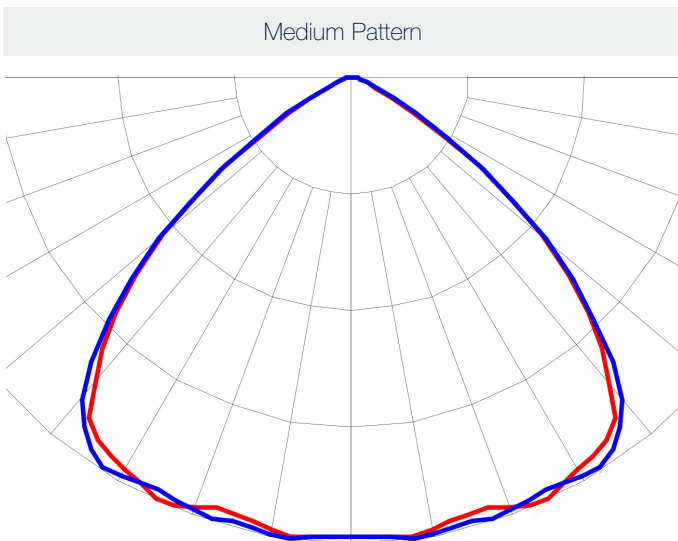
- HBXW3**
- Aluminium swivel bracket (included with fixture)



- HBXSBDK**
- Sand blast kit (dome lens)
- HBXSBDL**
- Sacrificial dome lens



- HBXSBK**
- Sand blast kit (flat lens)
- HBXSBL**
- Sacrificial flat lens



SafeSite® LED High Bay - ATEX / IECEx

Ordering Information

Current Part Number	Historic Part Number	Fixture Lumens	Wattage	lm/W	Voltage	Colour Temperature (CCT)	Lens	Beam Distribution
ATEX / IECEx Junction Box Models with Aluminum Swivel Bracket								
HWA-7MC2-ANAN-NGN	HEA9MC4DN-KCG	8,000	58	138	100-277 VAC, 120-250 VDC	Cool White 5000K	Clear Tempered Glass	Medium
HWA-7NC2-ANAN-NGN	HEA9NC4DN-KCG	8,000	58	138	100-277 VAC, 120-250 VDC	Cool White 5000K	Clear Tempered Glass	Narrow
HWA-7MC2-BNAN-NGN	HEA9MC4GN-KCG	10,800	77	140	100-277 VAC, 120-250 VDC	Cool White 5000K	Clear Tempered Glass	Medium
HWA-7NC2-BNAN-NGN	HEA9NC4GN-KCG	10,800	77	140	100-277 VAC, 120-250 VDC	Cool White 5000K	Clear Tempered Glass	Narrow
HWA-7MC2-CNAN-NGN	HEA9MC4KN-KCG	16,200	113	143	100-277 VAC, 120-250 VDC	Cool White 5000K	Clear Tempered Glass	Medium
HWA-7NC2-CNAN-NGN	HEA9NC4KN-KCG	16,200	113	143	100-277 VAC, 120-250 VDC	Cool White 5000K	Clear Tempered Glass	Narrow
HWA-7MC2-ENAN-NGN	HEA9MC4PN-KCG	21,200	148	143	100-277 VAC, 120-250 VDC	Cool White 5000K	Clear Tempered Glass	Medium
HWA-7NC2-ENAN-NGN	HEA9NC4PN-KCG	21,200	148	143	100-277 VAC, 120-250 VDC	Cool White 5000K	Clear Tempered Glass	Narrow

All values typical unless otherwise stated (tolerance +/- 10%).

Historical part number provided for reference only. For performance characteristics of historical product, please contact your local representative.

Pre-wired models available for products in the above table. Replace the second character W with E, replace the eleventh character with a W.

Ex: HWA-7MC2-ENAN-NGN becomes HEA-7MC2-ENAW-NGN.

North American HQ

1501 Route 34 South
Farmingdale, NJ 07727
Tel: 732-919-3119
Fax: 732-751-5778
info@dialight.com

Dialight Europe Ltd

Leaf C, Level 36, Tower 42
25 Old Broad Street
London, EC2N 1HQ, United Kingdom
Tel: +44 (0) 203 058 3540
Customer Service: +44 (0) 163 866 6541
sales-emea@dialight.com

Middle East

Level 23 – Boulevard Plaza Tower 2
Emaar Boulevard, Dubai, U.A.E.
P.O. Box 124342
Tel: +971 (4) 409-6962
Fax: +971 (4) 409-6850

Australia

108 Howe Street
Osborne Park, WA 6017
Tel: +61 (0) 8 9244 7600
Fax: +61 (0) 8 9244 7601
info@dialight.com.au

Southeast Asia

33 Ubi Avenue 3
#07-72 Vertex (Tower A)
Singapore 408868
Tel: +65 6578 7157
Fax: +65 6578 7150
enquiry@dialight.com.sg

Brazil

Alameda Mercurio,
225 – American Park Empresarial NR
Indaiatuba – SP – 13347– 662
Tel: +55 (19) 3113-4300
Fax: +55 (19) 3113-4300
brasil@dialight.com

WARNING / DISCLAIMERS:

Installation & secondary retention. The use of this product without proper installation (including secondary retention / netting) and periodic inspections, could cause severe injury or death. Dialight recommends that all installations should use secondary retention / netting (appropriate to the installation environment) as applicable. Dialight products are intended for ultimate purchase, installation and operation by knowledgeable persons trained in the functional assessment, installation, use and maintenance of such products and all customers (including but not limited to end customers) are responsible for assessing the suitability of Dialight products for any given installation requirement. It is the exclusive responsibility of the contractor, installer and/or end-user to: (a) determine the suitability of the product for its intended application; and, (b) ensure that the product is safely installed (with secondary retention / netting as appropriate) and in compliance with all applicable laws and regulations.

Product specifications & warranties. All product information provided is, to the best of Dialight's knowledge, accurate as of the date of publication. All values and performance data herein are design or typical values when measured under laboratory conditions. The information herein is subject to change without notice. The products / software detailed herein are subject to applicable warranties and terms and conditions of use/purchase. Unless agreed otherwise in writing by an authorized representative of Dialight, Dialight does not represent that its products are fit for any particular purpose and accepts no liability for the installation and/or unauthorised use of its products. When ordering, refer to www.dialight.com for current versions of: (a) relevant product documentation (including relevant product data sheets); (b) Dialight terms and conditions of sale; and, (c) the relevant product warranties. To the extent that any contract is deemed formed between Dialight and the purchaser of Dialight products and/or an end-user, versions of documents available at www.dialight.com as at the date of sale shall be the versions incorporated therein. In the event of any discrepancy between this document and information provided at www.dialight.com, the latter shall prevail.

Exclusion of liability. To the extent permissible under the relevant law, Dialight disclaims all liability for personal injury and/or other damage resulting from any dislodgment or other dislocation of its products. Whilst Dialight has used its reasonable endeavours to ensure the completeness and accuracy of information herein, Dialight does not assume any liability for damages resulting from use of this information or for any third-party representations made in relation to Dialight products.