

# Dialight

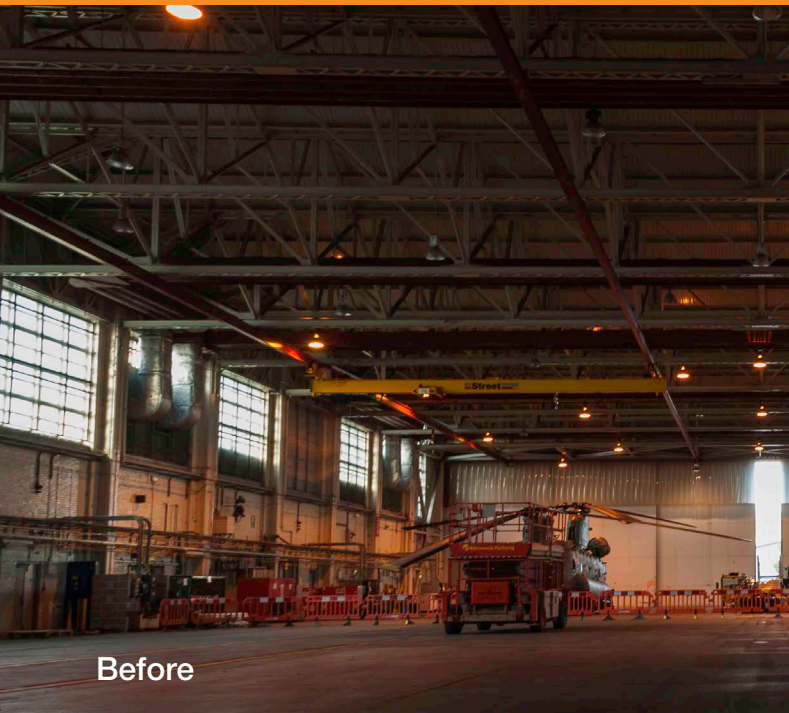


## Dialight LED Lighting Catalog - Americas/UL

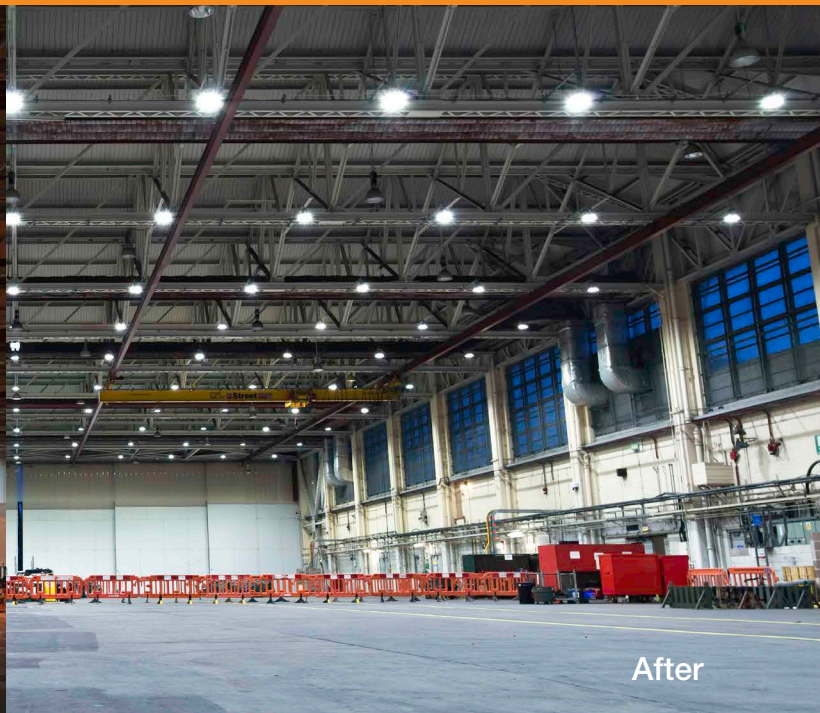
for Industrial and Hazardous Locations

OCTOBER 2021





Before



After

## About Dialight

With over 40 years of industrial LED lighting experience and the largest installed base in the world, Dialight's extensive network of support staff, distributor and channel partners are ready to help you select among our wide range of products to identify a lighting solution that meets your specific needs.

### Reliant™

- LED lighting for light industrial applications
- 10 year warranty

### Vigilant®

- LED lighting for general industrial applications
- 10 year warranty

### DuroSite®

- LED lighting for general industrial applications
- 5 & 10 year warranty

### SafeSite®

- LED lighting for hazardous applications
- 5 & 10 year warranty



# Hazardous Locations Ratings

Fixed and portable fixtures for installation and use in hazardous (classified) locations Class I, Divisions 1 and 2, Groups A, B, C, and D; Class II, Division 1, Groups E, F, and G; Class II, Division 2, Groups F and G; and Class III, Divisions 1 and 2, in accordance with the National Electrical Code, NFPA 70

## Classes

The classes define the general nature of hazardous material in the surrounding atmosphere.

Class	Hazardous Material in Surrounding Atmosphere
Class I	Hazardous because flammable gases or vapors are present in the air in quantities sufficient to produce explosive or ignitable mixtures
Class II	Hazardous because combustible or conductive dusts are present
Class III	Hazardous because ignitable fibers or flying's are present, but not likely to be in suspension in sufficient quantities to produce ignitable mixtures. Typical wood chips, cotton, flax and nylon. Group classifications are not applied to this class

## Divisions

The division defines the probability of hazardous material being present in an ignitable concentration in the surrounding atmosphere.

Division	Presence of Hazardous Material
Division 1	The substance referred to by class is present during normal conditions
Division 2	The substance referred to by class is present only in abnormal conditions, such as a container failure or system breakdown

## Groups

The group defines the hazardous material in the surrounding atmosphere.

Group	Hazardous Material in Surrounding Atmosphere
Group A	Acetylene
Group B	Hydrogen, fuel and combustible process gases containing more than 30% hydrogen by volume or gases of equivalent hazard such as butadiene, ethylene, oxide, propylene oxide and acrolein
Group C	Carbon monoxide, ether, hydrogen sulfide, morphine, cyclopropane, ethyl and ethylene or gases of equivalent hazard
Group D	Gasoline, acetone, ammonia, benzene, butane, cyclopropane, ethanol, hexane, methanol, methane, vinyl chloride, natural gas, naphtha, propane or gases of equivalent hazard
Group E	Combustible metal dusts, including aluminum, magnesium and their commercial alloys or other combustible dusts whose particle size, abrasiveness and conductivity present similar hazards in connection with electrical equipment
Group F	Carbonaceous dusts, carbon black, coal black, charcoal, coal or coke dusts that have more than 8% total entrapped volatiles or dusts that have been sensitized by other material so they present an explosion hazard
Group G	Flour dust, grain dust, flour, starch, sugar, wood, plastic and chemicals

Reference:  
[http://www.engineeringtoolbox.com/hazardous-areas-classification-d\\_347.html](http://www.engineeringtoolbox.com/hazardous-areas-classification-d_347.html)

# Table of Contents

## ProSite LED Lighting

ProSite LED Floodlight 14-21

## Reliant™ LED Lighting

Reliant™ LED High Bay 22-25

## Vigilant® LED Lighting

Vigilant® Ultra-Efficient LED High Bay & Low Bay 26-31

Vigilant® LED High Bay & Low Bay 32-45

Vigilant® LED High Output High Bay 46-55

Vigilant® LED High Output High Bay - Low Profile 56-59

Vigilant® LED Dual & Single Floodlight 60-63

Vigilant® LED Area Light 64-73

Vigilant® LED Linear - Low Profile 74-75

Vigilant® LED Linear - Top Conduit 76-77

## DuroSite® LED Lighting

DuroSite® LED Floodlight 78-81

DuroSite® LED Area Light 82-91

DuroSite® LED End-to-End Linear 92-93

DuroSite® LED Linear - Low Profile 94-95

DuroSite® LED Linear - Top Conduit 96-97

DuroSite® LED Linear - Battery Backup 98-99

DuroSite® LED RTO Area Light 100-101

## SafeSite® LED Lighting

SafeSite® Ultra-Efficient LED High Bay & Low Bay 102-107

SafeSite® LED High Bay & Low Bay 108-123

SafeSite® LED Floodlight 124-127

SafeSite® LED Area Light 128-147

SafeSite® LED End-to-End Linear 148-149

SafeSite® LED Linear - Low Profile 150-151

SafeSite® LED Linear - Top Conduit 152-157

SafeSite® LED Linear - Battery Backup 158-159

SafeSite® LED Linear - Class I, Div. 1 160-161

SafeSite® LED Linear - Battery Backup - Class I, Div. 1 162-163

SafeSite® LED RTO Area Light 164-165

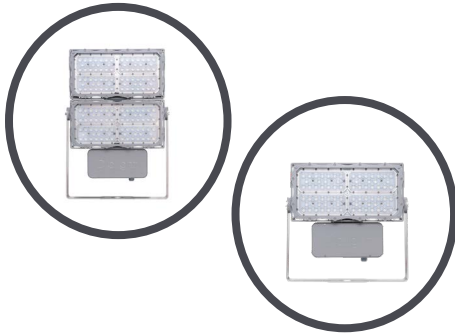
## StreetSense® LED Lighting

StreetSense® LED Street Light 166-167

## Obstruction LED Lighting

FAA Approved Obstruction Lighting Solutions 168-169

## ProSite LED Lighting Fixture for Industrial Applications



### LED Floodlight

Wattage Range:	81-499W
Lumen Output:	12,500-65,000lm
Lumens per Watt:	Up to 165
Input Voltage:	120-277 VAC / 120-250 VDC 347-480 VAC

## Reliant™ LED Lighting Fixture for Industrial Applications



### LED High Bay

Wattage Range:	183-487W
Lumen Output:	18,000-72,000lm
Lumens per Watt:	129-160
Input Voltage:	100-277 VAC 347-480 VAC

## Vigilant® LED Lighting Fixtures for Industrial Applications



### LED High Bay

Wattage Range:	80-186W
Lumen Output Range:	11,000-43,000lm
Lumens per Watt:	Up to 200lm/W
Input Voltage:	100-277 VAC 120-250 VDC 347/480 VAC



### LED High Bay - Passive Power Supply

Wattage Range:	73-206W
Lumen Output:	9,750-27,000lm
Lumens per Watt:	101-131
Input Voltage:	347 VAC or 480 VAC

**DISCLAIMER.** All product information provided is, to the best of Dialight's knowledge, accurate as of the date of publication. When ordering, refer to [www.dialight.com](http://www.dialight.com) for current versions of: (a) relevant product documentation (including the relevant product data sheets); (b) Dialight terms and conditions of sale; and, (c) the relevant product warranty. To the extent that any contract is deemed formed between Dialight and the purchaser of Dialight products and/or an end-user, versions of documents available at [www.dialight.com](http://www.dialight.com) as at the date of sale shall be the versions incorporated therein. In the event of any discrepancy between this document or information provided at [www.dialight.com](http://www.dialight.com), the latter shall prevail.

# Vigilant® LED Lighting Fixtures

## for Industrial Applications



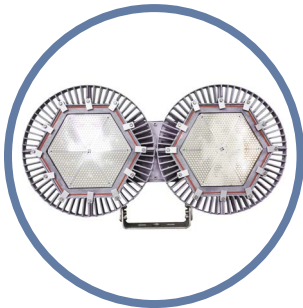
### LED Low Bay

Wattage Range:	42-154W
Lumen Output:	4,000-16,500lm
Lumens per Watt:	Up to 148lm/W
Input Voltage:	100-277 VAC 120-250 VDC 347/480 VAC



### LED High Output High Bay & Low Profile

Wattage Range:	300-506W
Lumen Output:	Up to 72,000lm
Lumens per Watt:	Up to 155 lm/W
Input Voltage:	120-277 VAC, 347/480 VAC



### LED Single & Dual Floodlight

Wattage Range:	186-412W
Lumen Output Range:	27,000-56,000lm
Lumens per Watt:	127-147
Input Voltage:	100-277 VAC, 120-250 VDC, 347-480 VAC



### LED Area Light

Wattage Range:	24W-66W
Lumen Output Range:	2,800-9,000lm
Lumens per Watt:	106-143
Input Voltage:	100-277 VAC, 120-250 VDC

**DISCLAIMER.** All product information provided is, to the best of Dialight's knowledge, accurate as of the date of publication. When ordering, refer to [www.dialight.com](http://www.dialight.com) for current versions of: (a) relevant product documentation (including the relevant product data sheets); (b) Dialight terms and conditions of sale; and, (c) the relevant product warranty. To the extent that any contract is deemed formed between Dialight and the purchaser of Dialight products and/or an end-user, versions of documents available at [www.dialight.com](http://www.dialight.com) as at the date of sale shall be the versions incorporated therein. In the event of any discrepancy between this document or information provided at [www.dialight.com](http://www.dialight.com), the latter shall prevail.

# DuroSite® LED Lighting Fixtures

## for Industrial Applications



### LED Floodlight

Wattage Range:	106-140W
Lumen Output Range:	10,000-15,000lm
Lumens per Watt:	89-111
Input Voltage:	100-277 VAC 347/480 VAC



### LED Area Light

Wattage Range:	21W-85W
Lumen Output Range:	2,200-7,500lm
Lumens per Watt:	75-111
Input Voltage:	120-277 VAC - Battery backup 347/480 VAC, 24-48 VDC



### LED Linear - End-to-End

Wattage Range:	32W/60W
Lumen Output Range:	3,500-7,500lm
Lumens per Watt:	109-125
Input Voltage:	100-277 VAC



### LED Linear - Low Profile

Wattage Range:	33W/66W
Lumen Output Range:	2,900-7,250lm
Lumens per Watt:	88-110
Input Voltage:	100-277 VAC



### LED Linear - Top Conduit

Wattage Range:	33W/66W
Lumen Output Range:	2,900-7,250lm
Lumens per Watt:	88-110
Input Voltage:	100-277 VAC

**DISCLAIMER.** All product information provided is, to the best of Dialight's knowledge, accurate as of the date of publication. When ordering, refer to [www.dialight.com](http://www.dialight.com) for current versions of: (a) relevant product documentation (including the relevant product data sheets); (b) Dialight terms and conditions of sale; and, (c) the relevant product warranty. To the extent that any contract is deemed formed between Dialight and the purchaser of Dialight products and/or an end-user, versions of documents available at [www.dialight.com](http://www.dialight.com) as at the date of sale shall be the versions incorporated therein. In the event of any discrepancy between this document or information provided at [www.dialight.com](http://www.dialight.com), the latter shall prevail.

# DuroSite® LED Lighting Fixtures

for Industrial Applications



## LED Linear - Battery Backup

Wattage Range: 85W  
 Lumen Output Range: 7,000lm  
 Lumens per Watt: 82  
 Input Voltage: 120-277 VAC



## LED RTO Area Light

Wattage Range: 8W  
 Lumen Output Range: 470-800lm  
 Lumens per Watt: 59-100  
 Input Voltage: 100-277 VAC  
 24-48 VDC

# SafeSite® LED Lighting Fixtures

for Hazardous Applications



## LED High Bay

Wattage Range: 80-186W  
 Lumen Output Range: 11,000-41,300lm  
 Lumens per Watt: Up to 200lm/W  
 Input Voltage: 100-277 VAC, 120-250 VDC  
 347-480 VAC



## LED High Bay - Passive Power Supply

Wattage Range: 73-206W  
 Lumen Output: 11,250-27,000lm  
 Lumens per Watt: 123-154  
 Input Voltage: 347 VAC or 480 VAC



## LED Low Bay

Wattage Range: 42-154W  
 Lumen Output: 4,000-16,800lm  
 Lumens per Watt: Up to 148lm/W  
 Input Voltage: 100-277 VAC  
 120-250 VDC  
 347/480 VAC

DISCLAIMER. All product information provided is, to the best of Dialight's knowledge, accurate as of the date of publication. When ordering, refer to [www.dialight.com](http://www.dialight.com) for current versions of: (a) relevant product documentation (including the relevant product data sheets); (b) Dialight terms and conditions of sale; and, (c) the relevant product warranty. To the extent that any contract is deemed formed between Dialight and the purchaser of Dialight products and/or an end-user, versions of documents available at [www.dialight.com](http://www.dialight.com) as at the date of sale shall be the versions incorporated therein. In the event of any discrepancy between this document or information provided at [www.dialight.com](http://www.dialight.com), the latter shall prevail.

# SafeSite® LED Lighting Fixtures

## for Hazardous Applications



### LED Floodlight

Wattage Range:	106-140W
Lumen Output Range:	10,000-15,000lm
Lumens per Watt:	89-111
Input Voltage:	100-277 VAC 347/480 VAC



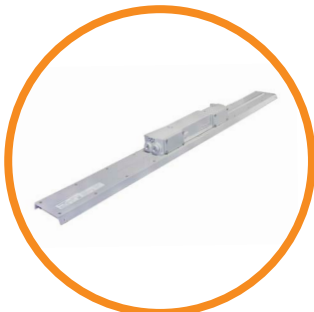
### LED Area Light

Wattage Range:	21-85W
Lumen Output Range:	2,200-9,000lm
Lumens per Watt:	75-145
Input Voltage:	100-277 VAC, 120-250 VDC 120-277 VAC - Battery backup 347-480 VAC 24-48 VDC



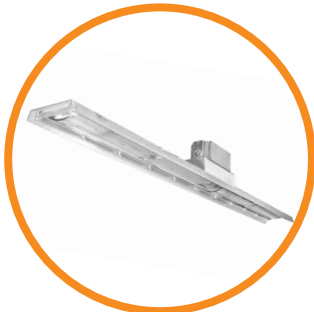
### LED Linear - End-to-End

Wattage Range:	32W/60W
Lumen Output Range:	3,500-7,500lm
Lumens per Watt:	109-125
Input Voltage:	120-277 VAC



### LED Linear - Low Profile

Wattage Range:	33W/66W
Lumen Output Range:	2,700-7,250lm
Lumens per Watt:	82-110
Input Voltage:	100-277 VAC



### LED Linear - Top Conduit

Wattage Range:	33W/66W
Lumen Output Range:	2,900-7,250lm
Lumens per Watt:	82-110
Input Voltage:	100-277 VAC

**DISCLAIMER.** All product information provided is, to the best of Dialight's knowledge, accurate as of the date of publication. When ordering, refer to [www.dialight.com](http://www.dialight.com) for current versions of: (a) relevant product documentation (including the relevant product data sheets); (b) Dialight terms and conditions of sale; and, (c) the relevant product warranty. To the extent that any contract is deemed formed between Dialight and the purchaser of Dialight products and/or an end-user, versions of documents available at [www.dialight.com](http://www.dialight.com) as at the date of sale shall be the versions incorporated therein. In the event of any discrepancy between this document or information provided at [www.dialight.com](http://www.dialight.com), the latter shall prevail.

# SafeSite® LED Lighting Fixtures

## for Hazardous Applications



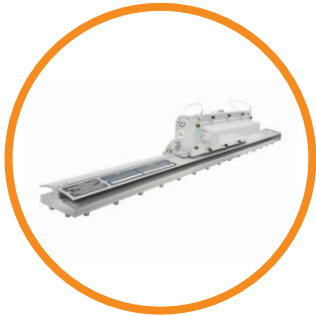
### LED Linear - Battery Backup

Wattage Range:	85W
Lumen Output Range:	7,000lm
Lumens per Watt:	82
Input Voltage:	120-277 VAC



### LED Linear - Class I, Div. 1

Wattage Range:	34-100W
Lumen Output Range:	3,600-7,250lm
Lumens per Watt:	72-106
Input Voltage:	100-277 VAC 347-480 VAC



### LED Linear - Battery Backup

Wattage Range:	85W
Lumen Output Range:	7,250lm
Lumens per Watt:	85
Input Voltage:	120-277 VAC



### LED RTO Area Light

Wattage Range:	8W
Lumen Output Range:	470-800lm
Lumens per Watt:	59-100
Input Voltage:	100-277 VAC 24-48 VDC

**DISCLAIMER.** All product information provided is, to the best of Dialight's knowledge, accurate as of the date of publication. When ordering, refer to [www.dialight.com](http://www.dialight.com) for current versions of: (a) relevant product documentation (including the relevant product data sheets); (b) Dialight terms and conditions of sale; and, (c) the relevant product warranty. To the extent that any contract is deemed formed between Dialight and the purchaser of Dialight products and/or an end-user, versions of documents available at [www.dialight.com](http://www.dialight.com) as at the date of sale shall be the versions incorporated therein. In the event of any discrepancy between this document or information provided at [www.dialight.com](http://www.dialight.com), the latter shall prevail.

# StreetSense® LED Lighting Fixtures for Infrastructure Solutions



## LED Streetlight

Wattage Range:	65-252W
Lumen Output Range:	5,500-20,250lm
Lumens per Watt:	80-85
Input Voltage:	100-277 VAC 347-480 VAC

## Obstruction LED Lighting Solutions

### FAA Approved Obstruction Lighting Solutions



## Vigilant LED Based L-856 / L-864

### High Intensity (White/Red) Strobe

Effective Intensity:	White Day - 270,000 cd White Twilight - 20,000 cd White Night - 2,000 cd Red Night - 2,000 cd
Wattage:	White Day - 160W White Twilight - 30W White Night - 23W Red Night - 30W
Input Voltage:	208-277 VAC



## Vigilant LED Based L-865 / L-864 (+IR)

### Medium Intensity (White/Red) Strobe - Infrared (IR) available

Effective Intensity:	White Day - 20,000 cd White Night - 2,000 cd Red Night - 2,000 cd
Wattage:	White Day - 36W (system = 75W) White Night - 4W (system = 10W) Red Night - 12W (system = 25W)
Input Voltage:	120-240 VAC or +/- 48 VDC

**DISCLAIMER.** All product information provided is, to the best of Dialight's knowledge, accurate as of the date of publication. When ordering, refer to [www.dialight.com](http://www.dialight.com) for current versions of: (a) relevant product documentation (including the relevant product data sheets); (b) Dialight terms and conditions of sale; and, (c) the relevant product warranty. To the extent that any contract is deemed formed between Dialight and the purchaser of Dialight products and/or an end-user, versions of documents available at [www.dialight.com](http://www.dialight.com) as at the date of sale shall be the versions incorporated therein. In the event of any discrepancy between this document or information provided at [www.dialight.com](http://www.dialight.com), the latter shall prevail.

# Obstruction LED Lighting Solutions

## FAA Approved Obstruction Lighting Solutions

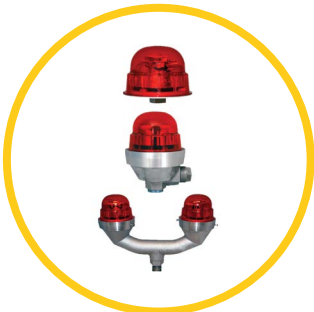


**Vigilant LED Based L-864 (+IR)**  
Medium Intensity (Red) Beacon - Infrared (IR) available

**Effective Intensity:** 2,000 cd

**Wattage:** 3.3W (16.7% duty cycle) - Standard Model  
7.0W (16.7% duty cycle) - IR model  
20 flashes per minute with 0.5 sec. on time

**Input Voltage:** 120-240 VAC or 24-48 VDC



**Vigilant LED Based L-810 (+IR)**  
Low Intensity (Red) RTO Side Light - Infrared (IR) available

**Effective Intensity:** 32.5 cd

**Wattage Range:** 9.0-1.5W

**Input Voltage:** 12-48 VDC / 120-240 VAC / 277 VAC



**Vigilant LED Based L-810 (+IR)**  
Low Intensity (Red) RTO Side Light - Infrared (IR) available

**Effective Intensity:** 32.5 cd

**Wattage Range:** 24-13W

**Input Voltage:** 12-48 VDC / 120 VAC / 230 VAC

DISCLAIMER. All product information provided is, to the best of Dialight's knowledge, accurate as of the date of publication. When ordering, refer to [www.dialight.com](http://www.dialight.com) for current versions of: (a) relevant product documentation (including the relevant product data sheets); (b) Dialight terms and conditions of sale; and, (c) the relevant product warranty. To the extent that any contract is deemed formed between Dialight and the purchaser of Dialight products and/or an end-user, versions of documents available at [www.dialight.com](http://www.dialight.com) as at the date of sale shall be the versions incorporated therein. In the event of any discrepancy between this document or information provided at [www.dialight.com](http://www.dialight.com), the latter shall prevail.

# ProSite LED Floodlight - UL / CSA

## F1 Models



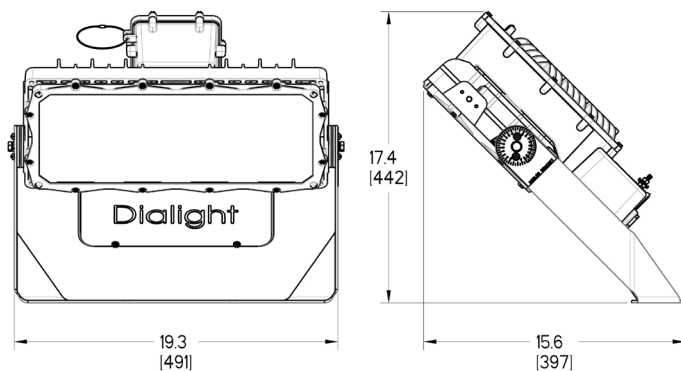
Patent Pending

### Certifications & Ratings

- 10 year warranty
- UL 1598/A / CSA C22.2 No. 250.0
- UL 844 / CSA C22.2 No. 137
  - Class I, Division 2 (Groups A, B, C, D)
  - Class I, Zone 2 (Groups IIC)
  - Class II, Division 2 (Groups E, F, G)
  - Zone 22
  - Class III
  - CID1 - Pending\*
- IP66/67, NEMA 4X
- IK10 (integrated PC optic/lens/lens cover), IK08 (glass lens cover)
- L70 > 150,000 hours @ 25°C ambient
- DLC/DLC Premium - selected models

\*Values based on preliminary data awaiting validation or certification.

### Angled Bracket



Dimensions in inches [mm]

### Mechanical Information:

- Fixture weight:** 24 - 30 lbs
- Shipping weight:** ~32 lbs
- EPA (sq. ft):** 2.00
- Mounting:** 316 stainless steel straight bracket  
(all with 7.5° tilting increments) 316 stainless steel angled bracket  
Slipfitter bracket
- Cable entry:** 2 x 3/4" NPT

### Electrical Specifications:

- Operating voltage:** 120-277VAC / 120-250VDC  
347-480 VAC
- Operating temp:** -40°F to +149°F (-40°C to +65°C)
- EMC:** CISPR 15  
FCC 47CFR 15  
IEC 61000-3-3  
IEC 61547  
IEC 61000-3-2
- Transient protection:** 6KV/3KA combination wave, as per IEEE  
C62.41, line-line and line-ground.  
Optional: 10kV/5kA for non-hazardous models
- THD:** < 20%
- Power Factor:** > 0.9
- Dimming:** Wireless dimming controls  
via Dialight IntelliLED (optional),  
DALI 2.0 compatible/ 0-10 VDC (standard)

### Construction:

- Housing:** A360 Die-cast aluminum
- Hardware:** 316 stainless steel
- Finish:** Superior epoxy and polyester  
dual coat finish
- Lens:** Integrated PC Optic/Lens,  
Glass Lens Cover, PC Lens Cover

### Photometric Information:

- CRI:** 70 (80 optional)
- CCT:** 5000K (cool white)  
4000K (neutral white)  
2700K (warm white) - 80 CRI
- Beam pattern:** NEMA 4  
NEMA 6  
NEMA 7x6  
Asymmetric
- IES files:** Available at [www.dialight.com](http://www.dialight.com)

All values typical unless otherwise stated (tolerance +/- 10%)

### Temperature Ratings

Ambient Temperature T-Code: T4	Ambient Temperature T-Code: T4A
-40°F to +149°F (-40°C to +65°C)	-40°F to +131°F (-40°C to +55°C)

**WARNING - INSTALLATION & SECONDARY RETENTION.** Use of any Dialight products without proper installation (including secondary retention / netting) and periodic inspections could cause severe injury or death. Dialight recommends that all installations should use secondary retention / netting (appropriate to the installation environment) where applicable. It is the exclusive responsibility of the contractor, installer and/or end-user to: (a) determine the suitability of the product for its intended application; and, (b) ensure that the product is safely installed (with secondary retention / netting where appropriate) and in compliance with all applicable laws and regulations. To the extent permissible under applicable laws, Dialight disclaims all liability for personal injury and/or other damage resulting from any dislodgment or other dislocation of its products.

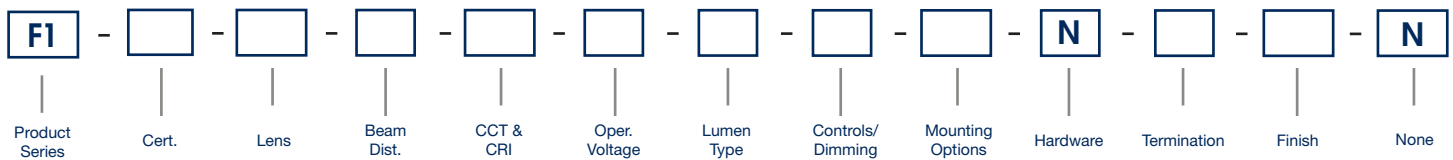
# ProSite LED Floodlight - UL / CSA

## F1 Models



Project Information		Specifications	
Part Number:			
Project:			
Fixture Type:		Date:	

### Ordering Information



Product Series	CCT & CRI	Controls/Dimming	Termination
F1 ProSite Floodlight F1 Model	B Cool White 5000K - 70 CRI	D 0-10V / DALI	U 6mm <sup>2</sup> Terminal Block - Screw Down*
	L Neutral White 4000K - 70 CRI	J Dialight IntelliLED Wireless Controls 2.4GHz	V 4mm <sup>2</sup> Terminal Block - Push Down
	W Warm White 2700K - 80 CRI	S Receptacle with Shorting Cap (non-hazardous only)	*The 6mm <sup>2</sup> terminals are only for the incoming power connections. The 6mm <sup>2</sup> terminals are single pole and cannot be used for 'through' wiring. The 6mm <sup>2</sup> terminals are not available for 347-480V models.
Certification	*Amber options available	Mounting Options	Finish
D UL 844		E 316 SS Angled Bracket	G Gray (RAL 7040)
U UL 1598 / CSA		F 316 SS Straight Bracket	Z Bronze (RAL 7022)
		S Slipfitter (1-1/4" - 2-3/8" OD)*	
		*For Slipfitter mounting UL844 models are only rated up to CID2 (A, B, C & D)	
Lens	Operating Voltage	Hardware	None
N Integrated PC Optic/Lens Only	2 120-277VAC / 120-250VDC	N No Option	N No Options
4 PC Lens Cover	5 347-480 VAC		
7 Glass Lens Cover	8 120-277VAC / 120-250VDC 10kV surge (non-hazardous only)		
	9 347-480 VAC 10kV surge (non-hazardous only)		
	Lumen Type		
	B 12,000 Lumens		
	C 18,000 Lumens		
	E 24,000 Lumens		
	F 30,000 Lumens		
Beam Distribution			
4 NEMA 4			
6 NEMA 6			
7 NEMA 7x6			
F Asymmetric*			

\*For Asymmetric beam distribution either a PC or Glass lens cover must be included

**DISCLAIMER.** All product information provided is, to the best of Dialight's knowledge, accurate as of the date of publication. When ordering, refer to [www.dialight.com](http://www.dialight.com) for current versions of: (a) relevant product documentation (including the relevant product data sheets); (b) Dialight terms and conditions of sale; and, (c) the relevant product warranty. To the extent that any contract is deemed formed between Dialight and the purchaser of Dialight products and/or an end-user, versions of documents available at [www.dialight.com](http://www.dialight.com) as at the date of sale shall be the versions incorporated therein. In the event of any discrepancy between this document or information provided at [www.dialight.com](http://www.dialight.com), the latter shall prevail.

# Ordering Information

## ProSite LED Floodlight - UL / CSA



Industrial - UL 1598 / CSA							
Part Number	Fixture Lumens	Wattage	lm/W	Voltage	CCT	Lens	Beam Distribution
<b>Lumen Output Family - 12,000lm</b>							
F1U-N7B2-BDEN-VGN	13,200	81	163	120-277VAC / 120-250VDC	5000k (cool white)	Integrated PC	NEMA 7x6
<b>F1U-N6B2-BDEN-VGN</b>	13,200	81	163	120-277VAC / 120-250VDC	5000k (cool white)	Integrated PC	NEMA 6
F1U-N4B2-BDEN-VGN	13,200	81	163	120-277VAC / 120-250VDC	5000k (cool white)	Integrated PC	NEMA 4
F1U-N7B5-BDEN-VGN	13,200	84	158	347-480VAC	5000k (cool white)	Integrated PC	NEMA 7x6
F1U-N6B5-BDEN-VGN	13,200	84	158	347-480VAC	5000k (cool white)	Integrated PC	NEMA 6
F1U-N4B5-BDEN-VGN	13,200	84	158	347-480VAC	5000k (cool white)	Integrated PC	NEMA 4
<b>Lumen Output Family - 18,000lm</b>							
F1U-N7B2-CDEN-VGN	19,100	124	154	120-277VAC / 120-250VDC	5000k (cool white)	Integrated PC	NEMA 7x6
<b>F1U-N6B2-CDEN-VGN</b>	19,100	124	154	120-277VAC / 120-250VDC	5000k (cool white)	Integrated PC	NEMA 6
F1U-N4B2-CDEN-VGN	19,100	124	154	120-277VAC / 120-250VDC	5000k (cool white)	Integrated PC	NEMA 4
F1U-N7B5-CDEN-VGN	19,100	128	149	347-480VAC	5000k (cool white)	Integrated PC	NEMA 7x6
<b>F1U-N6B5-CDEN-VGN</b>	19,100	128	149	347-480VAC	5000k (cool white)	Integrated PC	NEMA 6
F1U-N4B5-CDEN-VGN	19,100	128	149	347-480VAC	5000k (cool white)	Integrated PC	NEMA 4
<b>Lumen Output Family - 24,000lm</b>							
F1U-N7B2-EDEN-VGN	25,000	175	143	120-277VAC / 120-250VDC	5000k (cool white)	Integrated PC	NEMA 7x6
<b>F1U-N6B2-EDEN-VGN</b>	25,000	175	143	120-277VAC / 120-250VDC	5000k (cool white)	Integrated PC	NEMA 6
F1U-N4B2-EDEN-VGN	25,000	175	143	120-277VAC / 120-250VDC	5000k (cool white)	Integrated PC	NEMA 4
F1U-N7B5-EDEN-VGN	25,000	179	140	347-480VAC	5000k (cool white)	Integrated PC	NEMA 7x6
<b>F1U-N6B5-EDEN-VGN</b>	25,000	179	140	347-480VAC	5000k (cool white)	Integrated PC	NEMA 6
F1U-N4B5-EDEN-VGN	25,000	179	140	347-480VAC	5000k (cool white)	Integrated PC	NEMA 4
<b>Lumen Output Family - 30,000lm</b>							
F1U-N7B2-FDEN-VGN	31,600	234	135	120-277VAC / 120-250VDC	5000k (cool white)	Integrated PC	NEMA 7x6
F1U-N6B2-FDEN-VGN	31,600	234	135	120-277VAC / 120-250VDC	5000k (cool white)	Integrated PC	NEMA 6
F1U-N4B2-FDEN-VGN	31,600	234	135	120-277VAC / 120-250VDC	5000k (cool white)	Integrated PC	NEMA 4
F1U-N7B5-FDEN-VGN	31,600	237	133	347-480VAC	5000k (cool white)	Integrated PC	NEMA 7x6
F1U-N6B5-FDEN-VGN	31,600	237	133	347-480VAC	5000k (cool white)	Integrated PC	NEMA 6
F1U-N4B5-FDEN-VGN	31,600	237	133	347-480VAC	5000k (cool white)	Integrated PC	NEMA 4

All values typical unless otherwise stated (tolerance +/- 10%).

See ordering information chart for additional options.

Part numbers listed in **bold** are typically available in stock.

CCT - For 4000K 70 CRI change 6th character to 'L', for 2700K 80 CRI change 6th character to 'W'. Amber options available.

Lens - For glass lens cover change 4th character to '7', for PC lens cover change 4th character to a '4'.

Surge Protection - For 120-277 VAC / 120-250 VDC 10kV surge protection change 7th character to '8', for 347-480VAC 10kV surge protection change 7th character to '9'.

PE Cell - For NEMA PE Cell Receptacle with shorting cap change 9th character to 'S'.

Mounting Bracket - For straight bracket change 10th character to 'F', for slip fitter change 10th character to 'S'.

**WARNING - INSTALLATION & SECONDARY RETENTION.** Use of any Dialight products without proper installation (including secondary retention / netting) and periodic inspections could cause severe injury or death. Dialight recommends that all installations should use secondary retention / netting (appropriate to the installation environment) where applicable. It is the exclusive responsibility of the contractor, installer and/or end-user to: (a) determine the suitability of the product for its intended application; and, (b) ensure that the product is safely installed (with secondary retention / netting where appropriate) and in compliance with all applicable laws and regulations. To the extent permissible under applicable laws, Dialight disclaims all liability for personal injury and/or other damage resulting from any dislodgment or other dislocation of its products.

# Ordering Information

## ProSite LED Floodlight - UL / CSA



Hazardous - UL 844 CID2, CIID2, CIII							
Part Number	Fixture Lumens	Wattage	lm/W	Voltage	CCT	Lens	Beam Distribution
<b>Lumen Output Family - 12,000lm</b>							
F1D-77B2-BDEN-VGN	12,500	81	154	120-277VAC / 120-250VDC	5000k (cool white)	Glass	NEMA 7x6
<b>F1D-76B2-BDEN-VGN</b>	12,500	81	154	120-277VAC / 120-250VDC	5000k (cool white)	Glass	NEMA 6
F1D-74B2-BDEN-VGN	12,500	81	154	120-277VAC / 120-250VDC	5000k (cool white)	Glass	NEMA 4
F1D-77B5-BDEN-VGN	12,500	84	150	347-480VAC	5000k (cool white)	Glass	NEMA 7x6
F1D-76B5-BDEN-VGN	12,500	84	150	347-480VAC	5000k (cool white)	Glass	NEMA 6
F1D-74B5-BDEN-VGN	12,500	84	150	347-480VAC	5000k (cool white)	Glass	NEMA 4
<b>Lumen Output Family - 18,000lm</b>							
F1D-77B2-CDEN-VGN	18,000	124	145	120-277VAC / 120-250VDC	5000k (cool white)	Glass	NEMA 7x6
F1D-76B2-CDEN-VGN	18,000	124	145	120-277VAC / 120-250VDC	5000k (cool white)	Glass	NEMA 6
F1D-74B2-CDEN-VGN	18,000	124	145	120-277VAC / 120-250VDC	5000k (cool white)	Glass	NEMA 4
F1D-77B5-CDEN-VGN	18,000	128	141	347-480VAC	5000k (cool white)	Glass	NEMA 7x6
<b>F1D-76B5-CDEN-VGN</b>	18,000	128	141	347-480VAC	5000k (cool white)	Glass	NEMA 6
F1D-74B5-CDEN-VGN	18,000	128	141	347-480VAC	5000k (cool white)	Glass	NEMA 4
<b>Lumen Output Family - 24,000lm</b>							
F1D-77B2-EDEN-VGN	23,600	175	135	120-277VAC / 120-250VDC	5000k (cool white)	Glass	NEMA 7x6
F1D-76B2-EDEN-VGN	23,600	175	135	120-277VAC / 120-250VDC	5000k (cool white)	Glass	NEMA 6
F1D-74B2-EDEN-VGN	23,600	175	135	120-277VAC / 120-250VDC	5000k (cool white)	Glass	NEMA 4
F1D-77B5-EDEN-VGN	23,600	179	132	347-480VAC	5000k (cool white)	Glass	NEMA 7x6
<b>F1D-76B5-EDEN-VGN</b>	23,600	179	132	347-480VAC	5000k (cool white)	Glass	NEMA 6
F1D-74B5-EDEN-VGN	23,600	179	132	347-480VAC	5000k (cool white)	Glass	NEMA 4
<b>Lumen Output Family - 30,000lm</b>							
F1D-77B2-FDEN-VGN	29,900	234	128	120-277VAC / 120-250VDC	5000k (cool white)	Glass	NEMA 7x6
F1D-76B2-FDEN-VGN	29,900	234	128	120-277VAC / 120-250VDC	5000k (cool white)	Glass	NEMA 6
F1D-74B2-FDEN-VGN	29,900	234	128	120-277VAC / 120-250VDC	5000k (cool white)	Glass	NEMA 4
F1D-77B5-FDEN-VGN	29,900	237	126	347-480VAC	5000k (cool white)	Glass	NEMA 7x6
F1D-76B5-FDEN-VGN	29,900	237	126	347-480VAC	5000k (cool white)	Glass	NEMA 6
F1D-74B5-FDEN-VGN	29,900	237	126	347-480VAC	5000k (cool white)	Glass	NEMA 4

All values typical unless otherwise stated (tolerance +/- 10%).

See ordering information chart for additional options.

Part numbers listed in **bold** are typically available in stock.

CCT - For 4000K 70 CRI change 6th character to 'L', for 2700K 80 CRI change 6th character to 'W'.

Lens - For PC lens cover change 4th character to a '4' (CID2, CIII only).

Mounting Bracket - For straight bracket change 10th character to 'F', for slip fitter change 10th character to 'S'.

**DISCLAIMER.** All product information provided is, to the best of Dialight's knowledge, accurate as of the date of publication. When ordering, refer to [www.dialight.com](http://www.dialight.com) for current versions of: (a) relevant product documentation (including the relevant product data sheets); (b) Dialight terms and conditions of sale; and, (c) the relevant product warranty. To the extent that any contract is deemed formed between Dialight and the purchaser of Dialight products and/or an end-user, versions of documents available at [www.dialight.com](http://www.dialight.com) as at the date of sale shall be the versions incorporated therein. In the event of any discrepancy between this document or information provided at [www.dialight.com](http://www.dialight.com), the latter shall prevail.

# ProSite LED Floodlight - UL / CSA

## F2 Models



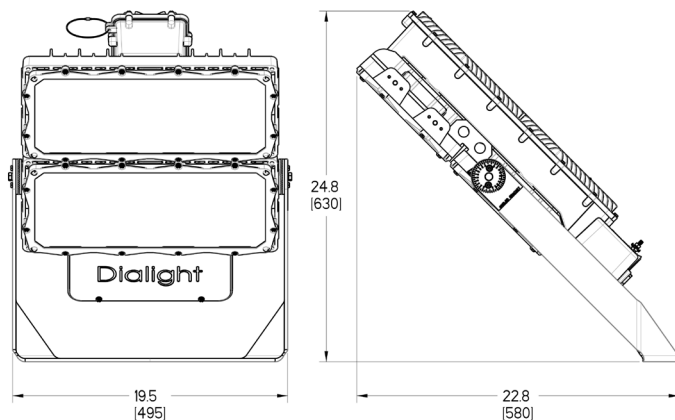
Patent Pending

### Certifications & Ratings

- 10 year warranty
- UL 1598/A / CSA C22.2 No. 250.0
- UL 844 / CSA C22.2 No. 137
  - Class I, Division 2 (Groups A, B, C, D)
  - Class I, Zone 2 (Groups IIC)
  - Class II, Division 2 (Groups E, F, G)
  - Zone 22
  - Class III
  - CIID1 - Pending\*
- IP66/67, NEMA 4X
- IK10 (integrated PC optic/lens/lens cover), IK08 (glass lens cover)
- L70 > 150,000 hours @ 25°C ambient
- DLC/DLC Premium - selected models

\*Values based on preliminary data awaiting validation or certification.

### Angled Bracket



Dimensions in inches [mm]

### Mechanical Information:

- Fixture weight:** 43 - 54 lbs
- Shipping weight:** ~56 lbs
- EPA (sq. ft):** 3.33
- Mounting:** 316 stainless steel straight bracket  
(all with 7.5° tilting increments) 316 stainless steel angled bracket
- Cable entry:** 2 x 3/4" NPT

### Electrical Specifications:

- Operating voltage:** 120-277VAC / 120-250VDC  
347-480 VAC
- Operating temp:** -40°F to +149°F (-40°C to +65°C)  
-40°F to +131°F (-40°C to +55°C) - 60klm
- EMC:** CISPR 15  
FCC 47CFR 15  
IEC 61000-3-3  
IEC 61547  
IEC 61000-3-2
- Transient protection:** 6KV/3KA combination wave, as per IEEE C62.41, line-line and line-ground.  
10kV/5kA for non-hazardous models
- Optional:**
- THD:** < 20%
- Power Factor:** > 0.9
- Dimming:** Wireless dimming controls via Dialight IntelliLED (up to 36k only), DALI 2.0 compatible (up to 36k only) / 0-10VDC

### Construction:

- Housing:** A360 Die-cast aluminum
- Hardware:** 316 stainless steel
- Finish:** Superior epoxy and polyester dual coat finish
- Lens:** Integrated PC Optic/Lens, Glass Lens Cover, PC Lens Cover

### Photometric Information:

- CRI:** 70 (80 optional)
- CCT:** 5000K (cool white)  
4000K (neutral white)  
2700K (warm white) - 80 CRI
- Beam pattern:** NEMA 4  
NEMA 6  
NEMA 7x6  
Asymmetric
- IES files:** Available at [www.dialight.com](http://www.dialight.com)

All values typical unless otherwise stated (tolerance +/- 10%)

### Temperature Ratings

Ambient Temperature T-Code: T4	Ambient Temperature T-Code: T4A
-40°F to +149°F (-40°C to +65°C)	-40°F to +131°F (-40°C to +55°C)

**WARNING - INSTALLATION & SECONDARY RETENTION.** Use of any Dialight products without proper installation (including secondary retention / netting) and periodic inspections could cause severe injury or death. Dialight recommends that all installations should use secondary retention / netting (appropriate to the installation environment) where applicable. It is the exclusive responsibility of the contractor, installer and/or end-user to: (a) determine the suitability of the product for its intended application; and, (b) ensure that the product is safely installed (with secondary retention / netting where appropriate) and in compliance with all applicable laws and regulations. To the extent permissible under applicable laws, Dialight disclaims all liability for personal injury and/or other damage resulting from any dislodgment or other dislocation of its products.

# ProSite LED Floodlight - UL / CSA

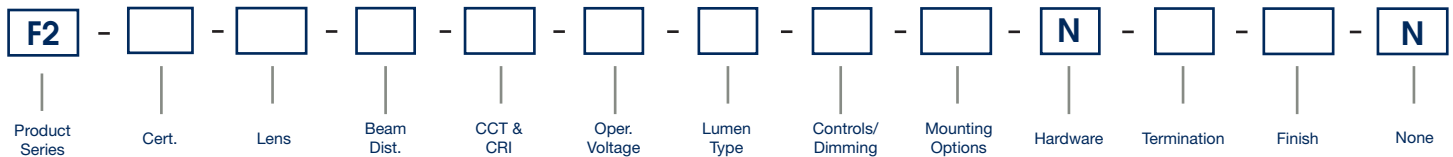
## F2 Models



Project Information	
Part Number:	
Project:	
Fixture Type:	Date:

Specifications

### Ordering Information



Product Series
F2 ProSite Floodlight F2 Model

Certification
D UL 844
U UL 1598 / CSA

CCT & CRI
B Cool White 5000K - 70 CRI
L Neutral White 4000K - 70 CRI
W Warm White 2700K - 80 CRI

\*Amber options available

Controls/Dimming
D 0-10V / DALI as standard (DALI available up to 36klm models)
J Dialight IntelliLED Wireless Controls 2.4GHz (Available up to 36klm models)
S Receptacle with Shorting Cap (non-hazardous only)

Termination
U 6mm <sup>2</sup> Terminal Block - Screw Down*
V 4mm <sup>2</sup> Terminal Block - Push Down

\*The 6mm<sup>2</sup> terminals are only for the incoming power connections. The 6mm<sup>2</sup> terminals are single pole and cannot be used for 'through' wiring. The 6mm<sup>2</sup> terminals are not available for 347-480V models.

Lens
N Integrated PC Optic/Lens Only
4 PC Lens Cover
7 Glass Lens Cover

Operating Voltage
2 120-277VAC / 120-250VDC
5 347-480 VAC
8 120-277VAC / 120-250VDC 10kV surge (non-hazardous only)
9 347-480 VAC 10kV surge (non-hazardous only)

Mounting Options
E 316 SS Angled Bracket
F 316 SS Straight Bracket

Finish
G Gray (RAL 7040)
Z Bronze (RAL 7022)

Beam Distribution
4 NEMA 4
6 NEMA 6
7 NEMA 7x6
F Asymmetric

Lumen Type
F 30,000 Lumens
H 36,000 Lumens
L 48,000 Lumens
N 60,000 Lumens

Hardware
N No Option

Battery
N No Options

\*For Asymmetric beam distribution either a PC or Glass lens cover must be included

**DISCLAIMER.** All product information provided is, to the best of Dialight's knowledge, accurate as of the date of publication. When ordering, refer to [www.dialight.com](http://www.dialight.com) for current versions of: (a) relevant product documentation (including the relevant product data sheets); (b) Dialight terms and conditions of sale; and, (c) the relevant product warranty. To the extent that any contract is deemed formed between Dialight and the purchaser of Dialight products and/or an end-user, versions of documents available at [www.dialight.com](http://www.dialight.com) as at the date of sale shall be the versions incorporated therein. In the event of any discrepancy between this document or information provided at [www.dialight.com](http://www.dialight.com), the latter shall prevail.

# Ordering Information

## ProSite LED Floodlight - UL / CSA



Industrial - UL 1598 / CSA							
Part Number	Fixture Lumens	Wattage	lm/W	Voltage	CCT	Lens	Beam Distribution
<b>Lumen Output Family - 36,000lm</b>							
F2U-N7B2-HDEN-VGN	37,500	234	160	120-277VAC / 120-250VDC	5000k (cool white)	Integrated PC	NEMA 7x6
F2U-N6B2-HDEN-VGN	37,500	234	160	120-277VAC / 120-250VDC	5000k (cool white)	Integrated PC	NEMA 6
F2U-N4B2-HDEN-VGN	37,500	234	160	120-277VAC / 120-250VDC	5000k (cool white)	Integrated PC	NEMA 4
F2U-N7B5-HDEN-VGN	37,500	241	155	347-480VAC	5000k (cool white)	Integrated PC	NEMA 7x6
F2U-N6B5-HDEN-VGN	37,500	241	155	347-480VAC	5000k (cool white)	Integrated PC	NEMA 6
F2U-N4B5-HDEN-VGN	37,500	241	155	347-480VAC	5000k (cool white)	Integrated PC	NEMA 4
<b>Lumen Output Family - 48,000lm</b>							
F2U-N7B8-LDEN-VGN	51,000	346	147	120-277VAC / 120-250VDC	5000k (cool white)	Integrated PC	NEMA 7x6
<b>F2U-N6B8-LDEN-VGN</b>	51,000	346	147	120-277VAC / 120-250VDC	5000k (cool white)	Integrated PC	NEMA 6
F2U-N4B8-LDEN-VGN	51,000	346	147	120-277VAC / 120-250VDC	5000k (cool white)	Integrated PC	NEMA 4
F2U-N7B9-LDEN-VGN	51,000	357	143	347-480VAC	5000k (cool white)	Integrated PC	NEMA 7x6
<b>F2U-N6B9-LDEN-VGN</b>	51,000	357	143	347-480VAC	5000k (cool white)	Integrated PC	NEMA 6
F2U-N4B9-LDEN-VGN	51,000	357	143	347-480VAC	5000k (cool white)	Integrated PC	NEMA 4
<b>Lumen Output Family - 60,000lm</b>							
F2U-N7B8-NDEN-VGN	65,000	484	134	120-277VAC / 120-250VDC	5000k (cool white)	Integrated PC	NEMA 7x6
<b>F2U-N6B8-NDEN-VGN</b>	65,000	484	134	120-277VAC / 120-250VDC	5000k (cool white)	Integrated PC	NEMA 6
F2U-N4B8-NDEN-VGN	65,000	484	134	120-277VAC / 120-250VDC	5000k (cool white)	Integrated PC	NEMA 4
F2U-7FB8-NDEN-VGN	60,100	484	124	120-277VAC / 120-250VDC	5000k (cool white)	Glass	Asymmetric
F2U-N7B9-NDEN-VGN	65,000	499	130	347-480VAC	5000k (cool white)	Integrated PC	NEMA 7x6
<b>F2U-N6B9-NDEN-VGN</b>	65,000	499	130	347-480VAC	5000k (cool white)	Integrated PC	NEMA 6
F2U-N4B9-NDEN-VGN	65,000	499	130	347-480VAC	5000k (cool white)	Integrated PC	NEMA 4
F2U-7FB9-NDEN-VGN	60,100	499	120	347-480VAC	5000k (cool white)	Glass	Asymmetric

All values typical unless otherwise stated (tolerance +/- 10%).

See ordering information chart for additional options.

Part numbers listed in **bold** are typically available in stock.

CCT - For 4000K 70 CRI change 6th character to 'L', for 2700K 80 CRI change 6th character to 'W'. Amber options available.

Lens - For glass lens cover change 4th character to '7', for PC lens cover change 4th character to a '4'.

Surge Protection - For 120-277VAC/120-250VDC 10kV surge protection change 7th character to '8', for 347-480VAC 10kV surge protection change 7th character to '9'.

PE Cell - For NEMA PE Cell Receptacle with shorting cap change 9th character to 'S'.

Mounting Bracket - For straight bracket change 10th character to 'F'.

**WARNING - INSTALLATION & SECONDARY RETENTION.** Use of any Dialight products without proper installation (including secondary retention / netting) and periodic inspections could cause severe injury or death. Dialight recommends that all installations should use secondary retention / netting (appropriate to the installation environment) where applicable. It is the exclusive responsibility of the contractor, installer and/or end-user to: (a) determine the suitability of the product for its intended application; and, (b) ensure that the product is safely installed (with secondary retention / netting where appropriate) and in compliance with all applicable laws and regulations. To the extent permissible under applicable laws, Dialight disclaims all liability for personal injury and/or other damage resulting from any dislodgment or other dislocation of its products.

# Ordering Information

## ProSite LED Floodlight - UL / CSA



Hazardous - UL 844 CID2, CIID2, CIII							
Part Number	Fixture Lumens	Wattage	lm/W	Voltage	CCT	Lens	Beam Distribution
<b>Lumen Output Family - 36,000lm</b>							
F2D-77B2-HDEN-VGN	35,400	234	151	120-277VAC / 120-250VDC	5000k (cool white)	Glass	NEMA 7x6
F2D-76B2-HDEN-VGN	35,400	234	151	120-277VAC / 120-250VDC	5000k (cool white)	Glass	NEMA 6
F2D-74B2-HDEN-VGN	35,400	234	151	120-277VAC / 120-250VDC	5000k (cool white)	Glass	NEMA 4
F2D-77B5-HDEN-VGN	35,400	241	147	347-480VAC	5000k (cool white)	Glass	NEMA 7x6
F2D-76B5-HDEN-VGN	35,400	241	147	347-480VAC	5000k (cool white)	Glass	NEMA 6
F2D-74B5-HDEN-VGN	35,400	241	147	347-480VAC	5000k (cool white)	Glass	NEMA 4
<b>Lumen Output Family - 48,000lm</b>							
F2D-77B2-LDEN-VGN	48,200	346	139	120-277VAC / 120-250VDC	5000k (cool white)	Glass	NEMA 7x6
F2D-76B2-LDEN-VGN	48,200	346	139	120-277VAC / 120-250VDC	5000k (cool white)	Glass	NEMA 6
F2D-74B2-LDEN-VGN	48,200	346	139	120-277VAC / 120-250VDC	5000k (cool white)	Glass	NEMA 4
F2D-77B5-LDEN-VGN	48,200	357	135	347-480VAC	5000k (cool white)	Glass	NEMA 7x6
F2D-76B5-LDEN-VGN	48,200	357	135	347-480VAC	5000k (cool white)	Glass	NEMA 6
F2D-74B5-LDEN-VGN	48,200	357	135	347-480VAC	5000k (cool white)	Glass	NEMA 4
<b>Lumen Output Family - 60,000lm</b>							
F2D-77B2-NDEN-VGN	61,400	484	127	120-277VAC / 120-250VDC	5000k (cool white)	Glass	NEMA 7x6
F2D-76B2-NDEN-VGN	61,400	484	127	120-277VAC / 120-250VDC	5000k (cool white)	Glass	NEMA 6
F2D-74B2-NDEN-VGN	61,400	484	127	120-277VAC / 120-250VDC	5000k (cool white)	Glass	NEMA 4
F2D-7FB2-NDEN-VGN	60,100	484	124	120-277VAC / 120-250VDC	5000k (cool white)	Glass	Asymmetric
F2D-77B5-NDEN-VGN	61,400	499	123	347-480VAC	5000k (cool white)	Glass	NEMA 7x6
F2D-76B5-NDEN-VGN	61,400	499	123	347-480VAC	5000k (cool white)	Glass	NEMA 6
F2D-74B5-NDEN-VGN	61,400	499	123	347-480VAC	5000k (cool white)	Glass	NEMA 4
F2D-7FB5-NDEN-VGN	60,100	499	120	347-480VAC	5000k (cool white)	Glass	Asymmetric

All values typical unless otherwise stated (tolerance +/- 10%).

See ordering information chart for additional options.

CCT - For 4000K 70 CRI change 6th character to 'L', for 2700K 80 CRI change 6th character to 'W'.

Lens - For PC lens cover change 4th character to a '4' (CID2, CIII only).

Mounting Bracket - For straight bracket change 10th character to 'F'.

**DISCLAIMER.** All product information provided is, to the best of Dialight's knowledge, accurate as of the date of publication. When ordering, refer to [www.dialight.com](http://www.dialight.com) for current versions of: (a) relevant product documentation (including the relevant product data sheets); (b) Dialight terms and conditions of sale; and, (c) the relevant product warranty. To the extent that any contract is deemed formed between Dialight and the purchaser of Dialight products and/or an end-user, versions of documents available at [www.dialight.com](http://www.dialight.com) as at the date of sale shall be the versions incorporated therein. In the event of any discrepancy between this document or information provided at [www.dialight.com](http://www.dialight.com), the latter shall prevail.

# Reliant™ LED High Bay

100-277 VAC, 347-480 VAC



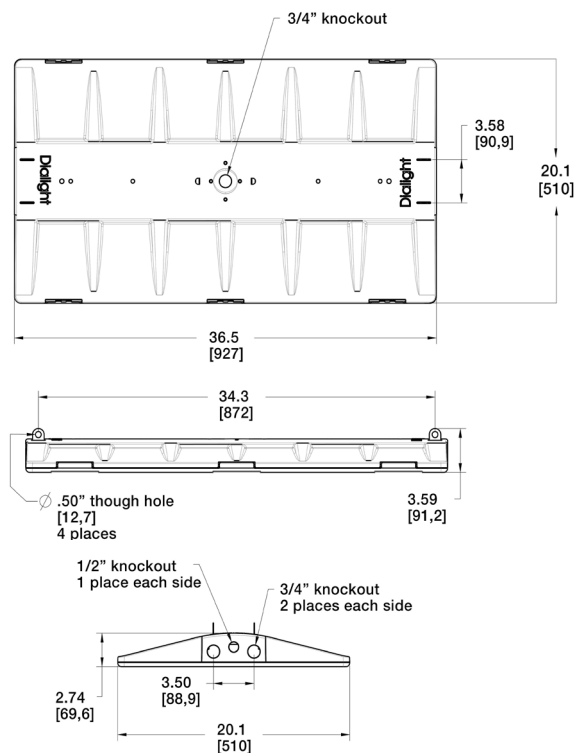
## Certifications & Ratings

- UL 1598
- UL 8750
- CSA C22.2 No. 250.0
- Damp location
- L90 rated for >100,000 hours @ 25°C
- DLC Standard & Premium
- Title 24 compliant

## Features & Benefits

- 10 year warranty
- Up to 160 lm/W
- 10% up-light accessory available (most models)
- Modular configuration
- Field replaceable parts available
- Controls enabled

\*Awaiting validation or certification



Dimensions in inches [mm]

## Mechanical Information:

### Fixture weight:

Single unit: 18 lb\* (polycarbonate, 120 VAC version)  
Tandem unit: 41 lb\* (polycarbonate, 120 VAC version)

\*Base models only - does not include add on accessories (surge, battery backup, sensor) - estimated additional 3 lb

### Mounting:

**Mounting:** Cable/chain  
Pendant mount kit available (see mounting accessories section on page 17)

**Mounting tabs:** 2 per side

**Cable entries:** 3/4" knockout - 2 per side, 1 top  
1/2" knockout - 1 per side

**Wiring:** 8" of flying leads within wiring cavity

### Materials:

**Housing:** Halogen free polycarbonate

**Lens:** Tempered glass, polycarbonate or acrylic

**Mounting tabs:** 304 stainless steel

**Fixture color:** Grey  
Consult factory for additional color options

## Electrical Specifications:

**Operating voltage:** 100-277 VAC  
347-480 VAC

**Operating temperature:** -40°F to +131°F (-40°C to +55°C)  
**Battery backup:** +50°F to +95°F (10°C to +35°C)

**Total system power consumption:** See table

**EMC:** FCC Title 47, Subpart B, Section 15, Class A

**Transient protection:**  
100-277 VAC: 6kV (10kV optional)  
347-480 VAC: 10kV

**THD:** <20%

**Power factor:** >0.9

**Variable dimming:** 0-10 VDC

**Dimming range:** 100%-5%

## Photometric Information:

**CRI:** 80  
Consult factory for more options available

**CCT:** 5000K (cool white)  
4000K (neutral white)  
Consult factory for more options available

All values typical unless otherwise stated (tolerance +/- 10%)

**WARNING - INSTALLATION & SECONDARY RETENTION.** Use of any Dialight products without proper installation (including secondary retention / netting) and periodic inspections could cause severe injury or death. Dialight recommends that all installations should use secondary retention / netting (appropriate to the installation environment) where applicable. It is the exclusive responsibility of the contractor, installer and/or end-user to: (a) determine the suitability of the product for its intended application; and, (b) ensure that the product is safely installed (with secondary retention / netting where appropriate) and in compliance with all applicable laws and regulations. To the extent permissible under applicable laws, Dialight disclaims all liability for personal injury and/or other damage resulting from any dislodgment or other dislocation of its products.

# Ordering Information

## Reliant™ LED High Bay - 100-277 VAC, 347-480 VAC



### Most Popular Variants (consult factory for other options)

Part Number	Form Factor	Fixture Lumens	Wattage	lm/W	Lens	Beam Distribution	Controls
<b>100-277 VAC Models</b>							
RHU-5MC2-CDCN-NGN	Single	16,200	123	132	Diffused Polycarbonate	Medium	Dimming
RHU-5MC2-CFCN-NGN	Single	16,200	123	132	Diffused Polycarbonate	Medium	Occupancy Sensor
RHU-7MC2-CDCN-NGN	Single	18,000	123	146	Tempered Glass	Medium	Dimming
RHU-7MC2-CFCN-NGN	Single	18,000	123	146	Tempered Glass	Medium	Occupancy Sensor
RHU-5MC2-EDCN-NGN	Single	21,100	163	129	Diffused Polycarbonate	Medium	Dimming
RHU-7MC2-EDCN-NGN	Single	23,520	163	144	Tempered Glass	Medium	Dimming
RHU-5MC2-FDCN-NGN	Single	26,400	199	133	Diffused Polycarbonate	Medium	Dimming
RHU-7AC2-FDCN-NGN	Single	29,400	199	148	Tempered Glass	Aisle	Dimming
RHU-7MC2-FDCN-NGN	Single	29,400	199	148	Tempered Glass	Medium	Dimming
RHU-7MC2-FFCN-NGN	Single	29,400	199	148	Tempered Glass	Medium	Occupancy Sensor
RHU-5MC2-HDCN-NGN	Single	31,500	239	132	Diffused Polycarbonate	Medium	Dimming
RHU-7MC2-HDCN-NGN	Single	34,500	239	144	Tempered Glass	Medium	Dimming
RHU-7MC2-LDEN-NGN	Tandem Side By Side	47,000	325	145	Tempered Glass	Medium	Dimming
RHU-7MC2-LDDN-NGN	Tandem End To End	47,000	325	145	Tempered Glass	Medium	Dimming
RHU-7MC2-NDEN-NGN	Tandem Side By Side	58,800	398	148	Tempered Glass	Medium	Dimming
RHU-7MC2-NDDN-NGN	Tandem End To End	58,800	398	148	Tempered Glass	Medium	Dimming
RHU-7MC2-RDEN-NGN	Tandem Side By Side	69,000	478	144	Tempered Glass	Medium	Dimming
<b>100-277 VAC Battery Backup Models</b>							
RHU-7MC2-CDCN-NGF	Single	18,000	123	146	Tempered Glass	Medium	Dimming
RHU-7MC2-FDCN-NGF	Single	29,400	199	148	Tempered Glass	Medium	Dimming
<b>347-480 VAC Models</b>							
RHU-5MC9-CDCN-NGN	Single	16,200	125	130	Diffused Polycarbonate	Medium	Dimming
RHU-7MC9-EDCN-NGN	Single	23,500	166	142	Tempered Glass	Medium	Dimming
RHU-5MC9-FDCN-NGN	Single	26,400	203	130	Diffused Polycarbonate	Medium	Dimming
RHU-7MC9-FDCN-NGN	Single	29,400	203	145	Tempered Glass	Medium	Dimming
RHU-7MC9-HDCN-NGN	Single	34,550	244	142	Tempered Glass	Medium	Dimming
RHU-7MC9-LDEN-NGN	Tandem Side By Side	47,000	331	142	Tempered Glass	Medium	Dimming
RHU-7MC9-NDEN-NGN	Tandem Side By Side	58,800	406	145	Tempered Glass	Medium	Dimming
RHU-7MC9-RDEN-NGN	Tandem Side By Side	69,100	487	142	Tempered Glass	Medium	Dimming
RHU-7MC9-RDDN-NGN	Tandem End To End	69,100	487	142	Tempered Glass	Medium	Dimming

All values typical unless otherwise stated (tolerance +/- 10%)

**DISCLAIMER.** All product information provided is, to the best of Dialight's knowledge, accurate as of the date of publication. When ordering, refer to [www.dialight.com](http://www.dialight.com) for current versions of: (a) relevant product documentation (including the relevant product data sheets); (b) Dialight terms and conditions of sale; and, (c) the relevant product warranty. To the extent that any contract is deemed formed between Dialight and the purchaser of Dialight products and/or an end-user, versions of documents available at [www.dialight.com](http://www.dialight.com) as at the date of sale shall be the versions incorporated therein. In the event of any discrepancy between this document or information provided at [www.dialight.com](http://www.dialight.com), the latter shall prevail.

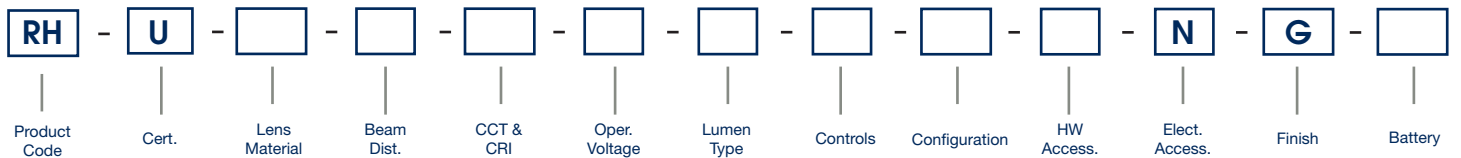
# Ordering Information

## Reliant™ LED High Bay - 100-277 VAC, 347-480 VAC



Project Information			Specifications		
Part Number:					
Project:					
Fixture Type:		Date:			

### Ordering Information



Product Code	Beam Distribution	Lumen Type	Hardware Accessories
RH Reliant™ High Bay	A Aisle	C 18,000 Lumens	N No Cord
	M Medium	E 23,500 Lumens	2 6' 18-3 STOOV Power Cord
	P Aisle Distribution with 10% Up-Light (Factory Installed)	F 29,400 Lumens	3 12' 18-3 STOOV Power Cord
	Q Medium Distribution with 10% Up-Light (Factory Installed)	H 34,600 Lumens	
	* Field installable up-light accessory available	<b>Tandem Models</b>	<b>Electrical Accessories</b>
<b>Certification</b>		L 47,000 Lumens	N No Option
U UL 1598, CSA		N 58,800 Lumens	
		R 69,100 Lumens	
	<b>CCT &amp; CRI</b>	<b>Controls</b>	<b>Finish</b>
<b>Lens Material</b>	C Cool White 5000K - 80 CRI	D Dimming (0-10V)	G Gray
2 Acrylic - Clear	N Neutral White 4000K - 80 CRI	F Occupancy Sensor FSP-212	
4 Polycarbonate - Clear		G Occupancy Sensor, Bluetooth FSP-321B	
5 Polycarbonate - Diffused	<b>Operating Voltage</b>	J IntelliLED™ Wireless Controls	<b>Battery</b>
7 Tempered Glass - Clear	2 100-277 VAC, 6kV Surge Protection		F Standard Battery Backup - 5W
	8 100-277 VAC, 10kV Surge Protection	<b>Configuration</b>	G Battery Backup - 10W
	9 347-480 VAC, 10kV Surge Protection	C Single	N No Option
		D Tandem End to End	
		E Tandem Side by Side	

Notes
1) Lumen type based on using a glass lens, medium optic, cool white, 80 CRI. See tables for lumens when changing options.
2) For Lumen types L, N, R, use Mounting Option D - Tandem End to End or E - Tandem Side by Side.
3) Up-light accessory available with Lumen Type - C, E, F, L, N models only.
4) Hardware accessories not available on battery back-up models.

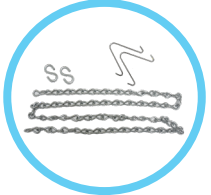
**DISCLAIMER.** All product information provided is, to the best of Dialight's knowledge, accurate as of the date of publication. When ordering, refer to [www.dialight.com](http://www.dialight.com) for current versions of: (a) relevant product documentation (including the relevant product data sheets); (b) Dialight terms and conditions of sale; and, (c) the relevant product warranty. To the extent that any contract is deemed formed between Dialight and the purchaser of Dialight products and/or an end-user, versions of documents available at [www.dialight.com](http://www.dialight.com) as at the date of sale shall be the versions incorporated therein. In the event of any discrepancy between this document or information provided at [www.dialight.com](http://www.dialight.com), the latter shall prevail.

# Mounting Accessories



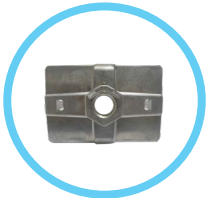
**RH-MCAB-5 (6' option)**  
**RH-MCAB-10 (10' option)**  
**RH-MCAB-15 (16' option)**  
**RH-MCAB-20 (22' option)**

- Wire rope hanging kit
- Includes electro-galvanized 2mm steel looped end wires (2x), wire locking devices (2x) & v-hangers (2x)



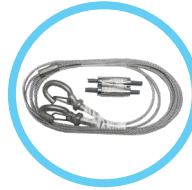
**RH-CHAIN-3 (3' option)**  
**RH-CHAIN-4 (4' option)**  
**RH-CHAIN-6 (6' option)**

- Jack chain hanging kit
- Includes #12 steel chains (2x), s-hooks (4x), and v-hangers (2x)
- For use with single configured models only



**RH-PENDANT-BRKT**

- 3/4" NPT pendant mount kit
- Includes low copper A360 aluminum die cast adapter and hardware
- For use with single configured models only



**RH-YCAB-5 (6' option)**  
**RH-YCAB-10 (10' option)**  
**RH-YCAB-20 (22' option)**

- Wire rope hanging kit
- Includes electro-galvanized 2mm steel y-hook wires (2x) and wire locking devices (2x)



**RH-VHANGER**

- 304 stainless steel v-hangers (2x)



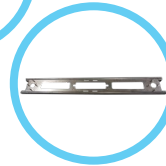
**HBXCAB48**

- 48" long stainless steel safety securing wire rope (2x)



**RH-TANBRKT-SBS**

- Side-by-side tandem kit
- Includes 304 stainless steel brackets, hardware, and wire harnesses



**RH-TANBRKT-E2E**

- End-to-end tandem kit
- Includes 304 stainless steel brackets, hardware, and wire harnesses

# Additional Accessories

For use as replacement parts or for field customized projects.



**RH-WIRELESS-1**

- IntelliLED wireless control kit
- 2x required for tandem models



**RH-WS-OCC-321**

- WattStopper FSP-321 occupancy sensor kit
- 100-347 VAC (single phase) or 208/230/480 VAC (phase-to-phase) models
- Configurable and adjustable via Legrand's Bluetooth enable app.
- PIR (Passive Inferred) occupancy sensing / daylight harvesting
- Time delay: 5 min.-30 min.; default 15 minute
- Maximum coverage 100' diameter from 40' height



**RH-WS-OCC-212**

- WattStopper FSP-212 occupancy sensor kit
- 120/277 VAC models
- Adjustable via dipswitch on sensor
- PIR (Passive Inferred) occupancy sensing / daylight harvesting
- Time delay: 30 sec.-30 min.; default 15 minute
- Maximum coverage 100' diameter from 40' height



**RH-UPL-CWC (CW)**  
**RH-UPL-NWC (NW)**

- Direct up-lighting kit - set of 2
- For use with 30K, 60K models



**RH-UPL-CWC (CW)**  
**RH-UPL-NWC (NW)**

- Direct up-lighting kit - set of 2
- For use with 18k, 24k, 48K models



**RH-10KV-277**

- 100-277 VAC Littelfuse LSP10 surge protection kit

**RH-10KV-480**

- 347-480 VAC Littelfuse LSP10 surge protection kit



**RH-EBU-800\***

- 5W battery backup kit (~800 lumens)
- Fulham FHSCP-UNV-10P-L-SD driver
- Fulham FHSBATL3-1.5-SD battery pack

**RH-EBU-1500\***

- 10W battery backup kit (~1,500 lumens)
- Fulham FHSCP-UNV-10P-L-SD driver
- Fulham FHSBATL3-3-SD battery pack

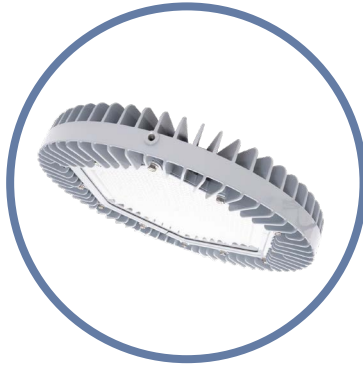
\*Factory installed power cord is not available with Battery Back-up option

DISCLAIMER. All product information provided is, to the best of Dialight's knowledge, accurate as of the date of publication. When ordering, refer to [www.dialight.com](http://www.dialight.com) for current versions of: (a) relevant product documentation (including the relevant product data sheets); (b) Dialight terms and conditions of sale; and, (c) the relevant product warranty. To the extent that any contract is deemed formed between Dialight and the purchaser of Dialight products and/or an end-user, versions of documents available at [www.dialight.com](http://www.dialight.com) as at the date of sale shall be the versions incorporated therein. In the event of any discrepancy between this document or information provided at [www.dialight.com](http://www.dialight.com), the latter shall prevail.

# Vigilant® Ultra-Efficient LED High Bay - UL / CSA

## Technical Information

### Corded Model



#### Mechanical Information:

**Fixture weight:**  
18 lbs (8.16kg)

**Shipping weight:**  
24 lbs (10.8kg)

**Mounting:**  
3/4" NPT - top  
Various Kits

**Power Cord:**  
10' 18 AWG STOOW / SOOW

Patent pending

#### Certifications & Ratings:

10 year warranty

UL 1598/A	CSA C22.2 No. 250.0-08
UL 8750	NEMA 4X
IP66/67	L70 rated for >150,000 hours

#### Variable Dimming:

**Variable Dimming Control:** 0-10 VDC

**Dimming Range:** 10 VDC = 100% light output  
0 VDC = <10% light output

#### Electrical Specifications:

**Operating Voltage:** 100-277 VAC, 120-250 VDC  
347-480 VAC

**Total system power consumption:** See table

**Operating Temp:** -40°F to +149°F (-40°C to +65°C)

**Harmonics:** IEC 61000-3-2 Class C

**Noise requirement /EMC:** FCC Title 47, Subpart B, Section 15, class A device. RF Immunity; 10V/m, 80MHz-1GHz

**Transient protection:** 100-277 VAC models tested to withstand up to 8kV/4kA per IEEE C62.41.  
347-480 VAC models tested to withstand up to 6kV/3kA per IEEE C62.41

**THD:** <20%

**Power Factor:** >0.9

**Fusing:** Internal

#### Construction:

**Housing:** Copper free aluminum

**Finish:** Superior dual coat finish  
Sealed polyester topcoat  
Chemical-resistant epoxy primer

**Lens:** See table

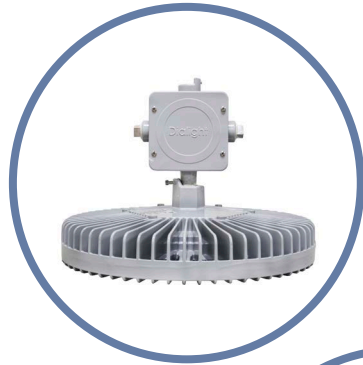
#### Photometric Information:

**CRI:** 80, 70

**CCT:** 5000K (cool white)  
4000K (neutral white)

All values typical unless otherwise stated (tolerance +/- 10%)

### Integrated Wiring Box Model



#### Mechanical Information:

**Fixture weight:**  
20 lbs (9 kg)

**Shipping weight:**  
26 lbs (12 kg)

**Mounting:**  
3/4" NPT or Hook

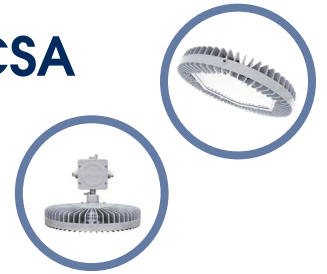
**Wiring Box Cable Entries:**  
(2x) 3/4" NPT



**WARNING - INSTALLATION & SECONDARY RETENTION.** Use of any Dialight products without proper installation (including secondary retention / netting) and periodic inspections could cause severe injury or death. Dialight recommends that all installations should use secondary retention / netting (appropriate to the installation environment) where applicable. It is the exclusive responsibility of the contractor, installer and/or end-user to: (a) determine the suitability of the product for its intended application; and, (b) ensure that the product is safely installed (with secondary retention / netting where appropriate) and in compliance with all applicable laws and regulations. To the extent permissible under applicable laws, Dialight disclaims all liability for personal injury and/or other damage resulting from any dislodgment or other dislocation of its products.

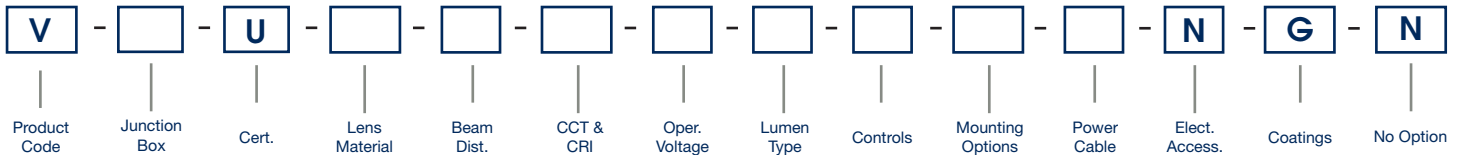
# Vigilant® Ultra-Efficient LED High Bay - UL / CSA

## Ordering Information



Project Information		Specifications	
Part Number:			
Project:			
Fixture Type:		Date:	

## Ordering Information



Product Code	CCT & CRI	Controls	Electrical Accessories*
V Vigilant® Ultra-Efficient	B Cool White 5000K - 70 CRI	D Continuous Dimming	N No Plug
	C Cool White 5000K - 80 CRI	J IntelliLED Wireless	*Cord & plug options available upon request
Junction Box	Operating Voltage	Mounting Options	Coatings
C Wiring Box	2 100-277 VAC / 120-250 VDC	H Hook	G Gray (RAL 7040)
E No Junction Box	5 347-480 VAC	N 3/4" NPT	
Certification	Lumen Type <sup>1</sup>	Power Cable	Option
U UL 1598/A, CSA, NOM	A 12,100 Lumens	N No Cord (Wiring Box only)	N No Option
Lens Material	B 15,000 Lumens	W 10' [3 meter] Power Cable	
4 Polycarbonate - Clear	C 19,100 Lumens		
7 Tempered Glass - Clear	E 26,300 Lumens		
L Polycarbonate Dome - Diffused	F 30,900 Lumens		
Beam Distribution	H 35,700 Lumens		
E Aisle	J 41,300 Lumens		
M Medium			
N Narrow			
R High Efficacy Round			

Notes
1) Lumen type based on using a glass lens, round optic, 70 CRI. See page 14 for output of other options.
2) Occupancy Sensor models are dry locations only and are IP6X rated with a -20°C to +65°C ambient temperature range.

**DISCLAIMER.** All product information provided is, to the best of Dialight's knowledge, accurate as of the date of publication. When ordering, refer to [www.dialight.com](http://www.dialight.com) for current versions of: (a) relevant product documentation (including the relevant product data sheets); (b) Dialight terms and conditions of sale; and, (c) the relevant product warranty. To the extent that any contract is deemed formed between Dialight and the purchaser of Dialight products and/or an end-user, versions of documents available at [www.dialight.com](http://www.dialight.com) as at the date of sale shall be the versions incorporated therein. In the event of any discrepancy between this document or information provided at [www.dialight.com](http://www.dialight.com), the latter shall prevail.

# Vigilant® Ultra-Efficient LED High Bay - UL / CSA

## Ordering Information - Corded Model



### Corded Model - 3/4" Conduit - 100-277 VAC / 120-250 VDC

Part Number	Lumens	Wattage	lm/W	CCT, CRI	Lens	Beam Distribution	Hardware Options	Wiring
VEU-7NC2-JNNW-NGN	38,200	230	166	CW, 80CRI	Glass	Narrow	Pendant 3/4" NPT	10' Power Cable
VEU-7MC2-JNNW-NGN	37,400	230	163	CW, 80CRI	Glass	Medium	Pendant 3/4" NPT	10' Power Cable
VEU-7MC2-HNNW-NGN	32,300	195	166	CW, 80CRI	Glass	Medium	Pendant 3/4" NPT	10' Power Cable
VEU-7MC2-FNNW-NGN	28,000	165	170	CW, 80CRI	Glass	Medium	Pendant 3/4" NPT	10' Power Cable
VEU-7MC2-ENNW-NGN	23,800	140	170	CW, 80CRI	Glass	Medium	Pendant 3/4" NPT	10' Power Cable

### Corded Model - 3/4" Conduit - 347-480 VAC

VEU-7NC5-JNNW-NGN	38,200	230	166	CW, 80CRI	Glass	Narrow	Pendant 3/4" NPT	10' Power Cable
VEU-7MC5-JNNW-NGN	37,400	230	163	CW, 80CRI	Glass	Medium	Pendant 3/4" NPT	10' Power Cable
VEU-7MC5-HNNW-NGN	32,300	195	166	CW, 80CRI	Glass	Medium	Pendant 3/4" NPT	10' Power Cable
VEU-7MC5-FNNW-NGN	28,000	165	170	CW, 80CRI	Glass	Medium	Pendant 3/4" NPT	10' Power Cable
VEU-7MC5-ENNW-NGN	23,800	140	170	CW, 80CRI	Glass	Medium	Pendant 3/4" NPT	10' Power Cable

### Integrated Wiring Box Model - Hook - 100-277 VAC / 120-250 VDC

VCU-7NC2-JDHN-NGN	38,200	230	166	CW, 80CRI	Glass	Narrow	Hook	Wiring Box
VCU-7MC2-JDHN-NGN	37,400	230	163	CW, 80CRI	Glass	Medium	Hook	Wiring Box
VCU-7MC2-HDHN-NGN	32,300	195	166	CW, 80CRI	Glass	Medium	Hook	Wiring Box
VCU-7MC2-FDHN-NGN	28,000	165	170	CW, 80CRI	Glass	Medium	Hook	Wiring Box
VCU-7MC2-EDHN-NGN	23,800	140	170	CW, 80CRI	Glass	Medium	Hook	Wiring Box

### Integrated Wiring Box Model - Hook - 347-480 VAC

VCU-7NC5-JDHN-NGN	38,200	230	166	CW, 80CRI	Glass	Narrow	Hook	Wiring Box
VCU-7MC5-JDHN-NGN	37,400	230	163	CW, 80CRI	Glass	Medium	Hook	Wiring Box
VCU-7MC5-HDHN-NGN	32,300	195	166	CW, 80CRI	Glass	Medium	Hook	Wiring Box
VCU-7MC5-FDHN-NGN	28,000	165	170	CW, 80CRI	Glass	Medium	Hook	Wiring Box
VCU-7MC5-EDHN-NGN	23,800	140	170	CW, 80CRI	Glass	Medium	Hook	Wiring Box

All values typical unless otherwise stated (tolerance +/- 10%)

**WARNING - INSTALLATION & SECONDARY RETENTION.** Use of any Dialight products without proper installation (including secondary retention / netting) and periodic inspections could cause severe injury or death. Dialight recommends that all installations should use secondary retention / netting (appropriate to the installation environment) where applicable. It is the exclusive responsibility of the contractor, installer and/or end-user to: (a) determine the suitability of the product for its intended application; and, (b) ensure that the product is safely installed (with secondary retention / netting where appropriate) and in compliance with all applicable laws and regulations. To the extent permissible under applicable laws, Dialight disclaims all liability for personal injury and/or other damage resulting from any dislodgment or other dislocation of its products.

# Vigilant® Ultra-Efficient LED Low Bay - UL / CSA

## Technical Information

### Corded Model



#### Mechanical Information:

**Fixture weight:**

18 lbs (8.16kg)

**Shipping weight:**

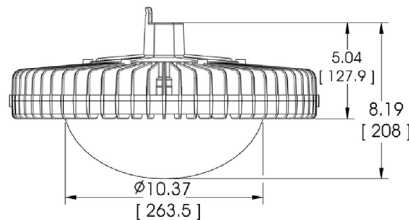
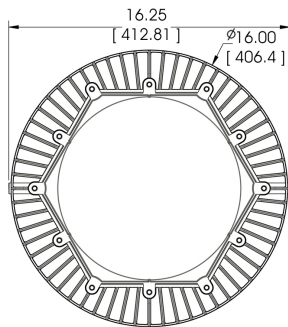
24 lbs (10.8kg)

**Mounting:**

3/4" NPT - top  
Various Kits

**Power Cord:**

10' 18 AWG ST00W/S00W



### Integrated Wiring Box Model



#### Mechanical Information:

**Fixture weight:**

20 lbs (9 kg)

**Shipping weight:**

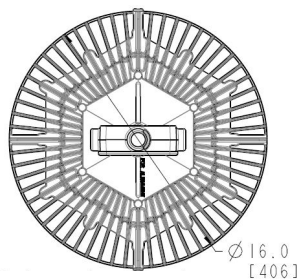
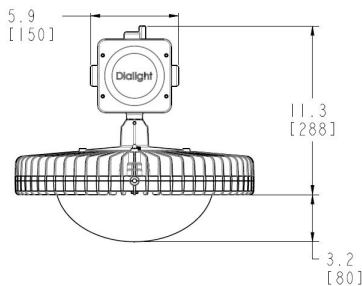
26 lbs (12 kg)

**Mounting:**

3/4" NPT or Hook  
Various Kits

**Wiring Box Cable Entries:**

(2x) 3/4" NPT



Dimensions in inches (mm)

#### Certifications & Ratings:

10 year warranty

UL 1598/A

UL 8750

IP66/67

CSA C22.2 No. 250.0-08

NEMA 4X

L70 rated for >150,000 hours

#### Variable Dimming:

**Variable Dimming Control:** 0-10 VDC

**Dimming Range:**

10 VDC = 100% light output

0 VDC = <10% light output

#### Occupancy Sensor:

Mounting Height:

Up to 40ft

Ingress Protection:

IP6X

#### Electrical Specifications:

**Operating Voltage:**

100-277 VAC (120-250 VDC)  
347-480 VAC

**Total system power consumption:**

See table

**Operating Temp:**

-40°F to +149°F (-40°C to +65°C)

**Harmonics:**

IEC 61000-3-2 Class C

**Noise requirement /EMC:**

FCC Title 47, Subpart B, Section 15, class A device. RF Immunity; 10V/m, 80MHz-1GHz

**Transient protection:**

100-277 VAC models tested to withstand up to 8kV/4kA per IEEE C62.41  
347-480VAC models tested to withstand up to 6kV/3kA per IEEE C62.41

**THD:**

6k-18k lm models: <20%

**Power Factor:**

>0.9

**Fusing:**

Internal

#### Construction:

**Housing:**

Copper free aluminum

**Finish:**

Superior dual coat finish  
Sealed polyester topcoat  
Chemical-resistant epoxy primer

**Lens:**

See table

#### Photometric Information:

**CRI:**

80

**CCT:**

5000K (cool white)  
4000K (neutral white)

All values typical unless otherwise stated (tolerance +/- 10%)

**DISCLAIMER.** All product information provided is, to the best of Dialight's knowledge, accurate as of the date of publication. When ordering, refer to [www.dialight.com](http://www.dialight.com) for current versions of: (a) relevant product documentation (including the relevant product data sheets); (b) Dialight terms and conditions of sale; and, (c) the relevant product warranty. To the extent that any contract is deemed formed between Dialight and the purchaser of Dialight products and/or an end-user, versions of documents available at [www.dialight.com](http://www.dialight.com) as at the date of sale shall be the versions incorporated therein. In the event of any discrepancy between this document or information provided at [www.dialight.com](http://www.dialight.com), the latter shall prevail.

# Vigilant® Ultra-Efficient LED Low Bay - UL / CSA

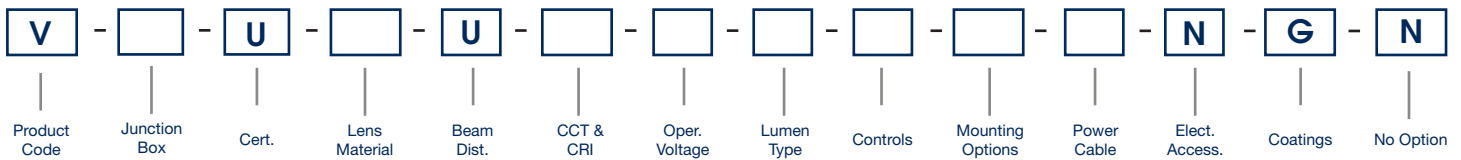
## Ordering Information



Project Information	
Part Number:	
Project:	
Fixture Type:	Date:

Specifications

### Ordering Information



Product Code	Beam Distribution	Lumen Type <sup>1</sup>	Power Cable
V Vigilant® Ultra-Efficient	U Ultra Wide	6 6,100 Lumens	N No Cord (Wiring Box only)
		9 9,000 Lumens	W 10' [3 meter] Power Cable
		B 13,400 Lumens	
		C 16,600 Lumens	
Junction Box	CCT & CRI	Controls	Electrical Accessories*
C Wiring Box	C Cool White 5000K - 80 CRI	D Continuous Dimming	N No Plug
E No Junction Box	N Neutral White 4000K - 80 CRI	J IntelliLED Wireless Controls	*Cord & plug options available upon request
		N No Option	
		Q Microwave Occ Sensor 40 <sup>13</sup>	
Certification	Operating Voltage	Mounting Options	Coatings
U UL 1598/A	2 100-277 VAC / 120-250 VDC	H Hook	G Gray (RAL 7040)
	5 347-480 VAC	N Pendant 3/4" NPT	
		P Pendant 3/4" NPT with Safety Retention Tabs	
		R Safety Retention Tabs with Hook	
Lens Material			Option
2 Acrylic - Clear (dry location only) <sup>2</sup>			N No Option
3 Acrylic - Diffused (dry location only) <sup>2</sup>			
4 Polycarbonate - Clear			
5 Polycarbonate - Diffused			
L Polycarbonate Dome - Diffused			

Notes
1) Lumen type based on using a polycarbonate dome lens. See page 14 for output of other options.
2) Acrylic lens are dry location only.
3) Occupancy Sensor models are dry locations only and are IP6X rated with a -20°C to +65°C ambient temperature range.

**WARNING - INSTALLATION & SECONDARY RETENTION.** Use of any Dialight products without proper installation (including secondary retention / netting) and periodic inspections could cause severe injury or death. Dialight recommends that all installations should use secondary retention / netting (appropriate to the installation environment) where applicable. It is the exclusive responsibility of the contractor, installer and/or end-user to: (a) determine the suitability of the product for its intended application; and, (b) ensure that the product is safely installed (with secondary retention / netting where appropriate) and in compliance with all applicable laws and regulations. To the extent permissible under applicable laws, Dialight disclaims all liability for personal injury and/or other damage resulting from any dislodgment or other dislocation of its products.

# Vigilant® Ultra-Efficient LED Low Bay - UL / CSA

## Ordering Information - Corded Model & Integrated Wiring Box Model



Corded Model - 3/4" Conduit - 100-277 VAC / 120-250 VDC								
Part Number	Lumens	Wattage	lm/W	CCT, CRI	Lens	Beam Distribution	Hardware Options	Wiring
VEU-LUC2-CNNW-NGN	16,700	115	145	CW, 80CRI	Polycarbonate Dome - Diffused	Ultra Wide	Pendant 3/4" NPT	10' Power Cable
VEU-LUC2-BNNW-NGN	13,400	90	149	CW, 80CRI	Polycarbonate Dome - Diffused	Ultra Wide	Pendant 3/4" NPT	10' Power Cable
VEU-LUC2-9NNW-NGN	9,000	60	150	CW, 80CRI	Polycarbonate Dome - Diffused	Ultra Wide	Pendant 3/4" NPT	10' Power Cable
VEU-LUC2-6NNW-NGN	6,100	43	142	CW, 80CRI	Polycarbonate Dome - Diffused	Ultra Wide	Pendant 3/4" NPT	10' Power Cable
Corded Model - 3/4" Conduit - 347-480 VAC								
VEU-LUC5-CNNW-NGN	16,700	115	145	CW, 80CRI	Polycarbonate Dome - Diffused	Ultra Wide	Pendant 3/4" NPT	10' Power Cable
VEU-LUC5-BNNW-NGN	13,400	90	149	CW, 80CRI	Polycarbonate Dome - Diffused	Ultra Wide	Pendant 3/4" NPT	10' Power Cable
VEU-LUC5-9NNW-NGN	9,000	60	150	CW, 80CRI	Polycarbonate Dome - Diffused	Ultra Wide	Pendant 3/4" NPT	10' Power Cable
Integrated Wiring Box Model - Hook - 100-277 VAC / 120-250 VDC								
VCU-LUC2-CDHN-NGN	16,700	115	145	CW, 80CRI	Polycarbonate Dome - Diffused	Ultra Wide	Hook	Wiring Box
VCU-LUC2-BDHN-NGN	13,400	90	149	CW, 80CRI	Polycarbonate Dome - Diffused	Ultra Wide	Hook	Wiring Box
VCU-LUC2-9DHN-NGN	9,000	60	150	CW, 80CRI	Polycarbonate Dome - Diffused	Ultra Wide	Hook	Wiring Box
VCU-LUC2-6DHN-NGN	6,100	43	142	CW, 80CRI	Polycarbonate Dome - Diffused	Ultra Wide	Hook	Wiring Box
Integrated Wiring Box Model - Hook - 347-480 VAC								
VCU-LUC5-CDHN-NGN	16,700	115	145	CW, 80CRI	Polycarbonate Dome - Diffused	Ultra Wide	Hook	Wiring Box
VCU-LUC5-BDHN-NGN	13,400	90	149	CW, 80CRI	Polycarbonate Dome - Diffused	Ultra Wide	Hook	Wiring Box
VCU-LUC5-9DHN-NGN	9,000	60	150	CW, 80CRI	Polycarbonate Dome - Diffused	Ultra Wide	Hook	Wiring Box

All values typical unless otherwise stated (tolerance +/- 10%)

**DISCLAIMER.** All product information provided is, to the best of Dialight's knowledge, accurate as of the date of publication. When ordering, refer to [www.dialight.com](http://www.dialight.com) for current versions of: (a) relevant product documentation (including the relevant product data sheets); (b) Dialight terms and conditions of sale; and, (c) the relevant product warranty. To the extent that any contract is deemed formed between Dialight and the purchaser of Dialight products and/or an end-user, versions of documents available at [www.dialight.com](http://www.dialight.com) as at the date of sale shall be the versions incorporated therein. In the event of any discrepancy between this document or information provided at [www.dialight.com](http://www.dialight.com), the latter shall prevail.

# Vigilant® LED High Bay - UL / CSA

## Corded Model & Integrated Wiring Box Model

### Corded Model



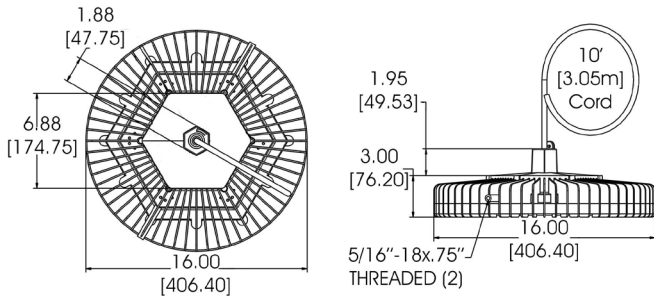
#### Mechanical Information:

**Fixture weight:**  
18 lbs (8.16kg)

**Shipping weight:**  
24 lbs (10.8kg)

**Mounting:**  
3/4" NPT - top  
Various Kits

**Power Cord:**  
10' 18 AWG STOOV  
Patent pending



### Integrated Wiring Box Model



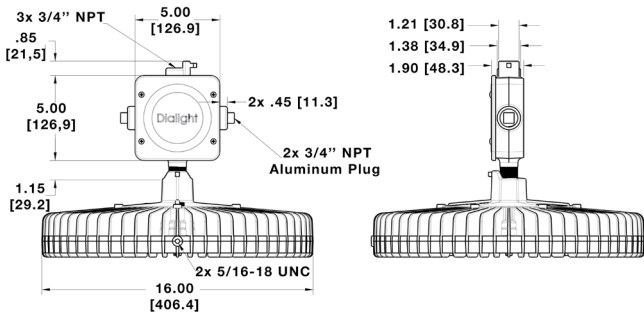
#### Mechanical Information:

**Fixture weight:**  
20 lbs (9 kg)

**Shipping weight:**  
26 lbs (12 kg)

**Mounting:**  
3/4" NPT or Hook

**Wiring Box Cable Entries:**  
(2x) 3/4" NPT



Dimensions in inches (mm)

#### Certifications & Ratings:

10 year warranty

UL 1598/A

UL 8750

IP66/67

CSA C22.2 No. 250.0-08

NEMA 4X

L70 rated for >150,000 hours

#### Variable Dimming:

**Variable Dimming Control:** 0-10 VDC

**Dimming Range:**

10 VDC = 100% light output

0 VDC = <10% light output

#### Occupancy Sensor:

Mounting Height:

Up to 40ft

Ingress Protection:

IP66

#### Electrical Specifications:

**Operating Voltage:**

100-277 VAC, 120-250 VDC

347-480 VAC

**Total system power consumption:**

See table

**Operating Temp:**

-40°F to +149°F (-40°C to +65°C)

**Harmonics:**

IEC 61000-3-2 Class C

**Noise requirement /EMC:**

FCC Title 47, Subpart B, Section 15, class A device. RF Immunity; 10V/m, 80MHz-1GHz

**Transient protection:**

100-277 VAC models tested to withstand up to 8kV/4kA per IEEE C62.41.

347-480 VAC models tested to withstand up to 6kV/3kA per IEEE C62.41

**THD:**

<20%

**Power Factor:**

>0.9

**Fusing:**

Internal

#### Construction:

**Housing:**

Copper free aluminum

**Finish:**

Superior dual coat finish

Sealed polyester topcoat

Chemical-resistant epoxy primer

**Lens:**

See table

#### Photometric Information:

**CRI:**

80

**CCT:**

5000K (cool white)

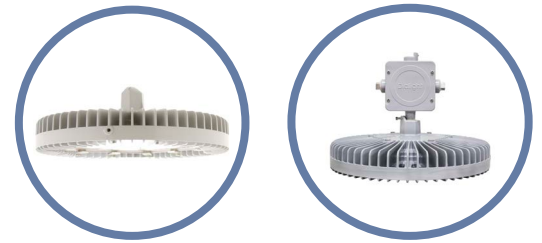
4000K (neutral white)

All values typical unless otherwise stated (tolerance +/- 10%)

**WARNING - INSTALLATION & SECONDARY RETENTION.** Use of any Dialight products without proper installation (including secondary retention / netting) and periodic inspections could cause severe injury or death. Dialight recommends that all installations should use secondary retention / netting (appropriate to the installation environment) where applicable. It is the exclusive responsibility of the contractor, installer and/or end-user to: (a) determine the suitability of the product for its intended application; and, (b) ensure that the product is safely installed (with secondary retention / netting where appropriate) and in compliance with all applicable laws and regulations. To the extent permissible under applicable laws, Dialight disclaims all liability for personal injury and/or other damage resulting from any dislodgment or other dislocation of its products.

# Vigilant® LED High Bay - UL / CSA

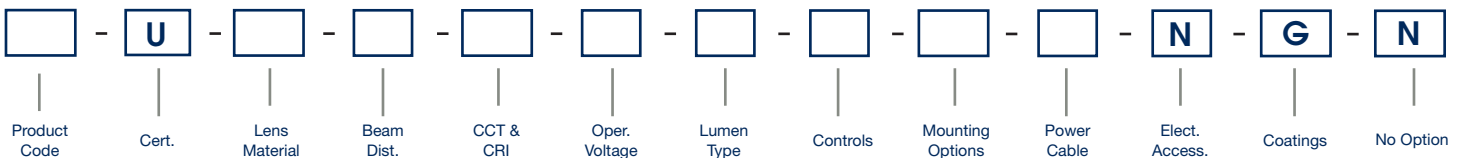
## Corded & Integrated Wiring Box



Project Information	
Part Number:	
Project:	
Fixture Type:	Date:

Specifications

### Ordering Information



Product Code
HC High Bay Integrated Pendant Wiring Box
HE High Bay 3/4" NPT

Beam Distribution
E Oval
M Medium
N Narrow
W Wide

Lumen Type
A 11,600 Lumens
B 14,900 Lumens
C 19,800 Lumens
E 27,500 Lumens

Power Cable
N No Cord (HC only)
W 10' [3 meter] Power Cable (HE only)

Certification
U UL 1598/A, CSA

CCT & CRI
C Cool White 5000K - 80 CRI
N Neutral White 4000K - 80 CRI

Controls
D Dimming (0-10V)
N No Dimming (HE only)
M Occupancy Sensor (HC only)

Electrical Accessories
N No Plug

Lens Material
2 Acrylic - Clear (dry location only)
4 Polycarbonate - Clear
7 Glass - Clear
L Polycarbonate Dome - Diffused
R Power Wash Glass, Clear

Operating Voltage
2 100-277 VAC / 120-250 VDC
5 347-480 VAC

Mounting Options
H Hook
N Pendant 3/4" NPT
P Pendant 3/4" NPT with Safety Retention Tabs
R Safety Retention Tabs with Hook

Coatings
G Gray (RAL 7040)

Option
N No Option

Notes
1) Lumen type based on using a glass lens. See tables for lumens when changing lenses.
2) When ordering occupancy sensor, use prefix HC.
3) When ordering option HC, Controls = (D) Dimming or (M) Occupancy Sensor.

**DISCLAIMER.** All product information provided is, to the best of Dialight's knowledge, accurate as of the date of publication. When ordering, refer to [www.dialight.com](http://www.dialight.com) for current versions of: (a) relevant product documentation (including the relevant product data sheets); (b) Dialight terms and conditions of sale; and, (c) the relevant product warranty. To the extent that any contract is deemed formed between Dialight and the purchaser of Dialight products and/or an end-user, versions of documents available at [www.dialight.com](http://www.dialight.com) as at the date of sale shall be the versions incorporated therein. In the event of any discrepancy between this document or information provided at [www.dialight.com](http://www.dialight.com), the latter shall prevail.

# Ordering Information

## Vigilant® LED High Bay - Corded Model



### Corded Model - 3/4" Conduit - 100-277 VAC / 120-250 VDC

Part Number	Lumens	Wattage	lm/W	CCT	Lens	Beam Distribution	Hardware Options	Wiring
HEU-7MC2-ENNW-NGN	27,500	185	149	CW	Glass - Clear	Medium	Pendant 3/4" NPT	10' Power Cable
HEU-7MC2-ENPW-NGN	27,500	185	149	CW	Glass - Clear	Medium	Pendant 3/4" NPT with Safety Tabs	10' Power Cable
HEU-7MC2-EDNW-NGN	27,500	185	149	CW	Glass - Clear	Medium	Pendant 3/4" NPT	10' Power Cable
HEU-4MC2-ENNW-NGN	27,200	185	147	CW	Polycarbonate - Clear	Medium	Pendant 3/4" NPT	10' Power Cable
HEU-2MC2-ENNW-NGN	27,200	185	147	CW	Acrylic - Clear	Medium	Pendant 3/4" NPT	10' Power Cable
HEU-LMC2-ENNW-NGN	27,000	185	146	CW	Polycarbonate Dome - Diffused	Medium	Pendant 3/4" NPT	10' Power Cable
HEU-2WC2-ENNW-NGN	27,000	185	146	CW	Acrylic - Clear	Wide	Pendant 3/4" NPT	10' Power Cable
HEU-7MC2-CNNW-NGN	19,800	130	152	CW	Glass - Clear	Medium	Pendant 3/4" NPT	10' Power Cable
HEU-7MC2-CNPW-NGN	19,800	130	152	CW	Glass - Clear	Medium	Pendant 3/4" NPT with Safety Tabs	10' Power Cable
HEU-7MC2-CDNW-NGN	19,800	130	152	CW	Glass - Clear	Medium	Pendant 3/4" NPT	10' Power Cable
HEU-4MC2-CNNW-NGN	19,600	130	151	CW	Polycarbonate - Clear	Medium	Pendant 3/4" NPT	10' Power Cable
HEU-LMC2-CNNW-NGN	19,400	130	149	CW	Polycarbonate Dome - Diffused	Medium	Pendant 3/4" NPT	10' Power Cable
HEU-7MN2-CNNW-NGN	19,400	130	149	NW	Glass - Clear	Medium	Pendant 3/4" NPT	10' Power Cable
HEU-7MC2-BNNW-NGN	14,900	100	149	CW	Glass - Clear	Medium	Pendant 3/4" NPT	10' Power Cable
HEU-4MC2-BNNW-NGN	14,800	100	148	CW	Polycarbonate - Clear	Medium	Pendant 3/4" NPT	10' Power Cable
HEU-LMC2-BNPW-NGN	14,600	100	146	CW	Polycarbonate Dome - Diffused	Medium	Pendant 3/4" NPT with Safety Tabs	10' Power Cable
HEU-LMC2-BNNW-NGN	14,600	100	146	CW	Polycarbonate Dome - Diffused	Medium	Pendant 3/4" NPT	10' Power Cable
HEU-7MC2-ANNW-NGN	11,600	80	145	CW	Glass - Clear	Medium	Pendant 3/4" NPT	10' Power Cable
HEU-4MC2-ANNW-NGN	11,500	80	144	CW	Polycarbonate - Clear	Medium	Pendant 3/4" NPT	10' Power Cable
HEU-2MC2-ANNW-NGN	11,500	80	144	CW	Acrylic - Clear	Medium	Pendant 3/4" NPT	10' Power Cable
HEU-LMC2-ANNW-NGN	11,400	80	143	CW	Polycarbonate Dome - Diffused	Medium	Pendant 3/4" NPT	10' Power Cable

### Corded Model - 3/4" Conduit - 347-480 VAC

HEU-7MC5-EDNW-NGN	27,500	185	149	CW	Glass - Clear	Medium	Pendant 3/4" NPT	10' Power Cable
HEU-7MC5-ENNW-NGN	27,500	185	149	CW	Glass - Clear	Medium	Pendant 3/4" NPT	10' Power Cable
HEU-7MC5-ENPW-NGN	27,500	185	149	CW	Glass - Clear	Medium	Pendant 3/4" NPT with Safety Tabs	10' Power Cable
HEU-4MC5-ENPW-NGN	27,200	185	147	CW	Polycarbonate - Clear	Medium	Pendant 3/4" NPT with Safety Tabs	10' Power Cable
HEU-7WC5-ENPW-NGN	27,200	185	147	CW	Glass - Clear	Wide	Pendant 3/4" NPT with Safety Tabs	10' Power Cable
HEU-7EC5-ENNW-NGN	25,900	185	140	CW	Glass - Clear	Oval	Pendant 3/4" NPT	10' Power Cable
HCU-4EC5-EMNW-NGN	25,600	185	138	CW	Polycarbonate - Clear	Oval	Pendant 3/4" NPT	10' Power Cable
HEU-7MC5-CDNW-NGN	19,800	130	152	CW	Glass - Clear	Medium	Pendant 3/4" NPT	10' Power Cable
HEU-7MC5-CNHW-NGN	19,800	130	152	CW	Glass - Clear	Medium	Hook	10' Power Cable
HEU-7MC5-CNNW-NGN	19,800	130	152	CW	Glass - Clear	Medium	Pendant 3/4" NPT	10' Power Cable
HEU-LMC5-CNNW-NGN	19,400	130	149	CW	Polycarbonate Dome - Diffused	Medium	Pendant 3/4" NPT	10' Power Cable
HEU-7MC5-BNNW-NGN	14,900	100	149	CW	Glass - Clear	Medium	Pendant 3/4" NPT	10' Power Cable
HEU-7MC5-ADNW-NGN	11,600	80	145	CW	Glass - Clear	Medium	Pendant 3/4" NPT	10' Power Cable
HEU-7MC5-ANNW-NGN	11,600	80	145	CW	Glass - Clear	Medium	Pendant 3/4" NPT	10' Power Cable
HEU-4MC5-ADNW-NGN	11,500	80	144	CW	Polycarbonate - Clear	Medium	Pendant 3/4" NPT	10' Power Cable
HEU-LMC5-ANNW-NGN	11,400	80	143	CW	Polycarbonate Dome - Diffused	Medium	Pendant 3/4" NPT	10' Power Cable

All values typical unless otherwise stated (tolerance +/- 10%)

0-10V dimming option available for products in the above table. Replace the ninth character **N** with **D**. Ex: HEU-7MC2-ENNW-NGN becomes HEU-7MC2-EDNW-NGN.

Acrylic lens is dry location only.

**DISCLAIMER.** All product information provided is, to the best of Dialight's knowledge, accurate as of the date of publication. When ordering, refer to [www.dialight.com](http://www.dialight.com) for current versions of: (a) relevant product documentation (including the relevant product data sheets); (b) Dialight terms and conditions of sale; and, (c) the relevant product warranty. To the extent that any contract is deemed formed between Dialight and the purchaser of Dialight products and/or an end-user, versions of documents available at [www.dialight.com](http://www.dialight.com) as at the date of sale shall be the versions incorporated therein. In the event of any discrepancy between this document or information provided at [www.dialight.com](http://www.dialight.com), the latter shall prevail.

# Ordering Information

## Vigilant® LED High Bay - Integrated Wiring Box Model



Integrated Wiring Box Model - 3/4" Conduit - 100-277 VAC / 120-250 VDC

Part Number	Lumens	Wattage	lm/W	CCT	Lens	Beam Distribution	Hardware Options	Wiring
HCU-7MC2-EDNN-NGN	27,500	185	149	CW	Glass - Clear	Medium	Wiring Box	Wiring Box
HCU-7MC2-EMNN-NGN	27,500	185	149	CW	Glass - Clear	Medium	Wiring Box	Wiring Box
HCU-LMC2-EMNN-NGN	27,000	185	146	CW	Polycarbonate Dome - Diffused	Medium	Wiring Box	Wiring Box
HCU-LMC2-EDNN-NGN	27,000	185	146	CW	Polycarbonate Dome - Diffused	Medium	Wiring Box	Wiring Box
HCU-7MC2-CDNN-NGN	19,800	130	152	CW	Glass - Clear	Medium	Wiring Box	Wiring Box
HCU-7MC2-CMNN-NGN	19,800	130	152	CW	Glass - Clear	Medium	Wiring Box	Wiring Box
HCU-LMC2-CDNN-NGN	19,400	130	149	CW	Polycarbonate Dome - Diffused	Medium	Wiring Box	Wiring Box
HCU-LMC2-CMNN-NGN	19,400	130	149	CW	Polycarbonate Dome - Diffused	Medium	Wiring Box	Wiring Box
HCU-7MC2-BDNN-NGN	14,900	100	149	CW	Glass - Clear	Medium	Wiring Box	Wiring Box
HCU-7MC2-BMNN-NGN	14,900	100	149	CW	Glass - Clear	Medium	Wiring Box	Wiring Box
HCU-LMC2-BDNN-NGN	14,600	100	146	CW	Polycarbonate Dome - Diffused	Medium	Wiring Box	Wiring Box
HCU-LMC2-BMNN-NGN	14,600	100	146	CW	Polycarbonate Dome - Diffused	Medium	Wiring Box	Wiring Box
HCU-7MC2-ADNN-NGN	11,600	80	145	CW	Glass - Clear	Medium	Wiring Box	Wiring Box
HCU-7MC2-AMNN-NGN	11,600	80	145	CW	Glass - Clear	Medium	Wiring Box	Wiring Box
HCU-LMC2-ADNN-NGN	11,400	80	143	CW	Polycarbonate Dome - Diffused	Medium	Wiring Box	Wiring Box
HCU-LMC2-AMNN-NGN	11,400	80	143	CW	Polycarbonate Dome - Diffused	Medium	Wiring Box	Wiring Box

All values typical unless otherwise stated (tolerance +/- 10%)

**DISCLAIMER.** All product information provided is, to the best of Dialight's knowledge, accurate as of the date of publication. When ordering, refer to [www.dialight.com](http://www.dialight.com) for current versions of: (a) relevant product documentation (including the relevant product data sheets); (b) Dialight terms and conditions of sale; and, (c) the relevant product warranty. To the extent that any contract is deemed formed between Dialight and the purchaser of Dialight products and/or an end-user, versions of documents available at [www.dialight.com](http://www.dialight.com) as at the date of sale shall be the versions incorporated therein. In the event of any discrepancy between this document or information provided at [www.dialight.com](http://www.dialight.com), the latter shall prevail.

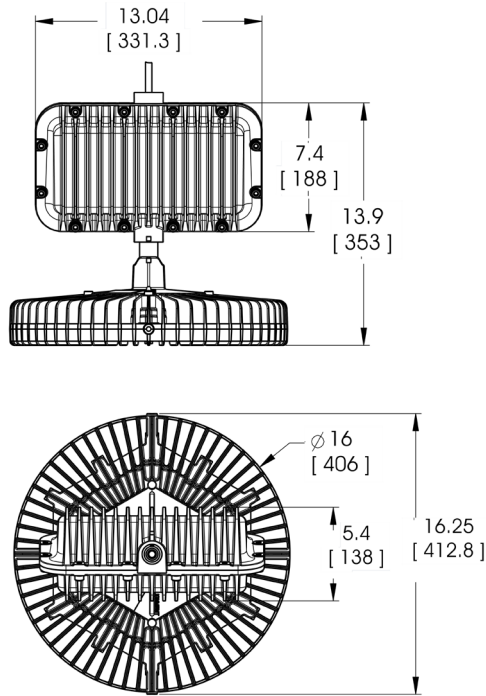
# Vigilant® LED High Bay - UL / CSA

## Passive Power Supply Model - 347 & 480 VAC



**Mechanical Information:**

- Fixture weight:**  
40 lbs (18 kg)
- Shipping weight:**  
45 lbs (20 kg)
- Mounting:**  
3/4" NPT - top  
Various Kits
- Power cord:**  
10" 18 AWG STOOW  
Patent pending



Dimensions in inches (mm)

**Certifications & Ratings:**

- 10 year warranty
- UL 1598/A
- UL 8750
- IP66
- CSA C22.2 No. 250.0-08
- NEMA 4X
- L70 rated for >150,000 hours

**Electrical Specifications:**

- Operating Voltage:** 347 or 480 VAC
- Total system power consumption:** See table
- Operating Temp:** -40°F to +149°F (-40°C to +65°C)
- Harmonics:** IEC 61000-3-2 Class C
- Noise requirement /EMC:** FCC Title 47, Subpart B, Section 15, class A device. RF Immunity; 10V/m, 80MHz-1GHz
- Transient protection:** Protection devices capable of handling up to 10kV. Tested for 10kV/2 ohm combination wave, as per IEEE C62.41, line-line and line ground
- THD:** <20%
- Fusing:** Internal
- Construction:**
  - Housing:** Copper free aluminum
  - Finish:** Superior dual coat finish  
Sealed polyester topcoat  
Chemical-resistant epoxy primer
  - Lens:** See table
- Photometric Information:**
  - CRI:** 80
  - CCT:** 5000K (cool white)  
4000K (neutral white)

All values typical unless otherwise stated (tolerance +/- 10%)

**WARNING - INSTALLATION & SECONDARY RETENTION.** Use of any Dialight products without proper installation (including secondary retention / netting) and periodic inspections could cause severe injury or death. Dialight recommends that all installations should use secondary retention / netting (appropriate to the installation environment) where applicable. It is the exclusive responsibility of the contractor, installer and/or end-user to: (a) determine the suitability of the product for its intended application; and, (b) ensure that the product is safely installed (with secondary retention / netting where appropriate) and in compliance with all applicable laws and regulations. To the extent permissible under applicable laws, Dialight disclaims all liability for personal injury and/or other damage resulting from any dislodgment or other dislocation of its products.

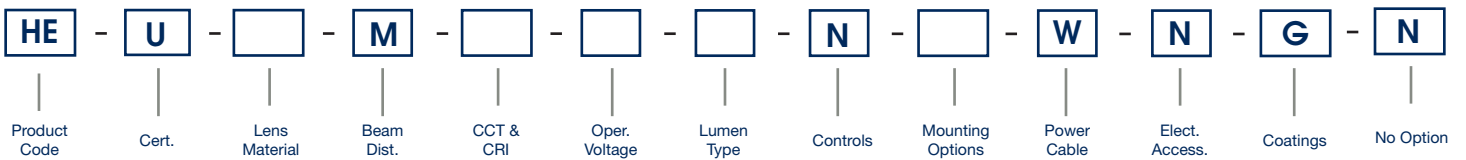
# Vigilant® LED High Bay - UL / CSA

## Passive Power Supply Model - 347 & 480 VAC



Project Information		Specifications	
Part Number:			
Project:			
Fixture Type:		Date:	

### Ordering Information



<b>Product Code</b> HE High Bay	<b>Beam Distribution</b> M Medium	<b>Lumen Type</b> A 11,300 Lumens B 14,300 Lumens C 18,000 Lumens E 27,000 Lumens	<b>Power Cable</b> W 10' (3 meter) Power Cable
<b>Certification</b> U UL 1598/A, CSA	<b>CCT &amp; CRI</b> C Cool White 5000K - 80 CRI N Neutral White 4000K - 80 CRI	<b>Controls</b> N No Option	<b>Electrical Accessories</b> N No Plug
<b>Lens Material</b> 7 Glass - Clear L Polycarbonate Dome - Diffused R Power Wash Glass, Clear	<b>Operating Voltage</b> P 480 VAC Passive Q 347 VAC Passive	<b>Mounting Options</b> H Hook N Pendant 3/4" NPT P Pendant 3/4" NPT with Safety Retention Tabs R Safety Retention Tabs with Hook	<b>Coatings</b> G Gray (RAL 7040)
			<b>Option</b> N No Option

**Notes**

1) Lumen type based on using a glass lens. See tables for lumens when changing lenses.

**DISCLAIMER.** All product information provided is, to the best of Dialight's knowledge, accurate as of the date of publication. When ordering, refer to [www.dialight.com](http://www.dialight.com) for current versions of: (a) relevant product documentation (including the relevant product data sheets); (b) Dialight terms and conditions of sale; and, (c) the relevant product warranty. To the extent that any contract is deemed formed between Dialight and the purchaser of Dialight products and/or an end-user, versions of documents available at [www.dialight.com](http://www.dialight.com) as at the date of sale shall be the versions incorporated therein. In the event of any discrepancy between this document or information provided at [www.dialight.com](http://www.dialight.com), the latter shall prevail.

# Ordering Information

## Vigilant® LED High Bay - Passive Power Supply Model



### Passive Power Supply Model - 347 VAC

Part Number	Lumens	Wattage	lm/W	CCT	Lens	Beam Distribution	Hardware Options	Wiring
HEU-7MCQ-ENNW-NGN	27,000	206	131	CW	Glass - Clear	Medium	Pendant 3/4" NPT	10' Power Cable
HEU-7MCQ-CNNW-NGN	18,000	136	132	CW	Glass - Clear	Medium	Pendant 3/4" NPT	10' Power Cable
HEU-7MCQ-BNNW-NGN	14,300	100	143	CW	Glass - Clear	Medium	Pendant 3/4" NPT	10' Power Cable
HEU-7MCQ-ANNW-NGN	11,300	81	140	CW	Glass - Clear	Medium	Pendant 3/4" NPT	10' Power Cable

### Passive Power Supply Model - 480 VAC

HEU-7MCP-ENNW-NGN	27,000	206	131	CW	Glass - Clear	Medium	Pendant 3/4" NPT	10' Power Cable
HEU-7MCP-CNNW-NGN	18,000	129	140	CW	Glass - Clear	Medium	Pendant 3/4" NPT	10' Power Cable
HEU-7MCP-BNNW-NGN	14,300	116	123	CW	Glass - Clear	Medium	Pendant 3/4" NPT	10' Power Cable
HEU-7MCP-ANNW-NGN	11,300	73	155	CW	Glass - Clear	Medium	Pendant 3/4" NPT	10' Power Cable

All values typical unless otherwise stated (tolerance +/- 10%)

**DISCLAIMER.** All product information provided is, to the best of Dialight's knowledge, accurate as of the date of publication. When ordering, refer to [www.dialight.com](http://www.dialight.com) for current versions of: (a) relevant product documentation (including the relevant product data sheets); (b) Dialight terms and conditions of sale; and, (c) the relevant product warranty. To the extent that any contract is deemed formed between Dialight and the purchaser of Dialight products and/or an end-user, versions of documents available at [www.dialight.com](http://www.dialight.com) as at the date of sale shall be the versions incorporated therein. In the event of any discrepancy between this document or information provided at [www.dialight.com](http://www.dialight.com), the latter shall prevail.

# Vigilant® LED Low Bay - UL / CSA

## Corded Model & Integrated Wiring Box Model

### Corded Model



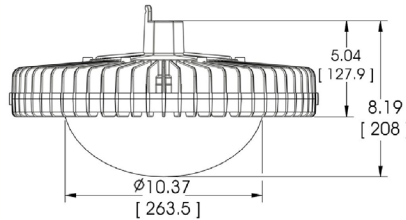
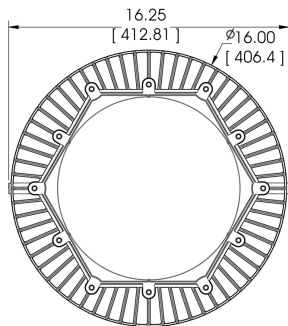
**Mechanical Information:**

**Fixture weight:**  
18 lbs (8.16kg)

**Shipping weight:**  
24 lbs (10.8kg)

**Mounting:**  
3/4" NPT - top  
Various Kits

**Power Cord:**  
10' 18 AWG ST00W



### Integrated Wiring Box Model



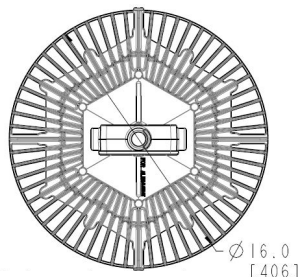
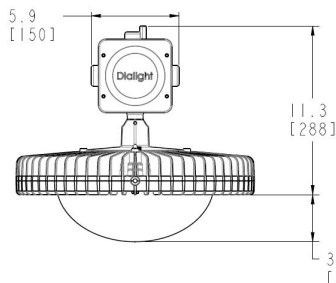
**Mechanical Information:**

**Fixture weight:**  
20 lbs (9 kg)

**Shipping weight:**  
26 lbs (12 kg)

**Mounting:**  
3/4" NPT or Hook  
Various Kits

**Wiring Box Cable Entries:**  
(2x) 3/4" NPT



**Certifications & Ratings:**

10 year warranty	CSA C22.2 No. 250.0-08
UL 1598/A	NEMA 4X
UL 8750	L70 rated for >150,000 hours
IP66/67	

**Variable Dimming:**

**Variable Dimming Control:** 0-10 VDC

**Dimming Range:** 10 VDC = 100% light output  
0 VDC = <10% light output

**Occupancy Sensor:**

**Mounting Height:** Up to 40ft  
**Ingress Protection:** IP66

**Electrical Specifications:**

**Operating Voltage:** 100-277 VAC (120-250 VDC)  
347-480 VAC

**Total system power consumption:** See table

**Operating Temp:** -40°F to +149°F (-40°C to +65°C)

**Harmonics:** IEC 61000-3-2 Class C

**Noise requirement /EMC:** FCC Title 47, Subpart B, Section 15, class A device. RF Immunity; 10V/m, 80MHz-1GHz

**Transient protection:** 100-277 VAC models tested to withstand up to 8kV/4kA per IEEE C62.41  
347-480VAC models tested to withstand up to 6kV/3kA per IEEE C62.41

**THD:** 6k-18k lm models: <20%  
4k lm models: <30%

**Power Factor:** >0.9

**Fusing:** Internal

**Construction:**

**Housing:** Copper free aluminum

**Finish:** Superior dual coat finish  
Sealed polyester topcoat  
Chemical-resistant epoxy primer

**Lens:** See table

**Photometric Information:**

**CRI:** 80

**CCT:** 5000K (cool white)  
4000K (neutral white)

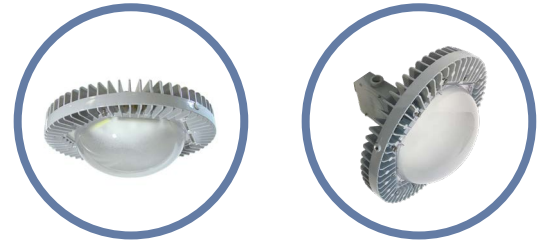
All values typical unless otherwise stated (tolerance +/- 10%)

Dimensions in inches (mm)

**WARNING - INSTALLATION & SECONDARY RETENTION.** Use of any Dialight products without proper installation (including secondary retention / netting) and periodic inspections could cause severe injury or death. Dialight recommends that all installations should use secondary retention / netting (appropriate to the installation environment) where applicable. It is the exclusive responsibility of the contractor, installer and/or end-user to: (a) determine the suitability of the product for its intended application; and, (b) ensure that the product is safely installed (with secondary retention / netting where appropriate) and in compliance with all applicable laws and regulations. To the extent permissible under applicable laws, Dialight disclaims all liability for personal injury and/or other damage resulting from any dislodgment or other dislocation of its products.

# Vigilant® LED Low Bay - UL / CSA

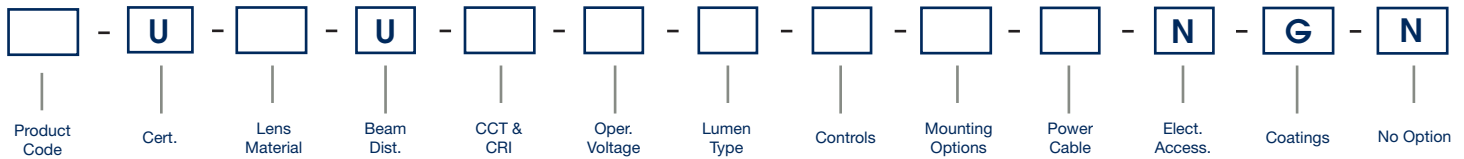
## Corded & Integrated Wiring Box



Project Information	
Part Number:	
Project:	
Fixture Type:	Date:

Specifications

### Ordering Information



Product Code	Beam Distribution	Lumen Type	Power Cable
LC Low Bay Integrated Wiring Box	U Ultra Wide	4 3,900 Lumens (100-277V only)	N No Cord (LC only)
LE Low Bay		6 6,400 Lumens (100-277V only)	W 10' [3 meter] Power Cable (LE only)
		9 9,200 Lumens	
		B 13,200 Lumens	
		C 17,200 Lumens	
Certification	CCT & CRI	Controls	Electrical Accessories
U UL 1598/A	C Cool White 5000K - 80 CRI	D Dimming (0-10V)	N No Plug
	N Neutral White 4000K - 80 CRI	M Occupancy Sensor (LC only)	
		N No Option (LE only)	
Lens Material	Operating Voltage	Mounting Options	Coatings
2 Acrylic - Clear (dry location only)	2 100-277 VAC / 120-250 VDC	H Hook	G Gray (RAL 7040)
3 Acrylic - Diffused (dry location only)	5 347-480 VAC	N Pendant 3/4" NPT	
4 Polycarbonate - Clear		P Pendant 3/4" NPT with Safety Retention Tabs	
5 Polycarbonate - Diffused		R Safety Retention Tabs with Hook	
L Polycarbonate Dome - Diffused			Option
			N No Option

Notes
1) Lumen type based on using a polycarbonate dome lens. See tables for lumens when changing lenses.
2) Acrylic lens dry location only.
3) When ordering occupancy sensor, use prefix LC.

**DISCLAIMER.** All product information provided is, to the best of Dialight's knowledge, accurate as of the date of publication. When ordering, refer to [www.dialight.com](http://www.dialight.com) for current versions of: (a) relevant product documentation (including the relevant product data sheets); (b) Dialight terms and conditions of sale; and, (c) the relevant product warranty. To the extent that any contract is deemed formed between Dialight and the purchaser of Dialight products and/or an end-user, versions of documents available at [www.dialight.com](http://www.dialight.com) as at the date of sale shall be the versions incorporated therein. In the event of any discrepancy between this document or information provided at [www.dialight.com](http://www.dialight.com), the latter shall prevail.

# Ordering Information

## Vigilant® LED Low Bay - Corded Model



Corded Model - 3/4" Conduit - 100-277 VAC / 120-250 VDC								
Part Number	Lumens	Wattage	lm/W	CCT	Lens	Beam Distribution	Hardware Options	Power Cable
LEU-LUC2-9NNW-NGN	9,200	78	118	CW	Polycarbonate Dome - Diffused	Ultra Wide	Pendant 3/4" NPT	10' Power Cable
LEU-LUC2-9NPW-NGN	9,200	78	118	CW	Polycarbonate Dome - Diffused	Ultra Wide	Pendant 3/4" NPT with Safety Tabs	10' Power Cable
LEU-LUC2-6NNW-NGN	6,400	50	128	CW	Polycarbonate Dome - Diffused	Ultra Wide	Pendant 3/4" NPT	10' Power Cable
LEU-LUC2-4NNW-NGN	3,900	38	103	CW	Polycarbonate Dome - Diffused	Ultra Wide	Pendant 3/4" NPT	10' Power Cable
Corded Model - 3/4" Conduit - 347-480 VAC								
LEU-LUC5-9NNW-NGN	9,200	78	118	CW	Polycarbonate Dome - Diffused	Ultra Wide	Pendant 3/4" NPT	10' Power Cable
LEU-LUC5-9DNW-NGN	9,200	78	118	CW	Polycarbonate Dome - Diffused	Ultra Wide	Pendant 3/4" NPT	10' Power Cable

All values typical unless otherwise stated (tolerance +/- 10%)

0-10V dimming option available for products in the above table. Replace the ninth character **N** with **D**. Ex: LEU-LUC2-9**N**NW-NGN becomes LEU-LUC2-9**D**NW-NGN.

# Ordering Information

## Vigilant® LED Low Bay - Integrated Wiring Box Model



Integrated Wiring Box Model - 100-277 VAC / 120-250 VDC								
Part Number	Lumens	Wattage	lm/W	CCT	Lens	Beam Distribution	Hardware Options	Power Cable
LCU-LUC2-9DNW-NGN	9,200	78	118	CW	Polycarbonate Dome - Diffused	Ultra Wide	Wiring Box	Wiring Box
LCU-LUC2-6MNW-NGN	6,400	50	128	CW	Polycarbonate Dome - Diffused	Ultra Wide	Wiring Box	Wiring Box
LCU-LUC2-4MNW-NGN	3,900	38	103	CW	Polycarbonate Dome - Diffused	Ultra Wide	Wiring Box	Wiring Box

All values typical unless otherwise stated (tolerance +/- 10%)

Specification sheets with additional options available, with extended lead times, are available on page 10

**DISCLAIMER.** All product information provided is, to the best of Dialight's knowledge, accurate as of the date of publication. When ordering, refer to [www.dialight.com](http://www.dialight.com) for current versions of: (a) relevant product documentation (including the relevant product data sheets); (b) Dialight terms and conditions of sale; and, (c) the relevant product warranty. To the extent that any contract is deemed formed between Dialight and the purchaser of Dialight products and/or an end-user, versions of documents available at [www.dialight.com](http://www.dialight.com) as at the date of sale shall be the versions incorporated therein. In the event of any discrepancy between this document or information provided at [www.dialight.com](http://www.dialight.com), the latter shall prevail.

# Vigilant® LED High Bay

## Lumen Tables

Vigilant High Bay 100-277 VAC, 120-250 VDC and 347-480 VAC

Output	Wattage	Lens	Lens Material	Lumens 5000K CCT	Lumens 4000K CCT	Lumens 2700K CCT
E	185	7, R	Glass	27,500	26,900	23,400
	185	2, T	Acrylic	27,200	26,600	23,100
	185	4, V	Polycarbonate	27,200	26,600	23,100
	185	3, U	Acrylic Diffused	27,000	26,400	23,000
	185	5, W	Polycarbonate Diffused	27,000	26,400	23,000
	185	L, Z	Polycarbonate Dome Diffused	26,700	26,100	22,700
	185	8, S	Glass Diffused	25,400	24,900	21,600
C	130	7, R	Glass	19,800	19,400	16,800
	130	2, T	Acrylic	19,600	19,200	16,700
	130	4, V	Polycarbonate	19,600	19,200	16,700
	130	3, U	Acrylic Diffused	19,400	19,000	16,500
	130	5, W	Polycarbonate Diffused	19,400	19,000	16,500
	130	L, Z	Polycarbonate Dome Diffused	19,200	18,800	16,300
	130	8, S	Glass Diffused	18,300	17,900	15,600
B	100	7, R	Glass	14,900	14,600	12,700
	100	2, T	Acrylic	14,800	14,500	12,600
	100	4, V	Polycarbonate	14,800	14,500	12,600
	100	3, U	Acrylic Diffused	14,600	14,300	12,400
	100	5, W	Polycarbonate Diffused	14,600	14,300	12,400
	100	L, Z	Polycarbonate Dome Diffused	14,500	14,200	12,300
	100	8, S	Glass Diffused	13,700	13,400	11,600
A	80	7, R	Glass	11,600	11,400	9,900
	80	2, T	Acrylic	11,500	11,300	9,800
	80	4, V	Polycarbonate	11,500	11,300	9,800
	80	3, U	Acrylic Diffused	11,400	11,200	9,700
	80	5, W	Polycarbonate Diffused	11,400	11,200	9,700
	80	L, Z	Polycarbonate Dome Diffused	11,300	11,100	9,600
	80	8, S	Glass Diffused	10,700	10,500	9,100

Passive Power Supply

Output	Wattage 347 VAC	Wattage 480 VAC	Lens	Lens Material	Lumens 5000K CCT	Lumens 4000K CCT	Lumens 2700K CCT
E	206	206	7, R	Glass	27,000	26,400	23,000
	206	206	L, Z	Polycarbonate Dome Diffused	25,000	24,500	21,300
	206	206	8, S	Glass Diffused	23,800	23,300	20,200
C	136	129	7, R	Glass	18,000	17,600	15,300
	136	129	L, Z	Polycarbonate Dome Diffused	16,800	16,400	14,300
	136	129	8, S	Glass Diffused	15,800	15,500	13,400
B	100	116	7, R	Glass	14,300	14,000	12,200
	100	116	L, Z	Polycarbonate Dome Diffused	13,300	13,000	11,300
	100	116	8, S	Glass Diffused	12,500	12,200	10,600
A	81	73	7, R	Glass	11,300	11,100	9,600
	81	73	L, Z	Polycarbonate Dome Diffused	10,300	10,100	8,800
	81	73	8, S	Glass Diffused	9,800	9,600	8,300

**DISCLAIMER.** All product information provided is, to the best of Dialight's knowledge, accurate as of the date of publication. When ordering, refer to [www.dialight.com](http://www.dialight.com) for current versions of: (a) relevant product documentation (including the relevant product data sheets); (b) Dialight terms and conditions of sale; and, (c) the relevant product warranty. To the extent that any contract is deemed formed between Dialight and the purchaser of Dialight products and/or an end-user, versions of documents available at [www.dialight.com](http://www.dialight.com) as at the date of sale shall be the versions incorporated therein. In the event of any discrepancy between this document or information provided at [www.dialight.com](http://www.dialight.com), the latter shall prevail.

# Vigilant® LED Low Bay

## Lumen Tables

Vigilant Low Bay 100-277 VAC, 120-250 VDC and 347-480 VAC						
Output	Wattage	Lens	Lens Material	Lumens 5000K CCT	Lumens 4000K CCT	Lumens 2700K CCT
C	150	2, T	Acrylic	17,500	17,100	14,900
	150	4, V	PC	17,400	17,000	14,800
	150	L, Z	Poly Dome	17,200	16,800	14,600
	150	5, W	Polycarbonate Diffused	17,300	16,900	14,700
	150	3, U	Acrylic Diffused	17,300	16,900	14,700
B	112	2, T	Acrylic	13,400	13,100	11,400
	112	4, V	PC	13,300	13,000	11,300
	112	L, Z	Poly Dome	13,200	12,900	11,200
	112	5, W	Polycarbonate Diffused	13,200	12,900	11,200
	112	3, U	Acrylic Diffused	13,200	12,900	11,200
9	78	2, T	Acrylic	9,400	9,200	8,000
	78	4, V	PC	9,300	9,100	7,900
	78	L, Z	Poly Dome	9,200	9,000	7,800
	78	5, W	Polycarbonate Diffused	9,300	9,100	7,900
	78	3, U	Acrylic Diffused	9,300	9,100	7,900
6	50	2, T	Acrylic	6,500	6,400	5,500
	50	4, V	PC	6,400	6,300	5,400
	50	L, Z	Poly Dome	6,400	6,300	5,400
	50	5, W	Polycarbonate Diffused	6,400	6,300	5,400
	50	3, U	Acrylic Diffused	6,400	6,300	5,400
4	38	2, T	Acrylic	4,000	3,900	3,400
	38	4, V	PC	4,000	3,900	3,400
	38	L, Z	Poly Dome	3,900	3,800	3,300
	38	5, W	Polycarbonate Diffused	3,900	3,800	3,300
	38	3, U	Acrylic Diffused	3,900	3,800	3,300

**DISCLAIMER.** All product information provided is, to the best of Dialight's knowledge, accurate as of the date of publication. When ordering, refer to [www.dialight.com](http://www.dialight.com) for current versions of: (a) relevant product documentation (including the relevant product data sheets); (b) Dialight terms and conditions of sale; and, (c) the relevant product warranty. To the extent that any contract is deemed formed between Dialight and the purchaser of Dialight products and/or an end-user, versions of documents available at [www.dialight.com](http://www.dialight.com) as at the date of sale shall be the versions incorporated therein. In the event of any discrepancy between this document or information provided at [www.dialight.com](http://www.dialight.com), the latter shall prevail.

# Vigilant® LED High Bay / Low Bay 100-277 VAC

## Mounting Accessories



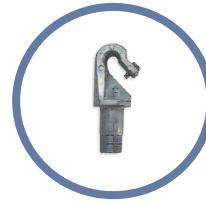
**HBXW3-SSL-316**  
**HBXW3-SSL-304**

- Stainless steel bracket



**HBXCAB48**

- 48" long stainless steel safety rope (for use with safety bracket)



**HBXH**

- Hook

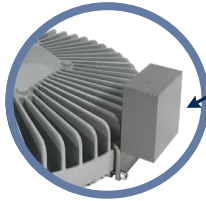


**HBXW3-SSL-304FT**

- 304 stainless steel forward throw bracket

**HBXW3-SSL-316FT**

- 316 Stainless steel forward throw bracket



**HBXCBOCCFSPG**  
**HBXCBOCCFSPK**  
(Counter Balance Occ)

- Powder Coated Steel
- Stainless Steel



**HBXL**

- Loop



**HBXW2**

- Swivel bracket and cable gland

**HBXW3**

- Swivel bracket



**HBXSB316**

- Stainless Steel (4x)



**HBXCG**

- Cable gland



**HBXCU**

- Ceiling / wall mount



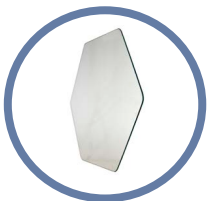
**LBXLENP**

- Polycarbonate dome lens replacement



**HBXDUALBRCKT**

- Dual bracket



**HBXLENGC**

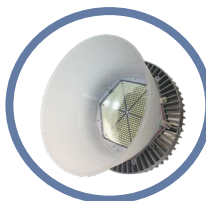
- Clear tempered glass

**HBXLENPC**

- Polycarbonate lens, clear

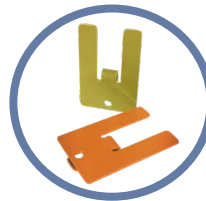
**HBXLENAC**

- Acrylic lens, clear



**HBXREF16**

- Acrylic reflector



**HBXFLAG-Y**  
**HBXFLAG-O**

- Yellow Aluminum
- Orange Aluminum
- Comes with 10 indicator flags



**HBXLENPD**

- Polycarbonate lens, diffused

**HBXLENAD**

- Acrylic lens, diffused

**HBXLENGD**

- Diffused tempered glass



**HBXDC**

- 21° slope dust cover

**HBXDC45**

- 45° slope dust cover

**HBXDC60**

- 60° slope dust cover



**HBXFSIRREMOTE**

- Remote for occupancy sensor

**Notes**

- 1) HBXLENGC Not applicable for Low Bay (Ultra Wide)

**DISCLAIMER.** All product information provided is, to the best of Dialight's knowledge, accurate as of the date of publication. When ordering, refer to [www.dialight.com](http://www.dialight.com) for current versions of: (a) relevant product documentation (including the relevant product data sheets); (b) Dialight terms and conditions of sale; and, (c) the relevant product warranty. To the extent that any contract is deemed formed between Dialight and the purchaser of Dialight products and/or an end-user, versions of documents available at [www.dialight.com](http://www.dialight.com) as at the date of sale shall be the versions incorporated therein. In the event of any discrepancy between this document or information provided at [www.dialight.com](http://www.dialight.com), the latter shall prevail.

# Vigilant® LED High Bay 347V & 480V Passive - UL / CSA



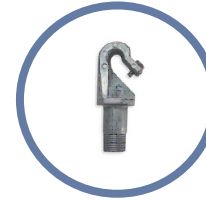
**HLXW2-SS**

- 316 stainless steel swivel bracket and cable gland
- HLXW3-SS**
- 316 Stainless Steel swivel bracket



**HBXW3-SSL-316FT**  
**HBXW3-SSL-304FT**

- Stainless steel forward throw bracket



**HBXH**

- Hook



**HBXCU**

- Ceiling / wall mount



**HBXCG**

- Cable gland



**HBXL**

- Loop



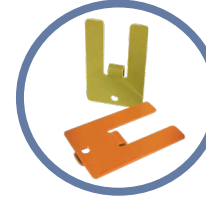
**HBXSB316**

- Stainless Steel (4x)



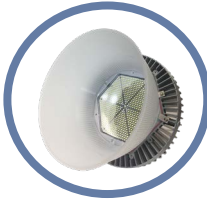
**HBXCAB48**

- 48" long stainless steel safety rope (for use with safety bracket)



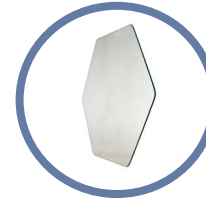
**HBXFLAG-Y**  
**HBXFLAG-O**

- Yellow Aluminum
- Orange Aluminum



**HBXREF16**

- Acrylic reflector



**HBXLENGC**

- Clear tempered glass

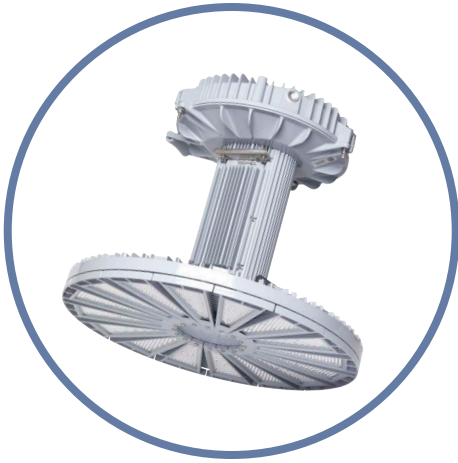
**LBXLENP**

- Polycarbonate dome lens

**DISCLAIMER.** All product information provided is, to the best of Dialight's knowledge, accurate as of the date of publication. When ordering, refer to [www.dialight.com](http://www.dialight.com) for current versions of: (a) relevant product documentation (including the relevant product data sheets); (b) Dialight terms and conditions of sale; and, (c) the relevant product warranty. To the extent that any contract is deemed formed between Dialight and the purchaser of Dialight products and/or an end-user, versions of documents available at [www.dialight.com](http://www.dialight.com) as at the date of sale shall be the versions incorporated therein. In the event of any discrepancy between this document or information provided at [www.dialight.com](http://www.dialight.com), the latter shall prevail.

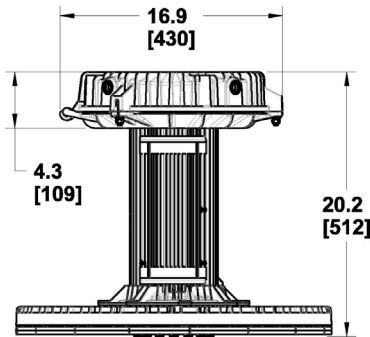
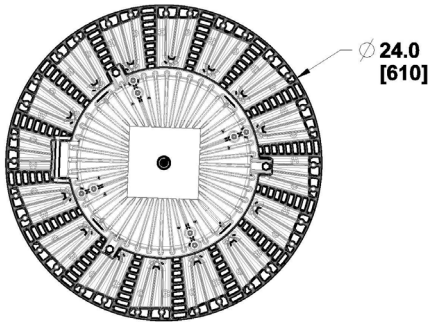
# Vigilant® LED High Output High Bay

## Standard Models



### Certifications & Ratings

- 10 year warranty
- UL 1598/A (wet locations)
- CSA C22.2 No. 250 (wet locations)
- IP66/67
- NEMA 4X
- Factory installed secondary retention bracket, optional safety cable accessory available



Dimensions in inches [mm]

**WARNING - INSTALLATION & SECONDARY RETENTION.** Use of any Dialight products without proper installation (including secondary retention / netting) and periodic inspections could cause severe injury or death. Dialight recommends that all installations should use secondary retention / netting (appropriate to the installation environment) where applicable. It is the exclusive responsibility of the contractor, installer and/or end-user to: (a) determine the suitability of the product for its intended application; and, (b) ensure that the product is safely installed (with secondary retention / netting where appropriate) and in compliance with all applicable laws and regulations. To the extent permissible under applicable laws, Dialight disclaims all liability for personal injury and/or other damage resulting from any dislodgment or other dislocation of its products.

### Mechanical Information:

**Weight (120-277 VAC):** 63 lbs (28.6 kg)  
 Wire box: 7 lbs (3.2 kg)  
 Light fixture: 56 lbs (25.4 kg)

**Weight (347/480 VAC):** 79 lbs (35.8 kg)  
 Wire box: 23 lbs (10.4 kg)  
 Light fixture: 56 lbs (25.4 kg)

**Shipping weight:**  
 120-277 VAC models: 82.6 lbs (37.5 kg)  
 347/480 VAC models: 98.6 lbs (44.7 kg)

Note that the wire box is installed separately from the housing. This allows single installer for fixtures.

120-277 VAC wire box: 7 lbs (3.2 kg) [mount first]  
 347/480 VAC wire box: 23 lbs (10.4 kg) [mount first]  
 Light fixture (base): 56 lbs (25.4 kg) [mount last]

**Mounting Entries:** (1) 3/4" NPT - top  
 (4) 3/4" NPT - sides  
 Secondary retention standard

### Variable Dimming Option:

**Variable Dimming Cable:** Two conductor cable

**Power Cable:** Three conductor cable

**Variable Dimming Control:** 0-10 VDC

**Dimming Range:** 10 VDC = 100% light output  
 0 VDC = 5% light output

### Electrical Specifications:

**Operating Voltage:** 120-277 VAC, 50/60Hz  
 347/480 VAC, 50/60Hz

**Total system power consumption:** See table

**Operating Temp:** -40°F to +149°F (-40°C to +65°C)

**Harmonics:** IEC 61000-3-2

**Noise requirement /EMC:** FCC Title 47, Subpart B, Section 15, class A device. RF Immunity; 10V/m, 80MHz-1GHz

**Transient protection:** 6kV/3kA combination wave, as per IEEE C62.41, line-line and line-ground

**THD:** < 20%

**Power Factor:** > 0.9

### Construction:

**Housing:** Copper free aluminum

**Finish:** Superior dual coat finish  
 - Sealed polyester topcoat  
 - Chemical-resistant epoxy primer

**Lens:** Tempered glass, Acrylic, Polycarbonate

### Photometric Information:

**CRI:** 80

**CCT:** 5000K (cool white)  
 4000K (neutral white)

All values typical unless otherwise stated (tolerance +/- 10%)

# Ordering Information

## Vigilant® LED High Output High Bay - Standard Models



Part Number	Fixture Lumen	Watt	lm/W	Voltage	CCT	CRI	Lens	Beam Distribution	Controls
<b>Standard Models - 120-277 VAC Models</b>									
H6U-7MC2-RDNN-NGN	72,000	484	149	120-277 VAC	5000K (cool white)	80	Tempered Glass	Medium	Dimming
H6U-7NC2-RDNN-NGN	72,000	484	149	120-277 VAC	5000K (cool white)	80	Tempered Glass	Narrow	Dimming
H6U-4MC2-RDNN-NGN	69,100	484	143	120-277 VAC	5000K (cool white)	80	Polycarbonate	Medium	Dimming
H6U-4NC2-RDNN-NGN	69,100	484	143	120-277 VAC	5000K (cool white)	80	Polycarbonate	Narrow	Dimming
H6U-2MC2-RDNN-NGN	67,700	484	140	120-277 VAC	5000K (cool white)	80	Acrylic	Medium	Dimming
H6U-2NC2-RDNN-NGN	67,700	484	140	120-277 VAC	5000K (cool white)	80	Acrylic	Narrow	Dimming
H6U-7MC2-NDNN-NGN	60,000	414	145	120-277 VAC	5000K (cool white)	80	Tempered Glass	Medium	Dimming
H6U-7NC2-NDNN-NGN	60,000	414	145	120-277 VAC	5000K (cool white)	80	Tempered Glass	Narrow	Dimming
H6U-4MC2-NDNN-NGN	57,600	414	139	120-277 VAC	5000K (cool white)	80	Polycarbonate	Medium	Dimming
H6U-4NC2-NDNN-NGN	57,600	414	139	120-277 VAC	5000K (cool white)	80	Polycarbonate	Narrow	Dimming
H6U-2MC2-NDNN-NGN	56,400	414	136	120-277 VAC	5000K (cool white)	80	Acrylic	Medium	Dimming
H6U-2NC2-NDNN-NGN	56,400	414	136	120-277 VAC	5000K (cool white)	80	Acrylic	Narrow	Dimming
H6U-7MC2-KDNN-NGN	45,000	309	146	120-277 VAC	5000K (cool white)	80	Tempered Glass	Medium	Dimming
H6U-7NC2-KDNN-NGN	45,000	309	146	120-277 VAC	5000K (cool white)	80	Tempered Glass	Narrow	Dimming
H6U-4MC2-KDNN-NGN	43,200	309	140	120-277 VAC	5000K (cool white)	80	Polycarbonate	Medium	Dimming
H6U-4NC2-KDNN-NGN	43,200	309	140	120-277 VAC	5000K (cool white)	80	Polycarbonate	Narrow	Dimming
H6U-2MC2-KDNN-NGN	42,300	309	137	120-277 VAC	5000K (cool white)	80	Acrylic	Medium	Dimming
H6U-2NC2-KDNN-NGN	42,300	309	137	120-277 VAC	5000K (cool white)	80	Acrylic	Narrow	Dimming
<b>Standard Models - 347 VAC Models</b>									
H6U-7MCB-RDNN-NGN	72,000	506	142	347 VAC	5000K (cool white)	80	Tempered Glass	Medium	Dimming
H6U-7NCB-RDNN-NGN	72,000	506	142	347 VAC	5000K (cool white)	80	Tempered Glass	Narrow	Dimming
H6U-4MCB-RDNN-NGN	69,100	506	137	347 VAC	5000K (cool white)	80	Polycarbonate	Medium	Dimming
H6U-4NCB-RDNN-NGN	69,100	506	137	347 VAC	5000K (cool white)	80	Polycarbonate	Narrow	Dimming
H6U-2MCB-RDNN-NGN	67,700	506	134	347 VAC	5000K (cool white)	80	Acrylic	Medium	Dimming
H6U-2NCB-RDNN-NGN	67,700	506	134	347 VAC	5000K (cool white)	80	Acrylic	Narrow	Dimming
H6U-7MCB-NDNN-NGN	60,000	431	139	347 VAC	5000K (cool white)	80	Tempered Glass	Medium	Dimming
H6U-7NCB-NDNN-NGN	60,000	431	139	347 VAC	5000K (cool white)	80	Tempered Glass	Narrow	Dimming
H6U-4MCB-NDNN-NGN	57,600	431	134	347 VAC	5000K (cool white)	80	Polycarbonate	Medium	Dimming
H6U-4NCB-NDNN-NGN	57,600	431	134	347 VAC	5000K (cool white)	80	Polycarbonate	Narrow	Dimming
H6U-2MCB-NDNN-NGN	56,400	431	131	347 VAC	5000K (cool white)	80	Acrylic	Medium	Dimming
H6U-2NCB-NDNN-NGN	56,400	431	131	347 VAC	5000K (cool white)	80	Acrylic	Narrow	Dimming
H6U-7MCB-KDNN-NGN	45,000	324	139	347 VAC	5000K (cool white)	80	Tempered Glass	Medium	Dimming
H6U-7NCB-KDNN-NGN	45,000	324	139	347 VAC	5000K (cool white)	80	Tempered Glass	Narrow	Dimming
H6U-4MCB-KDNN-NGN	43,200	324	133	347 VAC	5000K (cool white)	80	Polycarbonate	Medium	Dimming
H6U-4NCB-KDNN-NGN	43,200	324	133	347 VAC	5000K (cool white)	80	Polycarbonate	Narrow	Dimming
H6U-2MCB-KDNN-NGN	42,300	324	131	347 VAC	5000K (cool white)	80	Acrylic	Medium	Dimming
H6U-2NCB-KDNN-NGN	42,300	324	131	347 VAC	5000K (cool white)	80	Acrylic	Narrow	Dimming

All values typical unless otherwise stated (tolerance +/- 10%).

Neutral white color temperature is available for products in the above table. Replace the sixth character **C** with **N**. Ex: H6U-7**C**Q2-RDNN-NGN becomes H6U-7**N**Q2-RDNN-NGN.

**DISCLAIMER.** All product information provided is, to the best of Dialight's knowledge, accurate as of the date of publication. When ordering, refer to [www.dialight.com](http://www.dialight.com) for current versions of: (a) relevant product documentation (including the relevant product data sheets); (b) Dialight terms and conditions of sale; and, (c) the relevant product warranty. To the extent that any contract is deemed formed between Dialight and the purchaser of Dialight products and/or an end-user, versions of documents available at [www.dialight.com](http://www.dialight.com) as at the date of sale shall be the versions incorporated therein. In the event of any discrepancy between this document or information provided at [www.dialight.com](http://www.dialight.com), the latter shall prevail.

# Ordering Information

## Vigilant® LED High Output High Bay - Standard Models



Part Number	Fixture Lumen	Watt	lm/W	Voltage	CCT	CRI	Lens	Beam Distribution	Controls
<b>Standard Models - 480 VAC Models</b>									
H6U-7MCD-RDNN-NGN	72,000	506	142	480 VAC	5000K (cool white)	80	Tempered Glass	Medium	Dimming
H6U-7NCD-RDNN-NGN	72,000	506	142	480 VAC	5000K (cool white)	80	Tempered Glass	Narrow	Dimming
H6U-4MCD-RDNN-NGN	69,100	506	137	480 VAC	5000K (cool white)	80	Polycarbonate	Medium	Dimming
H6U-4NCD-RDNN-NGN	69,100	506	137	480 VAC	5000K (cool white)	80	Polycarbonate	Narrow	Dimming
H6U-2MCD-RDNN-NGN	67,700	506	134	480 VAC	5000K (cool white)	80	Acrylic	Medium	Dimming
H6U-2NCD-RDNN-NGN	67,700	506	134	480 VAC	5000K (cool white)	80	Acrylic	Narrow	Dimming
H6U-7MCD-NDNN-NGN	60,000	431	139	480 VAC	5000K (cool white)	80	Tempered Glass	Medium	Dimming
H6U-7NCD-NDNN-NGN	60,000	431	139	480 VAC	5000K (cool white)	80	Tempered Glass	Narrow	Dimming
H6U-4MCD-NDNN-NGN	57,600	431	134	480 VAC	5000K (cool white)	80	Polycarbonate	Medium	Dimming
H6U-4NCD-NDNN-NGN	57,600	431	134	480 VAC	5000K (cool white)	80	Polycarbonate	Narrow	Dimming
H6U-2MCD-NDNN-NGN	56,400	431	131	480 VAC	5000K (cool white)	80	Acrylic	Medium	Dimming
H6U-2NCD-NDNN-NGN	56,400	431	131	480 VAC	5000K (cool white)	80	Acrylic	Narrow	Dimming
H6U-7MCD-KDNN-NGN	45,000	324	139	480 VAC	5000K (cool white)	80	Tempered Glass	Medium	Dimming
H6U-7NCD-KDNN-NGN	45,000	324	139	480 VAC	5000K (cool white)	80	Tempered Glass	Narrow	Dimming
H6U-4MCD-KDNN-NGN	43,200	324	133	480 VAC	5000K (cool white)	80	Polycarbonate	Medium	Dimming
H6U-4NCD-KDNN-NGN	43,200	324	133	480 VAC	5000K (cool white)	80	Polycarbonate	Narrow	Dimming
H6U-2MCD-KDNN-NGN	42,300	324	131	480 VAC	5000K (cool white)	80	Acrylic	Medium	Dimming
H6U-2NCD-KDNN-NGN	42,300	324	131	480 VAC	5000K (cool white)	80	Acrylic	Narrow	Dimming

All values typical unless otherwise stated (tolerance +/- 10%).

Neutral white color temperature is available for products in the above table. Replace the sixth character **C** with **N**. Ex: H6U-7M**C**D-RDNN-NGN becomes H6U-7M**N**D-RDNN-NGN.

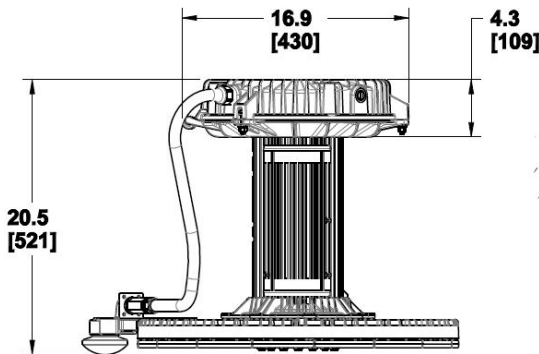
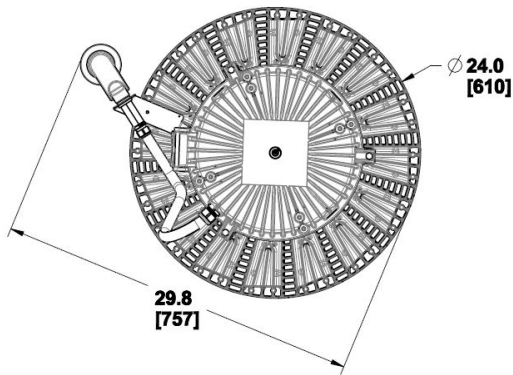
# Vigilant® LED High Output High Bay

## Occupancy Sensor Models



### Certifications & Ratings

- 10 year warranty
- UL 1598/A (wet locations)
- CSA C22.2 No. 250 (wet locations)
- IP66
- NEMA 4X



Dimensions in inches [mm]

### Mechanical Information:

**Weight (120-277 VAC):** 63 lbs (28.6 kg)  
 Wire box: 7 lbs (3.2 kg)  
 Light fixture: 56 lbs (25.4 kg)

**Weight (347/480 VAC):** 79 lbs (35.8 kg)  
 Wire box: 23 lbs (10.4 kg)  
 Light fixture: 56 lbs (25.4 kg)

**Shipping weight:**  
 120-277 VAC models: 82.6 lbs (37.5 kg)  
 480 VAC models: 98.6 lbs (44.7 kg)

Note that the wire box is installed separately from the housing. This allows single installer for fixtures.

120-277 VAC wire box: 7 lbs (3.2 kg) [mount first]  
 347/480 VAC wire box: 23 lbs (10.4 kg) [mount first]  
 Light fixture (base): 56 lbs (25.4 kg) [mount last]

**Mounting Entries:** (1) 3/4" NPT - top  
 (3) 3/4" NPT - sides  
 Secondary retention standard

### Electrical Specifications:

**Operating voltage:** 120-277 VAC, 50/60Hz  
 347/480 VAC, 50/60Hz

**Operating temperature:** -40°F to +149°F (-40°C to +65°C)

**Harmonics:** IEC 61000-3-2

**Noise requirement /EMC:** FCC Title 47, Subpart B, Section 15, Class A device. RF Immunity; 10V/m, 80MHz-1GHz

**Transient protection:** 6kV/3kA combination wave, as per IEEE C62.41, line-line and line-ground

**THD:** < 20%

**Power factor:** > 0.9

### Construction:

**Housing:** Copper free aluminum

**Finish:** Superior dual coat finish  
 - Sealed polyester topcoat  
 - Chemical-resistant epoxy primer

**Lens:** Tempered glass, acrylic, polycarbonate

### Photometric Information:

**CRI:** 80

**CCT:** 5000K (cool white)  
 4000K (neutral white)

All values typical unless otherwise stated (tolerance +/- 10%)  
 Additional color temperature options available, consult factory.

# Ordering Information

## Vigilant® LED High Output High Bay - Occupancy Sensor Models



Part Number	Fixture Lumen	Watt	lm/W	Voltage	CCT	Lens	Beam Distribution	Controls
<b>Occupancy Sensor Models</b>								
H6U-7MC2-KMNN-NGN	45,000	309	146	120-277 VAC	5000K (cool white)	Tempered Glass	Medium	Occupancy Sensor
H6U-7NC2-KMNN-NGN	45,000	309	146	120-277 VAC	5000K (cool white)	Tempered Glass	Narrow	Occupancy Sensor
H6U-4MC2-KMNN-NGN	43,200	309	140	120-277 VAC	5000K (cool white)	Polycarbonate	Medium	Occupancy Sensor
H6U-4NC2-KMNN-NGN	43,200	309	140	120-277 VAC	5000K (cool white)	Polycarbonate	Narrow	Occupancy Sensor
H6U-2MC2-KMNN-NGN	42,300	309	137	120-277 VAC	5000K (cool white)	Acrylic	Medium	Occupancy Sensor
H6U-2NC2-KMNN-NGN	42,300	309	137	120-277 VAC	5000K (cool white)	Acrylic	Narrow	Occupancy Sensor
H6U-7MCB-KMNN-NGN	45,000	324	139	347 VAC	5000K (cool white)	Tempered Glass	Medium	Occupancy Sensor
H6U-7NCB-KMNN-NGN	45,000	324	139	347 VAC	5000K (cool white)	Tempered Glass	Narrow	Occupancy Sensor
H6U-4MCB-KMNN-NGN	43,200	324	133	347 VAC	5000K (cool white)	Polycarbonate	Medium	Occupancy Sensor
H6U-4NCB-KMNN-NGN	43,200	324	133	347 VAC	5000K (cool white)	Polycarbonate	Narrow	Occupancy Sensor
H6U-2MCB-KMNN-NGN	42,300	324	131	347 VAC	5000K (cool white)	Acrylic	Medium	Occupancy Sensor
H6U-2NCB-KMNN-NGN	42,300	324	131	347 VAC	5000K (cool white)	Acrylic	Narrow	Occupancy Sensor
H6U-7MCD-KMNN-NGN	45,000	324	139	480 VAC	5000K (cool white)	Tempered Glass	Medium	Occupancy Sensor
H6U-7NCD-KMNN-NGN	45,000	324	139	480 VAC	5000K (cool white)	Tempered Glass	Narrow	Occupancy Sensor
H6U-4MCD-KMNN-NGN	43,200	324	133	480 VAC	5000K (cool white)	Polycarbonate	Medium	Occupancy Sensor
H6U-4NCD-KMNN-NGN	43,200	324	133	480 VAC	5000K (cool white)	Polycarbonate	Narrow	Occupancy Sensor
H6U-2MCD-KMNN-NGN	42,300	324	131	480 VAC	5000K (cool white)	Acrylic	Medium	Occupancy Sensor
H6U-2NCD-KMNN-NGN	42,300	324	131	480 VAC	5000K (cool white)	Acrylic	Narrow	Occupancy Sensor

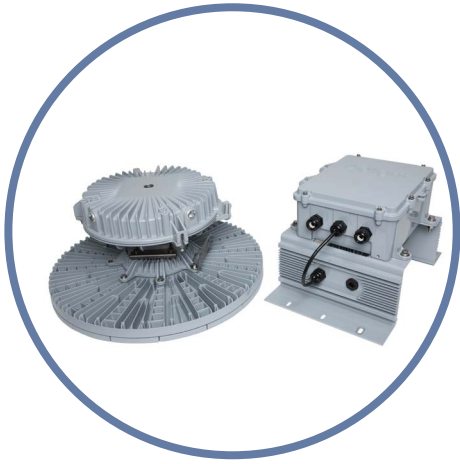
All values typical unless otherwise stated (tolerance +/- 10%).

Occupancy sensor available for 45,000 lumen output with a suggested maximum mounting height of 40'. For additional options, please consult factory.

Neutral white color temperature is available for products in the above table. Replace the sixth character **C** with **N**. Ex: H6U-7**M****C**2-KMNN-NGN becomes H6U-7**M****N**2-KMNN-NGN.

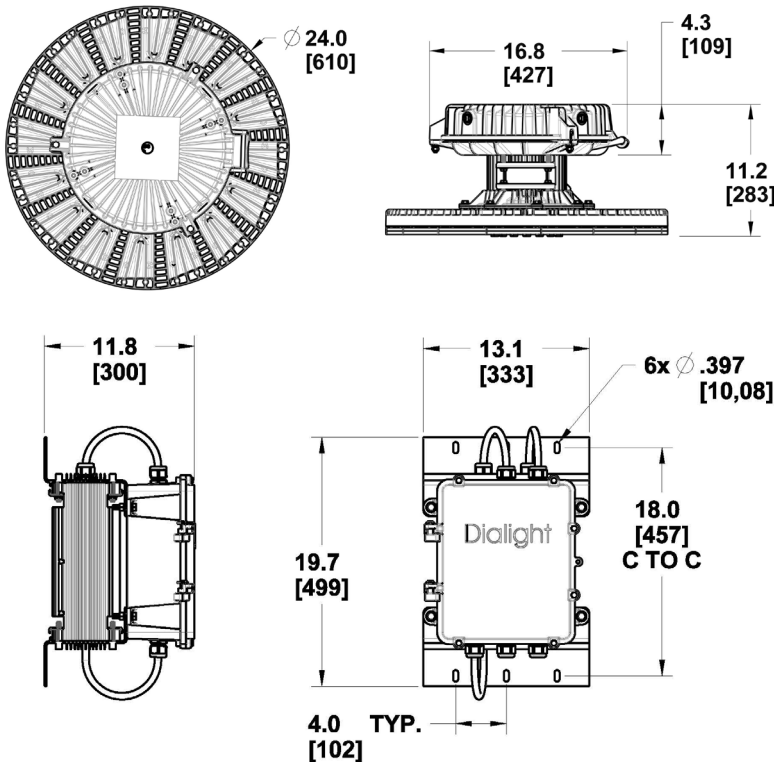
# Vigilant® LED High Output High Bay

## Remote Power Supply Models



### Certifications & Ratings

- 10 year warranty
- UL 1598/A (wet locations)
- CSA C22.2 No. 250 (wet location)
- IP66/67
- NEMA 4X



Dimensions in inches [mm]

### Mechanical Information:

**Weight:**  
 Wire box top hat: 52 lbs (23.6 kg)  
 Light fixture: 7 lbs (3.2 kg)  
 Power supply: 45 lbs (20.4 kg)  
 Power supply: 40 lbs (18.4 kg) - 120-277 VAC  
 Power supply: 56 lbs (25.4 kg) - 437/480 VAC

**Shipping weight:**  
 Light fixture: 65.3 lbs (29.6 kg)  
 Power supply: 47.2 lbs (21.4 kg) - 120-277 VAC  
 Power supply: 63.2 lbs (28.7 kg) - 437/480 VAC

Note that the wire box is installed separately from the housing. This allows single installer for fixtures.

**Wire box:** 7 lbs (3.2 kg) [mount first]  
**Light fixture (base):** 45 lbs (20.4 kg) [mount last]

**Mounting Entries:**  
 Light engine: (1) 3/4" NPT - top  
 (4) 3/4" NPT - sides  
 Secondary retention standard

**Power supply:** Remote power supply mounting bolt locations are shown on the dimensional view on the bottom left side of this page

### Variable Dimming:

**Variable dimming cable:** Two conductor cable connected in the power supply

**Power supply:**  
 Power cable: Three conductor cable  
 Light engine: Supplied via 3 conductor DC cable with a maximum length of 200' provided by others. Suggested wire gauge for various distances can be found on page 10

**Variable dimming control:** 0-10 VDC

**Dimming range:** 10 VDC = 100% light output  
 0 VDC = 5% light output

### Electrical Specifications:

**Operating Voltage:** 120-277 VAC, 50/60Hz  
 347/480 VAC, 50/60Hz

**Total system power consumption:** See table

**Operating Temp:** -40°F to +149°F (-40°C to +65°C)

**Harmonics:** IEC 61000-3-2

**Noise requirement /EMC:** FCC Title 47, Subpart B, Section 15, class A device, RF Immunity; 10V/m, 80MHz-1GHz

**Transient protection:** 6kV/3kA combination wave, as per IEEE C62.41, line-line and line-ground

**THD:** < 20%

**Power Factor:** > 0.9

### Construction:

**Housing:** Copper free aluminum

**Finish:** Superior dual coat finish  
 - Sealed polyester topcoat  
 - Chemical-resistant epoxy primer

**Lens:** Tempered glass, Acrylic, Polycarbonate

### Photometric Information:

**CRI:** 80

**CCT:** 5000K (cool white)  
 4000K (neutral white)

All values typical unless otherwise stated (tolerance +/- 10%)

**WARNING - INSTALLATION & SECONDARY RETENTION.** Use of any Dialight products without proper installation (including secondary retention / netting) and periodic inspections could cause severe injury or death. Dialight recommends that all installations should use secondary retention / netting (appropriate to the installation environment) where applicable. It is the exclusive responsibility of the contractor, installer and/or end-user to: (a) determine the suitability of the product for its intended application; and, (b) ensure that the product is safely installed (with secondary retention / netting where appropriate) and in compliance with all applicable laws and regulations. To the extent permissible under applicable laws, Dialight disclaims all liability for personal injury and/or other damage resulting from any dislodgment or other dislocation of its products.

# Ordering Information

## Vigilant® LED High Output High Bay - Remote Power Supply Models



Part Number	Fixture Lumen	Watt	lm/W	Voltage	CCT	CRI	Lens	Beam Distribution	Controls
<b>Remote Power Supply Models - 120-277 VAC Models</b>									
H6U-7MCR-RDNN-NGN	72,000	484	149	120-277 VAC	5000K (cool white)	80	Tempered Glass	Medium	Dimming
H6U-7NCR-RDNN-NGN	72,000	484	149	120-277 VAC	5000K (cool white)	80	Tempered Glass	Narrow	Dimming
H6U-4MCR-RDNN-NGN	69,100	484	143	120-277 VAC	5000K (cool white)	80	Polycarbonate	Medium	Dimming
H6U-4NCR-RDNN-NGN	69,100	484	143	120-277 VAC	5000K (cool white)	80	Polycarbonate	Narrow	Dimming
H6U-2MCR-RDNN-NGN	67,700	484	140	120-277 VAC	5000K (cool white)	80	Acrylic	Medium	Dimming
H6U-2NCR-RDNN-NGN	67,700	484	140	120-277 VAC	5000K (cool white)	80	Acrylic	Narrow	Dimming
H6U-7MCR-NDNN-NGN	60,000	414	145	120-277 VAC	5000K (cool white)	80	Tempered Glass	Medium	Dimming
H6U-7NCR-NDNN-NGN	60,000	414	145	120-277 VAC	5000K (cool white)	80	Tempered Glass	Narrow	Dimming
H6U-4MCR-NDNN-NGN	57,600	414	139	120-277 VAC	5000K (cool white)	80	Polycarbonate	Medium	Dimming
H6U-4NCR-NDNN-NGN	57,600	414	139	120-277 VAC	5000K (cool white)	80	Polycarbonate	Narrow	Dimming
H6U-2MCR-NDNN-NGN	56,400	414	136	120-277 VAC	5000K (cool white)	80	Acrylic	Medium	Dimming
H6U-2NCR-NDNN-NGN	56,400	414	136	120-277 VAC	5000K (cool white)	80	Acrylic	Narrow	Dimming
H6U-7MCR-KDNN-NGN	45,000	309	146	120-277 VAC	5000K (cool white)	80	Tempered Glass	Medium	Dimming
H6U-7NCR-KDNN-NGN	45,000	309	146	120-277 VAC	5000K (cool white)	80	Tempered Glass	Narrow	Dimming
H6U-4MCR-KDNN-NGN	43,200	309	140	120-277 VAC	5000K (cool white)	80	Polycarbonate	Medium	Dimming
H6U-4NCR-KDNN-NGN	43,200	309	140	120-277 VAC	5000K (cool white)	80	Polycarbonate	Narrow	Dimming
H6U-2MCR-KDNN-NGN	42,300	309	137	120-277 VAC	5000K (cool white)	80	Acrylic	Medium	Dimming
H6U-2NCR-KDNN-NGN	42,300	309	137	120-277 VAC	5000K (cool white)	80	Acrylic	Narrow	Dimming
<b>Remote Power Supply Models - 347 VAC Models</b>									
H6U-7MCS-RDNN-NGN	72,000	506	142	347 VAC	5000K (cool white)	80	Tempered Glass	Medium	Dimming
H6U-7NCS-RDNN-NGN	72,000	506	142	347 VAC	5000K (cool white)	80	Tempered Glass	Narrow	Dimming
H6U-4MCS-RDNN-NGN	69,100	506	137	347 VAC	5000K (cool white)	80	Polycarbonate	Medium	Dimming
H6U-4NCS-RDNN-NGN	69,100	506	137	347 VAC	5000K (cool white)	80	Polycarbonate	Narrow	Dimming
H6U-2MCS-RDNN-NGN	67,700	506	134	347 VAC	5000K (cool white)	80	Acrylic	Medium	Dimming
H6U-2NCS-RDNN-NGN	67,700	506	134	347 VAC	5000K (cool white)	80	Acrylic	Narrow	Dimming
H6U-7MCS-NDNN-NGN	60,000	431	139	347 VAC	5000K (cool white)	80	Tempered Glass	Medium	Dimming
H6U-7NCS-NDNN-NGN	60,000	431	139	347 VAC	5000K (cool white)	80	Tempered Glass	Narrow	Dimming
H6U-4MCS-NDNN-NGN	57,600	431	134	347 VAC	5000K (cool white)	80	Polycarbonate	Medium	Dimming
H6U-4NCS-NDNN-NGN	57,600	431	134	347 VAC	5000K (cool white)	80	Polycarbonate	Narrow	Dimming
H6U-2MCS-NDNN-NGN	56,400	431	131	347 VAC	5000K (cool white)	80	Acrylic	Medium	Dimming
H6U-2NCS-NDNN-NGN	56,400	431	131	347 VAC	5000K (cool white)	80	Acrylic	Narrow	Dimming
H6U-7MCS-KDNN-NGN	45,000	324	139	347 VAC	5000K (cool white)	80	Tempered Glass	Medium	Dimming
H6U-7NCS-KDNN-NGN	45,000	324	139	347 VAC	5000K (cool white)	80	Tempered Glass	Narrow	Dimming
H6U-4MCS-KDNN-NGN	43,200	324	133	347 VAC	5000K (cool white)	80	Polycarbonate	Medium	Dimming
H6U-4NCS-KDNN-NGN	43,200	324	133	347 VAC	5000K (cool white)	80	Polycarbonate	Narrow	Dimming
H6U-2MCS-KDNN-NGN	42,300	324	131	347 VAC	5000K (cool white)	80	Acrylic	Medium	Dimming
H6U-2NCS-KDNN-NGN	42,300	324	131	347 VAC	5000K (cool white)	80	Acrylic	Narrow	Dimming

All values typical unless otherwise stated (tolerance +/- 10%).

For remote power installations wattage will vary based on the length and size of cable used to run DC power between the luminaire and power supply. Consult factory for more details. Neutral white color temperature is available for products in the above table. Replace the sixth character **C** with **N**. Ex: H6U-7MCR-RDNN-NGN becomes H6U-7MNR-RDNN-NGN.

**DISCLAIMER.** All product information provided is, to the best of Dialight's knowledge, accurate as of the date of publication. When ordering, refer to [www.dialight.com](http://www.dialight.com) for current versions of: (a) relevant product documentation (including the relevant product data sheets); (b) Dialight terms and conditions of sale; and, (c) the relevant product warranty. To the extent that any contract is deemed formed between Dialight and the purchaser of Dialight products and/or an end-user, versions of documents available at [www.dialight.com](http://www.dialight.com) as at the date of sale shall be the versions incorporated therein. In the event of any discrepancy between this document or information provided at [www.dialight.com](http://www.dialight.com), the latter shall prevail.

# Ordering Information

## Vigilant® LED High Output High Bay - Remote Power Supply Models



Part Number	Fixture Lumen	Watt	lm/W	Voltage	CCT	CRI	Lens	Beam Distribution	Controls
<b>Remote Power Supply Models - 480 VAC Models</b>									
H6U-7MCU-RDNN-NGN	72,000	506	142	480 VAC	5000K (cool white)	80	Tempered Glass	Medium	Dimming
H6U-7NCU-RDNN-NGN	72,000	506	142	480 VAC	5000K (cool white)	80	Tempered Glass	Narrow	Dimming
H6U-4MCU-RDNN-NGN	69,100	506	137	480 VAC	5000K (cool white)	80	Polycarbonate	Medium	Dimming
H6U-4NCU-RDNN-NGN	69,100	506	137	480 VAC	5000K (cool white)	80	Polycarbonate	Narrow	Dimming
H6U-2MCU-RDNN-NGN	67,700	506	134	480 VAC	5000K (cool white)	80	Acrylic	Medium	Dimming
H6U-2NCU-RDNN-NGN	67,700	506	134	480 VAC	5000K (cool white)	80	Acrylic	Narrow	Dimming
H6U-7MCU-NDNN-NGN	60,000	431	139	480 VAC	5000K (cool white)	80	Tempered Glass	Medium	Dimming
H6U-7NCU-NDNN-NGN	60,000	431	139	480 VAC	5000K (cool white)	80	Tempered Glass	Narrow	Dimming
H6U-4MCU-NDNN-NGN	57,600	431	134	480 VAC	5000K (cool white)	80	Polycarbonate	Medium	Dimming
H6U-4NCU-NDNN-NGN	57,600	431	134	480 VAC	5000K (cool white)	80	Polycarbonate	Narrow	Dimming
H6U-2MCU-NDNN-NGN	56,400	431	131	480 VAC	5000K (cool white)	80	Acrylic	Medium	Dimming
H6U-2NCU-NDNN-NGN	56,400	431	131	480 VAC	5000K (cool white)	80	Acrylic	Narrow	Dimming
H6U-7MCU-KDNN-NGN	45,000	324	139	480 VAC	5000K (cool white)	80	Tempered Glass	Medium	Dimming
H6U-7NCU-KDNN-NGN	45,000	324	139	480 VAC	5000K (cool white)	80	Tempered Glass	Narrow	Dimming
H6U-4MCU-KDNN-NGN	43,200	324	133	480 VAC	5000K (cool white)	80	Polycarbonate	Medium	Dimming
H6U-4NCU-KDNN-NGN	43,200	324	133	480 VAC	5000K (cool white)	80	Polycarbonate	Narrow	Dimming
H6U-2MCU-KDNN-NGN	42,300	324	131	480 VAC	5000K (cool white)	80	Acrylic	Medium	Dimming
H6U-2NCU-KDNN-NGN	42,300	324	131	480 VAC	5000K (cool white)	80	Acrylic	Narrow	Dimming

All values typical unless otherwise stated (tolerance +/- 10%).

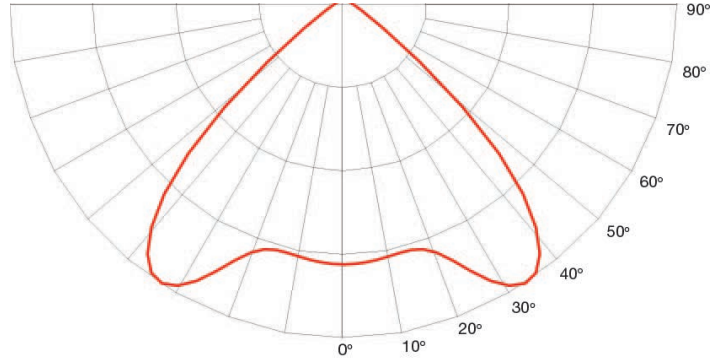
For remote power installations wattage will vary based on the length and size of cable used to run DC power between the luminaire and power supply. Consult factory for more details. Neutral white color temperature is available for products in the above table. Replace the sixth character **Q** with **N**. Ex: H6U-7M**QR**-RDNN-NGN becomes H6U-7M**NR**-RDNN-NGN.

**DISCLAIMER.** All product information provided is, to the best of Dialight's knowledge, accurate as of the date of publication. When ordering, refer to [www.dialight.com](http://www.dialight.com) for current versions of: (a) relevant product documentation (including the relevant product data sheets); (b) Dialight terms and conditions of sale; and, (c) the relevant product warranty. To the extent that any contract is deemed formed between Dialight and the purchaser of Dialight products and/or an end-user, versions of documents available at [www.dialight.com](http://www.dialight.com) as at the date of sale shall be the versions incorporated therein. In the event of any discrepancy between this document or information provided at [www.dialight.com](http://www.dialight.com), the latter shall prevail.

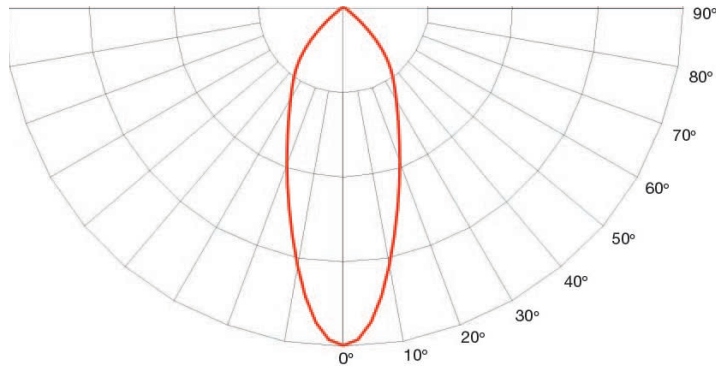
# Vigilant® LED High Output High Bay

## Beam Distribution

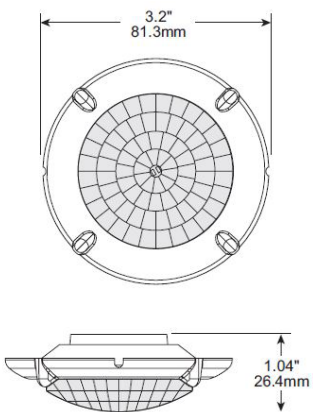
### Medium



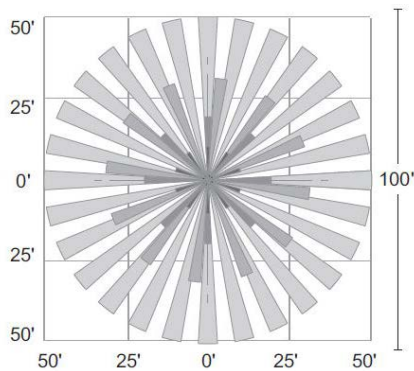
### Narrow



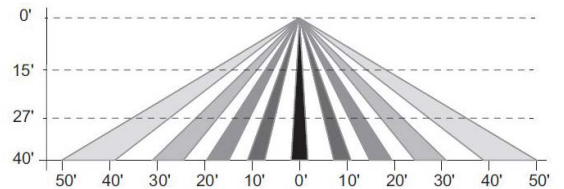
## Occupancy Sensor Coverage



Coverage Top View @ 40ft



Coverage Side View



**DISCLAIMER.** All product information provided is, to the best of Dialight's knowledge, accurate as of the date of publication. When ordering, refer to [www.dialight.com](http://www.dialight.com) for current versions of: (a) relevant product documentation (including the relevant product data sheets); (b) Dialight terms and conditions of sale; and, (c) the relevant product warranty. To the extent that any contract is deemed formed between Dialight and the purchaser of Dialight products and/or an end-user, versions of documents available at [www.dialight.com](http://www.dialight.com) as at the date of sale shall be the versions incorporated therein. In the event of any discrepancy between this document or information provided at [www.dialight.com](http://www.dialight.com), the latter shall prevail.

# Vigilant® LED High Output High Bay

## Mounting Accessories



### H6XCAB72

- 72" stainless steel safety rope

### H6XCAB60

- 60" stainless steel safety rope



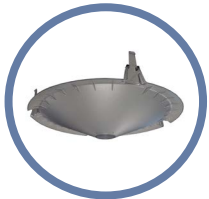
### H6X-H

- Hook



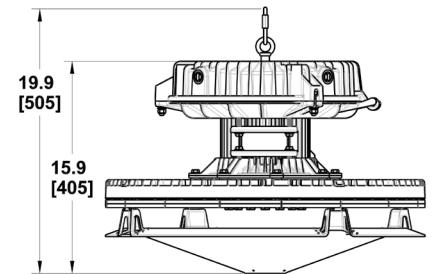
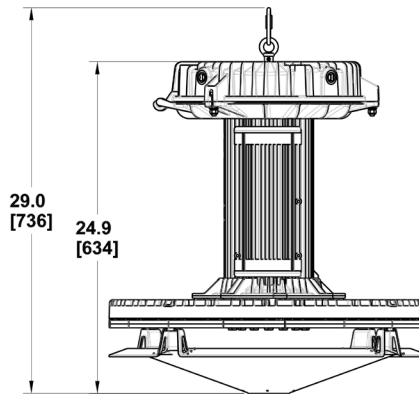
### HBXFSIRREMOTE

- Remote for occupancy sensor



### H6XDIFFUSER

- Diffuser
- Patent pending



## Top Hat Hinge



**DISCLAIMER.** All product information provided is, to the best of Dialight's knowledge, accurate as of the date of publication. When ordering, refer to [www.dialight.com](http://www.dialight.com) for current versions of: (a) relevant product documentation (including the relevant product data sheets); (b) Dialight terms and conditions of sale; and, (c) the relevant product warranty. To the extent that any contract is deemed formed between Dialight and the purchaser of Dialight products and/or an end-user, versions of documents available at [www.dialight.com](http://www.dialight.com) as at the date of sale shall be the versions incorporated therein. In the event of any discrepancy between this document or information provided at [www.dialight.com](http://www.dialight.com), the latter shall prevail.

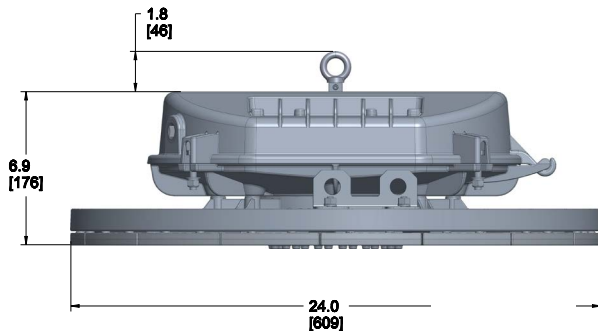
# Vigilant® LED High Output High Bay - Low Profile

## Standard Models



### Certifications & Ratings

- 10 year warranty
- UL 1598/A (wet locations)
- CSA C22.2 No. 250 (wet locations)
- IP66/67
- IK10 (polycarbonate) / IK06 (glass)
- L70 > 150,000 hours
- DLC Premium on most models
- Factory installed secondary retention bracket, optional safety cable accessory available



Dimensions in inches [mm]

### Mechanical Information:

<b>Weight (120-277 VAC):</b>	48 lbs (21.8 kg)
<b>Weight (347/480 VAC):</b>	49 lbs (22.2 kg)
<b>Shipping weight:</b>	62 lbs (28.1 kg)
<b>Mounting:</b>	(1) ¾" NPT Hook
<b>Entries:</b>	(1) ¾" NPT – top (2) ¾" NPT – sides

### Variable Dimming Option:

<b>Variable Dimming Cable:</b>	Two conductor cable
<b>Power Cable:</b>	Three conductor cable
<b>Variable Dimming Control:</b>	0-10 VDC
<b>Dimming Range:</b>	10 VDC = 100% light output 0 VDC = off

### Electrical Specifications:

<b>Operating Voltage:</b>	120-277 VAC, 50/60Hz 347 VAC, 50/60Hz 480 VAC, 50/60Hz
<b>Total system power consumption:</b>	See table
<b>Operating Temp:</b>	-40°F to +149°F (-40°C to +65°C)
<b>Harmonics:</b>	IEC 61000-3-2 Class C
<b>Noise requirement /EMC:</b>	FCC Title 47, Subpart B, Section 15, class A device. RF Immunity; 10V/m, 80MHz-1GHz
<b>Transient protection:</b>	6kV/3kA combination wave, as per IEEE C62.41, line-line and line-ground
<b>THD:</b>	< 20%
<b>Power Factor:</b>	> 0.9

### Construction:

<b>Housing:</b>	Copper free aluminum
<b>Finish:</b>	Superior dual coat finish - Sealed polyester topcoat - Chemical-resistant epoxy primer
<b>Lens Options:</b>	Glass, Acrylic or Polycarbonate

### Photometric Information:

<b>CRI:</b>	80
<b>CCT:</b>	5000K (cool white) 4000K (neutral white)

All values typical unless otherwise stated (tolerance +/- 10%)

**WARNING - INSTALLATION & SECONDARY RETENTION.** Use of any Dialight products without proper installation (including secondary retention / netting) and periodic inspections could cause severe injury or death. Dialight recommends that all installations should use secondary retention / netting (appropriate to the installation environment) where applicable. It is the exclusive responsibility of the contractor, installer and/or end-user to: (a) determine the suitability of the product for its intended application; and, (b) ensure that the product is safely installed (with secondary retention / netting where appropriate) and in compliance with all applicable laws and regulations. To the extent permissible under applicable laws, Dialight disclaims all liability for personal injury and/or other damage resulting from any dislodgment or other dislocation of its products.

# Vigilant® LED High Output High Bay - Low Profile

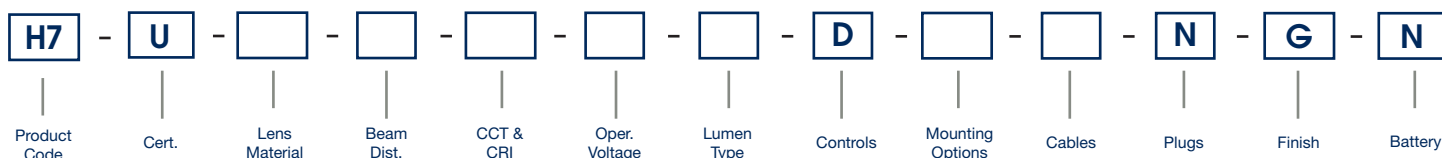
120-277 VAC, 347 or 480 VAC Models



Project Information	
Part Number:	
Project:	
Fixture Type:	Date:

Specifications

## Ordering Information



<b>Product Code</b> H7 Vigilant High Output High Bay	<b>CCT &amp; CRI</b> C Cool White 5000K - 80 CRI N Neutral White 4000K - 80 CRI	<b>Controls</b> D Dimming (0-10V)	<b>Plugs</b> N No Option*
<b>Certification</b> U UL 1598, UL 1598/A	<b>Operating Voltage</b> 2 120-277 VAC 3 208 VAC (w/ fuseblock) B 347 VAC (w/ fuseblock) D 480 VAC (w/ fuseblock)	<b>Mounting Options</b> H Hook N No Option*	<b>Finish</b> G Gray (RAL 7040)
<b>Lens Material</b> 2 Acrylic - Clear 4 Polycarbonate - Clear 7 Glass - Clear	<b>Lumen Type</b> K 46,000 Lumens N 61,200 Lumens R 70,500 Lumens	<b>Cables</b> N No Cable (Standard) W 10' (3 meter) Power Cable	<b>Battery</b> N No Option
<b>Beam Distribution</b> M Medium N Narrow	Based on cool white and glass lens. See Technical Specification Sheet for additional options.		

\* For available cable and plug options contact your local Dialight representative

\* 3 - 3/4" threaded entries; 1 pendant and 2 through-feed perimeter are standard

**WARNING - INSTALLATION & SECONDARY RETENTION.** Use of any Dialight products without proper installation (including secondary retention / netting) and periodic inspections could cause severe injury or death. Dialight recommends that all installations should use secondary retention / netting (appropriate to the installation environment) where applicable. It is the exclusive responsibility of the contractor, installer and/or end-user to: (a) determine the suitability of the product for its intended application; and, (b) ensure that the product is safely installed (with secondary retention / netting where appropriate) and in compliance with all applicable laws and regulations. To the extent permissible under applicable laws, Dialight disclaims all liability for personal injury and/or other damage resulting from any dislodgment or other dislocation of its products.

# Ordering Information

## Vigilant® LED High Output High Bay - Low Profile - Standard Models



Part Number	Fixture Lumen	Watt	lm/W	Voltage	CCT	CRI	Lens	Beam Distribution	Controls
<b>Standard Models - 120-277 VAC Models</b>									
H7U-7NC2-RDNN-NGN	70,500	485	145	120-277 VAC	5000K (cool white)	80	Glass	Narrow	Dimming
H7U-4NC2-RDNN-NGN	65,700	485	135	120-277 VAC	5000K (cool white)	80	Polycarbonate	Narrow	Dimming
H7U-2NC2-RDNN-NGN	66,800	485	138	120-277 VAC	5000K (cool white)	80	Acrylic	Narrow	Dimming
H7U-7MC2-RDNN-NGN	70,500	485	145	120-277 VAC	5000K (cool white)	80	Glass	Medium	Dimming
H7U-4MC2-RDNN-NGN	65,700	485	135	120-277 VAC	5000K (cool white)	80	Polycarbonate	Medium	Dimming
H7U-2MC2-RDNN-NGN	66,800	485	138	120-277 VAC	5000K (cool white)	80	Acrylic	Medium	Dimming
H7U-7NC2-NDNN-NGN	61,200	418	146	120-277 VAC	5000K (cool white)	80	Glass	Narrow	Dimming
H7U-4NC2-NDNN-NGN	57,100	418	137	120-277 VAC	5000K (cool white)	80	Polycarbonate	Narrow	Dimming
H7U-2NC2-NDNN-NGN	58,000	418	139	120-277 VAC	5000K (cool white)	80	Acrylic	Narrow	Dimming
H7U-7MC2-NDNN-NGN	61,200	418	146	120-277 VAC	5000K (cool white)	80	Glass	Medium	Dimming
H7U-4MC2-NDNN-NGN	57,100	418	137	120-277 VAC	5000K (cool white)	80	Polycarbonate	Medium	Dimming
H7U-2MC2-NDNN-NGN	58,000	418	139	120-277 VAC	5000K (cool white)	80	Acrylic	Medium	Dimming
H7U-7NC2-KDNN-NGN	46,000	300	153	120-277 VAC	5000K (cool white)	80	Glass	Narrow	Dimming
H7U-4NC2-KDNN-NGN	42,900	300	143	120-277 VAC	5000K (cool white)	80	Polycarbonate	Narrow	Dimming
H7U-2NC2-KDNN-NGN	43,600	300	145	120-277 VAC	5000K (cool white)	80	Acrylic	Narrow	Dimming
H7U-7MC2-KDNN-NGN	46,000	300	153	120-277 VAC	5000K (cool white)	80	Glass	Medium	Dimming
H7U-4MC2-KDNN-NGN	42,900	300	143	120-277 VAC	5000K (cool white)	80	Polycarbonate	Medium	Dimming
H7U-2MC2-KDNN-NGN	43,600	300	145	120-277 VAC	5000K (cool white)	80	Acrylic	Medium	Dimming
<b>Standard Models - 347 VAC Models</b>									
H7U-7NCB-RDNN-NGN	70,500	494	143	347 VAC	5000K (cool white)	80	Glass	Narrow	Dimming
H7U-4NCB-RDNN-NGN	65,700	494	133	347 VAC	5000K (cool white)	80	Polycarbonate	Narrow	Dimming
H7U-2NCB-RDNN-NGN	66,800	494	135	347 VAC	5000K (cool white)	80	Acrylic	Narrow	Dimming
H7U-7MCB-RDNN-NGN	70,500	494	143	347 VAC	5000K (cool white)	80	Glass	Medium	Dimming
H7U-4MCB-RDNN-NGN	65,700	494	133	347 VAC	5000K (cool white)	80	Polycarbonate	Medium	Dimming
H7U-2MCB-RDNN-NGN	66,800	494	135	347 VAC	5000K (cool white)	80	Acrylic	Medium	Dimming
H7U-7NCB-NDNN-NGN	61,200	427	143	347 VAC	5000K (cool white)	80	Glass	Narrow	Dimming
H7U-4NCB-NDNN-NGN	57,100	427	134	347 VAC	5000K (cool white)	80	Polycarbonate	Narrow	Dimming
H7U-2NCB-NDNN-NGN	58,000	427	136	347 VAC	5000K (cool white)	80	Acrylic	Narrow	Dimming
H7U-7MCB-NDNN-NGN	61,200	427	143	347 VAC	5000K (cool white)	80	Glass	Medium	Dimming
H7U-4MCB-NDNN-NGN	57,100	427	134	347 VAC	5000K (cool white)	80	Polycarbonate	Medium	Dimming
H7U-2MCB-NDNN-NGN	58,000	427	136	347 VAC	5000K (cool white)	80	Acrylic	Medium	Dimming
H7U-7NCB-KDNN-NGN	46,000	308	149	347 VAC	5000K (cool white)	80	Glass	Narrow	Dimming
H7U-4NCB-KDNN-NGN	42,900	308	139	347 VAC	5000K (cool white)	80	Polycarbonate	Narrow	Dimming
H7U-2NCB-KDNN-NGN	43,600	308	142	347 VAC	5000K (cool white)	80	Acrylic	Narrow	Dimming
H7U-7MCB-KDNN-NGN	46,000	308	149	347 VAC	5000K (cool white)	80	Glass	Medium	Dimming
H7U-4MCB-KDNN-NGN	42,900	308	139	347 VAC	5000K (cool white)	80	Polycarbonate	Medium	Dimming
H7U-2MCB-KDNN-NGN	43,600	308	142	347 VAC	5000K (cool white)	80	Acrylic	Medium	Dimming

All values typical unless otherwise stated (tolerance +/- 10%).

Neutral white color temperature is available for products in the above table. Replace the sixth character **C** with **N**. Ex: H7U-7MC2-RDNN-NGN becomes H7U-7MN2-RDNN-NGN.

**DISCLAIMER.** All product information provided is, to the best of Dialight's knowledge, accurate as of the date of publication. When ordering, refer to [www.dialight.com](http://www.dialight.com) for current versions of: (a) relevant product documentation (including the relevant product data sheets); (b) Dialight terms and conditions of sale; and, (c) the relevant product warranty. To the extent that any contract is deemed formed between Dialight and the purchaser of Dialight products and/or an end-user, versions of documents available at [www.dialight.com](http://www.dialight.com) as at the date of sale shall be the versions incorporated therein. In the event of any discrepancy between this document or information provided at [www.dialight.com](http://www.dialight.com), the latter shall prevail.

# Ordering Information

## Vigilant® LED High Output High Bay - Low Profile - Standard Models



Part Number	Fixture Lumen	Watt	lm/W	Voltage	CCT	CRI	Lens	Beam Distribution	Controls
<b>Standard Models - 480 VAC Models</b>									
H7U-7NCD-RDNN-NGN	70,500	494	143	480 VAC	5000K (cool white)	80	Glass	Narrow	Dimming
H7U-4NCD-RDNN-NGN	65,700	494	133	480 VAC	5000K (cool white)	80	Polycarbonate	Narrow	Dimming
H7U-2NCD-RDNN-NGN	66,800	494	135	480 VAC	5000K (cool white)	80	Acrylic	Narrow	Dimming
H7U-7MCD-RDNN-NGN	70,500	494	143	480 VAC	5000K (cool white)	80	Glass	Medium	Dimming
H7U-4MCD-RDNN-NGN	65,700	494	133	480 VAC	5000K (cool white)	80	Polycarbonate	Medium	Dimming
H7U-2MCD-RDNN-NGN	66,800	494	135	480 VAC	5000K (cool white)	80	Acrylic	Medium	Dimming
H7U-7NCD-NDNN-NGN	61,200	427	143	480 VAC	5000K (cool white)	80	Glass	Narrow	Dimming
H7U-4NCD-NDNN-NGN	57,100	427	134	480 VAC	5000K (cool white)	80	Polycarbonate	Narrow	Dimming
H7U-2NCD-NDNN-NGN	58,000	427	136	480 VAC	5000K (cool white)	80	Acrylic	Narrow	Dimming
H7U-7MCD-NDNN-NGN	61,200	427	143	480 VAC	5000K (cool white)	80	Glass	Medium	Dimming
H7U-4MCD-NDNN-NGN	57,100	427	134	480 VAC	5000K (cool white)	80	Polycarbonate	Medium	Dimming
H7U-2MCD-NDNN-NGN	58,000	427	136	480 VAC	5000K (cool white)	80	Acrylic	Medium	Dimming
H7U-7NCD-KDNN-NGN	46,000	308	149	480 VAC	5000K (cool white)	80	Glass	Narrow	Dimming
H7U-4NCD-KDNN-NGN	42,900	308	139	480 VAC	5000K (cool white)	80	Polycarbonate	Narrow	Dimming
H7U-2NCD-KDNN-NGN	43,600	308	142	480 VAC	5000K (cool white)	80	Acrylic	Narrow	Dimming
H7U-7MCD-KDNN-NGN	46,000	308	149	480 VAC	5000K (cool white)	80	Glass	Medium	Dimming
H7U-4MCD-KDNN-NGN	42,900	308	139	480 VAC	5000K (cool white)	80	Polycarbonate	Medium	Dimming
H7U-2MCD-KDNN-NGN	43,600	308	142	480 VAC	5000K (cool white)	80	Acrylic	Medium	Dimming

All values typical unless otherwise stated (tolerance +/- 10%).

Neutral white color temperature is available for products in the above table. Replace the sixth character **C** with **N**. Ex: H7U-7M**C**D-RDNN-NGN becomes H7U-7M**N**D-RDNN-NGN.

## Mounting Accessories



### H6XCAB72

- 72" stainless steel safety rope

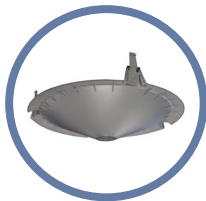
### H6XCAB60

- 60" stainless steel safety rope



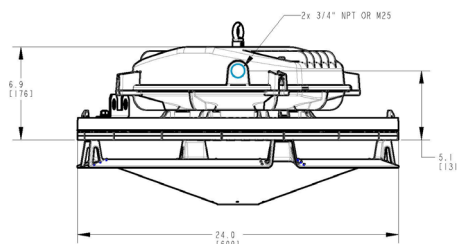
### H6X-H

- Hook



### H6XDIFFUSER

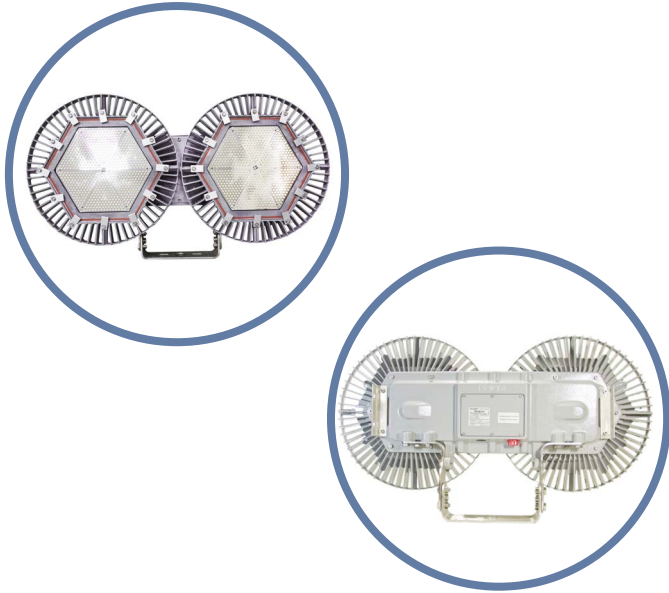
- Diffuser
- Patent pending



**DISCLAIMER.** All product information provided is, to the best of Dialight's knowledge, accurate as of the date of publication. When ordering, refer to [www.dialight.com](http://www.dialight.com) for current versions of: (a) relevant product documentation (including the relevant product data sheets); (b) Dialight terms and conditions of sale; and, (c) the relevant product warranty. To the extent that any contract is deemed formed between Dialight and the purchaser of Dialight products and/or an end-user, versions of documents available at [www.dialight.com](http://www.dialight.com) as at the date of sale shall be the versions incorporated therein. In the event of any discrepancy between this document or information provided at [www.dialight.com](http://www.dialight.com), the latter shall prevail.

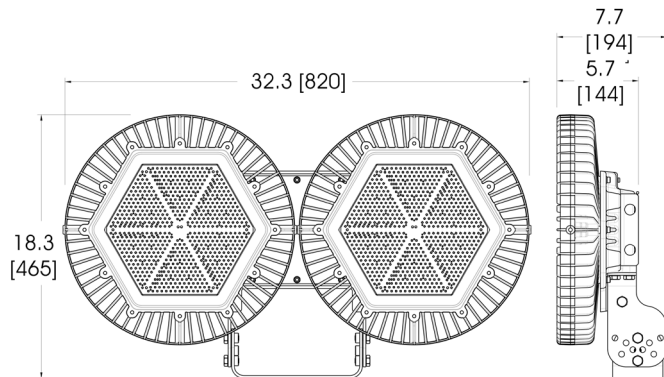
# Vigilant® LED Dual Floodlight - UL / CSA

## Standard Models



### Certifications & Ratings

- UL 1598/A
- CSA C22.2 No. 250
- NEMA 4X
- IP66
- IK05



Dimensions in inches [mm]

### Mechanical Information:

<b>Fixture weight:</b>	56 lb (25.4 kg)
<b>Shipping weight:</b>	60 lb (27.2 kg)
<b>EPA (sq.ft):</b>	2.69
<b>Mounting:</b>	304 Stainless Steel trunion mounting bracket included
<b>Entries:</b>	(2) 3/4" NPT cable entries

### Electrical Specifications:

<b>Operating voltage:</b>	100-277 VAC/120-250 VDC
<b>Power consumption:</b>	See table
<b>Operating temp:</b>	-40°F to +149°F (-40°C to +65°C)
<b>Noise requirement /EMC:</b>	FCC Title 47, Subpart B, Section 15, Class A device. RF Immunity; 10V/m, 80MHz-1GHz
<b>Surge protection:</b>	6kV/2 ohm combination wave, as per IEEE C62.41, line-line and line-ground
<b>THD:</b>	< 20%
<b>Power factor:</b>	> 0.9

### Variable Dimming:

<b>Variable dimming control:</b>	0-10 VDC
<b>Dimming range:</b>	10 VDC = 100% light output 0 VDC = <10% light output

### Construction:

<b>Housing:</b>	Copper-free aluminum
<b>Finish:</b>	Superior dual coat finish - Sealed polyester topcoat - Epoxy primer
<b>Lens:</b>	Tempered glass

### Photometric Information:

<b>CRI:</b>	80
<b>CCT:</b>	5000K (cool white) 4000K (neutral white)
<b>Beam patterns:</b>	Medium distribution NEMA 6 distribution NEMA 7x6 distribution

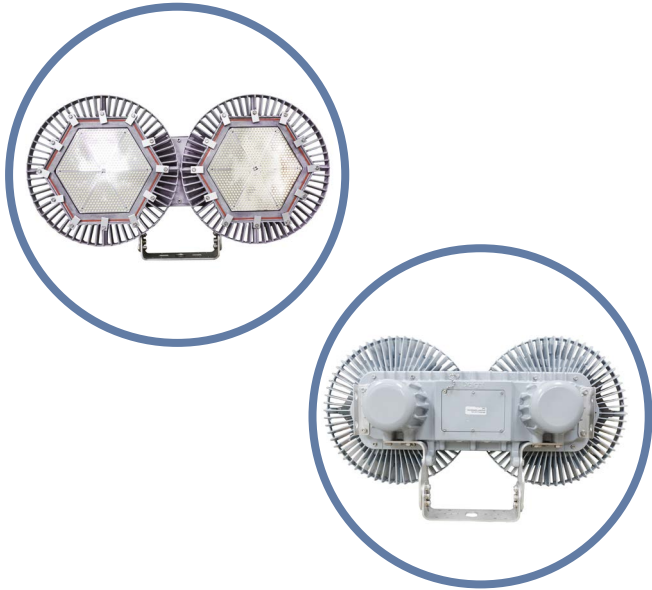
**IES files:** Available at [www.dialight.com](http://www.dialight.com)

All values typical unless otherwise stated (tolerance +/- 10%)

**WARNING - INSTALLATION & SECONDARY RETENTION.** Use of any Dialight products without proper installation (including secondary retention / netting) and periodic inspections could cause severe injury or death. Dialight recommends that all installations should use secondary retention / netting (appropriate to the installation environment) where applicable. It is the exclusive responsibility of the contractor, installer and/or end-user to: (a) determine the suitability of the product for its intended application; and, (b) ensure that the product is safely installed (with secondary retention / netting where appropriate) and in compliance with all applicable laws and regulations. To the extent permissible under applicable laws, Dialight disclaims all liability for personal injury and/or other damage resulting from any dislodgment or other dislocation of its products.

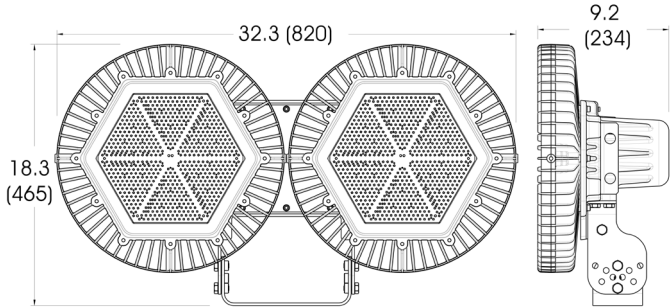
# Vigilant® LED Dual Floodlight - UL / CSA

## 347/480 VAC Models



### Certifications & Ratings

- UL 1598/A
- CSA C22.2 No. 250
- NEMA 4X
- IP66
- IK05



Dimensions in inches [mm]

### Mechanical Information:

- Fixture weight:** 73 lb (33.1 kg)
- Shipping weight:** 79 lb (35.8 kg)
- EPA (sq.ft):** 2.69
- Mounting:** 304 Stainless Steel trunnion mounting bracket included
- Entries:** (2) 3/4" NPT cable entries

### Electrical Specifications:

- Operating voltage:** 347/480 VAC, 60Hz
- Power consumption:** See table
- Operating temp:** -40°F to +149°F (-40°C to +65°C)
- Noise requirement /EMC:** FCC Title 47, Subpart B, Section 15, Class A device. RF Immunity; 10V/m, 80MHz-1GHz
- Surge protection:** 6kV/2 ohm combination wave, as per IEEE C62.41, line-line and line-ground
- THD:** < 20%
- Power factor:** > 0.9

### Variable Dimming:

- Variable dimming control:** 0-10 VDC
- Dimming range:** 10 VDC = 100% light output  
0 VDC = <10% light output

### Construction:

- Housing:** Copper-free aluminum
- Finish:** Superior dual coat finish  
- Sealed polyester topcoat  
- Epoxy primer
- Lens:** Tempered glass

### Photometric Information:

- CRI:** 80
- CCT:** 5000K (cool white)  
4000K (neutral white)
- Beam patterns:** Medium distribution  
NEMA 6 distribution  
NEMA 7x6 distribution

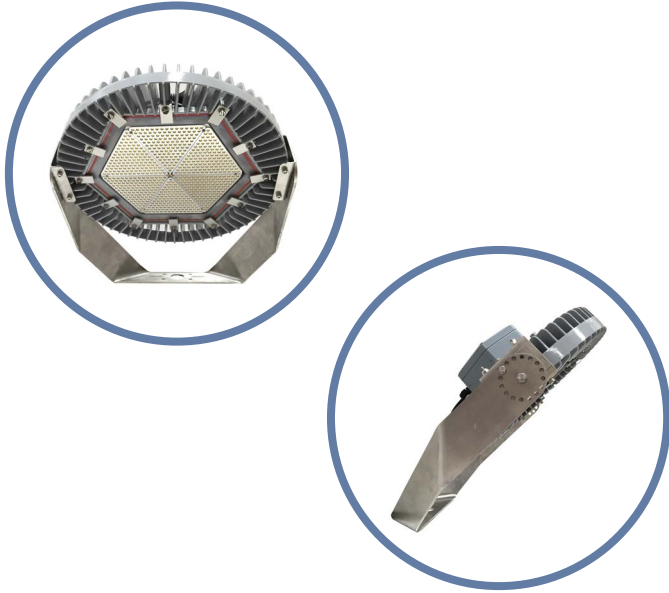
**IES files:** Available at [www.dialight.com](http://www.dialight.com)

All values typical unless otherwise stated (tolerance +/- 10%)

**DISCLAIMER.** All product information provided is, to the best of Dialight's knowledge, accurate as of the date of publication. When ordering, refer to [www.dialight.com](http://www.dialight.com) for current versions of: (a) relevant product documentation (including the relevant product data sheets); (b) Dialight terms and conditions of sale; and, (c) the relevant product warranty. To the extent that any contract is deemed formed between Dialight and the purchaser of Dialight products and/or an end-user, versions of documents available at [www.dialight.com](http://www.dialight.com) as at the date of sale shall be the versions incorporated therein. In the event of any discrepancy between this document or information provided at [www.dialight.com](http://www.dialight.com), the latter shall prevail.

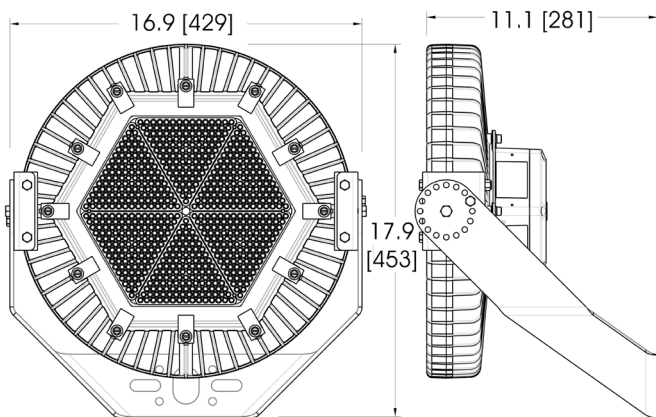
# Vigilant® LED Single Floodlight - UL / CSA

## Standard Models



### Certifications & Ratings

- UL 1598/A
- CSA C22.2 No. 250
- NEMA 4X
- IP66
- IK07



Dimensions in inches [mm]

### Mechanical Information:

- Fixture weight:** 34 lb (15.4 kg)
- Shipping weight:** 39 lb (17.7 kg)
- Mounting:** 304 Stainless Steel forward throw bracket
- Entries:** (3) 3/4" NPT cable entries

### Electrical Specifications:

- Operating voltage:** 100-277 VAC/120-250 VDC
- Power consumption:** See table
- Operating temp:** -40°C to +65°C (-40°F to +149°F)
- Noise requirement /EMC:** FCC Title 47, Subpart B, Section 15, Class A device. RF Immunity; 10V/m, 80MHz-1GHz
- Surge protection:** 100-277 VAC models tested to withstand up to 8kV/4kA per IEEE C62.41
- THD:** < 20%
- Power factor:** > 0.9

### Variable Dimming:

- Variable dimming control:** 0-10 VDC
- Dimming range:** 10 VDC = 100% light output  
0 VDC = <10% light output

### Construction:

- Housing:** Copper-free aluminum
- Finish:** Superior dual coat finish  
- Sealed polyester topcoat  
- Epoxy primer
- Lens:** Tempered glass

### Photometric Information:

- CRI:** 80
- CCT:** 5000K (cool white)  
4000K (neutral white)

- Beam patterns:** NEMA 6 distribution  
NEMA 7x6 distribution

- IES files:** Available at [www.dialight.com](http://www.dialight.com)

All values typical unless otherwise stated (tolerance +/- 10%)

**WARNING - INSTALLATION & SECONDARY RETENTION.** Use of any Dialight products without proper installation (including secondary retention / netting) and periodic inspections could cause severe injury or death. Dialight recommends that all installations should use secondary retention / netting (appropriate to the installation environment) where applicable. It is the exclusive responsibility of the contractor, installer and/or end-user to: (a) determine the suitability of the product for its intended application; and, (b) ensure that the product is safely installed (with secondary retention / netting where appropriate) and in compliance with all applicable laws and regulations. To the extent permissible under applicable laws, Dialight disclaims all liability for personal injury and/or other damage resulting from any dislodgment or other dislocation of its products.

# Vigilant® LED Floodlight - UL / CSA

## Ordering Information

Standard Models - 100-277 VAC/120-250 VDC								
Part Number	Legacy Part Number	Fixture Lumens	Wattage	lm/W	Voltage	CCT	Lens	Beam Distribution
<b>Dual Floodlight Models</b>								
FDU76C2MDSNNGN	FLWB66NC2NG	56,000	385	145	100-277 VAC/ 120-250 VDC	5000K (cool white)	Clear Tempered Glass	NEMA 6
FDU7MC2MDSNNGN	FLWBM0NC2NG	54,000	385	140	100-277 VAC/ 120-250 VDC	5000K (cool white)	Clear Tempered Glass	Medium
FDU77C2MDSNNGN	FLWB76NC2NG	54,000	380	142	100-277 VAC/ 120-250 VDC	5000K (cool white)	Clear Tempered Glass	NEMA 7x6
FDU76C2HDSNNGN	FLW966NC2NG	39,000	270	144	100-277 VAC/ 120-250 VDC	5000K (cool white)	Clear Tempered Glass	NEMA 6
FDU77C2HDSNNGN	FLW976NC2NG	37,500	265	141	100-277 VAC/ 120-250 VDC	5000K (cool white)	Clear Tempered Glass	NEMA 7x6
<b>Single Floodlight Models</b>								
FSU76C2EDDNNGN	FLW666JC2NG	27,500	185	149	100-277 VAC/ 120-250 VDC	5000K (cool white)	Clear Tempered Glass	NEMA 6
FSU77C2EDDNNGN	FLW676JC2NG	26,400	185	143	100-277 VAC/ 120-250 VDC	5000K (cool white)	Clear Tempered Glass	NEMA 7x6

All values typical unless otherwise stated (tolerance +/- 10%).

For neutral white models, replace the 6th character (standard) / 8th character (legacy) with an **N**. Ex. FDU76**C**2MDSNNGN / FLWB66**N**C2NG becomes FDU76**N**2MDSNNGN / FLWB66**N**C2NG. For warm white models, replace the 6th character (standard) / 8th character (legacy) with an **W**. Ex. FDU76**C**2MDSNNGN / FLWB66**N**C2NG becomes FDU76**W**2MDSNNGN / FLWB66**N**W2NG.

Standard Models - 347/480 VAC										
Part Number	Legacy Part Number	Fixture Lumens	Wattage		lm/W		Voltage	CCT	Lens	Beam Distribution
			347 VAC	480 VAC	347 VAC	480 VAC				
<b>Dual Floodlight Models</b>										
FDU76CAMDSNNGN	FLWB66NC5NG	56,000	457	409	122	136	347/480 VAC	5000K (cool white)	Tempered Glass	NEMA 6
FDU7MCAMDSNNGN	FLWBM0NC5NG	54,000	457	409	118	132	347/480 VAC	5000K (cool white)	Tempered Glass	Medium
FDU77CAMDSNNGN	FLWB76NC5NG	54,000	452	404	119	133	347/480 VAC	5000K (cool white)	Tempered Glass	NEMA 7x6
FDU76CAHDSNNGN	FLW966NC5NG	39,000	342	294	114	132	347/480 VAC	5000K (cool white)	Tempered Glass	NEMA 6
FDU77CAHDSNNGN	FLW976NC5NG	37,500	337	289	111	129	347/480 VAC	5000K (cool white)	Tempered Glass	NEMA 7x6

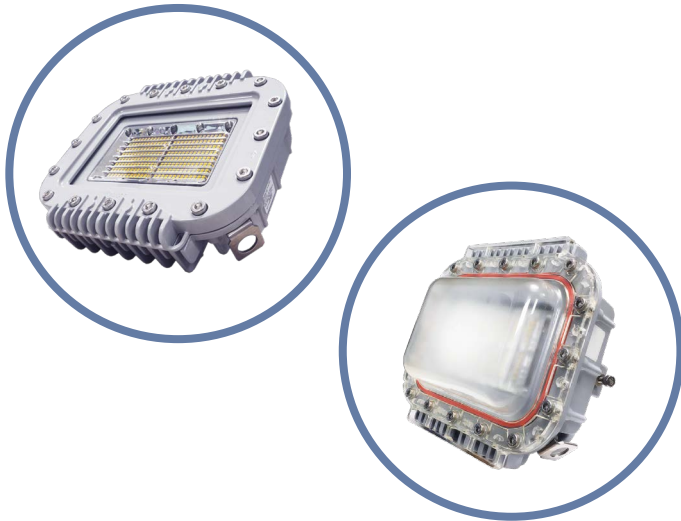
All values typical unless otherwise stated (tolerance +/- 10%).

For neutral white models, replace the 6th character (standard) / 8th character (legacy) with an **N**. Ex. FDU76**C**AMDSNNGN / FLWB66**N**C5NG becomes FDU76**N**AMDSNNGN / FLWB66**N**C5NG. For warm white models, replace the 6th character (standard) / 8th character (legacy) with an **W**. Ex. FDU76**C**AMDSNNGN / FLWB66**N**C5NG becomes FDU76**W**AMDSNNGN / FLWB66**N**W5NG.

**DISCLAIMER.** All product information provided is, to the best of Dialight's knowledge, accurate as of the date of publication. When ordering, refer to [www.dialight.com](http://www.dialight.com) for current versions of: (a) relevant product documentation (including the relevant product data sheets); (b) Dialight terms and conditions of sale; and, (c) the relevant product warranty. To the extent that any contract is deemed formed between Dialight and the purchaser of Dialight products and/or an end-user, versions of documents available at [www.dialight.com](http://www.dialight.com) as at the date of sale shall be the versions incorporated therein. In the event of any discrepancy between this document or information provided at [www.dialight.com](http://www.dialight.com), the latter shall prevail.

# Vigilant® LED Area Light

100-277 VAC, 120-250 VDC

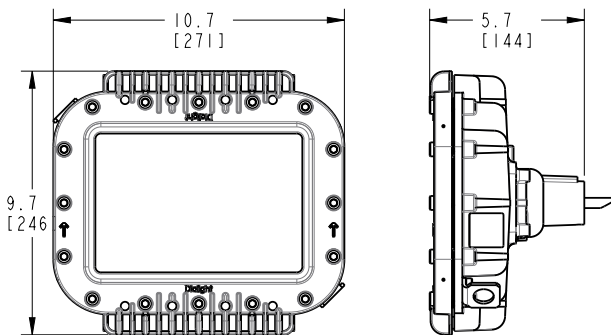


## Certifications & Ratings\*

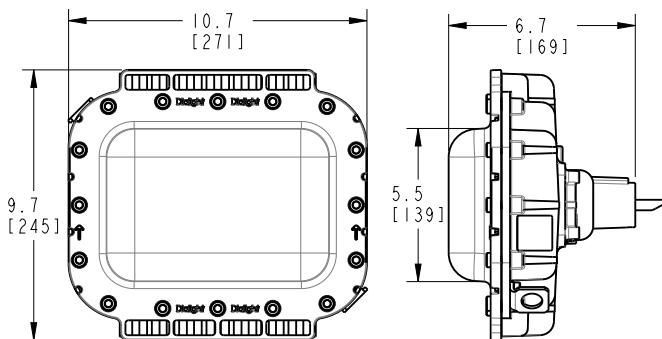
- 10 year warranty
- UL 1598/A
- CSA C22.2 No. 250
- IP66 / 67 / 69
- NEMA 4X
- L70 > 150,000 hours @ 65°C

\*ETL listed

## Tempered Glass Lens



## Polycarbonate Lens



Dimensions in inches [mm]

**WARNING - INSTALLATION & SECONDARY RETENTION.** Use of any Dialight products without proper installation (including secondary retention / netting) and periodic inspections could cause severe injury or death. Dialight recommends that all installations should use secondary retention / netting (appropriate to the installation environment) where applicable. It is the exclusive responsibility of the contractor, installer and/or end-user to: (a) determine the suitability of the product for its intended application; and, (b) ensure that the product is safely installed (with secondary retention / netting where appropriate) and in compliance with all applicable laws and regulations. To the extent permissible under applicable laws, Dialight disclaims all liability for personal injury and/or other damage resulting from any dislodgment or other dislocation of its products.

## Mechanical Information:

**Fixture weight:** 10 lb (4.5 kg) - Polycarbonate lens  
12 lb (5.5 kg) - Tempered glass lens  
with stainless steel bracket: 13 lb (5.9 kg) - Polycarbonate lens  
15 lb (6.8 kg) - Tempered glass lens

**Shipping weight:** Add 2 lb (0.91 kg) to weights above

**Impact rating:** IK10 - Polycarbonate lens  
IK07 - Tempered glass lens

**Cabling:** 10' ST00W 1.02 mm 18 AWG

**Mounting:** Secondary retention standard

## Electrical Specifications:

**Operating voltage:** 100-277 VAC 50/60Hz, 120-250 VDC

**Operating temperature:** -40°F to +149°F (-40°C to +65°C)

**EMC:** FCC Title 47, Subpart B, Section 15, Class A device  
CISPR-15  
RF Immunity 20V/m 80MHz-1GHz.

**Transient protection:** 6 kV, 2 Ohm line-line and line-ground

**Harmonics:** IEC 61000-3-2, Class C

**THD:** < 20%

**Power factor:** > 0.9

## Construction:

**Housing:** Copper-free aluminum

**Finish:** Superior dual coat finish  
- Sealed polyester topcoat

**Lens:** Hard-coated polycarbonate  
Tempered glass

## Photometric Information:

**CRI:** 80

**CCT:** 5000K (cool white)  
4000K (neutral white)

**Optics:** 360°  
180° forward throw for 45° mounting  
Wide for 0° mounting

All values typical unless otherwise stated (tolerance +/- 10%)

# Vigilant® LED Area Light

## 100-277 VAC, 120-250 VDC with Mounting Adapters

### Universal Mounting Adapter



For use with HZXW01, HZXW45 or HZXS45 brackets sold separately



HZXW01



HZXS45



HZXW45

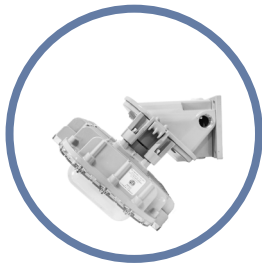
### Wall Mount



### 45° Stanchion Mount



### 45° Wall Mount



### Certifications & Ratings\*

- 10 year warranty
- UL 1598/A
- CSA C22.2 No. 250
- IP66 / 67 / 69
- NEMA 4X
- L70 > 150,000 hours @ 65°C

\*ETL listed

### Mechanical Information:

#### Fixture weight:

UMA models:	12 lb (5.5 kg) - Polycarbonate lens
	15 lb (6.8 kg) - Tempered glass lens
Wall mount models:	15 lb (6.8 kg) - Polycarbonate lens
	18 lb (8.2 kg) - Tempered glass lens
45° wall mount models:	14 lb (6.4 kg) - Polycarbonate lens
	17 lb (7.7 kg) - Tempered glass lens
45° stanchion mount:	15 lb (6.8 kg) - Polycarbonate lens
	18 lb (8.2 kg) - Tempered glass lens

#### Shipping weight:

Add 2 lb (0.91 kg) to weights above

#### Impact rating:

IK10 - Polycarbonate lens  
IK07 - Tempered glass lens

#### Cabling:

14" leads 1.02 mm 18 AWG

#### Mounting:

Secondary retention standard

### Electrical Specifications:

#### Operating voltage:

100-277 VAC 50/60 Hz, 120-250 VDC

#### Operating temperature:

-40°F to +149°F (-40°C to +65°C)

#### EMC:

FCC Title 47, Subpart B, Section 15,  
Class A device  
CISPR-15  
RF Immunity 20V/m 80MHz-1GHz.

#### Transient protection:

6 kV, 2 Ohm line-line and line-ground

#### Harmonics:

IEC 61000-3-2, Class C

#### THD:

< 20%

#### Power factor:

> 0.9

### Construction:

#### Housing:

Copper-free aluminum

#### Finish:

Superior dual coat finish  
- Sealed polyester topcoat

#### Lens:

Hard-coated polycarbonate  
Tempered glass

### Photometric Information:

#### CRI:

80

#### CCT:

5000K (cool white)  
4000K (neutral white)

#### Optics:

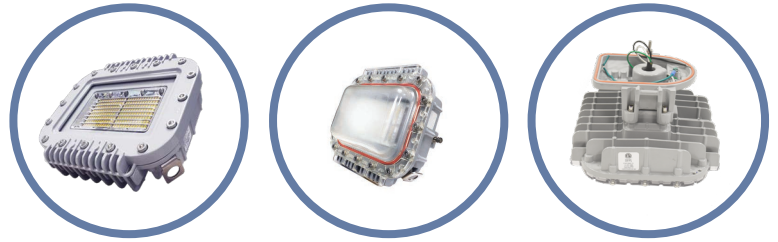
360°  
180° forward throw for 45° mounting  
Wide for 0° mounting

All values typical unless otherwise stated (tolerance +/- 10%)

**WARNING - INSTALLATION & SECONDARY RETENTION.** Use of any Dialight products without proper installation (including secondary retention / netting) and periodic inspections could cause severe injury or death. Dialight recommends that all installations should use secondary retention / netting (appropriate to the installation environment) where applicable. It is the exclusive responsibility of the contractor, installer and/or end-user to: (a) determine the suitability of the product for its intended application; and, (b) ensure that the product is safely installed (with secondary retention / netting where appropriate) and in compliance with all applicable laws and regulations. To the extent permissible under applicable laws, Dialight disclaims all liability for personal injury and/or other damage resulting from any dislodgment or other dislocation of its products.

# Vigilant® LED Area Light

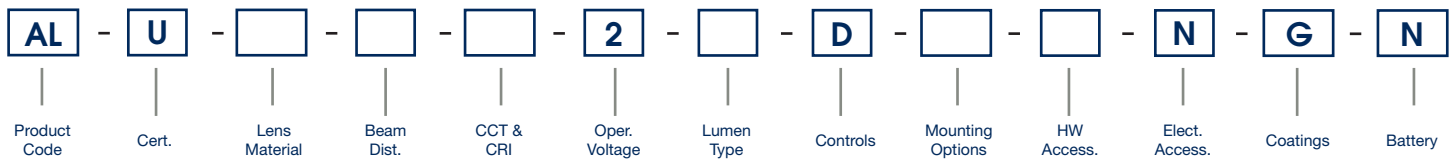
100-277 VAC, 120-250 VDC



Project Information	
Part Number:	
Project:	
Fixture Type:	Date:

Specifications

## Ordering Information



<b>Product Code</b> AL Area Light	<b>CCT &amp; CRI</b> C Cool White 5000K - 80 CRI N Neutral White 4000K - 80 CRI	<b>Mounting Options</b> Retro-fit Adapter Universal Mounting Adapter (UMA) A Appleton Mercmaster III B Swivel Bracket, Locking 0° - 90° 316 Stainless Steel C Crouse-Hinds - Champ G GE Filtr-Gard H Thomas & Betts Hazlux K Killark Certilite & Certilite V M Appleton Mercmaster II N 3/4" NPT S 45° Stanchion Mount U UMA - Mounting Hub V 0° Wall Mount W 45° Wall Mount	<b>Hardware Accessories</b> N For Mounting Options - A, C, G, H, K, M, S, U, V, W, Y (individual wire leads are terminated in adapter housing) W 10 ft (3 meter) Power Cable for Mounting Options - B, N
<b>Certification</b> U UL 1598/A CSA 22.2 No. 250.0	<b>Operating Voltage</b> 2 100-277 VAC, 120-250 VDC		<b>Electrical Accessories</b> N No Option
<b>Lens Material</b> 5 Polycarbonate - Diffused 7 Tempered Glass	<b>Lumen Type</b> 3 3,001 - 4,000 Lumens 4 4,001 - 5,000 Lumens 6 5,001 - 6,000 Lumens 7 6,001 - 7,000 Lumens 9 8,001 - 9,000 Lumens *For lumen output see page 10		<b>Coatings</b> G Gray (RAL 7040)
<b>Beam Distribution</b> A 180° B 360° W Wide	<b>Controls</b> D Dimming (0-10V)		<b>Battery</b> N No Option

Notes
1) When ordering Beam Distribution W - Wide: Lumen Type = 7.
2) When ordering Mounting Options "UMA" or "Retro-fit": Hardware Accessories = N.
3) When ordering Mounting Option U - UMA Mounting Hub HZXW01, HZXW45, HZXS45 or HZXC34 are required. See page 37 for details.

**DISCLAIMER.** All product information provided is, to the best of Dialight's knowledge, accurate as of the date of publication. When ordering, refer to [www.dialight.com](http://www.dialight.com) for current versions of: (a) relevant product documentation (including the relevant product data sheets); (b) Dialight terms and conditions of sale; and, (c) the relevant product warranty. To the extent that any contract is deemed formed between Dialight and the purchaser of Dialight products and/or an end-user, versions of documents available at [www.dialight.com](http://www.dialight.com) as at the date of sale shall be the versions incorporated therein. In the event of any discrepancy between this document or information provided at [www.dialight.com](http://www.dialight.com), the latter shall prevail.

# Ordering Information

## Vigilant® LED Area Light - 100-277 VAC, 120-250 VDC



100-277 VAC, 120-250 VDC Model

Part Number	Lumens	Wattage	lm/W	CCT	CRI	Lens	Beam Distribution	Controls Option	Mounting
ALU-7BC2-9DNW-NGN	9,000	66	136	CW	80	Tempered Glass	360°	Dimming	3/4" Conduit
ALU-5BC2-9DNW-NGN	8,300	66	126	CW	80	Polycarbonate Diffused	360°	Dimming	3/4" Conduit
ALU-7BC2-7DNW-NGN	7,300	52	140	CW	80	Tempered Glass	360°	Dimming	3/4" Conduit
ALU-5BC2-7DNW-NGN	6,700	52	129	CW	80	Polycarbonate Diffused	360°	Dimming	3/4" Conduit
ALU-5AC2-7DNW-NGN	6,600	52	127	CW	80	Polycarbonate Diffused	180°	Dimming	3/4" Conduit
ALU-7BC2-6DNW-NGN	5,700	40	143	CW	80	Tempered Glass	360°	Dimming	3/4" Conduit
ALU-5BC2-6DNW-NGN	5,300	40	133	CW	80	Polycarbonate Diffused	360°	Dimming	3/4" Conduit
ALU-5AC2-6DNW-NGN	5,100	40	128	CW	80	Polycarbonate Diffused	180°	Dimming	3/4" Conduit
ALU-7BC2-4DNW-NGN	4,200	30	140	CW	80	Tempered Glass	360°	Dimming	3/4" Conduit
ALU-5BC2-4DNW-NGN	3,900	30	130	CW	80	Polycarbonate Diffused	360°	Dimming	3/4" Conduit
ALU-7BC2-4DNW-NGN	4,200	30	140	CW	80	Tempered Glass	360	Dimming	3/4" Conduit

All values typical unless otherwise stated (tolerance +/- 10%).

See ordering chart for additional options.

100-277 VAC, 120-250 VDC Model with Retro-fit Adapters

Part Number	Lumens	Wattage	lm/W	CCT	CRI	Lens	Beam Distribution	Controls Option	Mounting
ALU-7BC2-9DCN-NGN	9,000	66	136	CW	80	Tempered Glass	360°	Dimming	Crouse-Hinds Retro-fit
ALU-5BC2-9DCN-NGN	8,300	66	126	CW	80	Polycarbonate Diffused	360°	Dimming	Crouse-Hinds Retro-fit
ALU-5BC2-7DAN-NGN	6,700	69	97	CW	80	Polycarbonate Diffused	360°	Dimming	Appleton M III Retro-fit
ALU-5BC2-7DCN-NGN	6,700	52	129	CW	80	Polycarbonate Diffused	360°	Dimming	Crouse-Hinds Retro-fit
ALU-5BC2-7DGN-NGN	6,700	52	129	CW	80	Polycarbonate Diffused	360°	Dimming	GE H2 Retro-fit
ALU-7BC2-6DCN-NGN	5,700	40	143	CW	80	Tempered Glass	360°	Dimming	Crouse-Hinds Retro-fit
ALU-5BC2-6DAN-NGN	5,300	40	133	CW	80	Polycarbonate Diffused	360°	Dimming	Appleton M III Retro-fit
ALU-5BC2-6DCN-NGN	5,300	40	133	CW	80	Polycarbonate Diffused	360°	Dimming	Crouse-Hinds Retro-fit
ALU-5BC2-6DGN-NGN	5,300	40	133	CW	80	Polycarbonate Diffused	360°	Dimming	GE H2 Retro-fit
ALU-7AC2-4DAN-NGN	4,100	30	137	CW	80	Tempered Glass	180°	Dimming	Appleton M III Retro-fit

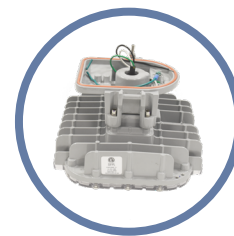
All values typical unless otherwise stated (tolerance +/- 10%).

See ordering chart for additional options.

**DISCLAIMER.** All product information provided is, to the best of Dialight's knowledge, accurate as of the date of publication. When ordering, refer to [www.dialight.com](http://www.dialight.com) for current versions of: (a) relevant product documentation (including the relevant product data sheets); (b) Dialight terms and conditions of sale; and, (c) the relevant product warranty. To the extent that any contract is deemed formed between Dialight and the purchaser of Dialight products and/or an end-user, versions of documents available at [www.dialight.com](http://www.dialight.com) as at the date of sale shall be the versions incorporated therein. In the event of any discrepancy between this document or information provided at [www.dialight.com](http://www.dialight.com), the latter shall prevail.

# Ordering Information

## Vigilant® LED Area Light - 100-277 VAC, 120-250 VDC with Mounting Adapters



HZXW01



HZXS45



HZXW45

100-277 VAC, 120-250 VDC Model with Mounting Adapters

Part Number	Lumens	Wattage	lm/W	CCT	CRI	Lens	Beam Distribution	Controls Option	Mounting
ALU-7BC2-9DUN-NGN	9,000	66	136	CW	80	Tempered Glass	360°	Dimming	Universal Mounting Adapter
ALU-5BC2-9DUN-NGN	8,300	66	126	CW	80	Polycarbonate Diffused	360°	Dimming	Universal Mounting Adapter
ALU-5BC2-7DSN-NGN	6,700	68	99	CW	80	Polycarbonate Diffused	360°	Dimming	Stanchion 45°
ALU-5BC2-7DWN-NGN	6,700	52	129	CW	80	Polycarbonate Diffused	360°	Dimming	Wall Mount 45°
ALU-5AC2-7DSN-NGN	6,600	52	127	CW	80	Polycarbonate Diffused	180°	Dimming	Stanchion 45°
ALU-5AC2-7DWN-NGN	6,600	52	127	CW	80	Polycarbonate Diffused	180°	Dimming	Wall Mount 45°
ALU-7BC2-6DUN-NGN	5,700	40	143	CW	80	Tempered Glass	360°	Dimming	Universal Mounting Adapter
ALU-5BC2-6DSN-NGN	5,300	40	133	CW	80	Polycarbonate Diffused	360°	Dimming	Stanchion 45°
ALU-5BC2-6DUN-NGN	5,300	40	133	CW	80	Polycarbonate Diffused	360°	Dimming	Universal Mounting Adapter
ALU-5BC2-6DVN-NGN	5,300	40	133	CW	80	Polycarbonate Diffused	360°	Dimming	Wall Mount 0°
ALU-5BC2-6DWN-NGN	5,300	40	133	CW	80	Polycarbonate Diffused	360°	Dimming	Wall Mount 45°
ALU-5AC2-6DSN-NGN	5,100	40	128	CW	80	Polycarbonate Diffused	180°	Dimming	Stanchion 45°
ALU-5BC2-4DSN-NGN	3,900	30	130	CW	80	Polycarbonate Diffused	360°	Dimming	Stanchion 45°

All values typical unless otherwise stated (tolerance +/- 10%).

See ordering chart for additional options.

# Vigilant® LED Area Light

## Lumen Tables

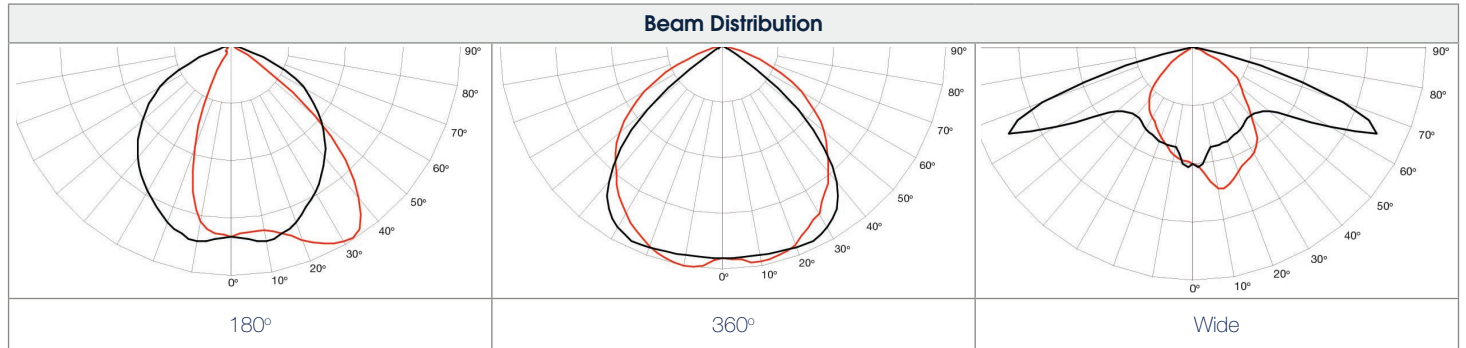
100-277 VAC, 120-250 VDC									
Output Family	Beam Distribution	Lens	Wattage	Lumens 5000 CCT	5000 CCT lm/W	Lumens 4000 CCT	4000 CCT lm/W	Lumens 2700 CCT	2700 CCT lm/W
9,000	360°	Tempered Glass	66	9000	136	8800	134	8200	124
		Class I, Div 1 Glass		8600	131	8400	128	7900	120
		Polycarbonate		8300	127	8100	123	7600	115
	180°	Tempered Glass		8800	134	8600	131	8000	121
		Class I, Div 1 Glass		8400	128	8200	125	7700	117
		Polycarbonate		8100	124	7900	120	7400	112
7,300	360°	Tempered Glass	52	7300	140	7100	138	6700	129
		Class I, Div 1 Glass		7000	135	6800	132	6400	123
		Polycarbonate		6700	131	6500	126	6100	117
	180°	Tempered Glass		7100	138	6900	134	6500	125
		Class I, Div 1 Glass		6800	132	6600	128	6200	119
		Polycarbonate		6600	128	6400	124	6000	115
	Wide	Tempered Glass		7300	114	7100	112	6700	105
		Class I, Div 1 Glass		7000	110	6800	107	6400	100
		Polycarbonate		6700	106	6500	103	6100	95
5,700	360°	Tempered Glass	40	5700	143	5500	140	5200	130
		Class I, Div 1 Glass		5400	137	5200	132	4900	123
		Polycarbonate		5300	133	5100	130	4800	120
	180°	Tempered Glass		5500	140	5300	135	5000	125
		Class I, Div 1 Glass		5300	134	5100	130	4800	120
		Polycarbonate		5100	130	4900	125	4600	115
4,200	360°	Tempered Glass	30	4200	140	4100	137	3800	127
		Class I, Div 1 Glass		4000	134	3900	131	3600	120
		Polycarbonate		3900	130	3800	127	3900	130
	180°	Tempered Glass		4100	137	4000	134	4100	137
		Class I, Div 1 Glass		3900	132	3800	127	3900	130
		Polycarbonate		3800	127	3700	124	3400	113
3,100	360°	Tempered Glass	24	3100	129	3000	127	2800	117
		Class I, Div 1 Glass		2900	124	2900	121	2600	108
		Polycarbonate		2800	120	2700	114	2500	104
	180°	Tempered Glass		3000	127	2900	123	2700	113
		Class I, Div 1 Glass		2900	121	2800	118	2600	108
		Polycarbonate		2800	118	2700	114	2500	104

All values typical unless otherwise stated (tolerance +/- 10%).

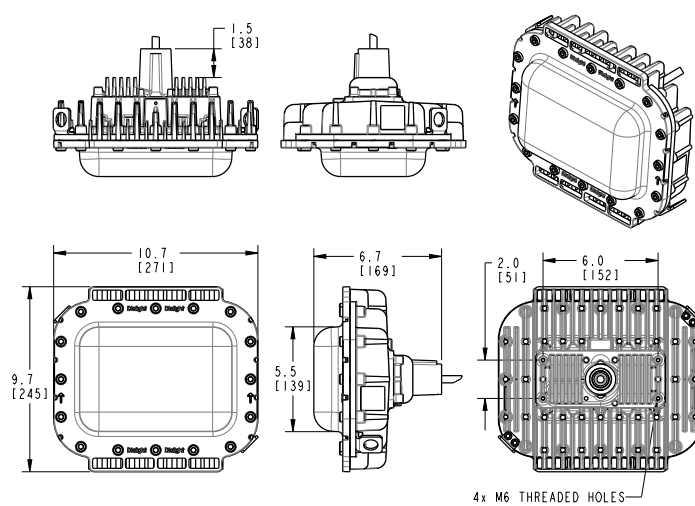
For lighting layouts, please find IES files at [www.dialight.com](http://www.dialight.com)

# Vigilant® LED Area Light

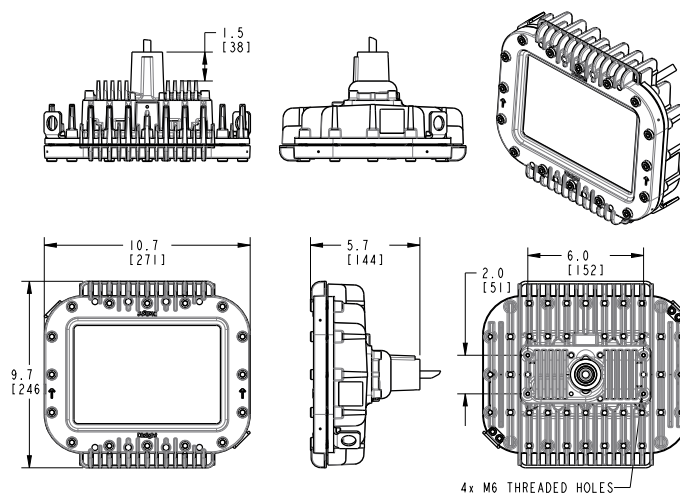
## Beam Distribution & Dimensional Drawings



### Polycarbonate Lens - Option 5



### Tempered Glass Lens - Option 7



**DISCLAIMER.** All product information provided is, to the best of Dialight's knowledge, accurate as of the date of publication. When ordering, refer to [www.dialight.com](http://www.dialight.com) for current versions of: (a) relevant product documentation (including the relevant product data sheets); (b) Dialight terms and conditions of sale; and, (c) the relevant product warranty. To the extent that any contract is deemed formed between Dialight and the purchaser of Dialight products and/or an end-user, versions of documents available at [www.dialight.com](http://www.dialight.com) as at the date of sale shall be the versions incorporated therein. In the event of any discrepancy between this document or information provided at [www.dialight.com](http://www.dialight.com), the latter shall prevail.

# Vigilant® LED Area Light

## Accessories



ALxxx2xDUNxGN

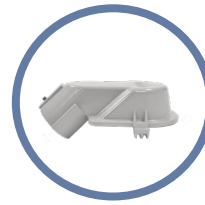
Fixtures are available with a universal mounting adapter factory installed, see product N-chart for details. Choose from one of the four available mounting options:



Wall Mount  
HZXW01



45° Wall Mount  
HZXW45



45° Stanchion Mount  
HZXS45



34mm Slip-fit Pole Mount  
HZXC34



Certified to: UL 50E • CSA C22.2 No. 94.2-07

**HZXSTAN100S**

- 1.00" (1.315" Pole OD) Slip-fit stanchion mount

**HZXSTAN125S**

- 1.25" (1.660" Pole OD) Slip-fit stanchion mount

**HZXSTAN150S**

- 1.50" (1.900" Pole OD) Slip-fit stanchion mount

**HZXSTAN200S**

- 2.00" (2.375" Pole OD) Slip-fit stanchion mount

**HZXSTAN100T**

- 1.00" (1.315" Pole OD) NPT threaded stanchion mount

**HZXSTAN125T**

- 1.25" (1.660" Pole OD) NPT threaded stanchion mount

**HZXSTAN150T**

- 1.50" (1.900" Pole OD) NPT threaded stanchion mount

**HZXSTAN200T**

- 2.00" (2.375" Pole OD) NPT threaded stanchion mount



**HZXW3**

- 316 stainless steel bracket

**HZXW7**

- Aluminum bracket



**HZXW4**

- 316 stainless steel bracket with pipe clamp

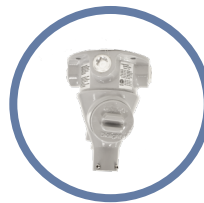
**HZXW8**

- Aluminum bracket with pipe clamp



**HZXSAFECBLS**

- Safety cable kit



Certified to: UL 50E • UL 1203

ISA 12.12.01 • CSA C22.2 No. 94.2-07

**HBXC1**

- 0.75" NPT Ceiling mount



Certified to: UL 50E • CSA C22.2 No. 94.2-07

**HZXJB075**

- 0.75" Ceiling / Wall / Pole mount junction box

**HZXJB100**

- 1.00" Ceiling / Wall / Pole mount junction box

**HZXJB125**

- 1.25" Ceiling / Wall / Pole mount junction box

**HZXJB150**

- 1.50" Ceiling / Wall / Pole mount junction box



Certified to: UL 50E • CSA C22.2 No. 94.2-07

**HZXJB075PC1**

- 0.75" Junction box with photocell

**HZXJB100PC1**

- 1.00" Junction box with photocell

**HZXJB125PC1**

- 1.25" Junction box with photocell

**HZXJB150PC1**

- 1.50" Junction box with photocell

Please reference spec sheet at [www.dialight.com](http://www.dialight.com) for all dimensional drawings of mounting options.

**DISCLAIMER.** All product information provided is, to the best of Dialight's knowledge, accurate as of the date of publication. When ordering, refer to [www.dialight.com](http://www.dialight.com) for current versions of: (a) relevant product documentation (including the relevant product data sheets); (b) Dialight terms and conditions of sale; and, (c) the relevant product warranty. To the extent that any contract is deemed formed between Dialight and the purchaser of Dialight products and/or an end-user, versions of documents available at [www.dialight.com](http://www.dialight.com) as at the date of sale shall be the versions incorporated therein. In the event of any discrepancy between this document or information provided at [www.dialight.com](http://www.dialight.com), the latter shall prevail.

# Vigilant® LED Area Light

## Retro-fit Options

Retro-fit adapters can be factory installed. See product ordering information for details.

- Eaton's Crouse-Hinds – Champ®
- GE Lighting Solutions – Filtr-Gard™
- Holophane Petrolux® II, III
- Thomas & Betts Hazlux®
- Appleton® Mercmaster III
- Appleton® Mercmaster II
- Killark® Certilite® & Certilite® V

\*Petrolux adapter available as a standalone accessory only



Eaton's Crouse-Hinds – Champ® - HZXTCH				
Pendant	Ceiling	Wall	Stanchion	Quad Mount
APM2	CM2	TWM2	JM5	QM25
APM3	CM3	TWM3	PM5	
HPM2				



GE Lighting Solutions – Filtr-Gard™ - HZXTHGE				
Pendant	Ceiling	Wall	Stanchion	Quad Mount
3P	3F	3C	3W	5S
4P	4F		4W	6S
				5J, 6J



Holophane® Petrolux II, III - HZXTHP3				
Pendant	Universal	Stanchion	Ceiling	Wall
PD	UN	SA	CD	WL
GH		ST	CE	W
P		A	B, C, D	

Please reference spec sheet at [www.dialight.com](http://www.dialight.com) for all dimensional drawings of retro-fit options.

**DISCLAIMER.** All product information provided is, to the best of Dialight's knowledge, accurate as of the date of publication. When ordering, refer to [www.dialight.com](http://www.dialight.com) for current versions of: (a) relevant product documentation (including the relevant product data sheets); (b) Dialight terms and conditions of sale; and, (c) the relevant product warranty. To the extent that any contract is deemed formed between Dialight and the purchaser of Dialight products and/or an end-user, versions of documents available at [www.dialight.com](http://www.dialight.com) as at the date of sale shall be the versions incorporated therein. In the event of any discrepancy between this document or information provided at [www.dialight.com](http://www.dialight.com), the latter shall prevail.

# Vigilant® LED Area Light

## Retro-fit Options



Thomas & Betts Hazlux® - HZXTHTB				
Pendant	Pendant Cone	Flexible Pendant	Ceiling	Wall
VP2	VA2	VF2	VC2	VB2
VP3	VA3	VF3	VC3	VB3
Wall	25° Angle Stanchion	25° Angle Stanchion	Straight Stanchion	Straight Stanchion
VB2-VIB	VS4	VS4-VIB	VL4	VL4-VIB
VB3-VIB	VS5	VS5-VIB	VL5	VL5-VIB



Appleton® Mercmaster III - HZXTHAP			
Pendant	Ceiling	Wall	Stanchion
KPA-75, 100	KPC-75	KPWB-75	KPS-125
KPAF-75, 100	KPC-100	KPWB-100	KPS-150
KPCH-75, 100			KPST-125
			KPST-150



Appleton® Mercmaster II - HZXTHM2			
Pendant	Ceiling	Wall	Stanchion
LPA-75	LPC-75	LPWB-75	LPS-125
LPA-100	LPC-100	LPWB-100	LPS-150



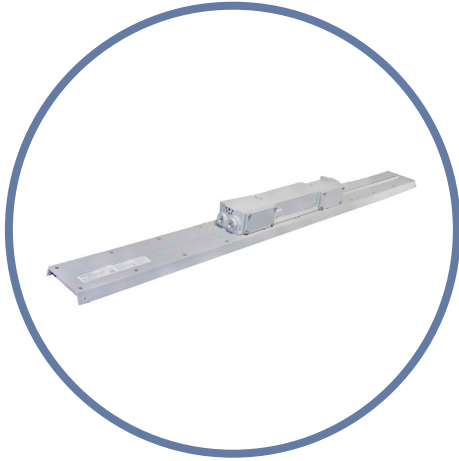
Killark® Certilite® & Certilite® V - HZXTHKL			
Pendant	Ceiling	Wall	Stanchion
VMA2B & VMA-2	VMX2B & VMX-2	VMB2B & VMB-2	VMD4B
VMA3B & VMA-3	VMX3B & VMX-3	VMB3B & VMB-3	VMD5B
VMC2B & VMC-2	VMX6B, 7B, 8B, 9B		VMS5B
VMC3B & VMC-3			
VMF2B, 3B			

Please reference spec sheet at [www.dialight.com](http://www.dialight.com) for all dimensional drawings of retro-fit options.

**DISCLAIMER.** All product information provided is, to the best of Dialight's knowledge, accurate as of the date of publication. When ordering, refer to [www.dialight.com](http://www.dialight.com) for current versions of: (a) relevant product documentation (including the relevant product data sheets); (b) Dialight terms and conditions of sale; and, (c) the relevant product warranty. To the extent that any contract is deemed formed between Dialight and the purchaser of Dialight products and/or an end-user, versions of documents available at [www.dialight.com](http://www.dialight.com) as at the date of sale shall be the versions incorporated therein. In the event of any discrepancy between this document or information provided at [www.dialight.com](http://www.dialight.com), the latter shall prevail.

# Vigilant® LED Linear

## Low Profile - 10 year warranty

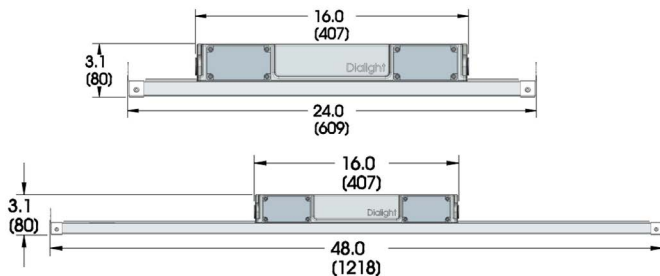


### Certifications & Ratings

- UL 1598/A<sup>1</sup>
- NEMA 4X
- CSA C22.2 No. 250<sup>1</sup>
- 2000 PSI hose-down rating<sup>2</sup>
- IP66/67
- DLC Premium & Standard

<sup>1</sup>ETL listed

<sup>2</sup>Internally tested



Dimensions in inches [mm]

### Mechanical Information:

<b>Fixture weight:</b>	4' - 11 lb (5.0 kg) 2' - 8 lb (3.6 kg)
<b>Shipping weight:</b>	4' - 12 lb (5.4 kg) 2' - 9 lb (4.1 kg)
<b>Mounting:</b>	(4) 3/4" NPT openings Optional swivel bracket - LPXW4 Optional low profile bracket - LPXW4LP

### Variable Dimming:

<b>Variable dimming control:</b>	0-10 VDC
<b>Dimming range:</b>	10 VDC = 100% light output 0 VDC = 5% light output

### Electrical Specifications:

<b>Operating voltage:</b>	100-277 VAC, 50/60Hz 120-250 VDC
<b>Power consumption:</b>	See ordering information
<b>Operating temp:</b>	-40°F to +149°F (-40°C to +65°C)
<b>EMC:</b>	FCC Title 47, Subpart B, Section 15, Class A device. RF Immunity; 10V/m, 80MHz-1GHz
<b>Surge protection:</b>	EN 61000-4-5 6 kV line-to-line 6 kV line-to-ground
<b>Harmonics:</b>	IEC 61000-3-2 Class C ATHD<20%
<b>Power factor:</b>	> 0.9

### Construction:

<b>Finish:</b>	Superior dual coat finish - Sealed polyester topcoat - Chemical resistant epoxy primer
<b>Lens:</b>	Polycarbonate

### Photometric Information:

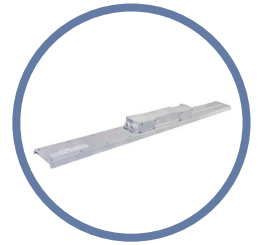
<b>CRI:</b>	80
<b>CCT:</b>	5000K (cool white) 4000K (neutral white)
<b>IES files:</b>	Available at <a href="http://www.dialight.com">www.dialight.com</a>

All values typical unless otherwise stated (tolerance +/- 10%)

**WARNING - INSTALLATION & SECONDARY RETENTION.** Use of any Dialight products without proper installation (including secondary retention / netting) and periodic inspections could cause severe injury or death. Dialight recommends that all installations should use secondary retention / netting (appropriate to the installation environment) where applicable. It is the exclusive responsibility of the contractor, installer and/or end-user to: (a) determine the suitability of the product for its intended application; and, (b) ensure that the product is safely installed (with secondary retention / netting where appropriate) and in compliance with all applicable laws and regulations. To the extent permissible under applicable laws, Dialight disclaims all liability for personal injury and/or other damage resulting from any dislodgment or other dislocation of its products.

# Ordering Information

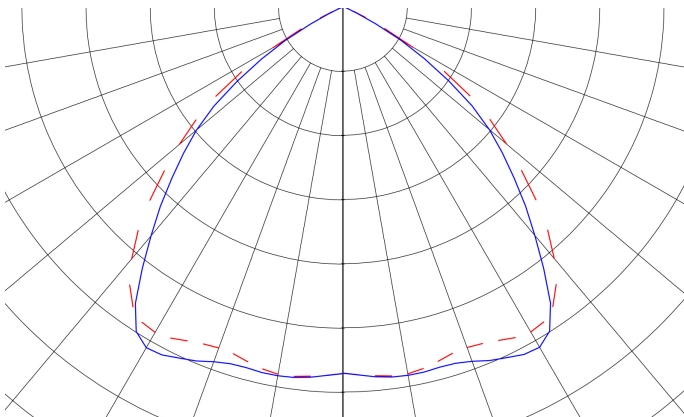
Vigilant® LED Linear - Low Profile - 10 year warranty



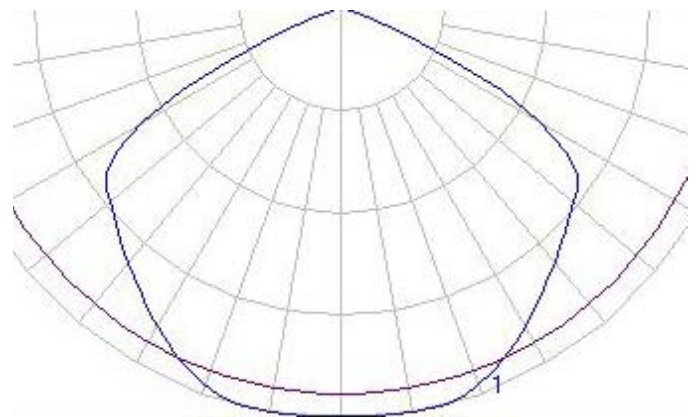
Part Number (x = CCT placeholder)	Length	CRI	Wattage	Fixture Lumens		lm/W		Voltage	Lens	Beam Distribution
				5000K	4000K	5000K	4000K			
LKU-4M(x)2-9DNN-NGN	4'	80	70	9,600	9,300	137	132	100-277 VAC / 120-250 VDC	Clear Polycarbonate	Medium
LKU-5M(x)2-9DNN-NGN	4'	80	70	8,800	8,500	125	121	100-277 VAC / 120-250 VDC	Diffused Polycarbonate	Medium
LKU-4W(x)2-9DNN-NGN	4'	80	70	9,600	9,300	137	132	100-277 VAC / 120-250 VDC	Clear Polycarbonate	Wide
LKU-4M(x)2-7DNN-NGN	4'	80	52	7,250	6,950	139	134	100-277 VAC / 120-250 VDC	Clear Polycarbonate	Medium
LKU-5M(x)2-7DNN-NGN	4'	80	52	6,550	6,250	126	120	100-277 VAC / 120-250 VDC	Diffused Polycarbonate	Medium
LKU-4W(x)2-7DNN-NGN	4'	80	52	7,250	6,950	139	134	100-277 VAC / 120-250 VDC	Clear Polycarbonate	Wide
LJU-4M(x)2-5DNN-NGN	2'	80	37	4,750	4,500	128	122	100-277 VAC / 120-250 VDC	Clear Polycarbonate	Medium
LJU-5M(x)2-5DNN-NGN	2'	80	37	4,450	4,200	120	114	100-277 VAC / 120-250 VDC	Diffused Polycarbonate	Medium
LJU-4W(x)2-5DNN-NGN	2'	80	37	4,750	4,500	128	122	100-277 VAC / 120-250 VDC	Clear Polycarbonate	Wide

All values typical unless otherwise stated (tolerance +/- 10%)  
 CCT placeholders - C=5000K (cool white), N= 4000K (neutral white)  
 For additional ordering options, please consult factory.

Medium



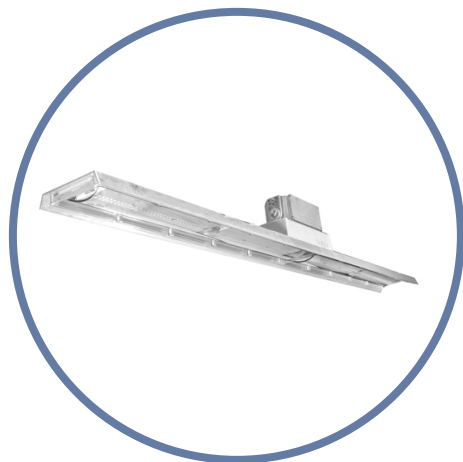
Wide



**DISCLAIMER.** All product information provided is, to the best of Dialight's knowledge, accurate as of the date of publication. When ordering, refer to [www.dialight.com](http://www.dialight.com) for current versions of: (a) relevant product documentation (including the relevant product data sheets); (b) Dialight terms and conditions of sale; and, (c) the relevant product warranty. To the extent that any contract is deemed formed between Dialight and the purchaser of Dialight products and/or an end-user, versions of documents available at [www.dialight.com](http://www.dialight.com) as at the date of sale shall be the versions incorporated therein. In the event of any discrepancy between this document or information provided at [www.dialight.com](http://www.dialight.com), the latter shall prevail.

# Vigilant® LED Linear

## Top Conduit - 10 year warranty

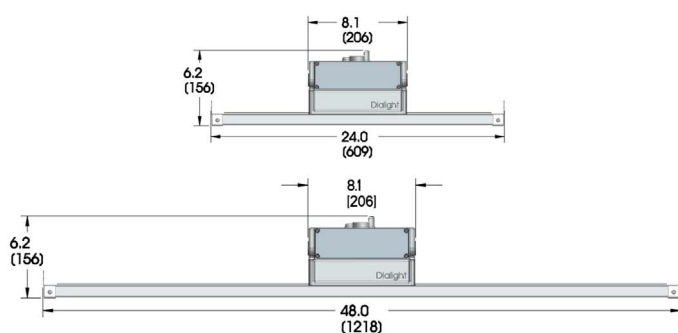


### Certifications & Ratings

- UL 1598/A<sup>1</sup>
- CSA C22.2 No. 250<sup>1</sup>
- IP66/67
- NEMA 4X
- 2000 PSI hose-down rating<sup>2</sup>
- DLC Premium & Standard

<sup>1</sup>ETL listed

<sup>2</sup>Internally tested



Dimensions in inches [mm]

### Mechanical Information:

<b>Fixture weight:</b>	4' - 11 lb (5.0 kg) 2' - 8 lb (3.6 kg)
<b>Shipping weight:</b>	4' - 12 lb (5.4 kg) 2' - 9 lb (4.1 kg)
<b>Mounting:</b>	(4) 3/4" NPT openings Optional swivel bracket - LTXW4 Optional low profile bracket - LTXW4LP

### Variable Dimming:

<b>Variable dimming control:</b>	0-10 VDC
<b>Dimming range:</b>	10 VDC = 100% light output 0 VDC = 5% light output

### Electrical Specifications:

<b>Operating voltage:</b>	100-277 VAC, 50/60Hz 120-250 VDC
<b>Power consumption:</b>	See ordering information
<b>Operating temp:</b>	-40°F to +149°F (-40°C to +65°C)
<b>EMC:</b>	FCC Title 47, Subpart B, Section 15, Class A device. RF Immunity; 10V/m, 80MHz-1GHz
<b>Surge protection:</b>	EN 61000-4-5 6 kV line-to-line 6 kV line-to-ground
<b>Harmonics:</b>	IEC 61000-3-2 Class C ATHD<20%
<b>Power factor:</b>	> 0.9

### Construction:

<b>Finish:</b>	Superior dual coat finish - Sealed polyester topcoat - Chemical resistant epoxy primer
<b>Lens:</b>	Polycarbonate

### Photometric Information:

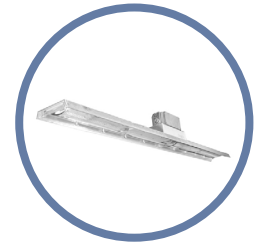
<b>CRI:</b>	80
<b>CCT:</b>	5000K (cool white) 4000K (neutral white)
<b>IES files:</b>	Available at <a href="http://www.dialight.com">www.dialight.com</a>

All values typical unless otherwise stated (tolerance +/- 10%)

**WARNING - INSTALLATION & SECONDARY RETENTION.** Use of any Dialight products without proper installation (including secondary retention / netting) and periodic inspections could cause severe injury or death. Dialight recommends that all installations should use secondary retention / netting (appropriate to the installation environment) where applicable. It is the exclusive responsibility of the contractor, installer and/or end-user to: (a) determine the suitability of the product for its intended application; and, (b) ensure that the product is safely installed (with secondary retention / netting where appropriate) and in compliance with all applicable laws and regulations. To the extent permissible under applicable laws, Dialight disclaims all liability for personal injury and/or other damage resulting from any dislodgment or other dislocation of its products.

# Ordering Information

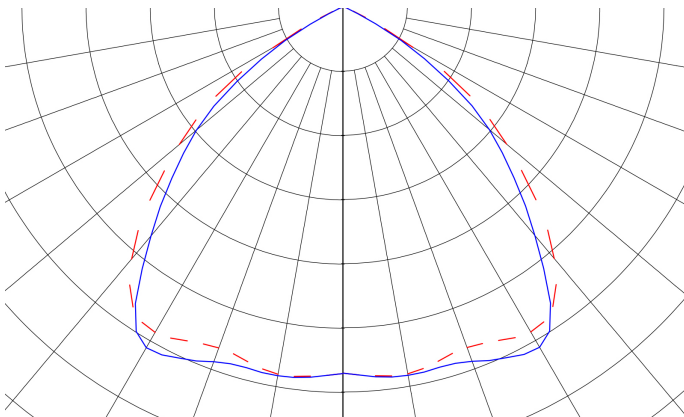
## Vigilant® LED Linear - Top Conduit - 10 year warranty



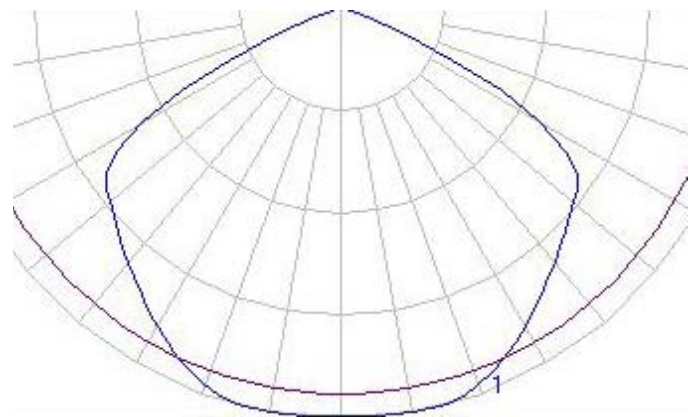
Part Number (x = CCT placeholder)	Length	CRI	Wattage	Fixture Lumens		lm/W		Voltage	Lens	Beam Distribution
				5000K	4000K	5000K	4000K			
LHU-4M(x)2-9DNN-NGN	4'	80	70	9,600	9,300	137	132	100-277 VAC / 120-250 VDC	Clear Polycarbonate	Medium
LHU-5M(x)2-9DNN-NGN	4'	80	70	8,800	8,500	125	121	100-277 VAC / 120-250 VDC	Diffused Polycarbonate	Medium
LHU-4W(x)2-9DNN-NGN	4'	80	70	9,600	9,300	137	132	100-277 VAC / 120-250 VDC	Clear Polycarbonate	Wide
LHU-4M(x)2-7DNN-NGN	4'	80	52	7,250	6,950	139	134	100-277 VAC / 120-250 VDC	Clear Polycarbonate	Medium
LHU-5M(x)2-7DNN-NGN	4'	80	52	6,550	6,250	126	120	100-277 VAC / 120-250 VDC	Diffused Polycarbonate	Medium
LHU-4W(x)2-7DNN-NGN	4'	80	52	7,250	6,950	139	134	100-277 VAC / 120-250 VDC	Clear Polycarbonate	Wide
LGU-4M(x)2-5DNN-NGN	2'	80	37	4,750	4,500	128	122	100-277 VAC / 120-250 VDC	Clear Polycarbonate	Medium
LGU-5M(x)2-5DNN-NGN	2'	80	37	4,450	4,200	120	114	100-277 VAC / 120-250 VDC	Diffused Polycarbonate	Medium
LGU-4W(x)2-5DNN-NGN	2'	80	37	4,750	4,500	128	122	100-277 VAC / 120-250 VDC	Clear Polycarbonate	Wide

All values typical unless otherwise stated (tolerance +/- 10%)  
 CCT placeholders - C=5000K (cool white), N= 4000K (neutral white)  
 For additional ordering options, please consult factory.

Medium



Wide



**DISCLAIMER.** All product information provided is, to the best of Dialight's knowledge, accurate as of the date of publication. When ordering, refer to [www.dialight.com](http://www.dialight.com) for current versions of: (a) relevant product documentation (including the relevant product data sheets); (b) Dialight terms and conditions of sale; and, (c) the relevant product warranty. To the extent that any contract is deemed formed between Dialight and the purchaser of Dialight products and/or an end-user, versions of documents available at [www.dialight.com](http://www.dialight.com) as at the date of sale shall be the versions incorporated therein. In the event of any discrepancy between this document or information provided at [www.dialight.com](http://www.dialight.com), the latter shall prevail.

# DuroSite® LED Floodlight

## Technical Specifications



Standard Models



Slipfitter Models

### Ratings and Certifications

- 10 year warranty
- L70 rated for >100,000 hours
- CSA C22.2 No. 250
- UL 1598/A
- IP66/67
- IK07 (tempered glass) / IK10 (polycarbonate)
- NEMA 4X

\*All features not available on every model. Please refer to product part number pages for model specifics.

### Mechanical Information

<b>Fixture weight:</b>	30 lb (13.6 kg)
<b>Shipping weight:</b>	34 lb (15.4 kg)
<b>EPA (Sq.ft):</b>	1.66 sq.ft
<b>Mounting:</b>	304 stainless steel trunnion mount (standard), integrated slip-fit mount (optional) Secondary retention standard
<b>Entry:</b>	(2) 3/4" NPT cable entry

### Specifications

<b>Voltage options:</b>	100-277 VAC	<b>Housing:</b>	Copper-free aluminum
	347/480 VAC		<b>Lens:</b>
<b>Operating temp:</b>	-40°F to +149°F (-40°C to +65°C)	<b>CRI:</b>	75
<b>Power factor:</b>	>0.9	<b>CCT:</b>	5000K (cool white) 4000K (neutral white)
<b>THD:</b>	<20%		
<b>Surge protection:</b>	IEC 61000-4-5 6kV line-to-line, 6kV line-to-ground		

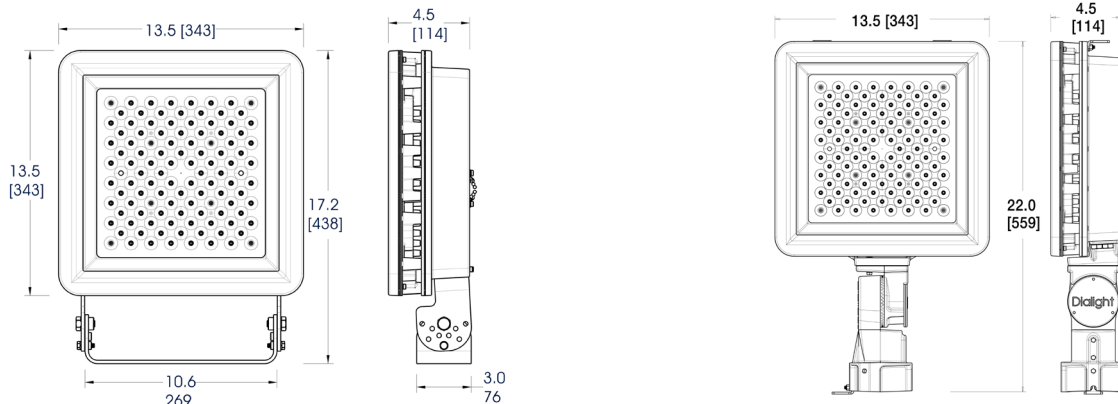
### Comparison

	Warranty	L70
Dialight LED Floodlight	10yr	>100,000
Metal Halide	1	6,000
High Pressure Sodium	1	20,000

### Lumens Wattage lm/W Mounting Heights

Lumens	Wattage	lm/W	Mounting Heights
15,000	135	111	30' ↑ ↓ 15'
14,750	135	109	
13,500	140	96	
11,500	106	108	
11,250	106	106	
11,000	106	104	
10,750	106	101	
10,500	106	99	

### Dimensions



Dimensions in inches [mm]

**WARNING - INSTALLATION & SECONDARY RETENTION.** Use of any Dialight products without proper installation (including secondary retention / netting) and periodic inspections could cause severe injury or death. Dialight recommends that all installations should use secondary retention / netting (appropriate to the installation environment) where applicable. It is the exclusive responsibility of the contractor, installer and/or end-user to: (a) determine the suitability of the product for its intended application; and, (b) ensure that the product is safely installed (with secondary retention / netting where appropriate) and in compliance with all applicable laws and regulations. To the extent permissible under applicable laws, Dialight disclaims all liability for personal injury and/or other damage resulting from any dislodgment or other dislocation of its products.

# DuroSite® LED Floodlight

## Ordering Information - Trunnion Mount Models

Legacy Part Number	New Part Number	Fixture Lumens	Wattage	lm/W	Voltage	CCT	Beam Distribution
<b>100-277 VAC Models - Tempered Glass Lens</b>							
FLW466NC4NG	FLU76B2BNTNNGN	15,000	135	111	100-277 VAC	5000K (cool white)	NEMA 6 (115°)
FLW476NC4NG	FLU77B2BNTNNGN	14,750	135	109	100-277 VAC	5000K (cool white)	NEMA 7x6 (140° x 115°)
FLW467NC4NG	FLU78B2BNTNNGN	14,750	135	109	100-277 VAC	5000K (cool white)	NEMA 6x7 (115° x 140°)
FLW455NC4NG	FLU75B2BNTNNGN	14,500	140	104	100-277 VAC	5000K (cool white)	NEMA 5 (93°)
FLW444NC4NG	FLU74B2BNTNNGN	14,500	140	104	100-277 VAC	5000K (cool white)	NEMA 4 (52°)
FLW422NC4NG	FLU72B2BNTNNGN	13,500	140	96	100-277 VAC	5000K (cool white)	NEMA 2 (23°)
FLW276NC2NG	FLU77B2ANTNNGN	11,500	106	108	100-277 VAC	5000K (cool white)	NEMA 7x6 (140° x 115°)
FLW267NC2NG	FLU78B2ANTNNGN	11,500	106	108	100-277 VAC	5000K (cool white)	NEMA 6x7 (115° x 140°)
FLW266NC2NG	FLU76B2ANTNNGN	11,250	106	106	100-277 VAC	5000K (cool white)	NEMA 6 (115°)
FLW255NC2NG	FLU75B2ANTNNGN	11,000	106	104	100-277 VAC	5000K (cool white)	NEMA 5 (93°)
FLW244NC2NG	FLU74B2ANTNNGN	10,500	106	99	100-277 VAC	5000K (cool white)	NEMA 4 (52°)
FLW222NC2NG	FLU72B2ANTNNGN	10,750	106	101	100-277 VAC	5000K (cool white)	NEMA 2 (23°)
<b>100-277 VAC Models - Polycarbonate Lens</b>							
FLW466NC4NP	FLU46B2BNTNNGN	14,000	135	104	100-277 VAC	5000K (cool white)	NEMA 6 (115°)
FLW476NC4NP	FLU47B2BNTNNGN	13,750	135	102	100-277 VAC	5000K (cool white)	NEMA 7x6 (140° x 115°)
FLW467NC4NP	FLU48B2BNTNNGN	13,750	135	102	100-277 VAC	5000K (cool white)	NEMA 6x7 (115° x 140°)
FLW455NC4NP	FLU45B2BNTNNGN	13,500	140	96	100-277 VAC	5000K (cool white)	NEMA 5 (93°)
FLW444NC4NP	FLU44B2BNTNNGN	13,500	140	96	100-277 VAC	5000K (cool white)	NEMA 4 (52°)
FLW422NC4NP	FLU42B2BNTNNGN	12,500	140	89	100-277 VAC	5000K (cool white)	NEMA 2 (23°)
FLW276NC2NP	FLU47B2ANTNNGN	10,500	106	99	100-277 VAC	5000K (cool white)	NEMA 7x6 (140° x 115°)
FLW267NC2NP	FLU48B2ANTNNGN	10,500	106	99	100-277 VAC	5000K (cool white)	NEMA 6x7 (115° x 140°)
FLW266NC2NP	FLU46B2ANTNNGN	10,250	106	97	100-277 VAC	5000K (cool white)	NEMA 6 (115°)
FLW255NC2NP	FLU45B2ANTNNGN	10,000	106	94	100-277 VAC	5000K (cool white)	NEMA 5 (93°)
FLW244NC2NP	FLU44B2ANTNNGN	9,500	106	90	100-277 VAC	5000K (cool white)	NEMA 4 (52°)
FLW222NC2NP	FLU42B2ANTNNGN	9,750	106	92	100-277 VAC	5000K (cool white)	NEMA 2 (23°)
<b>347/480 VAC Models - Tempered Glass Lens Only</b>							
FLW466NC5NG	FLU76B5BNTNNGN	15,000	135	111	347/480 VAC	5000K (cool white)	NEMA 6 (115°)
FLW476NC5NG	FLU77B5BNTNNGN	14,750	135	109	347/480 VAC	5000K (cool white)	NEMA 7x6 (140° x 115°)
FLW467NC5NG	FLU78B5BNTNNGN	14,750	135	109	347/480 VAC	5000K (cool white)	NEMA 6x7 (115° x 140°)
FLW455NC5NG	FLU75B5BNTNNGN	14,500	140	104	347/480 VAC	5000K (cool white)	NEMA 5 (93°)
FLW444NC5NG	FLU74B5BNTNNGN	14,500	140	104	347/480 VAC	5000K (cool white)	NEMA 4 (52°)
FLW422NC5NG	FLU72B5BNTNNGN	13,500	140	96	347/480 VAC	5000K (cool white)	NEMA 2 (23°)
FLW276NC5NG	FLU77B5ANTNNGN	11,750	112	105	347/480 VAC	5000K (cool white)	NEMA 7x6 (140° x 115°)
FLW267NC5NG	FLU78B5ANTNNGN	11,750	112	105	347/480 VAC	5000K (cool white)	NEMA 6x7 (115° x 140°)
FLW266NC5NG	FLU76B5ANTNNGN	11,250	112	100	347/480 VAC	5000K (cool white)	NEMA 6 (115°)
FLW255NC5NG	FLU75B5ANTNNGN	10,000	112	89	347/480 VAC	5000K (cool white)	NEMA 5 (93°)
FLW244NC5NG	FLU74B5ANTNNGN	10,000	112	89	347/480 VAC	5000K (cool white)	NEMA 4 (52°)
FLW222NC5NG	FLU72B5ANTNNGN	10,000	112	89	347/480 VAC	5000K (cool white)	NEMA 2 (23°)

All values typical unless otherwise stated (tolerance +/- 10%).

Part numbers listed in the table above are cool white. For neutral white models, replace the 8th character (legacy) or 5th character (platform) with an **N**. For bronze powder coat, replace the 10th character (legacy) or 13th character (platform) with a **Z**.

**DISCLAIMER.** All product information provided is, to the best of Dialight's knowledge, accurate as of the date of publication. When ordering, refer to [www.dialight.com](http://www.dialight.com) for current versions of: (a) relevant product documentation (including the relevant product data sheets); (b) Dialight terms and conditions of sale; and, (c) the relevant product warranty. To the extent that any contract is deemed formed between Dialight and the purchaser of Dialight products and/or an end-user, versions of documents available at [www.dialight.com](http://www.dialight.com) as at the date of sale shall be the versions incorporated therein. In the event of any discrepancy between this document or information provided at [www.dialight.com](http://www.dialight.com), the latter shall prevail.

# DuroSite® LED Floodlight

## Ordering Information - Integrated Slip-Fit Models

Legacy Part Number	New Part Number	Fixture Lumens	Wattage	lm/W	Voltage	CCT	Beam Distribution
<b>100-277 VAC Models - Tempered Glass Lens</b>							
FLW466SC4NG	FLU76B2BNSNNGN	15,000	135	111	100-277 VAC	5000K (cool white)	NEMA 6 (115°)
FLW476SC4NG	FLU77B2BNSNNGN	14,750	135	109	100-277 VAC	5000K (cool white)	NEMA 7x6 (140° x 115°)
FLW467SC4NG	FLU78B2BNSNNGN	14,750	135	109	100-277 VAC	5000K (cool white)	NEMA 6x7 (115° x 140°)
FLW455SC4NG	FLU75B2BNSNNGN	14,500	140	104	100-277 VAC	5000K (cool white)	NEMA 5 (93°)
FLW444SC4NG	FLU74B2BNSNNGN	14,500	140	104	100-277 VAC	5000K (cool white)	NEMA 4 (52°)
FLW422SC4NG	FLU72B2BNSNNGN	13,500	140	96	100-277 VAC	5000K (cool white)	NEMA 2 (23°)
FLW276SC2NG	FLU77B2ANSNNGN	11,500	106	108	100-277 VAC	5000K (cool white)	NEMA 7x6 (140° x 115°)
FLW267SC2NG	FLU78B2ANSNNGN	11,500	106	108	100-277 VAC	5000K (cool white)	NEMA 6x7 (115° x 140°)
FLW266SC2NG	FLU76B2ANSNNGN	11,250	106	106	100-277 VAC	5000K (cool white)	NEMA 6 (115°)
FLW255SC2NG	FLU75B2ANSNNGN	11,000	106	104	100-277 VAC	5000K (cool white)	NEMA 5 (93°)
FLW244SC2NG	FLU74B2ANSNNGN	10,500	106	99	100-277 VAC	5000K (cool white)	NEMA 4 (52°)
FLW222SC2NG	FLU72B2ANSNNGN	10,750	106	101	100-277 VAC	5000K (cool white)	NEMA 2 (23°)
<b>100-277 VAC Models - Polycarbonate Lens</b>							
FLW466SC4NP	FLU46B2BNSNNGN	14,000	135	104	100-277 VAC	5000K (cool white)	NEMA 6 (115°)
FLW476SC4NP	FLU47B2BNSNNGN	13,750	135	102	100-277 VAC	5000K (cool white)	NEMA 7x6 (140° x 115°)
FLW467SC4NP	FLU48B2BNSNNGN	13,750	135	102	100-277 VAC	5000K (cool white)	NEMA 6x7 (115° x 140°)
FLW455SC4NP	FLU45B2BNSNNGN	13,500	140	96	100-277 VAC	5000K (cool white)	NEMA 5 (93°)
FLW444SC4NP	FLU44B2BNSNNGN	13,500	140	96	100-277 VAC	5000K (cool white)	NEMA 4 (52°)
FLW422SC4NP	FLU42B2BNSNNGN	12,500	140	89	100-277 VAC	5000K (cool white)	NEMA 2 (23°)
FLW276SC2NP	FLU47B2ANSNNGN	10,500	106	99	100-277 VAC	5000K (cool white)	NEMA 7x6 (140° x 115°)
FLW267SC2NP	FLU48B2ANSNNGN	10,500	106	99	100-277 VAC	5000K (cool white)	NEMA 6x7 (115° x 140°)
FLW266SC2NP	FLU46B2ANSNNGN	10,250	106	97	100-277 VAC	5000K (cool white)	NEMA 6 (115°)
FLW255SC2NP	FLU45B2ANSNNGN	10,000	106	94	100-277 VAC	5000K (cool white)	NEMA 5 (93°)
FLW244SC2NP	FLU44B2ANSNNGN	9,500	106	90	100-277 VAC	5000K (cool white)	NEMA 4 (52°)
FLW222SC2NP	FLU42B2ANSNNGN	9,750	106	92	100-277 VAC	5000K (cool white)	NEMA 2 (23°)
<b>347/480 VAC Models - Tempered Glass Lens Only</b>							
FLW466SC5NG	FLU76B5BNSNNGN	15,000	135	111	347/480 VAC	5000K (cool white)	NEMA 6 (115°)
FLW476SC5NG	FLU77B5BNSNNGN	14,750	135	109	347/480 VAC	5000K (cool white)	NEMA 7x6 (140° x 115°)
FLW467SC5NG	FLU78B5BNSNNGN	14,750	135	109	347/480 VAC	5000K (cool white)	NEMA 6x7 (115° x 140°)
FLW455SC5NG	FLU75B5BNSNNGN	14,500	140	104	347/480 VAC	5000K (cool white)	NEMA 5 (93°)
FLW444SC5NG	FLU74B5BNSNNGN	14,500	140	104	347/480 VAC	5000K (cool white)	NEMA 4 (52°)
FLW422SC5NG	FLU72B5BNSNNGN	13,500	140	96	347/480 VAC	5000K (cool white)	NEMA 2 (23°)
FLW276SC5NG	FLU77B5ANSNNGN	11,750	112	105	347/480 VAC	5000K (cool white)	NEMA 7x6 (140° x 115°)
FLW267SC5NG	FLU78B5ANSNNGN	11,750	112	105	347/480 VAC	5000K (cool white)	NEMA 6x7 (115° x 140°)
FLW266SC5NG	FLU76B5ANSNNGN	11,250	112	100	347/480 VAC	5000K (cool white)	NEMA 6 (115°)
FLW255SC5NG	FLU75B5ANSNNGN	10,000	112	89	347/480 VAC	5000K (cool white)	NEMA 5 (93°)
FLW244SC5NG	FLU74B5ANSNNGN	10,000	112	89	347/480 VAC	5000K (cool white)	NEMA 4 (52°)
FLW222SC5NG	FLU72B5ANSNNGN	10,000	112	89	347/480 VAC	5000K (cool white)	NEMA 2 (23°)

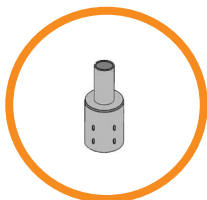
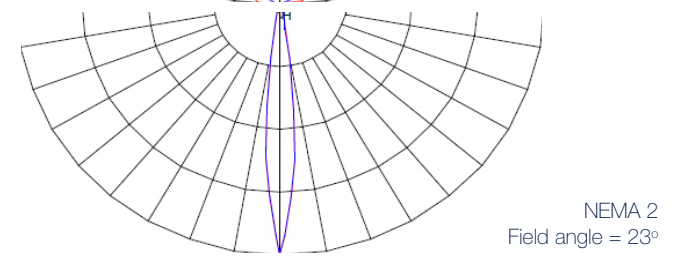
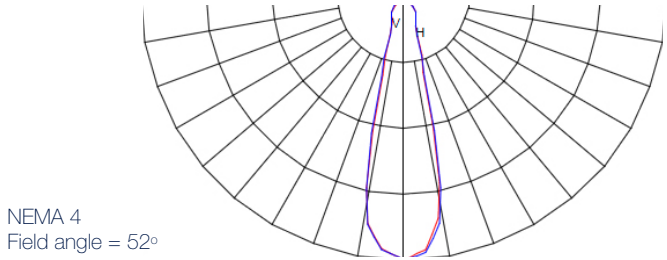
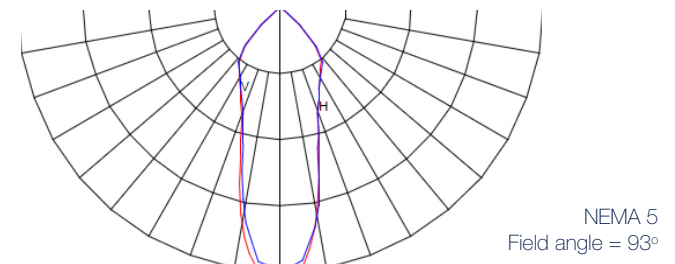
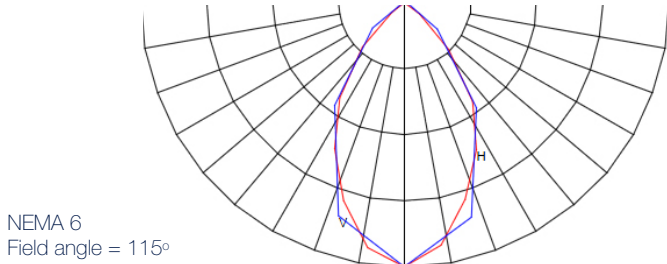
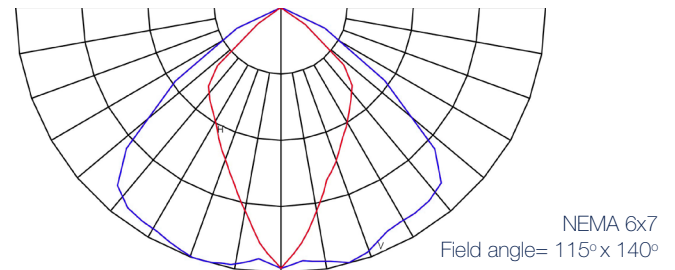
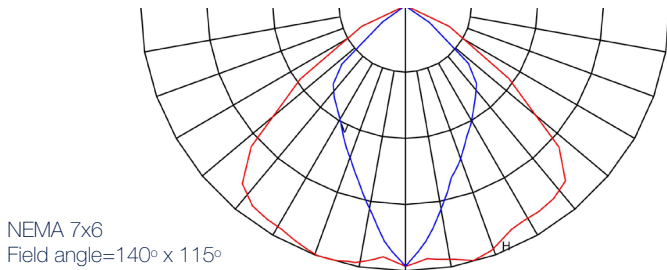
All values typical unless otherwise stated (tolerance +/- 10%).

Part numbers listed in the table above are cool white. For neutral white models, replace the 8th character (legacy) or 5th character (platform) with an **N**. For bronze powder coat, replace the 10th character (legacy) or 13th character (platform) with a **Z**.

**DISCLAIMER.** All product information provided is, to the best of Dialight's knowledge, accurate as of the date of publication. When ordering, refer to [www.dialight.com](http://www.dialight.com) for current versions of: (a) relevant product documentation (including the relevant product data sheets); (b) Dialight terms and conditions of sale; and, (c) the relevant product warranty. To the extent that any contract is deemed formed between Dialight and the purchaser of Dialight products and/or an end-user, versions of documents available at [www.dialight.com](http://www.dialight.com) as at the date of sale shall be the versions incorporated therein. In the event of any discrepancy between this document or information provided at [www.dialight.com](http://www.dialight.com), the latter shall prevail.

# DuroSite® LED Floodlight

## Beam Distributions & Accessories



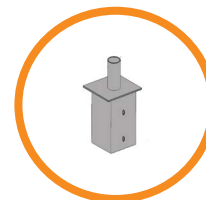
**FLX-3RPA-20DB**

- Reducer for 3" OD round pole top to 2-3/8" light mount



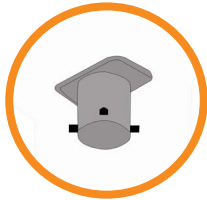
**HZXCBL2**

- Stainless steel safety cable kit



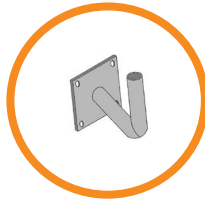
**FLX-4SPA-20DB**

- Internal tenon adapter for 4" square pole top to 2-3/8" light mount



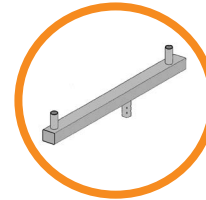
**FLX-4RPA-20DB**

- Reducer for 4" OD round pole top to 2-3/8" light mount



**FLX-1RAB-20DB**

- Tenon pole topper, 2-3/8" mount



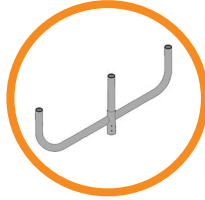
**FLX-5SPA-20DB**

- 5" square pole top to 2-3/8" light mount



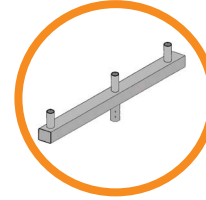
**FLX-6SPA-20DB**

- 6" square pole top to 2-3/8" light mount



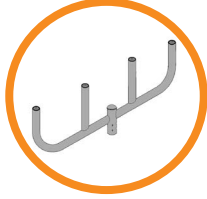
**FLX-1TPT-20DB**

- Tenon pole topper, 2-3/8" mount



**FLX-2RSR-20DB**

- Round square round bracket for 2 lights, 2-3/8" mount, 21" spacing



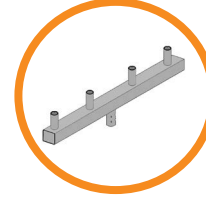
**FLX-2LBH-20DB**

- Bull horn for 2 lights, 2-3/8" mount, 21" spacing



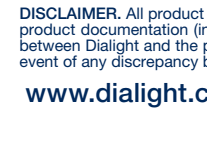
**FLX-3LBH-20DB**

- Bull horn for 3 lights, 2-3/8" mount, 21" spacing



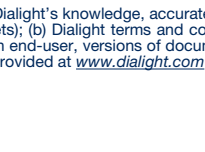
**FLX-3RSR-20DB**

- Round square round bracket for 3 lights, 2-3/8" mount, 21" spacing



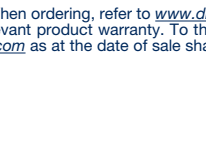
**FLX-4LBH-20DB**

- Bull horn for 4 lights, 2-3/8" mount, 21" spacing



**FLX-4RBH-20DB**

- Bull horn for 4 lights in star configuration, 2-3/8" mount, 21" spacing



**FLX-4RSR-20DB**

- Round square round bracket for 4 lights, 2-3/8" mount, 21" spacing

**DISCLAIMER.** All product information provided is, to the best of Dialight's knowledge, accurate as of the date of publication. When ordering, refer to [www.dialight.com](http://www.dialight.com) for current versions of: (a) relevant product documentation (including the relevant product data sheets); (b) Dialight terms and conditions of sale; and, (c) the relevant product warranty. To the extent that any contract is deemed formed between Dialight and the purchaser of Dialight products and/or an end-user, versions of documents available at [www.dialight.com](http://www.dialight.com) as at the date of sale shall be the versions incorporated therein. In the event of any discrepancy between this document or information provided at [www.dialight.com](http://www.dialight.com), the latter shall prevail.

# DuroSite® LED Area Light

347/480 VAC

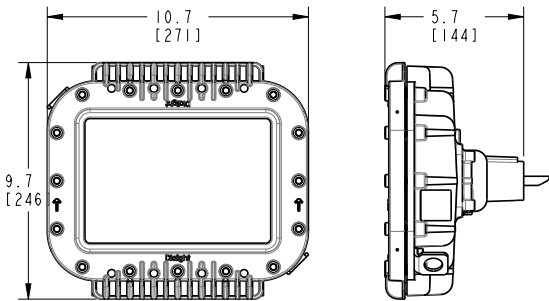


## Certifications & Ratings\*

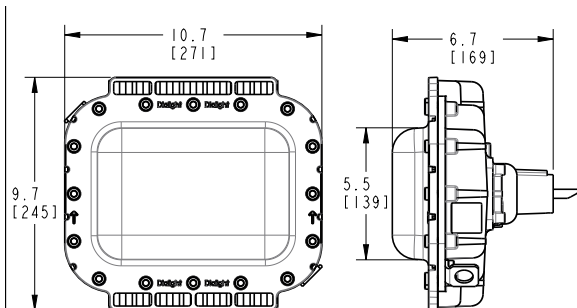
- 5 year warranty
- UL 1598/A
- CSA C22.2 No. 250
- IP66 / 67
- NEMA 4X
- L70 > 100,000 hours @ 25°C

\*ETL listed

## Tempered Glass Lens



## Polycarbonate Lens



Dimensions in inches [mm]

## Mechanical Information:

**Fixture weight:** 10 lb (4.5 kg) - Polycarbonate lens  
12 lb (5.5 kg) - Tempered glass lens  
**with stainless steel bracket:** 13 lb (5.9 kg) - Polycarbonate lens  
15 lb (6.8 kg) - Tempered glass lens

**Shipping weight:** Add 2 lb (0.91 kg) to weights above

**Cabling:** 10' (3.5 m) 5 conductor ST00W/S00W  
14" (0.4 m) 5 conductor ST00W/S00W  
Terminal block option available for wall, wall 45° and stanchion 45°

**Impact rating:** IK10 - Polycarbonate lens  
IK07 - Tempered glass lens

**Cabling:** 10' ST00W/S00W 1.02 mm 18 AWG

**Mounting:** Secondary retention standard

## Electrical Specifications:

**Operating voltage:** 347/480 VAC

**Total system power consumption:** See table

**Operating temperature:** -40°F to +149°F (-40°C to +65°C)

**EMC:** FCC Title 47, Subpart B, Section 15, Class A device  
CISPR-15  
RF Immunity 20V/m 80MHz-1GHz.

**Transient protection:** 6 kV, 2 Ohm line-line and line-ground

**Harmonics:** IEC 61000-3-2, Class C

**THD:** < 20%

**Power factor:** > 0.9

## Construction:

**Housing:** Copper-free aluminum

**Finish:** Superior dual coat finish  
- Sealed polyester topcoat

**Lens:** Hard-coated polycarbonate  
Tempered glass

## Photometric Information:

**CRI:** 75

**CCT:** 5000K (cool white)

**Optics:** 360°  
180° forward throw for 45° mounting  
Wide for 0° mounting

All values typical unless otherwise stated (tolerance +/- 10%)

# DuroSite® LED Area Light

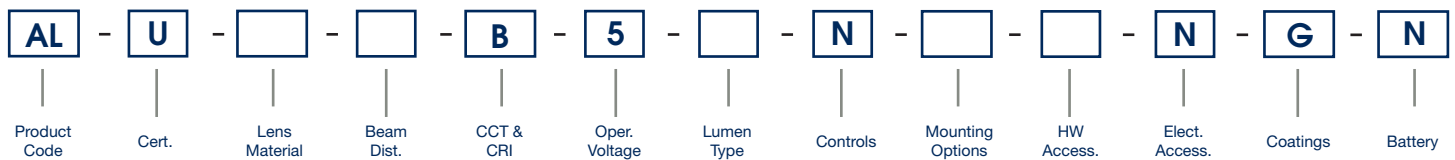
347/480 VAC



Project Information	
Part Number:	
Project:	
Fixture Type:	Date:

Specifications

## Ordering Information



**Product Code**

AL	Area Light
----	------------

**CCT & CRI**

B	Cool White 5000K - 70 CRI
---	---------------------------

**Mounting Options**

	Retro-fit Adapter
	Universal Mounting Adapter (UMA)

**Hardware Accessories**

N	For Mounting Options - A, C, G, H, K, M, S, U, V, W, Y (individual wire leads are terminated in adapter housing)
W	10 ft (3 meter) Power Cable for Mounting Options - B, N

**Certification**

U	UL 1598/A CSA 22.2 No. 250.0
---	------------------------------

**Operating Voltage**

5	347/480 VAC
---	-------------

A	Appleton Mercmaster III
B	Swivel Bracket, Locking 0°- 90° 316 Stainless Steel
C	Crouse-Hinds - Champ
G	GE Filtr-Gard
H	Thomas & Betts Hazlux
K	Killark Certilite & Certilite V
M	Appleton Mercmaster II
N	3/4" NPT
S	45° Stanchion Mount
U	UMA - Mounting Hub
V	0° Wall Mount
W	45° Wall Mount

**Electrical Accessories**

N	No Option
---	-----------

**Lens Material**

5	Polycarbonate - Diffused
7	Tempered Glass

**Lumen Type**

4	3.1 - 4K
5	4.1 - 5K
6	5.1 - 6K
7	6.1 - 7K

**Coatings**

G	Gray (RAL 7040)
---	-----------------

**Beam Distribution**

A	180°
B	360°

**Controls**

N	No Options
---	------------

**Battery**

N	No Option
---	-----------

**Notes**

- 1) When using "UMA" or "Retro-fit" mounting options, Hardware Accessories = N.
- 2) Not all lumen options available for all voltage options, consult table.

347/480 VAC Model

Part Number	Lumens	Wattage	lm/W	CCT	CRI	Lens	Beam Distribution	Controls Option	Mounting
ALU-7BB5-6NNW-NGN	6,000	58	103	CW	75	Tempered Glass	360°	No Dimming	3/4" Conduit
ALU-5BB5-6NNW-NGN	5,700	58	98	CW	75	Polycarbonate Diffused	360°	No Dimming	3/4" Conduit
ALU-7BB5-5NNW-NGN	5,000	47	106	CW	75	Tempered Glass	360°	No Dimming	3/4" Conduit

All values typical unless otherwise stated (tolerance +/- 10%).

DISCLAIMER. All product information provided is, to the best of Dialight's knowledge, accurate as of the date of publication. When ordering, refer to [www.dialight.com](http://www.dialight.com) for current versions of: (a) relevant product documentation (including the relevant product data sheets); (b) Dialight terms and conditions of sale; and, (c) the relevant product warranty. To the extent that any contract is deemed formed between Dialight and the purchaser of Dialight products and/or an end-user, versions of documents available at [www.dialight.com](http://www.dialight.com) as at the date of sale shall be the versions incorporated therein. In the event of any discrepancy between this document or information provided at [www.dialight.com](http://www.dialight.com), the latter shall prevail.

# DuroSite® LED Area Light

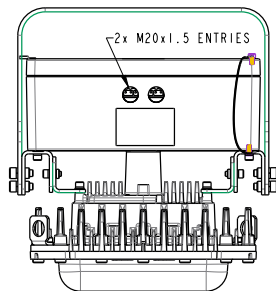
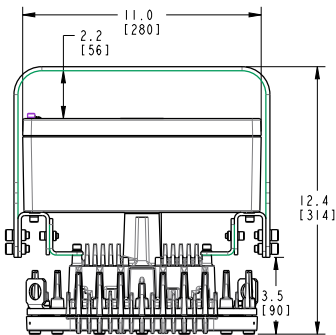
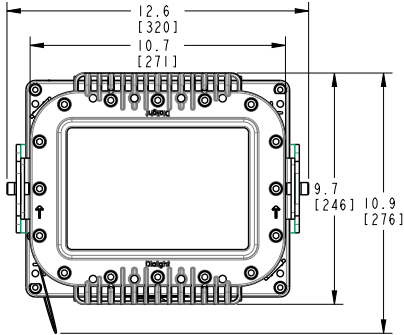
## 120-277 VAC Battery Backup



### Certifications & Ratings\*

- 5 year warranty
- UL 1598/A
- CSA C22.2 No. 250
- IP66 / 67
- NEMA 4X
- Maintained or sustained modes selectable via jumper

\*ETL listed



Dimensions in inches [mm]

### Mechanical Information:

<b>Fixture weight:</b>	35 lb (15.9 kg) - Polycarbonate lens 37 lb (16.8 kg) - Tempered glass lens
<b>Shipping weight:</b>	Add 2 lb (0.91 kg) to weights above
<b>Impact rating:</b>	IK10 - Polycarbonate lens IK07 - Tempered glass lens
<b>Wiring entries:</b>	2xM20
<b>Mounting:</b>	Secondary retention standard

### Electrical Specifications:

<b>Operating voltage:</b>	120-277 VAC Battery Backup
<b>Total system power consumption:</b>	See table
<b>Operating temperature:</b>	-40°F to +149°F (-40°C to +65°C)
<b>EMC:</b>	FCC Title 47, Subpart B, Section 15, Class A device RF Immunity 20V/m 80MHz-1GHz.
<b>Transient protection:</b>	6 kV, 2 Ohm line-line and line-ground
<b>Harmonics:</b>	IEC 61000-3-2, Class C
<b>THD:</b>	< 20%
<b>Power factor:</b>	> 0.9
<b>Construction:</b>	
<b>Housing:</b>	Copper-free aluminum
<b>Finish:</b>	Superior dual coat finish - Sealed polyester topcoat
<b>Lens:</b>	Hard-coated polycarbonate Tempered glass

### Photometric Information:

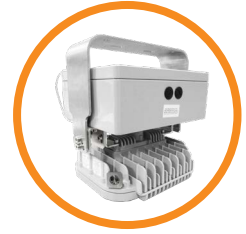
<b>CRI:</b>	75
<b>CCT:</b>	5000K (cool white)
<b>Optics:</b>	360° 180° forward throw for 45° mounting

All values typical unless otherwise stated (tolerance +/- 10%)

**WARNING - INSTALLATION & SECONDARY RETENTION.** Use of any Dialight products without proper installation (including secondary retention / netting) and periodic inspections could cause severe injury or death. Dialight recommends that all installations should use secondary retention / netting (appropriate to the installation environment) where applicable. It is the exclusive responsibility of the contractor, installer and/or end-user to: (a) determine the suitability of the product for its intended application; and, (b) ensure that the product is safely installed (with secondary retention / netting where appropriate) and in compliance with all applicable laws and regulations. To the extent permissible under applicable laws, Dialight disclaims all liability for personal injury and/or other damage resulting from any dislodgment or other dislocation of its products.

# DuroSite® LED Area Light

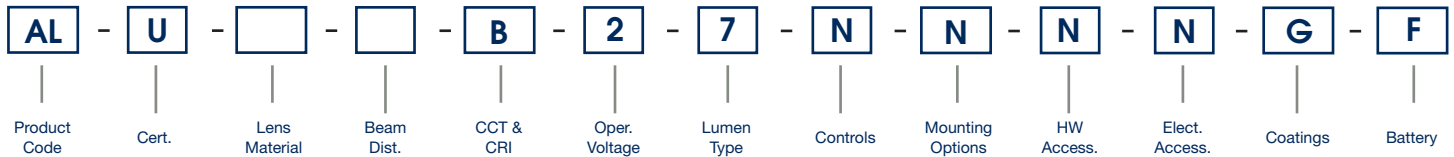
## 120-277 VAC Battery Backup



Project Information	
Part Number:	
Project:	
Fixture Type:	Date:

Specifications

### Ordering Information



**Product Code**

AL Area Light

**Certification**

U UL 1598/A CSA 22.2 No. 250.0

**Lens Material**

- 5 Polycarbonate - Diffused
- 7 Tempered Glass

**Beam Distribution**

- A 180°
- B 360°

**CCT & CRI**

B Cool White 5000K - 70 CRI

**Operating Voltage**

2 100 - 277 VAC - Battery Backup

**Lumen Type**

7 6.1 - 7K

**Controls**

N No Options

**Mounting Options**

N 316 Stainless Steel Bracket

**Hardware Accessories**

N Factory Installed Junction Box

**Electrical Accessories**

N No Option

**Coatings**

G Gray (RAL 7040)

**Battery**

F 180 min.

Battery Backup Model								
Part Number	Lumens	Wattage	lm/W	CCT	CRI	Lens	Beam Distribution	Mounting
ALU-7BB2-7NNN-NGF	7,500	85	88	CW	75	Tempered Glass	360°	Stainless Steel Bracket
ALU-5AB2-7NNN-NGF	7,200	85	85	CW	75	Polycarbonate	180°	Stainless Steel Bracket

All values typical unless otherwise stated (tolerance +/- 10%).

**DISCLAIMER.** All product information provided is, to the best of Dialight's knowledge, accurate as of the date of publication. When ordering, refer to [www.dialight.com](http://www.dialight.com) for current versions of: (a) relevant product documentation (including the relevant product data sheets); (b) Dialight terms and conditions of sale; and, (c) the relevant product warranty. To the extent that any contract is deemed formed between Dialight and the purchaser of Dialight products and/or an end-user, versions of documents available at [www.dialight.com](http://www.dialight.com) as at the date of sale shall be the versions incorporated therein. In the event of any discrepancy between this document or information provided at [www.dialight.com](http://www.dialight.com), the latter shall prevail.

# DuroSite® LED Area Light

## Lumen Tables & Beam Distribution

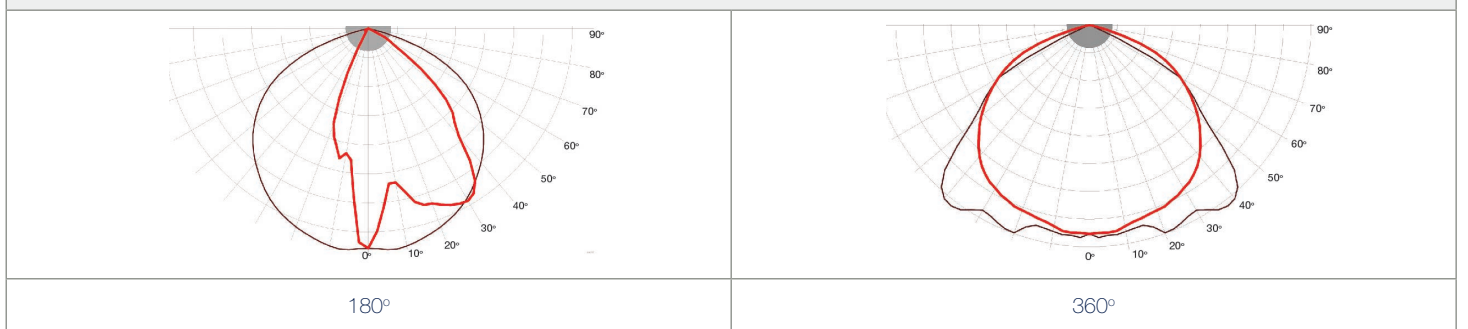
### 347/480 VAC

Output Family	Beam Distribution	Lens	Wattage	Lumens 5000 CCT	5000 CCT lm/W	Lumens 4000 CCT	4000 CCT lm/W
7,250	360°	Tempered Glass	68	7200	107	7100	104
		Class I, Div 1 Glass		6900	102	6800	100
		Polycarbonate		6900	102	6800	100
	180°	Tempered Glass		7200	107	7100	104
		Class I, Div 1 Glass		6900	102	6800	100
		Polycarbonate		6900	102	6800	100
6,000	360°	Tempered Glass	58	6000	103	5800	101
		Class I, Div 1 Glass		5700	99	5600	97
		Polycarbonate		5700	99	5600	97
	180°	Tempered Glass		6000	103	5800	101
		Class I, Div 1 Glass		5700	99	5600	97
		Polycarbonate		5700	99	5600	97
5,000	360°	Tempered Glass	47	5000	106	4900	104
		Class I, Div 1 Glass		4800	102	4700	100
		Polycarbonate		4800	102	4700	100
	180°	Tempered Glass		5000	106	4900	104
		Class I, Div 1 Glass		4800	106	4700	100
		Polycarbonate		4800	102	4700	100
4,100	Wide	Polycarbonate	55	4100	75	4000	73
4,000	360°	Tempered Glass	38	4000	105	3900	103
		Class I, Div 1 Glass		3800	101	3700	99
		Polycarbonate		3800	101	3700	99
	180°	Tempered Glass		4000	105	3900	103
		Class I, Div 1 Glass		3800	101	3700	99
		Polycarbonate		3800	101	3700	99
2,200	360°	Tempered Glass	21	2200	105	2200	105
		Class I, Div 1 Glass		2200	105	2200	105
		Polycarbonate		2200	105	2200	105
	180°	Tempered Glass		2200	105	2200	105
		Class I, Div 1 Glass		2200	105	2200	105
		Polycarbonate		2200	105	2200	105

### 120-277 VAC Battery Backup

Output Family	Beam Distribution	Lens	Wattage	Lumens 5000 CCT	5000 CCT lm/W	Lumens 4000 CCT	4000 CCT lm/W
7,500	360°	Tempered Glass	85	7500	88	7300	86
		Polycarbonate		7200	85	7000	83
	180°	Tempered Glass		7500	88	7300	86
		Polycarbonate		7200	85	7000	83

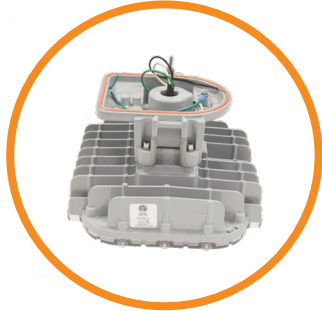
### Beam Distribution



**DISCLAIMER.** All product information provided is, to the best of Dialight's knowledge, accurate as of the date of publication. When ordering, refer to [www.dialight.com](http://www.dialight.com) for current versions of: (a) relevant product documentation (including the relevant product data sheets); (b) Dialight terms and conditions of sale; and, (c) the relevant product warranty. To the extent that any contract is deemed formed between Dialight and the purchaser of Dialight products and/or an end-user, versions of documents available at [www.dialight.com](http://www.dialight.com) as at the date of sale shall be the versions incorporated therein. In the event of any discrepancy between this document or information provided at [www.dialight.com](http://www.dialight.com), the latter shall prevail.

# DuroSite® LED Area Light

## Accessories



ALxxxx2xDUNxGN

Fixtures are available with a universal mounting adapter factory installed, see product N-chart for details. Choose from one of the four available mounting options:

Wall Mount  
HZXW0145° Wall Mount  
HZXW4545° Stanchion Mount  
HZXS4534mm Slip-fit Pole Mount  
HZXC34

Certified to: UL 50E • CSA C22.2 No. 94.2-07

### HZXSTAN100S

- 1.00" (1.315" Pole OD) Slip-fit stanchion mount

### HZXSTAN125S

- 1.25" (1.660" Pole OD) Slip-fit stanchion mount

### HZXSTAN150S

- 1.50" (1.900" Pole OD) Slip-fit stanchion mount

### HZXSTAN200S

- 2.00" (2.375" Pole OD) Slip-fit stanchion mount



### HZXSTAN100T

- 1.00" (1.315" Pole OD) NPT threaded stanchion mount

### HZXSTAN125T

- 1.25" (1.660" Pole OD) NPT threaded stanchion mount

### HZXSTAN150T

- 1.50" (1.900" Pole OD) NPT threaded stanchion mount

### HZXSTAN200T

- 2.00" (2.375" Pole OD) NPT threaded stanchion mount



### HZXW3

- 316 stainless steel bracket

### HZXW7

- Aluminum bracket



### HZXW4

- 316 stainless steel bracket with pipe clamp

### HZXW8

- Aluminum bracket with pipe clamp



### HZXSAFECBLS

- Safety cable kit



Certified to: UL 50E • UL 1203

ISA 12.12.01 • CSA C22.2 No. 94.2-07

### HBXC1

- 0.75" NPT Ceiling mount



Certified to: UL 50E • CSA C22.2 No. 94.2-07

### HZXJB075

- 0.75" Ceiling / Wall / Pole mount junction box

### HZXJB100

- 1.00" Ceiling / Wall / Pole mount junction box

### HZXJB125

- 1.25" Ceiling / Wall / Pole mount junction box

### HZXJB150

- 1.50" Ceiling / Wall / Pole mount junction box



Certified to: UL 50E • CSA C22.2 No. 94.2-07

### HZXJB075PC1

- 0.75" Junction box with photocell

### HZXJB100PC1

- 1.00" Junction box with photocell

### HZXJB125PC1

- 1.25" Junction box with photocell

### HZXJB150PC1

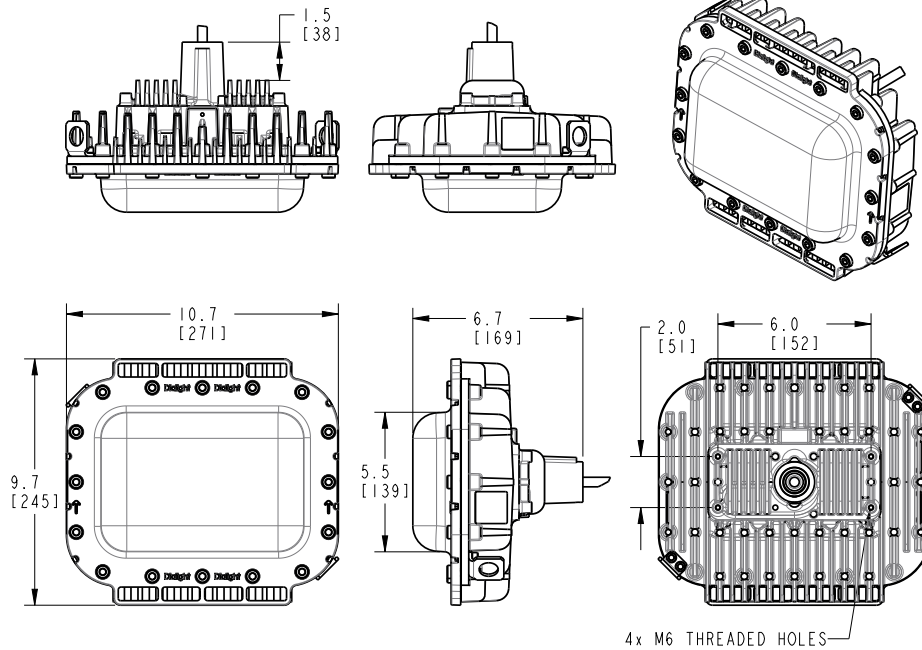
- 1.50" Junction box with photocell

**DISCLAIMER.** All product information provided is, to the best of Dialight's knowledge, accurate as of the date of publication. When ordering, refer to [www.dialight.com](http://www.dialight.com) for current versions of: (a) relevant product documentation (including the relevant product data sheets); (b) Dialight terms and conditions of sale; and, (c) the relevant product warranty. To the extent that any contract is deemed formed between Dialight and the purchaser of Dialight products and/or an end-user, versions of documents available at [www.dialight.com](http://www.dialight.com) as at the date of sale shall be the versions incorporated therein. In the event of any discrepancy between this document or information provided at [www.dialight.com](http://www.dialight.com), the latter shall prevail.

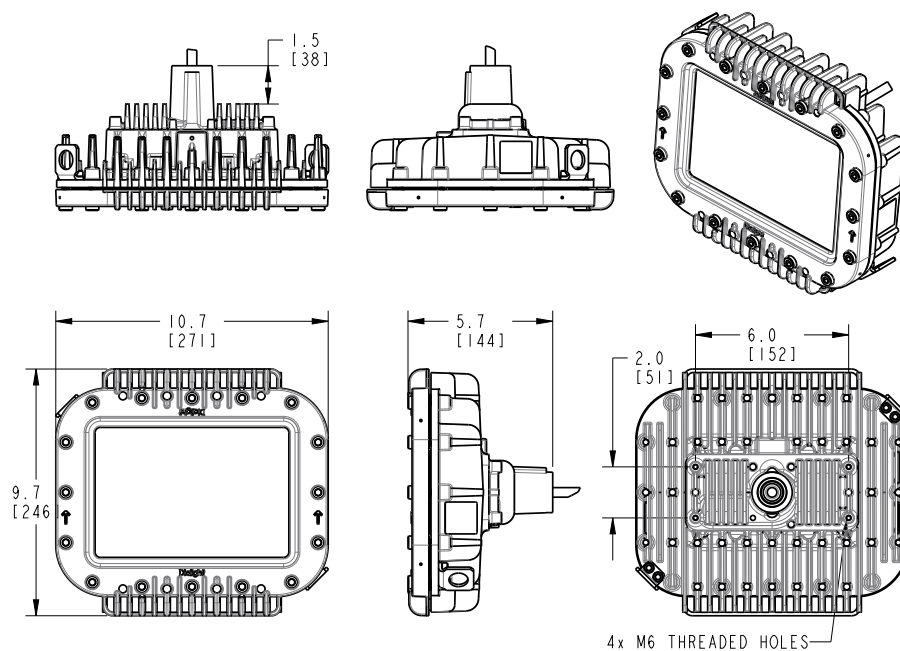
# DuroSite® LED Area Light

## Dimensional Drawings

Polycarbonate Lens - Option 5



Tempered Glass Lens - Option 7

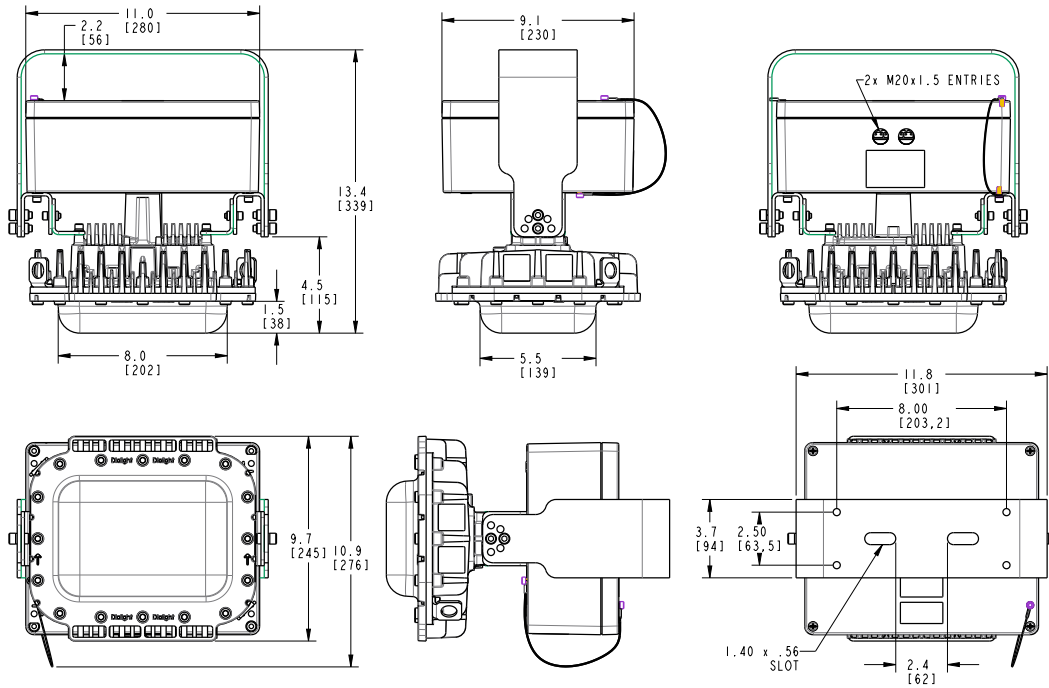


DISCLAIMER. All product information provided is, to the best of Dialight's knowledge, accurate as of the date of publication. When ordering, refer to [www.dialight.com](http://www.dialight.com) for current versions of: (a) relevant product documentation (including the relevant product data sheets); (b) Dialight terms and conditions of sale; and, (c) the relevant product warranty. To the extent that any contract is deemed formed between Dialight and the purchaser of Dialight products and/or an end-user, versions of documents available at [www.dialight.com](http://www.dialight.com) as at the date of sale shall be the versions incorporated therein. In the event of any discrepancy between this document or information provided at [www.dialight.com](http://www.dialight.com), the latter shall prevail.

# DuroSite® LED Area Light

## Dimensional Drawings

### Battery Backup Model



DISCLAIMER. All product information provided is, to the best of Dialight's knowledge, accurate as of the date of publication. When ordering, refer to [www.dialight.com](http://www.dialight.com) for current versions of: (a) relevant product documentation (including the relevant product data sheets); (b) Dialight terms and conditions of sale; and, (c) the relevant product warranty. To the extent that any contract is deemed formed between Dialight and the purchaser of Dialight products and/or an end-user, versions of documents available at [www.dialight.com](http://www.dialight.com) as at the date of sale shall be the versions incorporated therein. In the event of any discrepancy between this document or information provided at [www.dialight.com](http://www.dialight.com), the latter shall prevail.

# DuroSite® LED Area Light

## Retro-fit Options

Retro-fit adapters can be factory installed. See product ordering information for details.

- Eaton's Crouse-Hinds – Champ®
- GE Lighting Solutions – Filtr-Gard™
- Holophane Petrolux® II, III
- Thomas & Betts Hazlux®
- Appleton® Mercmaster III
- Appleton® Mercmaster II
- Killark® Certilite® & Certilite® V

\*Petrolux adapter available as a standalone accessory only



Eaton's Crouse-Hinds – Champ® - HZXTHCH				
Pendant	Ceiling	Wall	Stanchion	Quad Mount
APM2	CM2	TWM2	JM5	QM25
APM3	CM3	TWM3	PM5	
HPM2				



GE Lighting Solutions – Filtr-Gard™ - HZXTHGE				
Pendant	Ceiling	Wall	Stanchion	Quad Mount
3P	3F	3C	3W	5S
4P	4F		4W	6S
				5J, 6J



Holophane® Petrolux II, III - HZXTHP3				
Pendant	Universal	Stanchion	Ceiling	Wall
PD	UN	SA	CD	WL
GH		ST	CE	W
P		A	B, C, D	

Please reference spec sheet at [www.dialight.com](http://www.dialight.com) for all dimensional drawings of retro-fit options.

**DISCLAIMER.** All product information provided is, to the best of Dialight's knowledge, accurate as of the date of publication. When ordering, refer to [www.dialight.com](http://www.dialight.com) for current versions of: (a) relevant product documentation (including the relevant product data sheets); (b) Dialight terms and conditions of sale; and, (c) the relevant product warranty. To the extent that any contract is deemed formed between Dialight and the purchaser of Dialight products and/or an end-user, versions of documents available at [www.dialight.com](http://www.dialight.com) as at the date of sale shall be the versions incorporated therein. In the event of any discrepancy between this document or information provided at [www.dialight.com](http://www.dialight.com), the latter shall prevail.

# DuroSite® LED Area Light

## Retro-fit Options



Thomas & Betts Hazlux® - HZXTHTB				
Pendant	Pendant Cone	Flexible Pendant	Ceiling	Wall
VP2	VA2	VF2	VC2	VB2
VP3	VA3	VF3	VC3	VB3
Wall	25° Angle Stanchion	25° Angle Stanchion	Straight Stanchion	Straight Stanchion
VB2-VIB	VS4	VS4-VIB	VL4	VL4-VIB
VB3-VIB	VS5	VS5-VIB	VL5	VL5-VIB



Appleton® Mercmaster III - HZXTHAP			
Pendant	Ceiling	Wall	Stanchion
KPA-75, 100	KPC-75	KPWB-75	KPS-125
KPAF-75, 100	KPC-100	KPWB-100	KPS-150
KPCH-75, 100			KPST-125
			KPST-150



Appleton® Mercmaster II - HZXTHM2			
Pendant	Ceiling	Wall	Stanchion
LPA-75	LPC-75	LPWB-75	LPS-125
LPA-100	LPC-100	LPWB-100	LPS-150



Killark® Certilite® & Certilite® V - HZXTHKL			
Pendant	Ceiling	Wall	Stanchion
VMA2B & VMA-2	VMX2B & VMX-2	VMB2B & VMB-2	VMD4B
VMA3B & VMA-3	VMX3B & VMX-3	VMB3B & VMB-3	VMD5B
VMC2B & VMC-2	VMX6B, 7B, 8B, 9B		VMS5B
VMC3B & VMC-3			
VMF2B, 3B			

Please reference spec sheet at [www.dialight.com](http://www.dialight.com) for all dimensional drawings of retro-fit options.

**DISCLAIMER.** All product information provided is, to the best of Dialight's knowledge, accurate as of the date of publication. When ordering, refer to [www.dialight.com](http://www.dialight.com) for current versions of: (a) relevant product documentation (including the relevant product data sheets); (b) Dialight terms and conditions of sale; and, (c) the relevant product warranty. To the extent that any contract is deemed formed between Dialight and the purchaser of Dialight products and/or an end-user, versions of documents available at [www.dialight.com](http://www.dialight.com) as at the date of sale shall be the versions incorporated therein. In the event of any discrepancy between this document or information provided at [www.dialight.com](http://www.dialight.com), the latter shall prevail.

# DuroSite® LED End-to-End Linear

## Technical Specifications



### Ratings and Certifications

- 5 year warranty
- L70 rated for >125,000 hours
- CSA C22.2 No. 250
- UL 1598/A
- IP66/67
- NEMA 4X

\*All features not available on every model. Please refer to product part number pages for model specifics.

### Mechanical Information

<b>Fixture weight:</b>	
4' model:	18 lb (8.2 kg)
2' model:	13 lb (5.9 kg)
<b>Shipping weight:</b>	
4' model:	20 lb (9.1 kg)
2' model:	15 lb (6.8 kg)
<b>Mounting:</b>	
(4) 3/4" NPT openings	
Optional ceiling, flush or swivel mounting bracket	
Secondary retention option available	

### Specifications

<b>Voltage:</b>	120-277 VAC	<b>Housing:</b>	Extruded 6063 aluminum
<b>Operating temp:</b>	-40°F to +149°F (-40°C to +65°C)	<b>Lens:</b>	Polycarbonate
<b>Power factor:</b>	>0.9	<b>CRI:</b>	80
<b>THD:</b>	<20%	<b>CCT:</b>	5000K (cool white)
<b>Surge protection:</b>	6kV line-to-line, 6kV line-to-ground		4000K (neutral white)

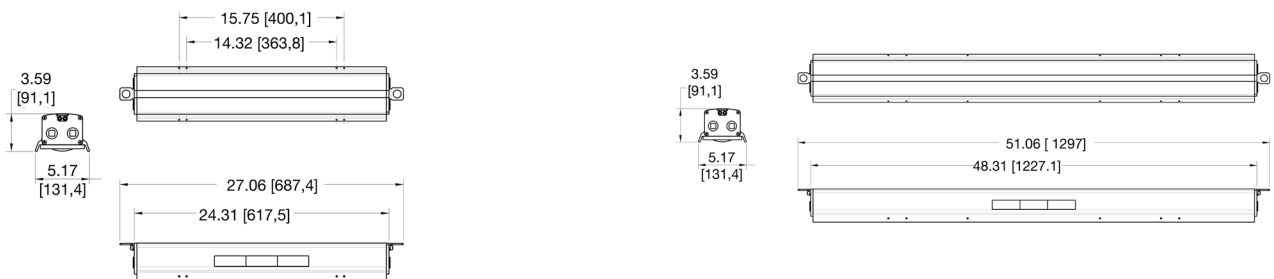
### Comparison

	Warranty	L70	T-Rating
Dialight LED Linear	5yr	>125,000	T5
Metal Halide	1	6,000	T2
High Pressure Sodium	1	20,000	T2A
Fluorescent	1	24,000	T3

### Lumens Wattage lm/W Mounting Heights

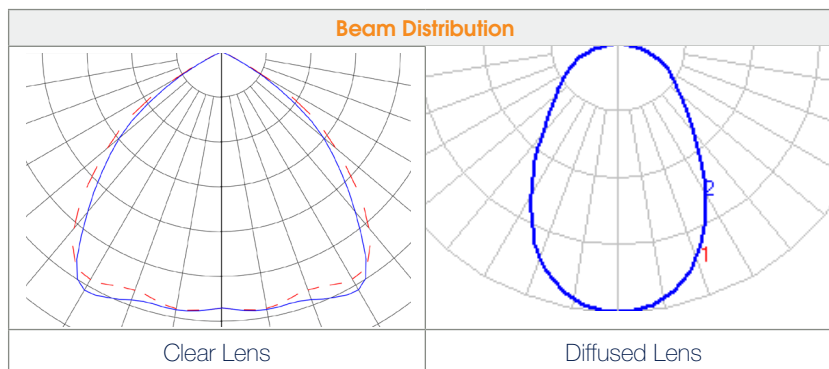
Lumens	Wattage	lm/W	Mounting Heights
7,500	60	125	20'
6,750	60	112	↕
4,000	32	125	
3,500	32	109	10'

### Dimensions



Dimension in inches [mm]

### Beam Distribution



**WARNING - INSTALLATION & SECONDARY RETENTION.** Use of any Dialight products without proper installation (including secondary retention / netting) and periodic inspections could cause severe injury or death. Dialight recommends that all installations should use secondary retention / netting (appropriate to the installation environment) where applicable. It is the exclusive responsibility of the contractor, installer and/or end-user to: (a) determine the suitability of the product for its intended application; and, (b) ensure that the product is safely installed (with secondary retention / netting where appropriate) and in compliance with all applicable laws and regulations. To the extent permissible under applicable laws, Dialight disclaims all liability for personal injury and/or other damage resulting from any dislodgment or other dislocation of its products.

# DuroSite® LED End-to-End Linear

## Ordering Information & Accessories

Part Number	Length	CRI	Fixture Lumens	Watt	lm/W	Voltage	CCT	Lens	Beam Distribution
LBU2MB3FNNNNGN	4'	80	7,500	60	125	120-277 VAC	5000K (cool white)	Clear polycarbonate	Medium
LBU6MB3FNNNNGN	4'	80	6,750	60	112	120-277 VAC	5000K (cool white)	Diffused polycarbonate	Medium
LAU2MB3BNNNNGN	2'	80	4,000	32	125	120-277 VAC	5000K (cool white)	Clear polycarbonate	Medium
LAU6MB3BNNNNGN	2'	80	3,500	32	109	120-277 VAC	5000K (cool white)	Diffused polycarbonate	Medium

All values typical unless otherwise stated (tolerance +/- 10%).

Part numbers listed in the table above are cool white. For neutral white models, replace the 6th character with an **N**.

### Swivel Mount



#### EEX-S6

- 316 stainless steel swivel mounting bracket
- Can be angled at 0°, 30°, 45°, 60°, and 90°



### Ceiling Mount



#### EEX-C6

- 316 stainless steel fixed ceiling mount



### Flush Mount



#### EEX-F6

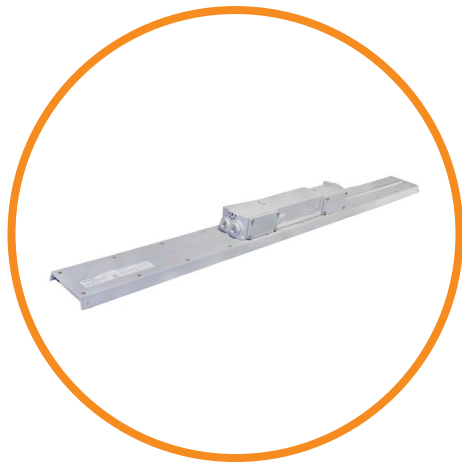
- 316 stainless steel flush mount



**DISCLAIMER.** All product information provided is, to the best of Dialight's knowledge, accurate as of the date of publication. When ordering, refer to [www.dialight.com](http://www.dialight.com) for current versions of: (a) relevant product documentation (including the relevant product data sheets); (b) Dialight terms and conditions of sale; and, (c) the relevant product warranty. To the extent that any contract is deemed formed between Dialight and the purchaser of Dialight products and/or an end-user, versions of documents available at [www.dialight.com](http://www.dialight.com) as at the date of sale shall be the versions incorporated therein. In the event of any discrepancy between this document or information provided at [www.dialight.com](http://www.dialight.com), the latter shall prevail.

# DuroSite® LED Linear - Low Profile

## Technical Specifications



### Certifications & Ratings

- UL 1598/A\*
- CSA C22.2 No. 250\*
- IP66/67
- NEMA 4X
- 5 year warranty

\*ETL listed

### Mechanical Information:

- Fixture weight:** 4' - 10 lb (4.5 kg)  
2' - 7 lb (3.2 kg)
- Shipping weight:** 4' - 11 lb (5.0 kg)  
2' - 8 lb (3.6 kg)
- Mounting:** (4) 3/4" NPT openings  
Optional swivel bracket - LPXW4  
Optional low profile bracket - LPXW4LP

### Electrical Specifications:

- Operating voltage:** 100-277 VAC, 50/60Hz
- Power consumption:** See ordering information
- Operating temp:** -40°F to +149°F (-40°C to +65°C)
- Harmonics:** IEC 61000-3-2
- Noise requirements/EMC:** FCC Title 47, Subpart B, Section 15, Class A device. RF Immunity; 10V/m, 80MHz-1GHz
- Surge protection:** EN 61000-4-5  
4 kV line-to-line  
4 kV line-to-ground
- THD:** < 20%
- Power factor:** > 0.9

Power supply equipped with inline fuse

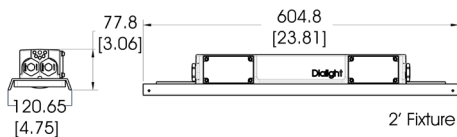
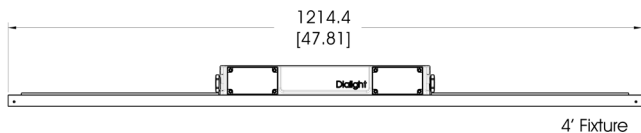
### Construction:

- Finish:** Superior dual coat finish  
- Sealed polyester topcoat  
- Chemical resistant epoxy primer
- Lens:** Polycarbonate

### Photometric Information:

- CRI:** 80
- CCT:** 5000K (cool white)  
4000K (neutral white)
- IES files:** Available at [www.dialight.com](http://www.dialight.com)

All values typical unless otherwise stated (tolerance +/- 10%)



Dimensions in inches [mm]

**WARNING - INSTALLATION & SECONDARY RETENTION.** Use of any Dialight products without proper installation (including secondary retention / netting) and periodic inspections could cause severe injury or death. Dialight recommends that all installations should use secondary retention / netting (appropriate to the installation environment) where applicable. It is the exclusive responsibility of the contractor, installer and/or end-user to: (a) determine the suitability of the product for its intended application; and, (b) ensure that the product is safely installed (with secondary retention / netting where appropriate) and in compliance with all applicable laws and regulations. To the extent permissible under applicable laws, Dialight disclaims all liability for personal injury and/or other damage resulting from any dislodgment or other dislocation of its products.

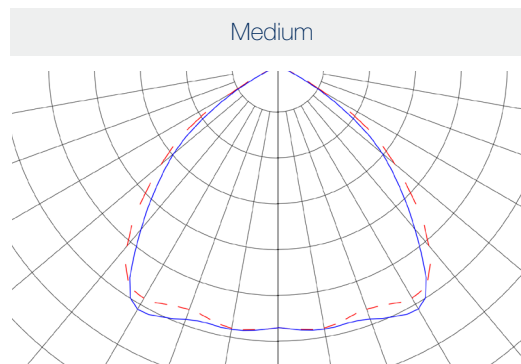
# DuroSite® LED Linear - Low Profile

## Ordering Information & Accessories

Part Number	Length	CRI	Fixture Lumens	Watt	lm/W	Voltage	CCT	Lens	Beam Distribution
LPM3C4M2P	4'	80	7,900	60	132	100-277 VAC	5000K (cool white)	Clear Polycarbonate	Medium
LPM3C4H2W	4'	80	7,100	60	118	100-277 VAC	5000K (cool white)	Diffused Polycarbonate	Medium
LPM3N4M2P	4'	80	7,300	60	122	100-277 VAC	4000K (neutral white)	Clear Polycarbonate	Medium
LPM3N4H2W	4'	80	6,700	60	112	100-277 VAC	4000K (neutral white)	Diffused Polycarbonate	Medium
LPM3C4D2P	2'	80	3,850	29	133	100-277 VAC	5000K (cool white)	Clear Polycarbonate	Medium
LPM3C4B2W	2'	80	3,500	29	121	100-277 VAC	5000K (cool white)	Diffused Polycarbonate	Medium
LPM3N4D2P	2'	80	3,600	29	124	100-277 VAC	4000K (neutral white)	Clear Polycarbonate	Medium
LPM3N4B2W	2'	80	3,300	29	114	100-277 VAC	4000K (neutral white)	Diffused Polycarbonate	Medium

All values typical unless otherwise stated (tolerance +/- 10%).

The part numbers in the above table are provided in 5000K (cool white). To order part numbers in 4000K (neutral white), please change the 5th character to an **N**. Ex. LPM3**C**4M2P becomes LPM3**N**4M2P.



### LPXW4

- 316 stainless steel mounting bracket
- Can be angled at 0°, 30°, 45°, 60° & 90°



### LPXW4LP

- 316 stainless steel low profile mounting bracket
- Can be angled at 0° and 15°



### LTXSAFEKIT

- Stainless steel safety cable kit for secondary retention



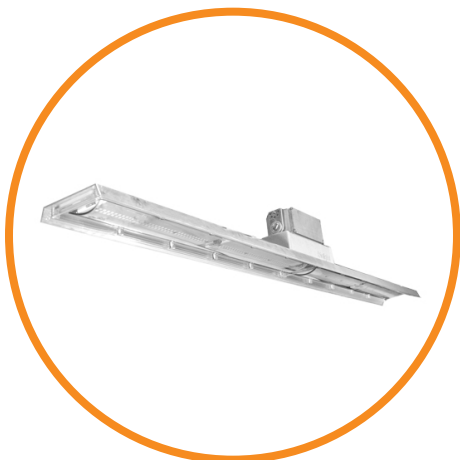
### LTXENDCAPKIT

- 304 stainless steel chain mount and secondary retention bracket

**DISCLAIMER.** All product information provided is, to the best of Dialight's knowledge, accurate as of the date of publication. When ordering, refer to [www.dialight.com](http://www.dialight.com) for current versions of: (a) relevant product documentation (including the relevant product data sheets); (b) Dialight terms and conditions of sale; and, (c) the relevant product warranty. To the extent that any contract is deemed formed between Dialight and the purchaser of Dialight products and/or an end-user, versions of documents available at [www.dialight.com](http://www.dialight.com) as at the date of sale shall be the versions incorporated therein. In the event of any discrepancy between this document or information provided at [www.dialight.com](http://www.dialight.com), the latter shall prevail.

# DuroSite® LED Linear - Top Conduit

## Technical Specifications



### Certifications & Ratings

- UL 1598/A\*
- CSA C22.2 No. 250\*
- IP66
- NEMA 4X
- 5 year warranty

\*ETL listed

### Mechanical Information:

- Fixture weight:** 4' - 10 lb (4.5 kg)  
2' - 7 lb (3.2 kg)
- Shipping weight:** 4' - 11 lb (5.0 kg)  
2' - 8 lb (3.6 kg)
- Mounting:** (3) 3/4" NPT openings  
Optional swivel bracket - LTXW4  
Optional low profile bracket - LTXW4LP

### Electrical Specifications:

- Operating voltage:** 100-277 VAC, 50/60Hz
- Power consumption:** See ordering information
- Operating temp:** -40°F to +149°F (-40°C to +65°C)
- Harmonics:** IEC 61000-3-2
- Noise requirements/EMC:** FCC Title 47, Subpart B, Section 15, Class A device. RF Immunity; 10V/m, 80MHz-1GHz
- Surge protection:** EN 61000-4-5  
4 kV line-to-line  
4 kV line-to-ground
- THD:** < 20%
- Power factor:** > 0.9

Power supply equipped with inline fuse

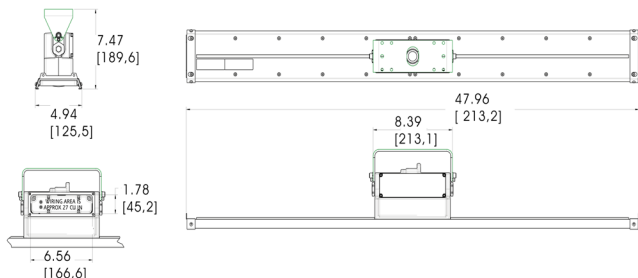
### Construction:

- Finish:** Superior dual coat finish  
- Sealed polyester topcoat  
- Chemical resistant epoxy primer
- Lens:** Polycarbonate

### Photometric Information:

- CRI:** 80
- CCT:** 5000K (cool white)  
4000K (neutral white)
- IES files:** Available at [www.dialight.com](http://www.dialight.com)

All values typical unless otherwise stated (tolerance +/- 10%)



Dimensions in inches [mm]

**WARNING - INSTALLATION & SECONDARY RETENTION.** Use of any Dialight products without proper installation (including secondary retention / netting) and periodic inspections could cause severe injury or death. Dialight recommends that all installations should use secondary retention / netting (appropriate to the installation environment) where applicable. It is the exclusive responsibility of the contractor, installer and/or end-user to: (a) determine the suitability of the product for its intended application; and, (b) ensure that the product is safely installed (with secondary retention / netting where appropriate) and in compliance with all applicable laws and regulations. To the extent permissible under applicable laws, Dialight disclaims all liability for personal injury and/or other damage resulting from any dislodgment or other dislocation of its products.

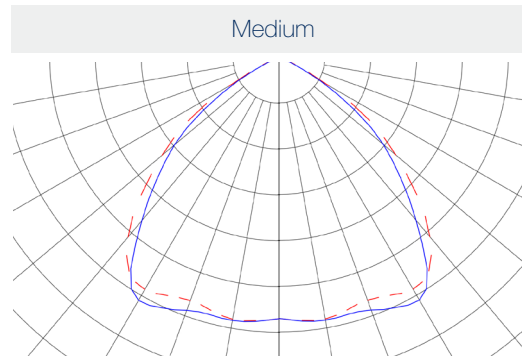
# DuroSite® LED Linear - Top Conduit

## Ordering Information & Accessories

Part Number	Length	CRI	Fixture Lumens	Watt	lm/W	Voltage	CCT	Lens	Beam Distribution
LTM3C4M2P	4'	80	7,900	60	132	100-277 VAC	5000K (cool white)	Clear Polycarbonate	Medium
LTM3C4H2W	4'	80	7,100	60	118	100-277 VAC	5000K (cool white)	Diffused Polycarbonate	Medium
LTM3N4M2P	4'	80	7,300	60	122	100-277 VAC	4000K (neutral white)	Clear Polycarbonate	Medium
LTM3N4H2W	4'	80	6,700	60	112	100-277 VAC	4000K (neutral white)	Diffused Polycarbonate	Medium
LTM3C4D2P	2'	80	3,850	29	133	100-277 VAC	5000K (cool white)	Clear Polycarbonate	Medium
LTM3C4B2W	2'	80	3,500	29	121	100-277 VAC	5000K (cool white)	Diffused Polycarbonate	Medium
LTM3N4D2P	2'	80	3,600	29	124	100-277 VAC	4000K (neutral white)	Clear Polycarbonate	Medium
LTM3N4B2W	2'	80	3,300	29	114	100-277 VAC	4000K (neutral white)	Diffused Polycarbonate	Medium

All values typical unless otherwise stated (tolerance +/- 10%).

Part numbers listed in the table above are cool white. For neutral white model, replace the 5th character with N. Ex. LTM3C4D2P becomes LTM3N4D2P



### LTXW4

- Mounting bracket
- Can be angled at 0°, 30°, 45°, 60° & 90°



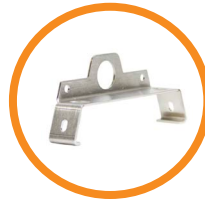
### LTXW4LP

- Mounting bracket
- Can be angled at 0° and 15°



### LTXSAFEKIT

- Stainless steel safety cable kit for secondary retention



### LTXENDCAPKIT

- 304 stainless steel chain mount and secondary retention bracket



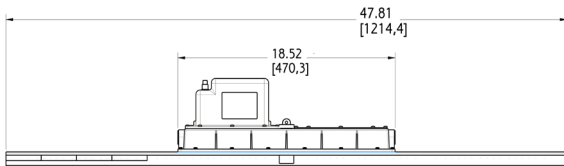
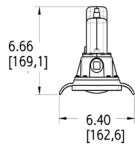
### LTXLSXW4

- Retrofit bracket adapter used to connect LTM model fixtures to an existing LSXW4 bracket

**DISCLAIMER.** All product information provided is, to the best of Dialight's knowledge, accurate as of the date of publication. When ordering, refer to [www.dialight.com](http://www.dialight.com) for current versions of: (a) relevant product documentation (including the relevant product data sheets); (b) Dialight terms and conditions of sale; and, (c) the relevant product warranty. To the extent that any contract is deemed formed between Dialight and the purchaser of Dialight products and/or an end-user, versions of documents available at [www.dialight.com](http://www.dialight.com) as at the date of sale shall be the versions incorporated therein. In the event of any discrepancy between this document or information provided at [www.dialight.com](http://www.dialight.com), the latter shall prevail.

# DuroSite® LED Linear - Battery Backup

## Technology Specifications



Dimensions in inches [mm]

### Certifications & Ratings

- UL 1598/A\*
- UL 924\*
- CSA C22.2 No. 250\*
- IP66
- NEMA 4X
- 5 year warranty

\*ETL listed

### Mechanical Information:

<b>Fixture weight:</b>	18 lb (8.2 kg)
<b>Shipping weight:</b>	21 lb (9.5 kg)
<b>Mounting:</b>	(1) Threaded 3/4" NPT side (2) Threaded 3/4" NPT ends

### Electrical Specifications:

<b>Operating voltage:</b>	120-277 VAC, 50/60Hz
<b>Power consumption:</b>	85W
<b>Operating temp:</b>	-4°F to +149°F (-20°C to +65°C)
<b>Battery:</b>	3.6V 10Ah Nimh
<b>Battery life*:</b>	3 years
<b>Battery duration*:</b>	> 3 hours
<b>Lumen output in Battery Mode:</b>	450lm
<b>Harmonics:</b>	IEC 61000-3-2
<b>Noise requirements/EMC:</b>	FCC Title 47, Subpart B, Section 15, Class A device. RF Immunity; 10V/m, 80MHz-1GHz
<b>Surge protection:</b>	EN 61000-4-5 1 kV line to line 2 kV line to ground
<b>THD:</b>	< 20%
<b>Power factor:</b>	> 0.9

### Construction:

<b>Finish:</b>	Superior dual coat finish - Sealed polyester topcoat - Chemical resistant epoxy primer
<b>Lens:</b>	Polycarbonate

### Photometric Information:

<b>Light output in emergency mode:</b>	450 lumens
<b>CRI:</b>	75
<b>CCT:</b>	5000K (cool white) 4000K (neutral white)
<b>IES files:</b>	Available upon request

All values typical unless otherwise stated (tolerance +/- 10%)

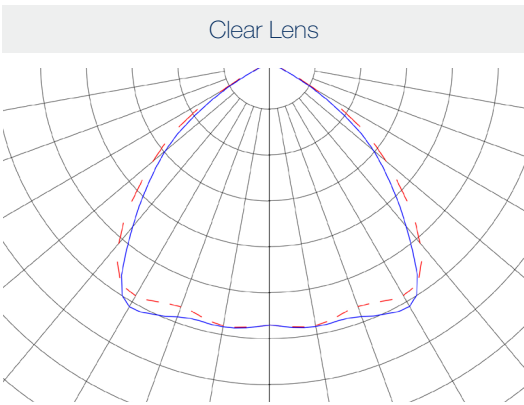
**WARNING - INSTALLATION & SECONDARY RETENTION.** Use of any Dialight products without proper installation (including secondary retention / netting) and periodic inspections could cause severe injury or death. Dialight recommends that all installations should use secondary retention / netting (appropriate to the installation environment) where applicable. It is the exclusive responsibility of the contractor, installer and/or end-user to: (a) determine the suitability of the product for its intended application; and, (b) ensure that the product is safely installed (with secondary retention / netting where appropriate) and in compliance with all applicable laws and regulations. To the extent permissible under applicable laws, Dialight disclaims all liability for personal injury and/or other damage resulting from any dislodgment or other dislocation of its products.

# DuroSite® LED Linear - Battery Backup

## Ordering Information & Accessories

Part Number	Length	Type	CRI	Fixture Lumens	Watt	lm/W	Warranty	Voltage	CCT	Lens	Beam Distribution
LSM3C4MEP	4'	Sustained	75	7,000	85	82	3yr	120- 277 VAC	5000K (cool white)	Clear Polycarbonate	Medium
LSM3C4MNP	4'	Maintained	75	7,000	85	82	3yr	120-277 VAC	5000K (cool white)	Clear Polycarbonate	Medium

All values typical unless otherwise stated (tolerance +/- 10%).  
 The part numbers in the above table are provided in Cool White. To order part numbers in Neutral White, please change the 5th character to an **N**. Ex. LSM3**C**4MEP becomes LSM3**N**4MEP



- LSXW4**
- Aluminum mounting bracket
  - Can be angled at 0°, 30°, 45°, 60° & 90°



- LSXENDCAPKIT**
- 304 stainless steel chain mounting brackets



- HZXSAFEKIT**
- Stainless steel safety cable kit

**DISCLAIMER.** All product information provided is, to the best of Dialight’s knowledge, accurate as of the date of publication. When ordering, refer to [www.dialight.com](http://www.dialight.com) for current versions of: (a) relevant product documentation (including the relevant product data sheets); (b) Dialight terms and conditions of sale; and, (c) the relevant product warranty. To the extent that any contract is deemed formed between Dialight and the purchaser of Dialight products and/or an end-user, versions of documents available at [www.dialight.com](http://www.dialight.com) as at the date of sale shall be the versions incorporated therein. In the event of any discrepancy between this document or information provided at [www.dialight.com](http://www.dialight.com), the latter shall prevail.

# DuroSite® LED RTO Area Light

## Technical Specifications



### Ratings and Certifications

- 5 year warranty
- L70 rated for >150,000 hours
- CSA C22.2 No. 250
- UL 1598/A
- IP66
- NEMA 4X

\*All features not available on every model. Please refer to product part number pages for model specifics.

### Mechanical Information

<b>Fixture weight:</b>	
RTO0Wxx001:	2.5 lb (1.13 kg)
RTO0Wxx005:	3.2 lb (1.45 kg)
RTO0Wxx004:	0.8 lb (0.36 kg)
<b>Shipping weight:</b>	
RTO0Wxx001:	3.0 lb (1.36 kg)
RTO0Wxx005:	4.5 lb (2.04 kg)
RTO0Wxx004:	1.4 lb (0.64 kg)
<b>Mounting:</b> Secondary retention not available	
Pendant mount:	1" & 3/4" NPT reducer bi-directional mounting
Ceiling mount:	3/4" NPT 5-way surface mounting
Pendant mount:	3/4" NPT-threaded conduit

### Specifications

<b>Voltage options:</b>	100-277 VAC	<b>Housing:</b>	Copper-free aluminum
	24-48 VDC	<b>Lens:</b>	Polycarbonate
<b>Operating temp:</b>	-40°F to +133°F	<b>CRI:</b>	75
	(-40°C to +55°C)	<b>CCT:</b>	6000K (cool white)
<b>Power factor:</b>	>0.9		
<b>THD:</b>	<20%		
<b>Surge protection:</b>	1kV line-to-line, 2kV line-to-ground		

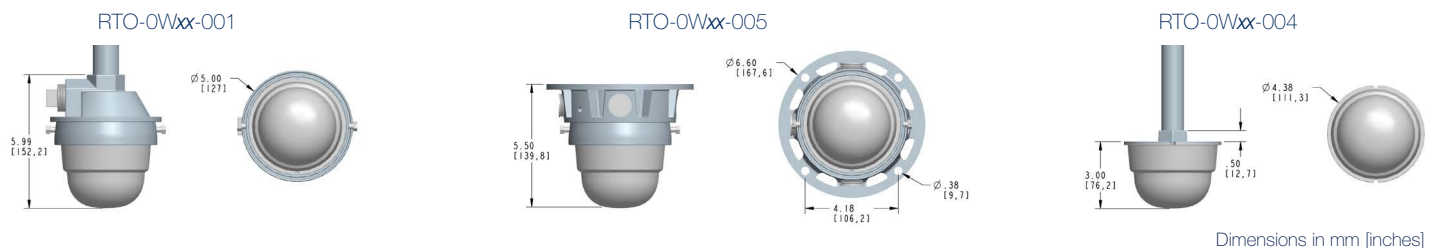
### Comparison

	Warranty	L70
Dialight LED RTO Area Light	5yr	>150,000
Metal Halide	1	6,000
High Pressure Sodium	1	20,000
Fluorescent	1	24,000

### Lumens Wattage lm/W Mounting Heights

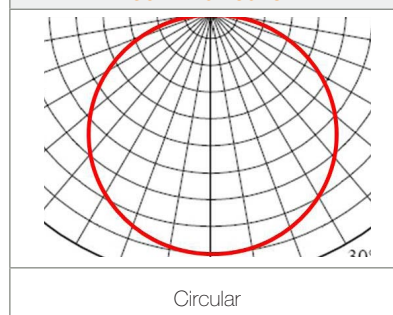
Lumens	Wattage	lm/W	Mounting Heights
800	8	100	15' and lower
470	8	59	

### Dimensions



Dimensions in mm [inches]

### Beam Distribution



**WARNING - INSTALLATION & SECONDARY RETENTION.** Use of any Dialight products without proper installation (including secondary retention / netting) and periodic inspections could cause severe injury or death. Dialight recommends that all installations should use secondary retention / netting (appropriate to the installation environment) where applicable. It is the exclusive responsibility of the contractor, installer and/or end-user to: (a) determine the suitability of the product for its intended application; and, (b) ensure that the product is safely installed (with secondary retention / netting where appropriate) and in compliance with all applicable laws and regulations. To the extent permissible under applicable laws, Dialight disclaims all liability for personal injury and/or other damage resulting from any dislodgment or other dislocation of its products.

# DuroSite® LED RTO Area Light

## Ordering Information & Accessories

Part Number	Type	Fixture Lumens	Watt	lm/W	Voltage	CCT	Lens	Beam Distribution
<b>Standard models - 100-277 VAC</b>								
RTO0W17005	Ceiling mount with junction box	800	8	100	100-277 VAC	6000K (cool white)	Clear polycarbonate	Circular
RTO0W17004	Pendant mount	800	8	100	100-277 VAC	6000K (cool white)	Clear polycarbonate	Circular
RTO0W17001	Pendant mount with junction box	800	8	100	100-277 VAC	6000K (cool white)	Clear polycarbonate	Circular
RTO0W07005	Ceiling mount with junction box	470	8	59	100-277 VAC	6000K (cool white)	Clear polycarbonate	Circular
RTO0W07004	Pendant mount	470	8	59	100-277 VAC	6000K (cool white)	Clear polycarbonate	Circular
RTO0W07001	Pendant mount with junction box	470	8	59	100-277 VAC	6000K (cool white)	Clear polycarbonate	Circular
<b>Standard Models - 24-48 VDC</b>								
RTO0W18005	Ceiling mount with junction box	800	8	100	24-48 VDC	6000K (cool white)	Clear polycarbonate	Circular
RTO0W18004	Pendant mount	800	8	100	24-48 VDC	6000K (cool white)	Clear polycarbonate	Circular
RTO0W18001	Pendant mount with junction box	800	8	100	24-48 VDC	6000K (cool white)	Clear polycarbonate	Circular
RTO0W08005	Ceiling mount with junction box	470	8	59	24-48 VDC	6000K (cool white)	Clear polycarbonate	Circular
RTO0W08004	Pendant mount	470	8	59	24-48 VDC	6000K (cool white)	Clear polycarbonate	Circular
RTO0W08001	Pendant mount with junction box	470	8	59	24-48 VDC	6000K (cool white)	Clear polycarbonate	Circular

All values typical unless otherwise stated (tolerance +/- 10%).



### Pendant Mount

- 3/4" NPT-threaded conduit



### Pendant Mount with Junction Box

- 1" & 3/4" NPT reducer bi-directional mounting



### Ceiling Mount with Junction Box

- 3/4" 5-way surface mounting



### RTO1000

- Flush wall mount



### RTO1001

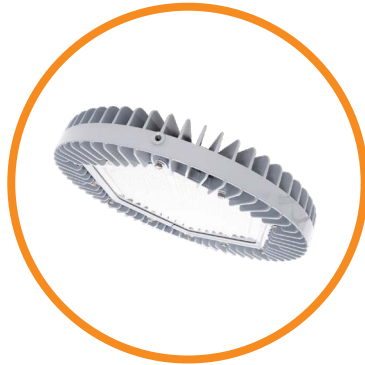
- Junction box wall mount

**DISCLAIMER.** All product information provided is, to the best of Dialight's knowledge, accurate as of the date of publication. When ordering, refer to [www.dialight.com](http://www.dialight.com) for current versions of: (a) relevant product documentation (including the relevant product data sheets); (b) Dialight terms and conditions of sale; and, (c) the relevant product warranty. To the extent that any contract is deemed formed between Dialight and the purchaser of Dialight products and/or an end-user, versions of documents available at [www.dialight.com](http://www.dialight.com) as at the date of sale shall be the versions incorporated therein. In the event of any discrepancy between this document or information provided at [www.dialight.com](http://www.dialight.com), the latter shall prevail.

# SafeSite® Ultra-Efficient LED High Bay - UL / CSA

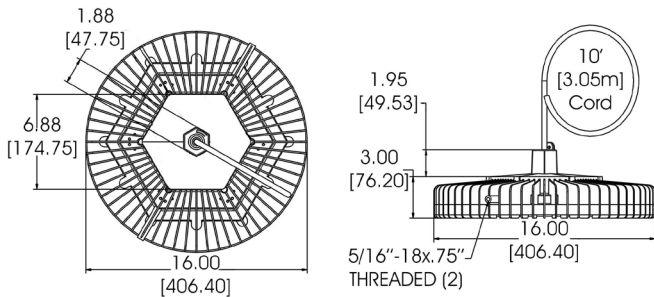
## Technical Information

### Corded Model



#### Mechanical Information:

- Fixture weight:**  
18 lbs (8.16kg)
- Shipping weight:**  
24 lbs (10.8kg)
- Mounting:**  
3/4" NPT - top  
Various Kits
- Power Cord:**  
10' 18 AWG ST00W/S00W  
Patent pending

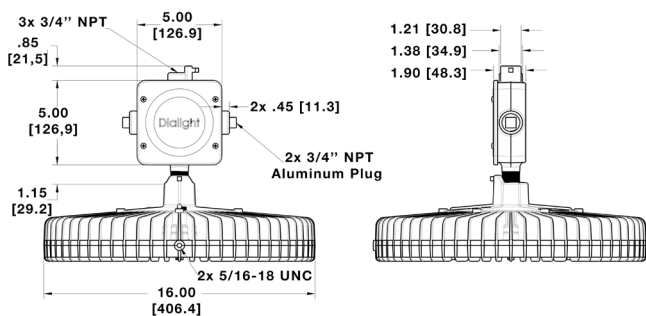


### Integrated Wiring Box Model



#### Mechanical Information:

- Fixture weight:**  
20 lbs (9 kg)
- Shipping weight:**  
26 lbs (12 kg)
- Mounting:**  
3/4" NPT or Hook
- Wiring Box Cable Entries:**  
(2x) 3/4" NPT



Dimensions in inches (mm)

#### Temperature Ratings:

**Ambient Temp Range**  
**T4 Temp Code:** -40°F to +149°F (-40°C to +65°C)

**Ambient Temp Range**  
**T5 Temp Code:** -40°F to +131°F (-40°C to +50°C)

#### Certifications & Ratings:

10 year warranty  
UL 844 (wet locations) NEMA 4X  
CSA 22.2 No. 137-M81 UL 8750  
IP66/67 L70 rated for >150,000 hours  
Class I, Div. 2 Groups A, B, C, D  
Class I, Zone 2, Group IIC  
Class II, Div. 1 Groups E, F, G (corded model only)  
Class II, Div. 2 Groups F, G  
Class III, Div. 1 & 2

#### Variable Dimming:

**Variable Dimming Control:** 0-10 VDC  
**Dimming Range:** 10 VDC = 100% light output  
0 VDC = <10% light output

#### Electrical Specifications:

**Operating voltage:** 100-277 VAC, 120-250 VDC  
347-480 VAC

**Power consumption:** See table

**Operating temp:** -40°F to +149°F (-40°C to +65°C)

**Harmonics:** IEC 61000-3-2 Class C

**Noise requirement /EMC:** FCC Title 47, Subpart B, Section 15, Class A device. RF Immunity; 10V/m, 80MHz-1GHz

**Transient protection:** 100-277 VAC models tested to withstand up to 8kV/4kA per IEEE C62.41  
347-480VAC models tested to withstand up to 6kV/3kA per IEEE C62.41

**THD:** < 20%

**Power factor:** >0.9

**Fusing:** Internal

#### Construction:

**Housing:** Copper free aluminum

**Finish:** Superior dual coat finish  
Sealed polyester topcoat  
Chemical-resistant epoxy primer

**Lens:** See table

#### Photometric Information:

**CRI:** 80, 70

**CCT:** 5000K (cool white)  
4000K (neutral white)

All values typical unless otherwise stated (tolerance +/- 10%)

**WARNING - INSTALLATION & SECONDARY RETENTION.** Use of any Dialight products without proper installation (including secondary retention / netting) and periodic inspections could cause severe injury or death. Dialight recommends that all installations should use secondary retention / netting (appropriate to the installation environment) where applicable. It is the exclusive responsibility of the contractor, installer and/or end-user to: (a) determine the suitability of the product for its intended application; and, (b) ensure that the product is safely installed (with secondary retention / netting where appropriate) and in compliance with all applicable laws and regulations. To the extent permissible under applicable laws, Dialight disclaims all liability for personal injury and/or other damage resulting from any dislodgment or other dislocation of its products.

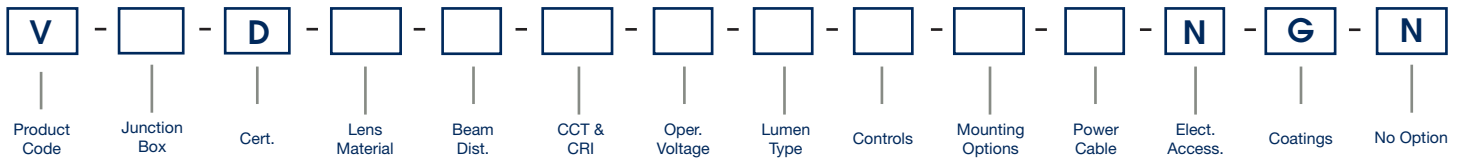
# SafeSite® Ultra-Efficient LED High Bay - UL / CSA

## Ordering Information - Corded Model & Integrated Wiring Box Model



Project Information			Specifications		
Part Number:					
Project:					
Fixture Type:		Date:			

### Ordering Information



#### Product Code

V SafeSite® High Ultra-Efficient

#### Junction Box

C Wiring Box<sup>2</sup>

E No Junction Box

#### Certification

D UL 844 CID2, CII, CIII  
Class I, Zone 2

#### Lens Material

4 Polycarbonate - Clear

7 Glass - Clear

L Polycarbonate Dome - Diffused

#### Beam Distribution

E Aisle

M Medium

N Narrow

R High Efficacy Round

#### CCT & CRI

B Cool White 5000K - 70 CRI

C Cool White 5000K - 80 CRI

L Neutral White 4000K - 70 CRI

N Neutral White 4000K - 80 CRI

#### Operating Voltage

2 100-277 VAC / 120-250 VDC

5 347-480 VAC

#### Lumen Type<sup>1</sup>

A 12,100 Lumens

B 15,000 Lumens

C 19,100 Lumens

E 26,300 Lumens

F 30,900 Lumens

H 35,700 Lumens

J 41,300 Lumens

#### Controls

D Continuous Dimming

J IntelliLED Wireless

N No Option

Q Microwave Occupancy Sensor 40<sup>3</sup>

#### Mounting Options

H Hook (Wiring Box only)

N 3/4" NPT

P Secondary Retention Bracket

#### Power Cable

N No Cord (Wiring Box only)

W 10' [3 meter] Power Cable

#### Electrical Accessories

N No Plug

\*Cord & plug options available upon request

#### Coatings

G Gray (RAL 7040)

#### Option

N No Option

#### Notes

1) Lumen type based on using a glass lens, round optic, 70CRI. See page 14 for output of other options.

2) Wiring Box is not CIID1 rated.

3) Occupancy Sensor models are dry locations only and are IP6X rated with a -20°C to +65°C ambient temperature range. Occupancy Sensor models are not CIID1 rated.

DISCLAIMER. All product information provided is, to the best of Dialight's knowledge, accurate as of the date of publication. When ordering, refer to [www.dialight.com](http://www.dialight.com) for current versions of: (a) relevant product documentation (including the relevant product data sheets); (b) Dialight terms and conditions of sale; and, (c) the relevant product warranty. To the extent that any contract is deemed formed between Dialight and the purchaser of Dialight products and/or an end-user, versions of documents available at [www.dialight.com](http://www.dialight.com) as at the date of sale shall be the versions incorporated therein. In the event of any discrepancy between this document or information provided at [www.dialight.com](http://www.dialight.com), the latter shall prevail.

# SafeSite® Ultra-Efficient LED High Bay - UL / CSA

## Ordering Information



Corded Model - 3/4" Conduit - 100-277 VAC / 120-250 VDC								
Part Number	Lumens	Wattage	lm/W	CCT, CRI	Lens	Beam Distribution	Hardware Options	Wiring
VED-7NC2-JNNW-NGN	38,200	230	166	CW, 80CRI	Glass	Narrow	Pendant 3/4" NPT	10' Power Cable
VED-7MC2-JNNW-NGN	37,400	230	163	CW, 80CRI	Glass	Medium	Pendant 3/4" NPT	10' Power Cable
VED-7MC2-HNNW-NGN	32,300	195	166	CW, 80CRI	Glass	Medium	Pendant 3/4" NPT	10' Power Cable
VED-7MC2-FNNW-NGN	28,000	165	170	CW, 80CRI	Glass	Medium	Pendant 3/4" NPT	10' Power Cable
VED-7MC2-ENNW-NGN	23,800	140	170	CW, 80CRI	Glass	Medium	Pendant 3/4" NPT	10' Power Cable
Corded Model - 3/4" Conduit - 347-480 VAC								
VED-7NC5-JNNW-NGN	38,200	230	166	CW, 80CRI	Glass	Narrow	Pendant 3/4" NPT	10' Power Cable
VED-7MC5-JNNW-NGN	37,400	230	163	CW, 80CRI	Glass	Medium	Pendant 3/4" NPT	10' Power Cable
VED-7MC5-HNNW-NGN	32,300	195	166	CW, 80CRI	Glass	Medium	Pendant 3/4" NPT	10' Power Cable
VED-7MC5-FNNW-NGN	28,000	165	170	CW, 80CRI	Glass	Medium	Pendant 3/4" NPT	10' Power Cable
VED-7MC5-ENNW-NGN	23,800	140	170	CW, 80CRI	Glass	Medium	Pendant 3/4" NPT	10' Power Cable
Integrated Wiring Box Model - Hook - 100-277 VAC / 120-250 VDC								
VCD-7NC2-JDHN-NGN	38,200	230	166	CW, 80CRI	Glass	Narrow	Hook	Wiring Box
VCD-7MC2-JDHN-NGN	37,400	230	163	CW, 80CRI	Glass	Medium	Hook	Wiring Box
VCD-7MC2-HDHN-NGN	32,300	195	166	CW, 80CRI	Glass	Medium	Hook	Wiring Box
VCD-7MC2-FDHN-NGN	28,000	165	170	CW, 80CRI	Glass	Medium	Hook	Wiring Box
VCD-7MC2-EDHN-NGN	23,800	140	170	CW, 80CRI	Glass	Medium	Hook	Wiring Box
Integrated Wiring Box Model - Hook - 347-480 VAC								
VCD-7NC5-JDHN-NGN	38,200	230	166	CW, 80CRI	Glass	Narrow	Hook	Wiring Box
VCD-7MC5-JDHN-NGN	37,400	230	163	CW, 80CRI	Glass	Medium	Hook	Wiring Box
VCD-7MC5-HDHN-NGN	32,300	195	166	CW, 80CRI	Glass	Medium	Hook	Wiring Box
VCD-7MC5-FDHN-NGN	28,000	165	170	CW, 80CRI	Glass	Medium	Hook	Wiring Box
VCD-7MC5-EDHN-NGN	23,800	140	170	CW, 80CRI	Glass	Medium	Hook	Wiring Box

All values typical unless otherwise stated (tolerance +/- 10%)

**WARNING - INSTALLATION & SECONDARY RETENTION.** Use of any Dialight products without proper installation (including secondary retention / netting) and periodic inspections could cause severe injury or death. Dialight recommends that all installations should use secondary retention / netting (appropriate to the installation environment) where applicable. It is the exclusive responsibility of the contractor, installer and/or end-user to: (a) determine the suitability of the product for its intended application; and, (b) ensure that the product is safely installed (with secondary retention / netting where appropriate) and in compliance with all applicable laws and regulations. To the extent permissible under applicable laws, Dialight disclaims all liability for personal injury and/or other damage resulting from any dislodgment or other dislocation of its products.

# SafeSite® Ultra-Efficient LED Low Bay - UL / CSA

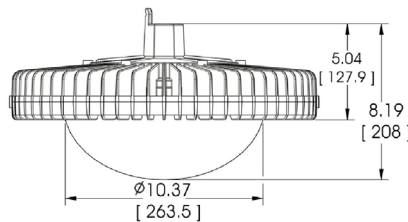
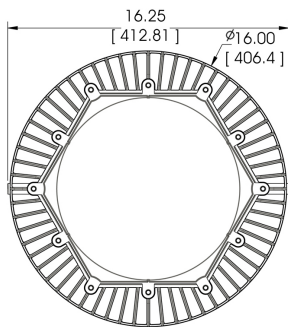
## Technical Information

### Corded Model



#### Mechanical Information:

- Fixture weight:**  
18 lbs (8.16kg)
- Shipping weight:**  
24 lbs (10.8kg)
- Mounting:**  
3/4" NPT - top  
Various Kits
- Power Cord:**  
10' 18 AWG ST00W/SOOW



#### Certifications & Ratings:

- 10 year warranty
- UL1598/A (wet locations)
- UL 8750
- IP66/67
- Class I, Div. 2 Groups A, B, C, D
- Class I, Zone 2, Group IIC
- Class II, Div. 1 Groups E, F, G (corded model only)
- Class II, Div. 2 Groups F, G
- Class III, Div. 1 & 2
- CSA 22.2 No. 250.0-08
- NEMA 4X
- L70 rated for >150,000 hours

#### Variable Dimming:

- Variable Dimming Control:** 0-10 VDC
- Dimming Range:** 10 VDC = 100% light output  
0 VDC = <10% light output

#### Electrical Specifications:

- Operating voltage:** 100-277 VAC, 120-250 VDC  
347-480 VAC
- Power consumption:** See table
- Operating temp:** -40°F to +149°F (-40°C to +65°C)
- Harmonics:** IEC 61000-3-2 Class C
- Noise requirement /EMC:** FCC Title 47, Subpart B, Section 15, Class A device. RF Immunity; 10V/m, 80MHz-1GHz
- Transient protection:** 100-277 VAC models tested to withstand up to 8kV/4kA per IEEEC62.41  
347-480VAC models tested to withstand up to 6kV/3kA per IEEEC62.41

- THD:** 6k-18k lm models: <20%
- Power factor:** >0.9
- Fusing:** Internal

#### Construction:

- Housing:** Copper free aluminum
- Finish:** Superior dual coat finish  
Sealed polyester topcoat  
Chemical-resistant epoxy primer
- Lens:** See table

#### Photometric Information:

- CRI:** 80
- CCT:** 5000K (cool white)  
4000K (neutral white)  
2700K (warm white)

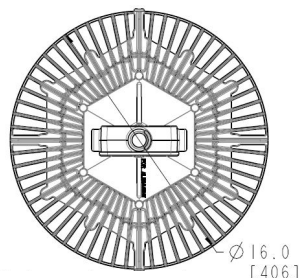
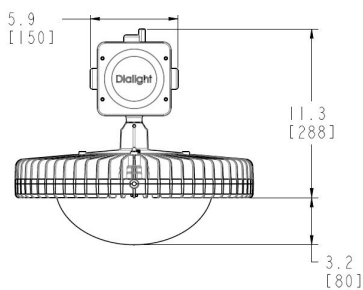
All values typical unless otherwise stated (tolerance +/- 10%)

### Integrated Wiring Box Model



#### Mechanical Information:

- Fixture weight:**  
20 lbs (9 kg)
- Shipping weight:**  
26 lbs (12 kg)
- Mounting:**  
3/4" NPT or Hook  
Various Kits
- Wiring Box Cable Entries:**  
(2x) 3/4" NPT



Dimensions in inches (mm)

**DISCLAIMER.** All product information provided is, to the best of Dialight's knowledge, accurate as of the date of publication. When ordering, refer to [www.dialight.com](http://www.dialight.com) for current versions of: (a) relevant product documentation (including the relevant product data sheets); (b) Dialight terms and conditions of sale; and, (c) the relevant product warranty. To the extent that any contract is deemed formed between Dialight and the purchaser of Dialight products and/or an end-user, versions of documents available at [www.dialight.com](http://www.dialight.com) as at the date of sale shall be the versions incorporated therein. In the event of any discrepancy between this document or information provided at [www.dialight.com](http://www.dialight.com), the latter shall prevail.

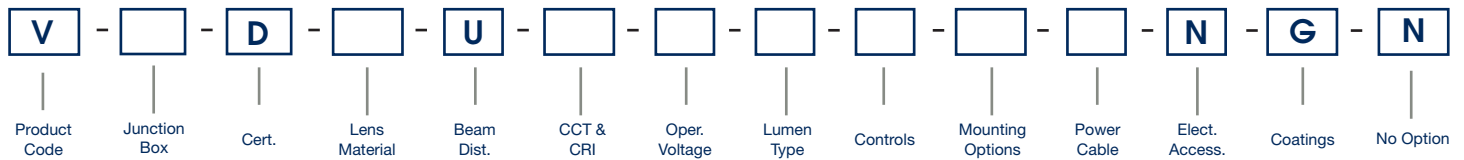
# SafeSite® Ultra-Efficient LED Low Bay - UL / CSA

## Ordering Information - Corded Model & Integrated Wiring Box Model



Project Information			Specifications		
Part Number:					
Project:					
Fixture Type:		Date:			

### Ordering Information



<b>Product Code</b> V Vigilant® Ultra-Efficient	<b>Beam Distribution</b> U Ultra Wide	<b>Lumen Type<sup>1</sup></b> 6 6,100 Lumens 9 9,000 Lumens B 13,400 Lumens C 16,600 Lumens	<b>Power Cable</b> N No Cord (Wiring Box only) W 10' [3 meter] Power Cable
<b>Junction Box</b> C Wiring Box <sup>2</sup> E No Junction Box	<b>CCT &amp; CRI</b> C Cool White 5000K - 80 CRI N Neutral White 4000K - 80 CRI	<b>Controls</b> D Continuous Dimming J IntelliLED Wireless Controls N No Option Q Microwave Occ Sensor 40 <sup>3</sup>	<b>Electrical Accessories*</b> N No Plug *Cord & plug options available upon request
<b>Certification</b> D UL 844 CID2, CII, CIII Class I, Zone 2	<b>Operating Voltage</b> 2 100-277 VAC / 120-250 VDC 5 347-480 VAC	<b>Mounting Options</b> H Hook N Pendant 3/4" NPT P Pendant 3/4" NPT with Safety Retention Tabs R Safety Retention Tabs with Hook	<b>Coatings</b> G Gray (RAL 7040)
<b>Lens Material</b> 4 Polycarbonate - Clear 5 Polycarbonate - Diffused L Polycarbonate Dome - Diffused			<b>Option</b> N No Option

Notes
1) Lumen type based on using a polycarbonate dome lens. See page 14 for output of other options.
2) Wiring Box is not CIID1 rated.
3) Occupancy Sensor models are dry locations only and are IP6X rated with a -20°C to +65°C ambient temperature range. Occupancy Sensor models are not CIID1 rated.

**WARNING - INSTALLATION & SECONDARY RETENTION.** Use of any Dialight products without proper installation (including secondary retention / netting) and periodic inspections could cause severe injury or death. Dialight recommends that all installations should use secondary retention / netting (appropriate to the installation environment) where applicable. It is the exclusive responsibility of the contractor, installer and/or end-user to: (a) determine the suitability of the product for its intended application; and, (b) ensure that the product is safely installed (with secondary retention / netting where appropriate) and in compliance with all applicable laws and regulations. To the extent permissible under applicable laws, Dialight disclaims all liability for personal injury and/or other damage resulting from any dislodgment or other dislocation of its products.

# SafeSite® Ultra-Efficient LED Low Bay - UL / CSA

## Ordering Information - Corded Model & Integrated Wiring Box Model



Corded Model - 3/4" Conduit - 100-277 VAC / 120-250 VDC								
Part Number	Lumens	Wattage	lm/W	CCT, CRI	Lens	Beam Distribution	Hardware Options	Wiring
VED-LUC2-CNNW-NGN	16,700	115	145	CW, 80CRI	Polycarbonate Dome - Diffused	Ultra Wide	Pendant 3/4" NPT	10' Power Cable
VED-LUC2-BNNW-NGN	13,400	90	149	CW, 80CRI	Polycarbonate Dome - Diffused	Ultra Wide	Pendant 3/4" NPT	10' Power Cable
VED-LUC2-9NNW-NGN	9,000	60	150	CW, 80CRI	Polycarbonate Dome - Diffused	Ultra Wide	Pendant 3/4" NPT	10' Power Cable
VED-LUC2-6NNW-NGN	6,100	43	142	CW, 80CRI	Polycarbonate Dome - Diffused	Ultra Wide	Pendant 3/4" NPT	10' Power Cable
Corded Model - 3/4" Conduit - 347-480 VAC								
VED-LUC5-CNNW-NGN	16,700	115	145	CW, 80CRI	Polycarbonate Dome - Diffused	Ultra Wide	Pendant 3/4" NPT	10' Power Cable
VED-LUC5-BNNW-NGN	13,400	90	149	CW, 80CRI	Polycarbonate Dome - Diffused	Ultra Wide	Pendant 3/4" NPT	10' Power Cable
VED-LUC5-9NNW-NGN	9,000	60	150	CW, 80CRI	Polycarbonate Dome - Diffused	Ultra Wide	Pendant 3/4" NPT	10' Power Cable
Integrated Wiring Box Model - Hook - 100-277 VAC / 120-250 VDC								
VCD-LUC2-CDHN-NGN	16,700	115	145	CW, 80CRI	Polycarbonate Dome - Diffused	Ultra Wide	Hook	Wiring Box
VCD-LUC2-BDHN-NGN	13,400	90	149	CW, 80CRI	Polycarbonate Dome - Diffused	Ultra Wide	Hook	Wiring Box
VCD-LUC2-9DHN-NGN	9,000	60	150	CW, 80CRI	Polycarbonate Dome - Diffused	Ultra Wide	Hook	Wiring Box
VCD-LUC2-6DHN-NGN	6,100	43	142	CW, 80CRI	Polycarbonate Dome - Diffused	Ultra Wide	Hook	Wiring Box
Integrated Wiring Box Model - Hook - 347-480 VAC								
VCD-LUC5-CDHN-NGN	16,700	115	145	CW, 80CRI	Polycarbonate Dome - Diffused	Ultra Wide	Hook	Wiring Box
VCD-LUC5-BDHN-NGN	13,400	90	149	CW, 80CRI	Polycarbonate Dome - Diffused	Ultra Wide	Hook	Wiring Box
VCD-LUC5-9DHN-NGN	9,000	60	150	CW, 80CRI	Polycarbonate Dome - Diffused	Ultra Wide	Hook	Wiring Box

All values typical unless otherwise stated (tolerance +/- 10%)

**DISCLAIMER.** All product information provided is, to the best of Dialight's knowledge, accurate as of the date of publication. When ordering, refer to [www.dialight.com](http://www.dialight.com) for current versions of: (a) relevant product documentation (including the relevant product data sheets); (b) Dialight terms and conditions of sale; and, (c) the relevant product warranty. To the extent that any contract is deemed formed between Dialight and the purchaser of Dialight products and/or an end-user, versions of documents available at [www.dialight.com](http://www.dialight.com) as at the date of sale shall be the versions incorporated therein. In the event of any discrepancy between this document or information provided at [www.dialight.com](http://www.dialight.com), the latter shall prevail.

# SafeSite® LED High Bay - UL / CSA

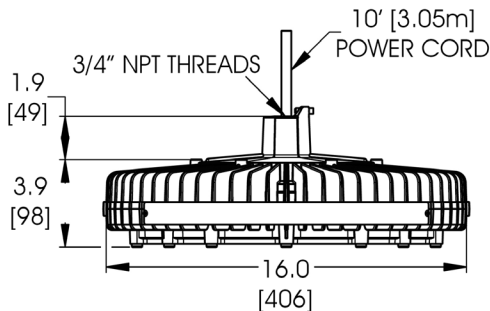
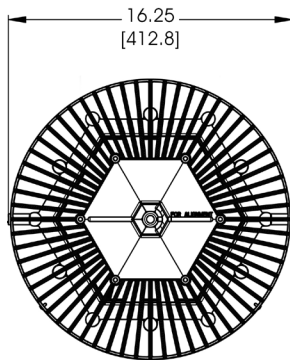
Class I, Div. 1 and Class I, Zone 1 - 100-277 VAC



**Mechanical Information:**

- Fixture weight:**  
30 lb (13.6 kg)
- Shipping weight:**  
35 lb (15.9 kg)
- Mounting:**  
3/4" NPT - top  
Various Kits  
Secondary retention option available
- Power Cord:**  
10' 18 AWG ST00W

- 10 year warranty
- Class I, Div. 1 Groups C, D
- Class I, Div. 1 Groups B, C, D
- Class I Zone 1, Groups IIB
- Class I, Div. 2 Groups C, D
- Class II, Div. 1 Groups E, F, G
- Class II, Div. 2 Groups F, G
- \*Group B applies to HEP models only



Dimensions in inches [mm]

**Temperature Ratings:**

**Ambient Temp Range**  
**T4 Temp Code:** -40°F to +149°F (-40°C to +65°C)

**Ambient Temp Range**  
**T5 Temp Code:** -40°F to +131°F (-40°C to +50°C)

**Certifications & Ratings:**

UL 844 (wet locations)	NEMA 4X
CSA 22.2 No. 137-M81	UL 8750
IP66/67 (100-277 Models)	L70 rated for >150,000 hours

**Variable Dimming:**

**Variable Dimming Control:** 0-10 VDC

**Dimming Range:** 10 VDC = 100% light output  
0 VDC = <5% light output

**Electrical Specifications:**

**Operating voltage:** 100-277 VAC, 120-250 VDC

**Power consumption:** See table

**Operating temp:** -40°F to +149°F (-40°C to +65°C)

**Harmonics:** IEC 61000-3-2

**Noise requirement /EMC:** FCC Title 47, Subpart B, Section 15, Class A device. RF Immunity; 10V/m, 80MHz-1GHz

**Transient protection:** Protection devices capable of handling up to 6kA. Tested with 10kv/2 ohm combination wave, as per IEEE C62.41, line-line and line-ground

**THD:** < 20%

**Power factor:** >0.9

**Fusing:** Internal

**Construction:**

- Housing:** Copper free aluminum
- Finish:** Superior dual coat finish  
Sealed polyester topcoat  
Chemical-resistant epoxy primer
- Lens:** See table

**Photometric Information:**

- CRI:** 80
- CCT:** 5000K (cool white)  
4000K (neutral white)

All values typical unless otherwise stated (tolerance +/- 10%)

**WARNING - INSTALLATION & SECONDARY RETENTION.** Use of any Dialight products without proper installation (including secondary retention / netting) and periodic inspections could cause severe injury or death. Dialight recommends that all installations should use secondary retention / netting (appropriate to the installation environment) where applicable. It is the exclusive responsibility of the contractor, installer and/or end-user to: (a) determine the suitability of the product for its intended application; and, (b) ensure that the product is safely installed (with secondary retention / netting where appropriate) and in compliance with all applicable laws and regulations. To the extent permissible under applicable laws, Dialight disclaims all liability for personal injury and/or other damage resulting from any dislodgment or other dislocation of its products.

# SafeSite® LED High Bay - UL / CSA

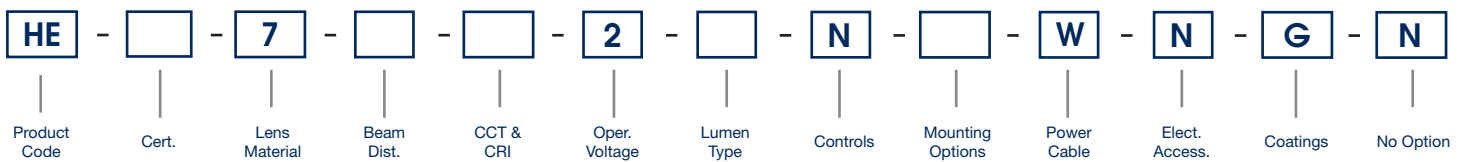
## Class I, Div. 1 and Class I, Zone 1 - 100-277 VAC



Project Information	
Part Number:	
Project:	
Fixture Type:	Date:

Specifications

### Ordering Information



Product Code	Beam Distribution	Lumen Type	Power Cable
HE High Bay 3/4" NPT	E Oval	A 9,500 Lumens	W 10' [3 meter] Power Cable
Certification	M Medium	B 12,500 Lumens	Electrical Accessories
C UL 844, CID1, Class I, Zone 1	N Narrow	C 16,000 Lumens	N No Plug
M UL 844, CID1 Paint Spray Class I, Zone 1	W Wide	E 23,500 Lumens	Coatings
P UL 844, CID1 Group B, Class I, Zone 1	CCT & CRI	Controls	G Gray (RAL 7040)
Lens Material	C Cool White 5000K - 80 CRI	N No Option	Option
7 Tempered Glass	N Neutral White 4000K - 80 CRI	Mounting Options	N No Option
Operating Voltage	2 100-277 VAC / 120-250 VDC	N Pendant 3/4" NPT	
		P Pendant 3/4" NPT with Safety Retention Tabs	

**Notes**  
 1) Lumen type based on using a glass lens. See tables for lumens when changing lenses.

**DISCLAIMER.** All product information provided is, to the best of Dialight's knowledge, accurate as of the date of publication. When ordering, refer to [www.dialight.com](http://www.dialight.com) for current versions of: (a) relevant product documentation (including the relevant product data sheets); (b) Dialight terms and conditions of sale; and, (c) the relevant product warranty. To the extent that any contract is deemed formed between Dialight and the purchaser of Dialight products and/or an end-user, versions of documents available at [www.dialight.com](http://www.dialight.com) as at the date of sale shall be the versions incorporated therein. In the event of any discrepancy between this document or information provided at [www.dialight.com](http://www.dialight.com), the latter shall prevail.

# Ordering Information

## SafeSite® LED High Bay

### Class I, Div. 1 and Class I, Zone 1 - 100-277 VAC



Class I, Div. 1 and Class I, Zone 1 - 100-277 VAC										
Part Number	Lumens	Wattage	lm/W	Certification	CCT	Lens	Beam Distribution	Controls Option	Hardware Options	Wiring
HEC-7WC2-ENNW-NGN	23,500	186	126	CID1	CW	Tempered Glass	Wide	No controls	Pendant 3/4" NPT	10' Power Cable
HEC-7MC2-ENPW-NGN	23,500	186	126	CID1	CW	Tempered Glass	Medium	No controls	Pendant 3/4" NPT with Safety Tabs	10' Power Cable
HEM-7MC2-ENNW-NGN	23,500	186	126	Paint Spray	CW	Tempered Glass	Medium	No controls	Pendant 3/4" NPT	10' Power Cable
HEC-7MC2-CNNW-NGN	16,000	129	124	CID1	CW	Tempered Glass	Medium	No controls	Pendant 3/4" NPT	10' Power Cable
HEC-7WC2-CNWW-NGN	16,000	129	124	CID1	CW	Tempered Glass	Wide	No controls	Safety Bracket w/ SS 316 Forward Throw Bracket	10' Power Cable
HEC-7MC2-CNPW-NGN	16,000	129	124	CID1	CW	Tempered Glass	Medium	No controls	Pendant 3/4" NPT with Safety Tabs	10' Power Cable
HEC-7WC2-CNTW-NGN	16,000	129	124	CID1	CW	Tempered Glass	Wide	No controls	Safety Bracket w/ Locking Swivel Mount/Bracket SS316	10' Power Cable
HEC-7WC2-CNNW-NGN	16,000	129	124	CID1	CW	Tempered Glass	Wide	No controls	Pendant 3/4" NPT	10' Power Cable
HEC-7WC2-CNPW-NGN	16,000	129	124	CID1	CW	Tempered Glass	Wide	No controls	Pendant 3/4" NPT with Safety Tabs	10' Power Cable
HEM-7MC2-CNNW-NGN	16,000	129	124	Paint Spray	CW	Tempered Glass	Medium	No controls	Pendant 3/4" NPT	10' Power Cable
HEC-7MC2-BNNW-NGN	12,500	102	123	CID1	CW	Tempered Glass	Medium	No controls	Pendant 3/4" NPT	10' Power Cable
HEC-7WC2-BNPW-NGN	12,500	102	123	CID1	CW	Tempered Glass	Wide	No controls	Pendant 3/4" NPT with Safety Tabs	10' Power Cable
HEM-7WC2-BNNW-NGN	12,500	102	123	Paint Spray	CW	Tempered Glass	Wide	No controls	Pendant 3/4" NPT	10' Power Cable
HEC-7WC2-BNNW-NGN	12,500	102	123	CID1	CW	Tempered Glass	Wide	No controls	Pendant 3/4" NPT	10' Power Cable
HEC-7MC2-BNPW-NGN	12,500	102	123	CID1	CW	Tempered Glass	Medium	No controls	Pendant 3/4" NPT with Safety Tabs	10' Power Cable
HEM-7WN2-ANNW-NGN	9,500	80	119	Paint Spray	NW	Tempered Glass	Wide	No controls	Pendant 3/4" NPT	10' Power Cable
HEC-7MC2-ANNW-NGN	9,500	80	119	CID1	CW	Tempered Glass	Medium	No controls	Pendant 3/4" NPT	10' Power Cable
HEC-7WC2-ANNW-NGN	9,500	80	119	CID1	CW	Tempered Glass	Wide	No controls	Pendant 3/4" NPT	10' Power Cable
HEC-7MN2-ANNW-NGN	9,250	80	116	CID1	NW	Tempered Glass	Medium	No controls	Pendant 3/4" NPT	10' Power Cable

All values typical unless otherwise stated (tolerance +/- 10%).

0-10V dimming option available for products in the above table. Replace the ninth character **N** with **D**. Ex: HEC-7WC2-~~EN~~NNW-NGN becomes HEC-7WC2-**ED**NW-NGN. See ordering chart for additional options.

# SafeSite® LED High Bay - UL / CSA

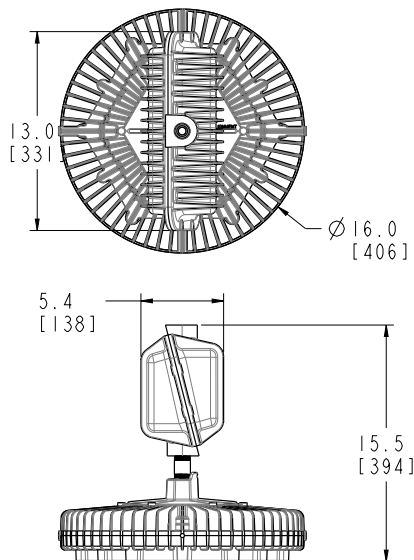
## Class I, Div. 1 Passive Power Supply Model - 347 or 480 VAC



Patent pending

### Certifications & Ratings:

- UL 844 (wet locations)
- CSA C22.2 No. 137-M81
- IP66/67
- NEMA 4X
- L70 rated for >150,000 hours
- Class I, Div. 1 Groups C, D
- Zone 1, Group IIB
- Class I, Div. 2 Groups C, D
- Class II, Div. 1 Groups E, F, G
- Class II, Div. 2 Groups F, G



Dimensions in inches (mm)

### Mechanical Information:

<b>Fixture weight:</b>	52 lbs (23.6 kg)
<b>Shipping weight:</b>	59 lbs (26.8 kg)
<b>Mounting:</b>	3/4" NPT - top

### Temperature Ratings:

<b>Ambient temp range T4A temp code:</b>	-40°F to +149°F (-40°C to +65°C)
--	----------------------------------

<b>Ambient temp range T5 temp code:</b>	-40°F to +131°F (-40°C to +55°C)
---	----------------------------------

### Electrical Specifications:

<b>Operating voltage:</b>	347 or 480 VAC (see part number table)
---------------------------	---

<b>Total system power consumption:</b>	See table
--	-----------

<b>Operating temperature:</b>	-40°F to +149°F (-40°C to +65°C)
-------------------------------	----------------------------------

<b>Noise requirement /EMC:</b>	FCC Title 47, Subpart B, Section 15, class A device. RF Immunity; 10V/m, 80MHz-1GHz
--------------------------------	---

<b>Transient protection:</b>	Tested for 10kV/2 ohm combination wave, as per IEEE C62.41, line-line and line ground
------------------------------	---

<b>THD:</b>	<10K <30% >10K <20%
-------------	------------------------

<b>Power factor:</b>	>0.9
----------------------	------

<b>Fusing:</b>	Internal
----------------	----------

### Construction:

<b>Housing:</b>	Copper free aluminum
<b>Finish:</b>	Superior dual coat finish - Sealed polyester topcoat - Epoxy primer

<b>Lens:</b>	See table
--------------	-----------

### Photometric Information:

<b>CRI:</b>	80
<b>CCT:</b>	5000K (cool white) 4000K (neutral white)

All values typical unless otherwise stated (tolerance +/- 10%)

**DISCLAIMER.** All product information provided is, to the best of Dialight's knowledge, accurate as of the date of publication. When ordering, refer to [www.dialight.com](http://www.dialight.com) for current versions of: (a) relevant product documentation (including the relevant product data sheets); (b) Dialight terms and conditions of sale; and, (c) the relevant product warranty. To the extent that any contract is deemed formed between Dialight and the purchaser of Dialight products and/or an end-user, versions of documents available at [www.dialight.com](http://www.dialight.com) as at the date of sale shall be the versions incorporated therein. In the event of any discrepancy between this document or information provided at [www.dialight.com](http://www.dialight.com), the latter shall prevail.

# SafeSite® LED High Bay - UL / CSA

Class I, Div. 1 Passive Power Supply Model - 347 or 480 VAC



Project Information			Specifications		
Part Number:					
Project:					
Fixture Type:		Date:			

## Ordering Information

HE	C	7	M				N		W	N	G	N
Product Code	Cert.	Lens Material	Beam Dist.	CCT & CRI	Oper. Voltage	Lumen Type	Controls	Mounting Options	Power Cable	Elect. Access.	Coatings	No Option
<b>Product Code</b>	<b>Beam Distribution</b>		<b>Lumen Type<sup>1</sup></b>		<b>Power Cable</b>							
HE High Bay Passive Power Supply	M Medium		A 9,500 Lumens B 14,000 Lumens C 18,000 Lumens E 27,000 Lumens		W 10' (3 meter) Power Cable							
<b>Certification</b>	<b>CCT &amp; CRI</b>		<b>Controls</b>		<b>Electrical Accessories</b>							
C UL 844 CID1	C Cool White 5000K - 80 CRI N Neutral White 4000K - 80 CRI		N No Option		N No Plug							
<b>Lens Material</b>	<b>Operating Voltage</b>		<b>Mounting Options</b>		<b>Coatings</b>							
7 Tempered Glass	P 480 VAC Q 347 VAC		N Pendant 3/4" NPT P Pendant 3/4" NPT with Safety Retention Tabs		G Gray (RAL 7040)							
					<b>Option</b>							
					N No Option							

**Notes**

1) Lumen values provided for reference only. Actual lumen values provided in the table on page 3.

Part Number	Lumens	Wattage	lm/W	CCT	Lens	Beam Distribution	Hardware Options	Wiring
<b>347 VAC Models</b>								
HEC-7MCQ-ENNW-NGN	27,400	206	133	5000K (cool white)	Tempered Glass	Medium	Pendant 3/4" NPT	10' Power Cable
HEC-7MCQ-CNNW-NGN	18,300	136	135	5000K (cool white)	Tempered Glass	Medium	Pendant 3/4" NPT	10' Power Cable
HEC-7MCQ-BNNW-NGN	13,200	100	132	5000K (cool white)	Tempered Glass	Medium	Pendant 3/4" NPT	10' Power Cable
HEC-7MCQ-ANNW-NGN	9,800	81	121	5000K (cool white)	Tempered Glass	Medium	Pendant 3/4" NPT	10' Power Cable
<b>480 VAC Models</b>								
HEC-7MCP-ENNW-NGN	27,200	206	132	5000K (cool white)	Tempered Glass	Medium	Pendant 3/4" NPT	10' Power Cable
HEC-7MCP-CNNW-NGN	18,200	129	141	5000K (cool white)	Tempered Glass	Medium	Pendant 3/4" NPT	10' Power Cable
HEC-7MCP-BNNW-NGN	15,200	116	131	5000K (cool white)	Tempered Glass	Medium	Pendant 3/4" NPT	10' Power Cable
HEC-7MCP-ANNW-NGN	9,400	73	129	5000K (cool white)	Tempered Glass	Medium	Pendant 3/4" NPT	10' Power Cable

All values typical unless otherwise stated (tolerance +/- 10%)

See ordering chart for additional options.

**DISCLAIMER.** All product information provided is, to the best of Dialight's knowledge, accurate as of the date of publication. When ordering, refer to [www.dialight.com](http://www.dialight.com) for current versions of: (a) relevant product documentation (including the relevant product data sheets); (b) Dialight terms and conditions of sale; and, (c) the relevant product warranty. To the extent that any contract is deemed formed between Dialight and the purchaser of Dialight products and/or an end-user, versions of documents available at [www.dialight.com](http://www.dialight.com) as at the date of sale shall be the versions incorporated therein. In the event of any discrepancy between this document or information provided at [www.dialight.com](http://www.dialight.com), the latter shall prevail.

# SafeSite® LED High Bay - UL / CSA

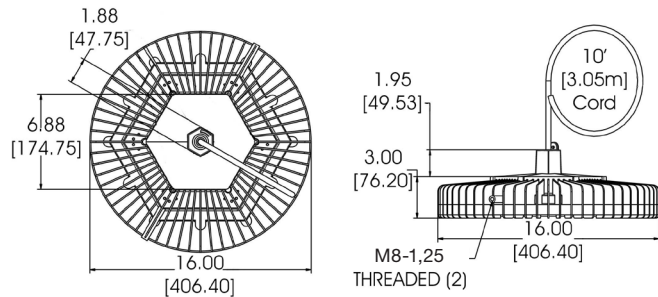
Class I, Div. 2 and Class I, Zone 2 - 100-277 VAC

## Corded Model



### Mechanical Information:

- Fixture weight:**  
18 lb (8.2 kg)
- Shipping weight:**  
24 lb (10.9 kg)
- Mounting:**  
3/4" NPT - top  
Various Kits  
Secondary retention option available
- Power Cord:**  
10' 18 AWG ST00W  
Patent pending

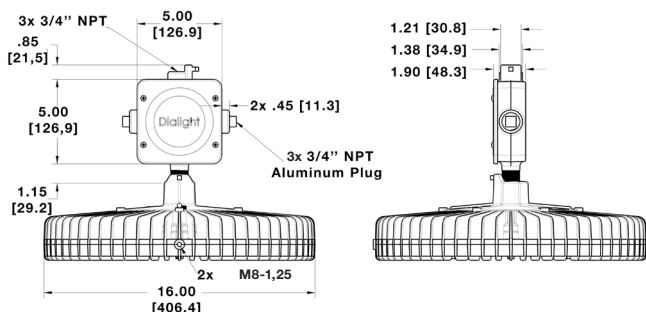


## Integrated Wiring Box Model



### Mechanical Information:

- Fixture weight:**  
20 lb (9.1 kg)
- Shipping weight:**  
26 lb (11.8 kg)
- Mounting:**  
3/4" NPT or Hook  
Secondary retention option available
- Wiring Box Cable Entries:**  
(3x) 3/4" NPT



Dimensions in inches [mm]

### Temperature Ratings:

**Ambient Temp Range**  
**T4 Temp Code:** -40°F to +149°F (-40°C to +65°C)

**Ambient Temp Range**  
**T5 Temp Code:** -40°F to +131°F (-40°C to +50°C)

### Certifications & Ratings:

UL 844 (wet locations) NEMA 4X  
 CSA 22.2 No. 137-M81 UL 8750  
 IP66/67 (100-277 Models) L70 rated for >150,000 hours  
 Class I, Div. 2 Groups A, B, C, D  
 Class I, Zone 2, Group IIC  
 Class II, Div. 1 Groups E, F, G (HE models only)  
 Class II, Div. 2 Groups F, G  
 Class III, Div. 1 & 2  
 10 year warranty

### Variable Dimming:

**Variable Dimming Control:** 0-10 VDC  
**Dimming Range:** 10 VDC = 100% light output  
 0 VDC = <5% light output

### Electrical Specifications:

**Operating voltage:** 100-277 VAC, 120-250 VDC  
**Power consumption:** See table  
**Operating temp:** -40°F to +149°F (-40°C to +65°C)  
**Harmonics:** IEC 61000-3-2

**Noise requirement /EMC:** FCC Title 47, Subpart B, Section 15, Class A device. RF Immunity; 10V/m, 80MHz-1GHz

**Transient protection:** Protection devices capable of handling up to 6kA. Tested with 10kv/2 ohm combination wave, as per IEEE C62.41, line-line and line-ground

**THD:** < 20%

**Power factor:** >0.9

**Fusing:** Internal

### Construction:

**Housing:** Copper free aluminum  
**Finish:** Superior dual coat finish  
 Sealed polyester topcoat  
 Chemical-resistant epoxy primer

**Lens:** See table

### Photometric Information:

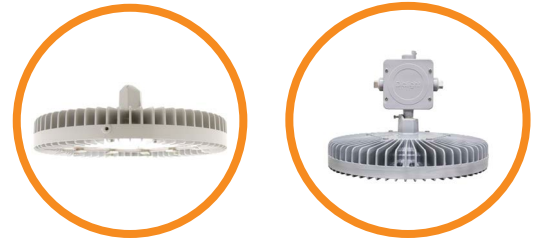
**CRI:** 80  
**CCT:** 5000K (cool white)  
 4000K (neutral white)

All values typical unless otherwise stated (tolerance +/- 10%)

**WARNING - INSTALLATION & SECONDARY RETENTION.** Use of any Dialight products without proper installation (including secondary retention / netting) and periodic inspections could cause severe injury or death. Dialight recommends that all installations should use secondary retention / netting (appropriate to the installation environment) where applicable. It is the exclusive responsibility of the contractor, installer and/or end-user to: (a) determine the suitability of the product for its intended application; and, (b) ensure that the product is safely installed (with secondary retention / netting where appropriate) and in compliance with all applicable laws and regulations. To the extent permissible under applicable laws, Dialight disclaims all liability for personal injury and/or other damage resulting from any dislodgment or other dislocation of its products.

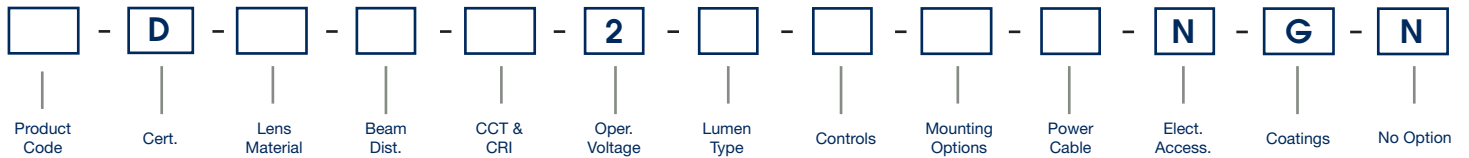
# SafeSite® LED High Bay - UL / CSA

## Class I, Div. 2 and Class I, Zone 2 - 100-277 VAC



Project Information		Specifications	
Part Number:			
Project:			
Fixture Type:		Date:	

### Ordering Information



<b>Product Code</b> HC High Bay Integrated Pendant Wiring Box HE High Bay 3/4" NPT	<b>Beam Distribution</b> E Oval M Medium N Narrow W Wide	<b>Lumen Type</b> A 11,250 Lumens B 14,250 Lumens C 19,500 Lumens E 26,250 Lumens	<b>Power Cable</b> N No Cord (HC only) W 10' [3 meter] Power Cable
<b>Certification</b> D UL 844 CID2, CII, CIII Class I, Zone 2	<b>CCT &amp; CRI</b> C Cool White 5000K - 80 CRI N Neutral White 4000K - 80 CRI	<b>Controls</b> D Dimming (0-10V) N No Option	<b>Electrical Accessories</b> N No Plug
<b>Lens Material</b> 4 Polycarbonate - Clear 7 Tempered Glass L Polycarbonate Dome - Diffused R Power Wash Tempered Glass	<b>Operating Voltage</b> 2 100-277 VAC / 120-250 VDC	<b>Mounting Options</b> H Hook (HC only) N Pendant 3/4" NPT P Pendant 3/4" NPT with Safety Retention Tabs R Safety Retention Tabs with Hook (HC only)	<b>Coatings</b> G Gray (RAL 7040)
			<b>Option</b> N No Option

**Notes**  
 1) Lumen type based on using a glass lens. See tables for lumens when changing lenses.

**DISCLAIMER.** All product information provided is, to the best of Dialight's knowledge, accurate as of the date of publication. When ordering, refer to [www.dialight.com](http://www.dialight.com) for current versions of: (a) relevant product documentation (including the relevant product data sheets); (b) Dialight terms and conditions of sale; and, (c) the relevant product warranty. To the extent that any contract is deemed formed between Dialight and the purchaser of Dialight products and/or an end-user, versions of documents available at [www.dialight.com](http://www.dialight.com) as at the date of sale shall be the versions incorporated therein. In the event of any discrepancy between this document or information provided at [www.dialight.com](http://www.dialight.com), the latter shall prevail.

# Ordering Information

## Class I, Div. 2 and Class I, Zone 2 - 100-277 VAC



Corded Model - Class I, Div. 2 and Class I, Zone 2 - 100-277 VAC

Part Number	Lumens	Wattage	lm/W	CCT	Lens	Beam Distribution	Controls Option	Hardware Options	Wiring
HED-7WC2-ENNW-NGN	26,250	186	141	CW	Tempered Glass	Wide	No controls	Pendant 3/4" NPT	10' Power Cable
HED-7MC2-ENPW-NGN	26,250	186	141	CW	Tempered Glass	Medium	No controls	Pendant 3/4" NPT with Safety Tabs	10' Power Cable
HED-7WC2-ENPW-NGN	26,250	186	141	CW	Tempered Glass	Wide	No controls	Pendant 3/4" NPT with Safety Tabs	10' Power Cable
HED-7WC2-ENTW-NGN	26,250	186	141	CW	Tempered Glass	Wide	No controls	Safety Bracket w/ Locking Swivel Mount/ Bracket SS316	10' Power Cable
HED-7MC2-ENNW-NGN	26,250	186	141	CW	Tempered Glass	Medium	No controls	Pendant 3/4" NPT	10' Power Cable
HED-7WC2-ENWV-NGN	26,250	186	141	CW	Tempered Glass	Wide	No controls	Safety Bracket w/ SS 316 Forward Throw Bracket	10' Power Cable
HED-4MC2-ENNW-NGN	25,250	186	136	CW	Polycarbonate - Clear	Medium	No controls	Pendant 3/4" NPT	10' Power Cable
HED-7WC2-CNPW-NGN	19,500	129	151	CW	Tempered Glass	Wide	No controls	Safety Bracket w/ SS 316 Forward Throw Bracket	10' Power Cable
HED-7MC2-CNPW-NGN	19,500	129	151	CW	Tempered Glass	Medium	No controls	Safety Tabs	10' Power Cable
HED-7WC2-CNNW-NGN	19,500	129	151	CW	Tempered Glass	Wide	No controls	Pendant 3/4" NPT	10' Power Cable
HED-7WC2-CNTW-NGN	19,500	129	151	CW	Tempered Glass	Wide	No controls	Safety Bracket w/ Locking Swivel Mount/ Bracket SS316	10' Power Cable
HED-4MC2-CNNW-NGN	18,750	129	145	CW	Polycarbonate - Clear	Medium	No controls	Pendant 3/4" NPT	10' Power Cable
HED-7MC2-CNNW-NGN	19,500	129	151	CW	Tempered Glass	Medium	No controls	Pendant 3/4" NPT	10' Power Cable
HED-7MC2-BNPW-NGN	14,250	102	140	CW	Tempered Glass	Medium	No controls	Pendant 3/4" NPT	10' Power Cable
HED-7WC2-BNPW-NGN	14,250	102	140	CW	Tempered Glass	Wide	No controls	Pendant 3/4" NPT with Safety Tabs	10' Power Cable
HED-7MC2-BNPW-NGN	14,250	102	140	CW	Tempered Glass	Medium	No controls	Pendant 3/4" NPT with Safety Tabs	10' Power Cable
HED-7MN2-BNPW-NGN	13,750	102	135	NW	Tempered Glass	Medium	No controls	Pendant 3/4" NPT with Safety Tabs	10' Power Cable
HED-7WC2-BNNW-NGN	14,250	102	140	CW	Tempered Glass	Wide	No controls	Pendant 3/4" NPT	10' Power Cable
HED-4MC2-BNNW-NGN	13,750	102	135	CW	Polycarbonate - Clear	Medium	No controls	Pendant 3/4" NPT	10' Power Cable
HED-7MC2-ANNW-NGN	11,250	80	141	CW	Tempered Glass	Medium	No controls	Pendant 3/4" NPT	10' Power Cable
HED-7MC2-ANPW-NGN	11,250	80	141	CW	Tempered Glass	Medium	No controls	Pendant 3/4" NPT with Safety Tabs	10' Power Cable
HED-7WC2-ANNW-NGN	11,250	80	141	CW	Tempered Glass	Wide	No controls	Pendant 3/4" NPT	10' Power Cable
HED-4MC2-ANNW-NGN	10,750	80	134	CW	Polycarbonate - Clear	Medium	No controls	Pendant 3/4" NPT	10' Power Cable
HED-5MC2-ANNW-NGN	10,500	80	131	CW	Polycarbonate - Diffused	Medium	No controls	Pendant 3/4" NPT	10' Power Cable

All values typical unless otherwise stated (tolerance +/- 10%).

0-10V dimming option available for products in the above table. Replace the ninth character **N** with **D**. Ex: HED-7MC2-~~EN~~NW-NGN becomes HED-7MC2-~~EN~~DNW-NGN.

**DISCLAIMER.** All product information provided is, to the best of Dialight's knowledge, accurate as of the date of publication. When ordering, refer to [www.dialight.com](http://www.dialight.com) for current versions of: (a) relevant product documentation (including the relevant product data sheets); (b) Dialight terms and conditions of sale; and, (c) the relevant product warranty. To the extent that any contract is deemed formed between Dialight and the purchaser of Dialight products and/or an end-user, versions of documents available at [www.dialight.com](http://www.dialight.com) as at the date of sale shall be the versions incorporated therein. In the event of any discrepancy between this document or information provided at [www.dialight.com](http://www.dialight.com), the latter shall prevail.

# SafeSite® LED High Bay - UL / CSA

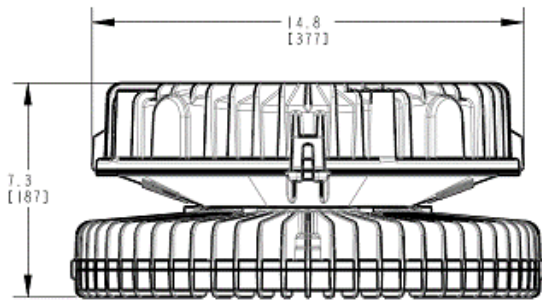
## Wiring Box Model & Passive Power Supply Model - 347 and 480 VAC

### Wiring Box Model - 347-480 VAC



**Mechanical Information:**

- Fixture weight:**  
34 lb (15.4 kg)
- Shipping weight:**  
39 lb (17.7 kg)
- Mounting:**  
3/4" NPT - top  
Various Kits  
Secondary retention option available
- Wiring Box Cable Entries:**  
(5x) 3/4" NPT

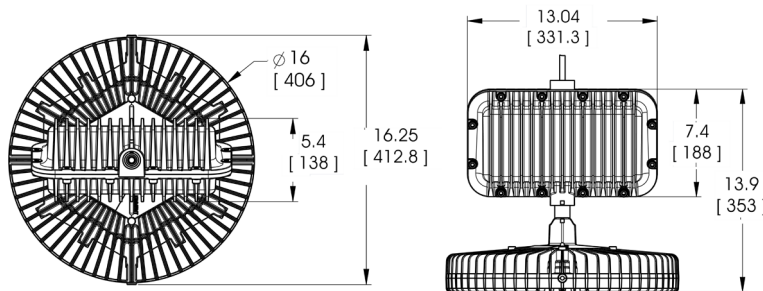


### Passive Power Supply Model - 347 or 480 VAC



**Mechanical Information:**

- Fixture weight:**  
40 lb (18.1 kg)
- Shipping weight:**  
45 lb (20.4 kg)
- Mounting:**  
3/4" NPT - top  
Various Kits  
Secondary retention option available  
Patent pending



Dimensions in inches [mm]

**Certifications & Ratings:**

- UL 1598/A (wet locations)
- UL 8750
- IP66
- Class I, Div. 2 Groups A, B, C, D
- Class I, Zone 2, Group IIC
- Class II, Div. 1 Groups E, F, G
- Class II, Div. 2 Groups F, G
- Class III, Div. 1 & 2
- 10 year warranty
- CSA C22.2 No. 250.0-08
- NEMA 4X
- L70 rated for >150,000 hours

**Variable Dimming:**

**Variable Dimming Control:** 0-10 VDC

**Electrical Specifications:**

- Operating Voltage:** 347-480 VAC  
347 or 480 VAC (Passive only)
- Total system power consumption:** See table
- Operating Temp:** -40°F to +149°F (-40°C to +65°C)
- Harmonics:** IEC 61000-3-2
- Noise requirement /EMC:** FCC Title 47, Subpart B, Section 15, class A device. RF Immunity; 10V/m, 80MHz-1GHz
- Transient protection:** Protection devices capable of handling up to 10kv. Tested for 10kv/2 ohm combination wave, as per IEEE C62.41, line-line and line ground
- THD:** <20%
- Power Factor:** >0.9
- Fusing:** Internal

**Construction:**

- Housing:** Copper free aluminum
- Finish:** Superior dual coat finish  
Sealed polyester topcoat  
Chemical-resistant epoxy primer
- Lens:** See table

**Photometric Information:**

- CRI:** 80
- CCT:** 5000K (cool white)  
4000K (neutral white)

All values typical unless otherwise stated (tolerance +/- 10%)

**WARNING - INSTALLATION & SECONDARY RETENTION.** Use of any Dialight products without proper installation (including secondary retention / netting) and periodic inspections could cause severe injury or death. Dialight recommends that all installations should use secondary retention / netting (appropriate to the installation environment) where applicable. It is the exclusive responsibility of the contractor, installer and/or end-user to: (a) determine the suitability of the product for its intended application; and, (b) ensure that the product is safely installed (with secondary retention / netting where appropriate) and in compliance with all applicable laws and regulations. To the extent permissible under applicable laws, Dialight disclaims all liability for personal injury and/or other damage resulting from any dislodgment or other dislocation of its products.

# SafeSite® LED High Bay - UL / CSA

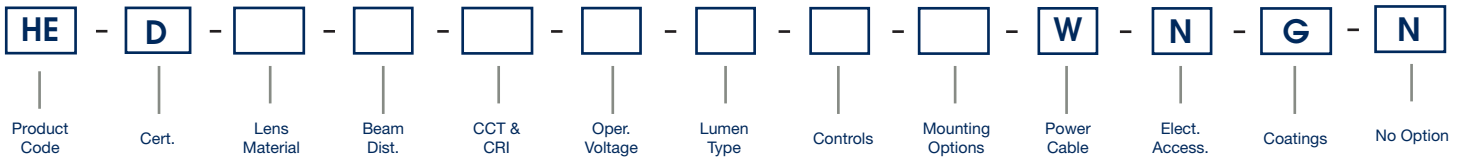
## Wiring Box Model & Passive Power Supply Models - 347 and 480 VAC



Project Information	
Part Number:	
Project:	
Fixture Type:	Date:

Specifications

### Ordering Information



#### Product Code

HE High Bay 3/4" NPT

#### Beam Distribution

- E Oval (Voltage A only)
- M Medium (required for Voltage P, Q)
- N Narrow (Voltage A only)
- W Wide (Voltage A only)

#### Lumen Type

- A 11,250 Lumens
- B 14,250 Lumens
- C 18,000 Lumens
- E 27,000 Lumens

#### Power Cable

- N No Cord (Voltage A only)
- W 10' (3 meter) Power Cable

#### Certification

D UL 844 CID2, CII, CIII Class I, Zone 2

#### CCT & CRI

- C Cool White 5000K - 80 CRI
- N Neutral White 4000K - 80 CRI

#### Controls

- D Dimming (Voltage A only)
- N No Dimming

#### Electrical Accessories

- N No Plug

#### Lens Material

- 4 Polycarbonate - Clear
- 7 Tempered Glass
- L Polycarbonate Dome - Diffused
- R Power Wash Tempered Glass

#### Operating Voltage

- A 347/480 VAC Step Down Transformer
- P 480 VAC
- Q 347 VAC

#### Mounting Options

- H Hook (Voltage A only)
- N Pendant 3/4" NPT
- P Pendant 3/4" NPT with Safety Retention Tabs
- R Safety Retention Tabs with Hook (Voltage A only)

#### Coatings

- G Gray (RAL 7040)

#### Option

- N No Option

#### Notes

- 1) Lumen type based on using a glass lens. See tables for lumens when changing lenses.
- 3) Passive must be (M) Medium beam distribution.

DISCLAIMER. All product information provided is, to the best of Dialight's knowledge, accurate as of the date of publication. When ordering, refer to [www.dialight.com](http://www.dialight.com) for current versions of: (a) relevant product documentation (including the relevant product data sheets); (b) Dialight terms and conditions of sale; and, (c) the relevant product warranty. To the extent that any contract is deemed formed between Dialight and the purchaser of Dialight products and/or an end-user, versions of documents available at [www.dialight.com](http://www.dialight.com) as at the date of sale shall be the versions incorporated therein. In the event of any discrepancy between this document or information provided at [www.dialight.com](http://www.dialight.com), the latter shall prevail.

## Ordering Information

### SafeSite® LED High Bay - Wiring Box Model



Wiring Box Model - 347-480 VAC

Part Number	Lumens	Wattage	lm/W	CCT	Lens	Beam Distribution	Controls Option	Hardware Options	Wiring
HED-7MCA-CDNW-NGN	19,500	158	123	CW	Tempered Glass	Medium	Dimming	Pendant 3/4" NPT	10' Power Cable
HED-7MCA-BDNW-NGN	14,250	131	109	CW	Tempered Glass	Medium	Dimming	Pendant 3/4" NPT	10' Power Cable
HED-4MCA-BDNW-NGN	13,000	122	107	CW	Polycarbonate - Clear	Medium	Dimming	Pendant 3/4" NPT	10' Power Cable
HED-4MCA-ADNW-NGN	10,000	101	99	CW	Polycarbonate - Clear	Medium	Dimming	Pendant 3/4" NPT	10' Power Cable

All values typical unless otherwise stated (tolerance +/- 10%).

See ordering chart for additional options.

## Ordering Information

### SafeSite® LED High Bay - Passive Power Supply Model



Passive Power Supply Model - 480 VAC

Part Number	Lumens	Wattage	lm/W	CCT	Lens	Beam Distribution	Controls Option	Hardware Options	Wiring
HED-7MCP-ENNW-NGN	27,000	206	131	CW	Tempered Glass	Medium	No controls	Pendant 3/4" NPT	10' Power Cable
HED-7MCP-CNNW-NGN	18,000	129	140	CW	Tempered Glass	Medium	No controls	Pendant 3/4" NPT	10' Power Cable
HED-7MCP-BNNW-NGN	14,250	116	123	CW	Tempered Glass	Medium	No controls	Pendant 3/4" NPT	10' Power Cable
HED-7MCP-ANNW-NGN	11,250	73	154	CW	Tempered Glass	Medium	No controls	Pendant 3/4" NPT	10' Power Cable

All values typical unless otherwise stated (tolerance +/- 10%).

See ordering chart for additional options.

**DISCLAIMER.** All product information provided is, to the best of Dialight's knowledge, accurate as of the date of publication. When ordering, refer to [www.dialight.com](http://www.dialight.com) for current versions of: (a) relevant product documentation (including the relevant product data sheets); (b) Dialight terms and conditions of sale; and, (c) the relevant product warranty. To the extent that any contract is deemed formed between Dialight and the purchaser of Dialight products and/or an end-user, versions of documents available at [www.dialight.com](http://www.dialight.com) as at the date of sale shall be the versions incorporated therein. In the event of any discrepancy between this document or information provided at [www.dialight.com](http://www.dialight.com), the latter shall prevail.

# SafeSite® LED Low Bay - UL / CSA

## Corded Model & Integrated Wiring Box Model - 100-277 VAC, Class I Div. 2

### Corded Model



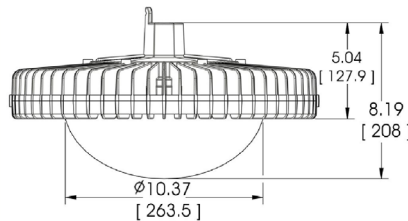
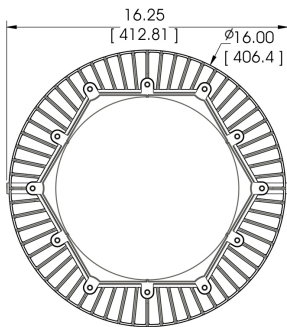
#### Mechanical Information:

**Fixture weight:**  
18 lb (8.2 kg)

**Shipping weight:**  
24 lb (10.9 kg)

**Mounting:**  
3/4" NPT - top  
Various Kits  
Secondary retention option available

**Power Cord:**  
10' 18 AWG ST00W



### Integrated Wiring Box Model



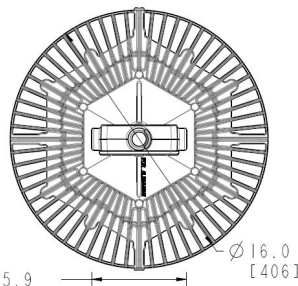
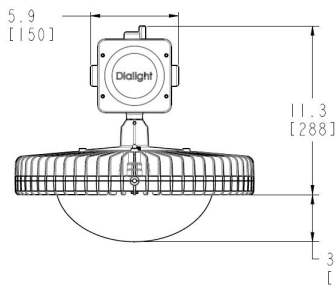
#### Mechanical Information:

**Fixture weight:**  
20 lb (9.1 kg)

**Shipping weight:**  
26 lb (11.8 kg)

**Mounting:**  
3/4" NPT or Hook  
Various Kits  
Secondary retention option available

**Wiring Box Cable Entries:**  
(3x) 3/4" NPT



Dimensions in inches [mm]

#### Certifications & Ratings:

UL 1598/A (wet locations) CSA C22.2 No. 250.0-08  
UL 8750 NEMA 4X  
IP66/67 (100-277 Models) L70 rated for >150,000 hours  
Class I, Div. 2, Groups A, B, C, D  
Class I, Zone 2, Group IIC  
Class II, Div. 1 Groups E, F, G (HE models only)  
Class II, Div. 2 Groups F, G  
Class III, Div. 1 & 2  
10 year warranty

#### Variable Dimming:

**Variable Dimming Control:** 0-10 VDC

**Dimming Range:** 10 VDC = 100% light output  
0 VDC = <5% light output

#### Electrical Specifications:

**Operating Voltage:** 100-277 VAC (120-250 VDC)

**Total system power consumption:** See table

**Operating Temp:** -40°F to +149°F (-40°C to +65°C)

**Harmonics:** IEC 61000-3-2

**Noise requirement /EMC:** FCC Title 47, Subpart B, Section 15, class A device. RF Immunity; 10V/m, 80MHz-1GHz

**Transient protection:** Protection devices capable of handling up to 10kv. Tested for 10kv/2 ohm combination wave, as per IEEE C62.41, line-line and line ground

**THD:** 6K-18k lm models: <20%  
4k lm models: <30%

**Power Factor:** >0.9

**Fusing:** Internal

#### Construction:

**Housing:** Copper free aluminum

**Finish:** Superior dual coat finish  
Sealed polyester topcoat  
Chemical-resistant epoxy primer

**Lens:** See table

#### Photometric Information:

**CRI:** 80

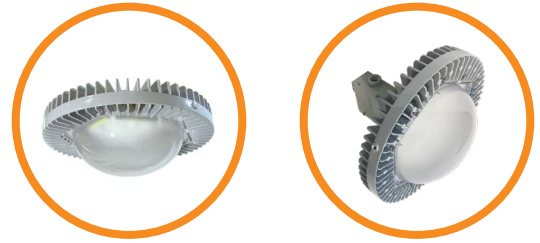
**CCT:** 5000K (cool white)  
4000K (neutral white)  
2700K (warm white)

All values typical unless otherwise stated (tolerance +/- 10%)

**WARNING - INSTALLATION & SECONDARY RETENTION.** Use of any Dialight products without proper installation (including secondary retention / netting) and periodic inspections could cause severe injury or death. Dialight recommends that all installations should use secondary retention / netting (appropriate to the installation environment) where applicable. It is the exclusive responsibility of the contractor, installer and/or end-user to: (a) determine the suitability of the product for its intended application; and, (b) ensure that the product is safely installed (with secondary retention / netting where appropriate) and in compliance with all applicable laws and regulations. To the extent permissible under applicable laws, Dialight disclaims all liability for personal injury and/or other damage resulting from any dislodgment or other dislocation of its products.

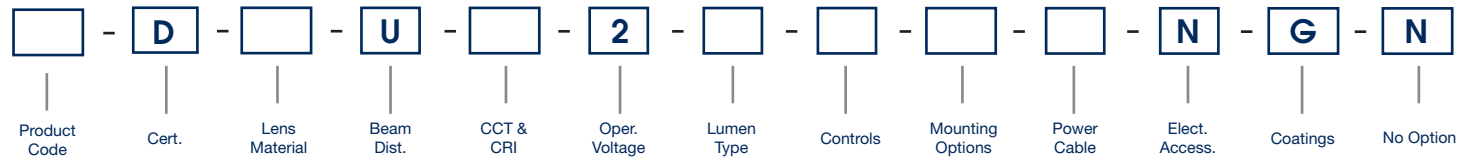
# SafeSite® LED Low Bay - UL / CSA

Corded & Integrated Wiring Box - 100-277 VAC  
Class I Div. 2



Project Information		Specifications	
Part Number:			
Project:			
Fixture Type:		Date:	

## Ordering Information



<p><b>Product Code</b></p> <p>LC Low Bay Integrated Wiring Box</p> <p>LE Low Bay</p>	<p><b>Beam Distribution</b></p> <p>U Ultra Wide</p>	<p><b>Lumen Type</b></p> <p>4 4,000 Lumens</p> <p>6 6,000 Lumens</p> <p>9 9,000 Lumens</p> <p>B 14,000 Lumens</p> <p>C 18,000 Lumens</p>	<p><b>Power Cable</b></p> <p>N No Cord (LC only)</p> <p>W 10' [3 meter] Power Cable</p>
<p><b>Certification</b></p> <p>D UL 844 CID2, CII, CIII Class I, Zone 2</p>	<p><b>CCT &amp; CRI</b></p> <p>C Cool White 5000K - 80 CRI</p> <p>N Neutral White 4000K - 80 CRI</p>	<p><b>Controls</b></p> <p>D Dimming (0-10V)</p> <p>N No Option</p>	<p><b>Electrical Accessories</b></p> <p>N No Plug</p>
<p><b>Lens Material</b></p> <p>4 Polycarbonate - Clear</p> <p>5 Polycarbonate - Diffused</p> <p>L Polycarbonate Dome - Diffused</p>	<p><b>Operating Voltage</b></p> <p>2 100-277 VAC / 120-250 VDC</p>	<p><b>Mounting Options</b></p> <p>H Hook (LC only)</p> <p>N Pendant 3/4" NPT</p> <p>P Pendant 3/4" NPT with Safety Retention Tabs</p> <p>R Safety Retention Tabs with Hook (LE only)</p>	<p><b>Coatings</b></p> <p>G Gray (RAL 7040)</p>
			<p><b>Option</b></p> <p>N No Option</p>

**DISCLAIMER.** All product information provided is, to the best of Dialight's knowledge, accurate as of the date of publication. When ordering, refer to [www.dialight.com](http://www.dialight.com) for current versions of: (a) relevant product documentation (including the relevant product data sheets); (b) Dialight terms and conditions of sale; and, (c) the relevant product warranty. To the extent that any contract is deemed formed between Dialight and the purchaser of Dialight products and/or an end-user, versions of documents available at [www.dialight.com](http://www.dialight.com) as at the date of sale shall be the versions incorporated therein. In the event of any discrepancy between this document or information provided at [www.dialight.com](http://www.dialight.com), the latter shall prevail.

# Ordering Information

## SafeSite® LED Low Bay - Corded Model, Class I, Div. 2



Corded Model - Class I, Div. 2 - 100-277 VAC

Part Number	Lumens	Wattage	lm/W	CCT	Lens	Beam Distribution	Controls Option	Hardware Options	Power Cable
LED-LUC2-CNNW-NGN	18,000	154	117	CW	Polycarbonate Dome - Diffused	Ultra Wide	No controls	Pendant 3/4" NPT	10' Power Cable
LED-LUC2-BNNW-NGN	14,000	114	123	CW	Polycarbonate Dome - Diffused	Ultra Wide	No controls	Pendant 3/4" NPT	10' Power Cable
LED-LUC2-9NNW-NGN	9,000	80	113	CW	Polycarbonate Dome - Diffused	Ultra Wide	No controls	Pendant 3/4" NPT	10' Power Cable
LED-LUC2-6NNW-NGN	6,000	56	107	CW	Polycarbonate Dome - Diffused	Ultra Wide	No controls	Pendant 3/4" NPT	10' Power Cable

All values typical unless otherwise stated (tolerance +/- 10%).

0-10V dimming option available for products in the above table. Replace the ninth character **N** with **D**. Ex: LEU-LUC2-9**N**NW-NGN becomes LEU-LUC2-9**D**NW-NGN. See ordering chart for additional options.

# SafeSite® LED High Bay

## Lumen Tables

High Bay 480V Passive Model							
Lumen Letter	480V Wattage	Lens Character	Material	Diffused	Lumens 5000K CCT	Lumens 4000K CCT	Lumens 2700K CCT
E	206	7	Tempered Glass	No	27,000	26,250	23,000
	206	4	Polycarbonate	No	26,000	25,250	21,500
	206	5	Polycarbonate	Yes	25,250	24,500	20,750
	206	L	Polycarbonate Dome	Yes	25,000	24,250	20,500
	206	8	Tempered Glass	Yes	23,750	23000	19,500
C	129	7	Tempered Glass	No	18,000	17,500	14,750
	129	4	Polycarbonate	No	17,250	16750	14,250
	129	5	Polycarbonate	Yes	17,000	16,500	14,000
	129	L	Polycarbonate Dome	Yes	16,750	16,250	13,750
	129	8	Tempered Glass	Yes	15,750	15,250	13,000
B	116	7	Tempered Glass	No	14,250	13,750	11,750
	116	4	Polycarbonate	No	13,750	13,250	11,000
	116	5	Polycarbonate	Yes	13,500	13,000	11,000
	116	L	Polycarbonate Dome	Yes	13,250	12,750	10,750
	116	8	Tempered Glass	Yes	12,500	12,250	10,500
A	73	7	Tempered Glass	No	11,250	11,000	9,500
	73	4	Polycarbonate	No	10,750	10,500	9,000
	73	5	Polycarbonate	Yes	10,500	10,250	8,750
	73	L	Polycarbonate Dome	Yes	10,250	9,950	8,500
	73	8	Tempered Glass	Yes	9,750	9,500	8,000

### Notes

1) For models using transformers, add 12W for 480V & 29W for 347V

SafeSite CID1 High Bay 100-277 VAC							
Lumen Letter	Wattage	Lens	Material	Diffused	Lumens 5000K CCT	Lumens 4000K CCT	Lumens 2700K CCT
E	186	7	Tempered Glass	No	23,500	22,750	20,000
	186	8	Tempered Glass	Yes	20,750	20,250	17,250
C	129	7	Tempered Glass	No	16,000	15,500	13,250
	129	8	Tempered Glass	Yes	14,000	13,500	11,500
B	102	7	Tempered Glass	No	12,500	12,250	10,500
	102	8	Tempered Glass	Yes	11,000	10,750	9,250
A	80	7	Tempered Glass	No	9,500	9,250	7,750

### Notes

1) For models using transformers, add 12W for 480V & 29W for 347V

**DISCLAIMER.** All product information provided is, to the best of Dialight's knowledge, accurate as of the date of publication. When ordering, refer to [www.dialight.com](http://www.dialight.com) for current versions of: (a) relevant product documentation (including the relevant product data sheets); (b) Dialight terms and conditions of sale; and, (c) the relevant product warranty. To the extent that any contract is deemed formed between Dialight and the purchaser of Dialight products and/or an end-user, versions of documents available at [www.dialight.com](http://www.dialight.com) as at the date of sale shall be the versions incorporated therein. In the event of any discrepancy between this document or information provided at [www.dialight.com](http://www.dialight.com), the latter shall prevail.

# SafeSite® LED High Bay

## Lumen Tables & Accessories

High Bay 347V Passive Model							
Lumen Letter	347V Wattage	Lens Character	Material	Diffused	Lumens 5000K CCT	Lumens 4000K CCT	Lumens 2700K CCT
E	206	7	Tempered Glass	No	27,000	26,250	23,000
	206	4	Polycarbonate	No	26,000	25,250	21,500
	206	5	Polycarbonate	Yes	25,250	24,500	20,750
	206	L	Polycarbonate Dome	Yes	25,000	24,250	20,500
	206	8	Tempered Glass	Yes	23,750	23000	19,500
C	136	7	Tempered Glass	No	18,000	17,500	14,750
	136	4	Polycarbonate	No	17,250	16750	14,250
	136	5	Polycarbonate	Yes	17,000	16,500	14,000
	136	L	Polycarbonate Dome	Yes	16,750	16,250	13,750
	136	8	Tempered Glass	Yes	15,750	15,250	13,000
B	100	7	Tempered Glass	No	14,250	13,750	11,750
	100	4	Polycarbonate	No	13,750	13,250	11,000
	100	5	Polycarbonate	Yes	13,500	13,000	11,000
	100	L	Polycarbonate Dome	Yes	13,250	12,750	10,750
	100	8	Tempered Glass	Yes	12,500	12,250	10,500
A	81	7	Tempered Glass	No	11,250	11,000	9,500
	81	4	Polycarbonate	No	10,750	10,500	9,000
	81	5	Polycarbonate	Yes	10,500	10,250	8,750
	81	L	Polycarbonate Dome	Yes	10,250	9,950	8,500
	81	8	Tempered Glass	Yes	9,750	9,500	8,000

**Notes**

1) For models using transformers, add 12W for 480V & 29W for 347V



**Classifications:**  
CID1 • CID2  
**HBXW1**  
• Wall mount  
**HBXC1**  
• Ceiling mount



**Classifications:** CID2  
**HBXW2**  
• Swivel bracket and cable gland



**HBXFLAG-Y**  
**HBXFLAG-O**  
• Yellow aluminum  
• Orange aluminum  
• Comes with 10 indicator flags



**Classifications:** CID2  
**HBXCG**  
• Cable gland



**Classifications:** CID2  
**HBX-DUAL-BRCKT**  
• Dual bracket



**HBXSB**  
• Stainless steel (4x)



**HBXCAB48**  
• 48" long stainless steel safety rope (for use with safety bracket)



**Classifications:**  
CID1 • CID2  
**HBXW3-SSL-316**  
• 316 stainless steel swivel bracket  
**HBXW3-SSL-304**  
• 304 stainless steel swivel bracket

**DISCLAIMER.** All product information provided is, to the best of Dialight's knowledge, accurate as of the date of publication. When ordering, refer to [www.dialight.com](http://www.dialight.com) for current versions of: (a) relevant product documentation (including the relevant product data sheets); (b) Dialight terms and conditions of sale; and, (c) the relevant product warranty. To the extent that any contract is deemed formed between Dialight and the purchaser of Dialight products and/or an end-user, versions of documents available at [www.dialight.com](http://www.dialight.com) as at the date of sale shall be the versions incorporated therein. In the event of any discrepancy between this document or information provided at [www.dialight.com](http://www.dialight.com), the latter shall prevail.

# SafeSite® LED Floodlight

## Technical Specifications



Standard Models



Slipfitter Models

### Ratings and Certifications

- 10 year warranty
- L70 rated for >100,000 hours
- CSA C22.2 No.137-M81
- UL 844
- UL 1598/A
- IP66/67
- CID2 A,B,C,D
- CID1 E,F,G
- CID2 F,G
- CII
- IK07 (tempered glass) / IK10 (polycarbonate)

\*All features not available on every model. Please refer to product part number pages for model specifics.

### Mechanical Information

<b>Fixture weight:</b>	30 lb (13.6 kg)
<b>Shipping weight:</b>	34 lb (15.4 kg)
<b>Mounting:</b>	304 stainless steel trunnion mount (standard), integrated slip-fit mount (optional, CID2 only) Secondary retention standard
<b>EPA (Sq. ft)</b>	1.66 sq. ft.
<b>Entry:</b>	(2) 3/4" NPT cable entries

### Specifications

<b>Voltage options:</b>	100-277 VAC 347/480 VAC	<b>Housing:</b>	Copper-free aluminum
<b>Operating temp:</b>	-40°F to +149°F (-40°C to +65°C)	<b>Lens:</b>	Tempered glass Polycarbonate
<b>Power factor:</b>	>0.9	<b>CRI:</b>	75
<b>THD:</b>	<20%	<b>CCT:</b>	5000K (cool white) 4000K (neutral white)
<b>Surge protection:</b>	IEC 61000-4-5 6kV line-to-line , 6kV line-to-ground		

### Comparison

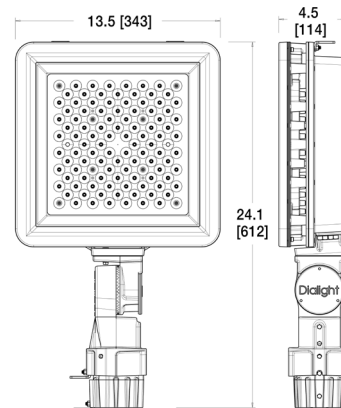
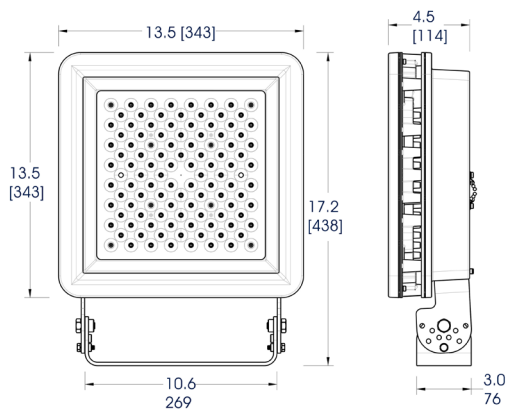
	Warranty	L70	T-Rating
Dialight LED Floodlight	10yr	>100,000	T5
Metal Halide	1	6,000	T2
High Pressure Sodium	1	20,000	T2A

### Temperature Ratings

Ambient Temperature Range T4A Temperature Code	Ambient Temperature Range T5 Temperature Code
15,000 - 13,500lm models	11,500 - 10,750lm models
-40°F to +149°F (-40°C to +65°C)	-40°F to +149°F (-40°C to +65°C)

Lumens	Wattage	lm/W	Mounting Heights
15,000	135	111	30'
14,750	135	109	↑ ↓
13,500	140	96	
11,500	106	108	
11,250	106	106	
11,000	106	104	
10,750	106	101	
10,500	106	99	15

### Dimensions



Dimensions in inches [mm]

**WARNING - INSTALLATION & SECONDARY RETENTION.** Use of any Dialight products without proper installation (including secondary retention / netting) and periodic inspections could cause severe injury or death. Dialight recommends that all installations should use secondary retention / netting (appropriate to the installation environment) where applicable. It is the exclusive responsibility of the contractor, installer and/or end-user to: (a) determine the suitability of the product for its intended application; and, (b) ensure that the product is safely installed (with secondary retention / netting where appropriate) and in compliance with all applicable laws and regulations. To the extent permissible under applicable laws, Dialight disclaims all liability for personal injury and/or other damage resulting from any dislodgment or other dislocation of its products.

# SafeSite® LED Floodlight

## Ordering Information - Trunnion Mount Models

Classifications: CID2 A, B, C, D • CIID1 E, F, G • CIID2 F, G • CIII

Legacy Part Number	New Part Number	CID2	CIID1	CIID2	CIII	Fixture Lumens	Wattage	lm/W	Voltage	Beam Distribution
<b>100-277 VAC Models - Tempered Glass Lens, 5000K</b>										
FLD466NC4NG	FLD76B2BNTNNGN	•	•	•	•	15,000	135	111	100-277 VAC	NEMA 6 (115°)
FLD476NC4NG	FLD77B2BNTNNGN	•	•	•	•	14,750	135	109	100-277 VAC	NEMA 7x6 (140° x 115°)
FLD467NC4NG	FLD78B2BNTNNGN	•	•	•	•	14,750	135	109	100-277 VAC	NEMA 6x7 (115° x 140°)
FLD455NC4NG	FLD75B2BNTNNGN	•	•	•	•	14,500	140	104	100-277 VAC	NEMA 5 (93°)
FLD444NC4NG	FLD74B2BNTNNGN	•	•	•	•	14,500	140	104	100-277 VAC	NEMA 4 (52°)
FLD422NC4NG	FLD72B2BNTNNGN	•	•	•	•	13,500	140	96	100-277 VAC	NEMA 2 (23°)
FLD276NC2NG	FLD77B2ANTNNGN	•	•	•	•	11,500	106	108	100-277 VAC	NEMA 7x6 (140° x 115°)
FLD267NC2NG	FLD78B2ANTNNGN	•	•	•	•	11,500	106	108	100-277 VAC	NEMA 6x7 (115° x 140°)
FLD266NC2NG	FLD76B2ANTNNGN	•	•	•	•	11,250	106	106	100-277 VAC	NEMA 6 (115°)
FLD255NC2NG	FLD75B2ANTNNGN	•	•	•	•	11,000	106	104	100-277 VAC	NEMA 5 (93°)
FLD244NC2NG	FLD74B2ANTNNGN	•	•	•	•	10,500	106	99	100-277 VAC	NEMA 4 (52°)
FLD222NC2NG	FLD72B2ANTNNGN	•	•	•	•	10,750	106	101	100-277 VAC	NEMA 2 (23°)
<b>100-277 VAC Models - Polycarbonate Lens, 5000K</b>										
FLD466NC4NP	FLD46B2BNTNNGN	•				14,000	135	104	100-277 VAC	NEMA 6 (115°)
FLD476NC4NP	FLD47B2BNTNNGN	•				13,750	135	102	100-277 VAC	NEMA 7x6 (140° x 115°)
FLD467NC4NP	FLD48B2BNTNNGN	•				13,750	135	102	100-277 VAC	NEMA 6x7 (115° x 140°)
FLD455NC4NP	FLD45B2BNTNNGN	•				13,500	140	96	100-277 VAC	NEMA 5 (93°)
FLD444NC4NP	FLD44B2BNTNNGN	•				13,500	140	96	100-277 VAC	NEMA 4 (52°)
FLD422NC4NP	FLD42B2BNTNNGN	•				12,500	140	89	100-277 VAC	NEMA 2 (23°)
FLD276NC2NP	FLD47B2ANTNNGN	•				10,500	106	99	100-277 VAC	NEMA 7x6 (140° x 115°)
FLD267NC2NP	FLD48B2ANTNNGN	•				10,500	106	99	100-277 VAC	NEMA 6x7 (115° x 140°)
FLD266NC2NP	FLD46B2ANTNNGN	•				10,250	106	97	100-277 VAC	NEMA 6 (115°)
FLD255NC2NP	FLD45B2ANTNNGN	•				10,000	106	94	100-277 VAC	NEMA 5 (93°)
FLD244NC2NP	FLD44B2ANTNNGN	•				9,500	106	90	100-277 VAC	NEMA 4 (52°)
FLD222NC2NP	FLD42B2ANTNNGN	•				9,750	106	92	100-277 VAC	NEMA 2 (23°)
<b>347/480 VAC Models - Tempered Glass Lens Only, 5000K</b>										
FLD466NC5NG	FLD76B5BNTNNGN	•	•	•	•	15,000	135	111	347/480 VAC	NEMA 6 (115°)
FLD476NC5NG	FLD77B5BNTNNGN	•	•	•	•	14,750	135	109	347/480 VAC	NEMA 7x6 (140° x 115°)
FLD467NC5NG	FLD78B5BNTNNGN	•	•	•	•	14,750	135	109	347/480 VAC	NEMA 6x7 (115° x 140°)
FLD455NC5NG	FLD75B5BNTNNGN	•	•	•	•	14,500	140	104	347/480 VAC	NEMA 5 (93°)
FLD444NC5NG	FLD74B5BNTNNGN	•	•	•	•	14,500	140	104	347/480 VAC	NEMA 4 (52°)
FLD422NC5NG	FLD72B5BNTNNGN	•	•	•	•	13,500	140	96	347/480 VAC	NEMA 2 (23°)
FLD276NC5NG	FLD77B5ANTNNGN	•	•	•	•	11,750	112	105	347/480 VAC	NEMA 7x6 (140° x 115°)
FLD267NC5NG	FLD78B5ANTNNGN	•	•	•	•	11,750	112	105	347/480 VAC	NEMA 6x7 (115° x 140°)
FLD266NC5NG	FLD76B5ANTNNGN	•	•	•	•	11,250	112	100	347/480 VAC	NEMA 6 (115°)
FLD255NC5NG	FLD75B5ANTNNGN	•	•	•	•	10,000	112	89	347/480 VAC	NEMA 5 (93°)
FLD244NC5NG	FLD74B5ANTNNGN	•	•	•	•	10,000	112	89	347/480 VAC	NEMA 4 (52°)
FLD222NC5NG	FLD72B5ANTNNGN	•	•	•	•	10,000	112	89	347/480 VAC	NEMA 2 (23°)

All values typical unless otherwise stated (tolerance +/- 10%).

Part numbers listed in the table above are cool white. For neutral white models, replace the 8th character (legacy) or 5th character (platform) with an **N**. For bronze powder coat, replace the 10th character (legacy) or 13th character (platform) with a **Z**.

**DISCLAIMER.** All product information provided is, to the best of Dialight's knowledge, accurate as of the date of publication. When ordering, refer to [www.dialight.com](http://www.dialight.com) for current versions of: (a) relevant product documentation (including the relevant product data sheets); (b) Dialight terms and conditions of sale; and, (c) the relevant product warranty. To the extent that any contract is deemed formed between Dialight and the purchaser of Dialight products and/or an end-user, versions of documents available at [www.dialight.com](http://www.dialight.com) as at the date of sale shall be the versions incorporated therein. In the event of any discrepancy between this document or information provided at [www.dialight.com](http://www.dialight.com), the latter shall prevail.

# SafeSite® LED Floodlight

## Ordering Information - Integrated Slip-Fit Models

Classifications: CID2 A, B, C, D

Legacy Part Number	New Part Number	CID2	CIID1	CIID2	CIID3	Fixture Lumens	Wattage	lm/W	Voltage	Beam Distribution
<b>100-277 VAC Models - Tempered Glass Lens, 5000K</b>										
FLD466SC4NG	FLD76B2BNSNNGN	•				15,000	135	111	100-277 VAC	NEMA 6 (115°)
FLD476SC4NG	FLD77B2BNSNNGN	•				14,750	135	109	100-277 VAC	NEMA 7x6 (140° x 115°)
FLD467SC4NG	FLD78B2BNSNNGN	•				14,750	135	109	100-277 VAC	NEMA 6x7 (115° x 140°)
FLD455SC4NG	FLD75B2BNSNNGN	•				14,500	140	104	100-277 VAC	NEMA 5 (93°)
FLD444SC4NG	FLD74B2BNSNNGN	•				14,500	140	104	100-277 VAC	NEMA 4 (52°)
FLD422SC4NG	FLD72B2BNSNNGN	•				13,500	140	96	100-277 VAC	NEMA 2 (23°)
FLD276SC2NG	FLD77B2ANSNNGN	•				11,500	106	108	100-277 VAC	NEMA 7x6 (140° x 115°)
FLD267SC2NG	FLD78B2ANSNNGN	•				11,500	106	108	100-277 VAC	NEMA 6x7 (115° x 140°)
FLD266SC2NG	FLD76B2ANSNNGN	•				11,250	106	106	100-277 VAC	NEMA 6 (115°)
FLD255SC2NG	FLD75B2ANSNNGN	•				11,000	106	104	100-277 VAC	NEMA 5 (93°)
FLD244SC2NG	FLD74B2ANSNNGN	•				10,500	106	99	100-277 VAC	NEMA 4 (52°)
FLD222SC2NG	FLD72B2ANSNNGN	•				10,750	106	101	100-277 VAC	NEMA 2 (23°)
<b>100-277 VAC Models - Polycarbonate Lens, 5000K</b>										
FLD466SC4NP	FLD46B2BNSNNGN	•				14,000	135	104	100-277 VAC	NEMA 6 (115°)
FLD476SC4NP	FLD47B2BNSNNGN	•				13,750	135	102	100-277 VAC	NEMA 7x6 (140° x 115°)
FLD467SC4NP	FLD48B2BNSNNGN	•				13,750	135	102	100-277 VAC	NEMA 6x7 (115° x 140°)
FLD455SC4NP	FLD45B2BNSNNGN	•				13,500	140	96	100-277 VAC	NEMA 5 (93°)
FLD444SC4NP	FLD44B2BNSNNGN	•				13,500	140	96	100-277 VAC	NEMA 4 (52°)
FLD422SC4NP	FLD42B2BNSNNGN	•				12,500	140	89	100-277 VAC	NEMA 2 (23°)
FLD276SC2NP	FLD47B2ANSNNGN	•				10,500	106	99	100-277 VAC	NEMA 7x6 (140° x 115°)
FLD267SC2NP	FLD48B2ANSNNGN	•				10,500	106	99	100-277 VAC	NEMA 6x7 (115° x 140°)
FLD266SC2NP	FLD46B2ANSNNGN	•				10,250	106	97	100-277 VAC	NEMA 6 (115°)
FLD255SC2NP	FLD45B2ANSNNGN	•				10,000	106	94	100-277 VAC	NEMA 5 (93°)
FLD244SC2NP	FLD44B2ANSNNGN	•				9,500	106	90	100-277 VAC	NEMA 4 (52°)
FLD222SC2NP	FLD42B2ANSNNGN	•				9,750	106	92	100-277 VAC	NEMA 2 (23°)
<b>347/480 VAC Models - Tempered Glass Lens Only, 5000K</b>										
FLD466SC5NG	FLD76B5BNSNNGN	•				15,000	135	111	347/480 VAC	NEMA 6 (115°)
FLD476SC5NG	FLD77B5BNSNNGN	•				14,750	135	109	347/480 VAC	NEMA 7x6 (140° x 115°)
FLD467SC5NG	FLD78B5BNSNNGN	•				14,750	135	109	347/480 VAC	NEMA 6x7 (115° x 140°)
FLD455SC5NG	FLD75B5BNSNNGN	•				14,500	140	104	347/480 VAC	NEMA 5 (93°)
FLD444SC5NG	FLD74B5BNSNNGN	•				14,500	140	104	347/480 VAC	NEMA 4 (52°)
FLD422SC5NG	FLD72B5BNSNNGN	•				13,500	140	96	347/480 VAC	NEMA 2 (23°)
FLD276SC5NG	FLD77B5ANSNNGN	•				11,750	112	105	347/480 VAC	NEMA 7x6 (140° x 115°)
FLD267SC5NG	FLD78B5ANSNNGN	•				11,750	112	105	347/480 VAC	NEMA 6x7 (115° x 140°)
FLD266SC5NG	FLD76B5ANSNNGN	•				11,250	112	100	347/480 VAC	NEMA 6 (115°)
FLD255SC5NG	FLD75B5ANSNNGN	•				10,000	112	89	347/480 VAC	NEMA 5 (93°)
FLD244SC5NG	FLD74B5ANSNNGN	•				10,000	112	89	347/480 VAC	NEMA 4 (52°)
FLD222SC5NG	FLD72B5ANSNNGN	•				10,000	112	89	347/480 VAC	NEMA 2 (23°)

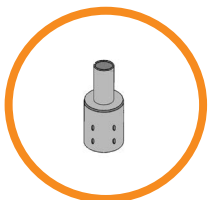
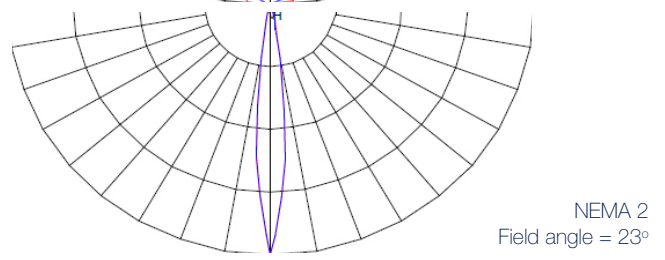
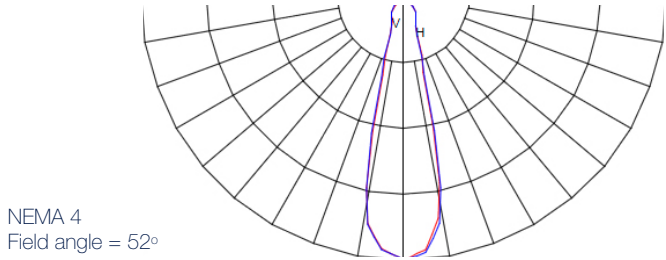
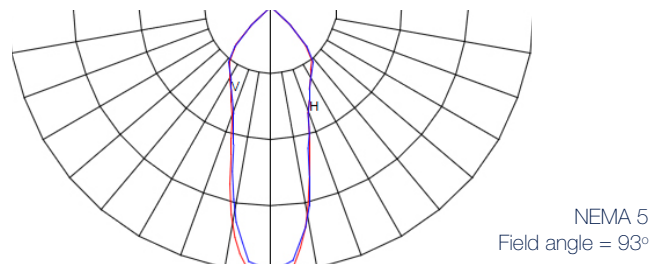
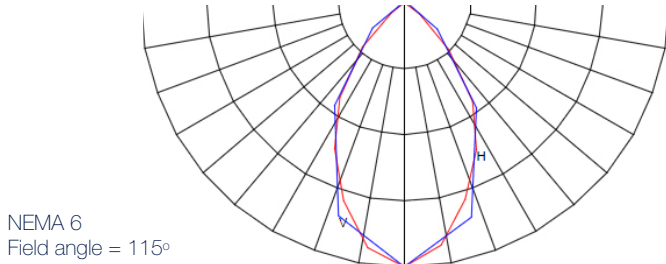
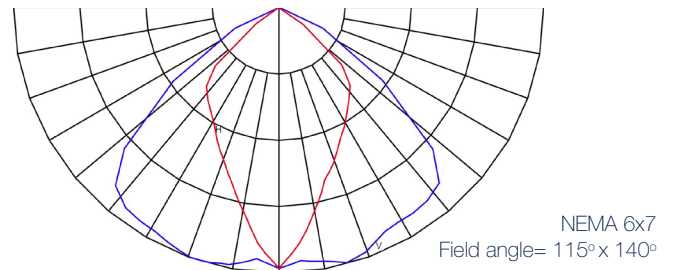
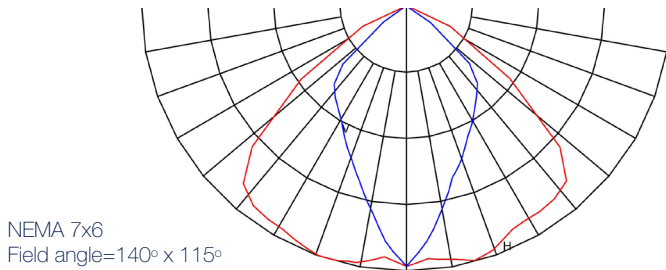
All values typical unless otherwise stated (tolerance +/- 10%).

Part numbers listed in the table above are cool white. For neutral white models, replace the 8th character (legacy) or 5th character (platform) with an **N**. For bronze powder coat, replace the 10th character (legacy) or 13th character (platform) with a **Z**.

**DISCLAIMER.** All product information provided is, to the best of Dialight's knowledge, accurate as of the date of publication. When ordering, refer to [www.dialight.com](http://www.dialight.com) for current versions of: (a) relevant product documentation (including the relevant product data sheets); (b) Dialight terms and conditions of sale; and, (c) the relevant product warranty. To the extent that any contract is deemed formed between Dialight and the purchaser of Dialight products and/or an end-user, versions of documents available at [www.dialight.com](http://www.dialight.com) as at the date of sale shall be the versions incorporated therein. In the event of any discrepancy between this document or information provided at [www.dialight.com](http://www.dialight.com), the latter shall prevail.

# SafeSite® LED Floodlight

## Beam Distribution & Accessories



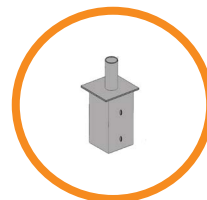
**FLX-3RPA-20DB**

- Reducer for 3" OD round pole top to 2-3/8" light mount



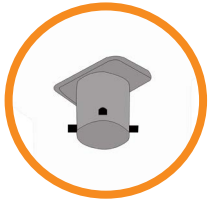
**HZXCBL2**

- Stainless steel safety cable kit



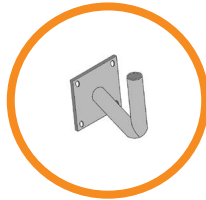
**FLX-4SPA-20DB**

- Internal tenon adapter for 4" square pole top to 2-3/8" light mount



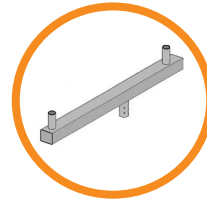
**FLX-4RPA-20DB**

- Reducer for 4" OD round pole top to 2-3/8" light mount



**FLX-5SPA-20DB**

- Tenon pole topper, 2-3/8" mount



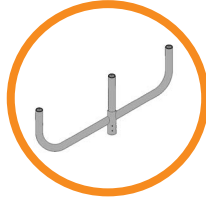
**FLX-6SPA-20DB**

- 5" square pole top to 2-3/8" light mount



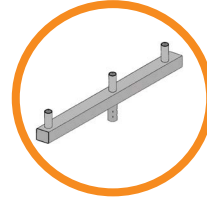
**FLX-2RPA-20DB**

- Tenon pole topper, 2-3/8" mount



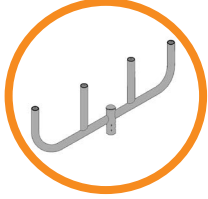
**FLX-1RAB-20DB**

- Tenon pole topper, 2-3/8" mount



**FLX-2RSR-20DB**

- Round square round bracket for 2 lights, 2-3/8" mount, 21" spacing



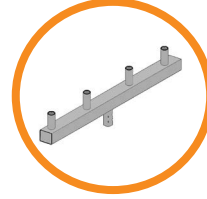
**FLX-3LBH-20DB**

- Bull horn for 3 lights, 2-3/8" mount, 21" spacing



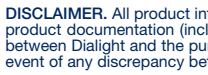
**FLX-3RSR-20DB**

- Round square round bracket for 3 lights, 2-3/8" mount, 21" spacing



**FLX-4RSR-20DB**

- Round square round bracket for 4 lights, 2-3/8" mount, 21" spacing



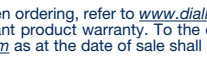
**FLX-4LBH-20DB**

- Bull horn for 4 lights, 2-3/8" mount, 21" spacing



**FLX-4RBH-20DB**

- Bull horn for 4 lights in star configuration, 2-3/8" mount, 21" spacing



**FLX-4RSR-20DB**

- Round square round bracket for 4 lights, 2-3/8" mount, 21" spacing

**DISCLAIMER.** All product information provided is, to the best of Dialight's knowledge, accurate as of the date of publication. When ordering, refer to [www.dialight.com](http://www.dialight.com) for current versions of: (a) relevant product documentation (including the relevant product data sheets); (b) Dialight terms and conditions of sale; and, (c) the relevant product warranty. To the extent that any contract is deemed formed between Dialight and the purchaser of Dialight products and/or an end-user, versions of documents available at [www.dialight.com](http://www.dialight.com) as at the date of sale shall be the versions incorporated therein. In the event of any discrepancy between this document or information provided at [www.dialight.com](http://www.dialight.com), the latter shall prevail.

# SafeSite® LED Area Light

## 100-277 VAC, 120-250 VDC

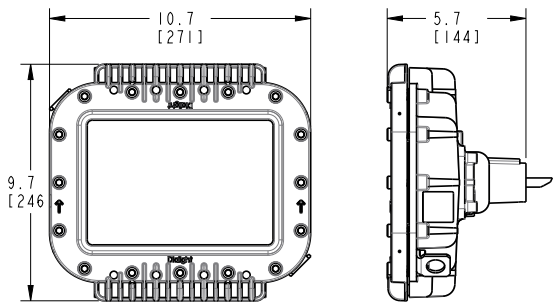


### Certifications & Ratings\*

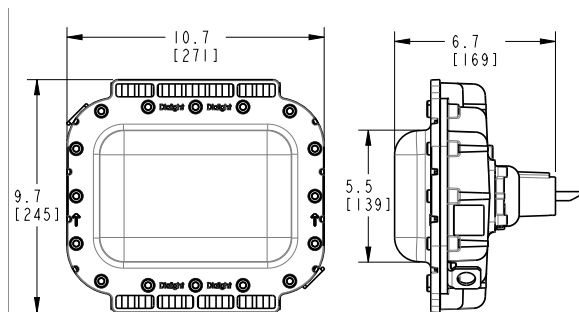
- 10 year warranty
- UL 844, UL 1598/A
- Class I, Div. 2, Groups A, B, C, D
- Class II, Div. 1, Groups E, F, G
- Class II, Div. 2 Groups F, G
- Class III, Div. 1 & 2
- Class I, Zone 2, Group IIC
- CSA C22.2 No. 250
- CSA C22.2 No. 137-M81
- IP66 / 67 / 69
- NEMA 4X
- Factory sealed
- L70 > 150,000 hours @ 65°C

\*ETL listed

### Tempered Glass Lens



### Polycarbonate Lens



Dimensions in inches [mm]

### Mechanical Information:

**Fixture weight:** 10 lb (4.5 kg) - Polycarbonate lens  
12 lb (5.5 kg) - Tempered glass lens  
**with stainless steel bracket:** 13 lb (5.9 kg) - Polycarbonate lens  
15 lb (6.8 kg) - Tempered glass lens

**Shipping weight:** Add 2 lb (0.91 kg) to weights above

**Impact rating:** IK10 - Polycarbonate lens  
IK07 - Tempered glass lens

**Cabling:** 10' ST00W/S00W 1.02mm 18 AWG

**Mounting:** Secondary retention standard

### Electrical Specifications:

**Operating voltage:** 100-277 VAC 50/60Hz, 120-250 VDC

**Total system power consumption:** See table

**Operating temperature:** -40°F to +149°F (-40°C to +65°C)

**EMC:** FCC Title 47, Subpart B, Section 15, Class A device  
CISPR-15  
RF Immunity 20V/m 80MHz-1GHz.

**Transient protection:** 6 kV, 2 Ohm line-line and line-ground

**Harmonics:** IEC 61000-3-2, Class C

**THD:** < 20%

**Power factor:** > 0.9

### Construction:

**Housing:** Copper-free aluminum

**Finish:** Superior dual coat finish  
- Sealed polyester topcoat

**Lens:** Hard-coated polycarbonate  
Tempered glass

### Photometric Information:

**CRI:** 80

**CCT:** 5000K (cool white)  
4000K (neutral white)

**Optics:** 360°  
180° forward throw for 45° mounting  
Wide for 0° mounting

All values typical unless otherwise stated (tolerance +/- 10%)

### Temperature Ratings

Ambient Temperature Range T4A

Ambient Temperature Range T5

-40°F to +149°F (-40°C to +65°C)

-40°F to +113°F (-40°C to +45°C)

**WARNING - INSTALLATION & SECONDARY RETENTION.** Use of any Dialight products without proper installation (including secondary retention / netting) and periodic inspections could cause severe injury or death. Dialight recommends that all installations should use secondary retention / netting (appropriate to the installation environment) where applicable. It is the exclusive responsibility of the contractor, installer and/or end-user to: (a) determine the suitability of the product for its intended application; and, (b) ensure that the product is safely installed (with secondary retention / netting where appropriate) and in compliance with all applicable laws and regulations. To the extent permissible under applicable laws, Dialight disclaims all liability for personal injury and/or other damage resulting from any dislodgment or other dislocation of its products.

# SafeSite® LED Area Light

100-277 VAC, 120-250 VDC with Mounting Adapters

## Universal Mounting Adapter



For use with HZXW01, HZXW45 or HZXS45 brackets sold separately



HZXW01



HZXS45



HZXW45

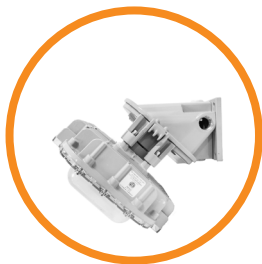
## Wall Mount



## 45° Stanchion Mount



## 45° Wall Mount



### Certifications & Ratings\*

- 10 year warranty
- UL 844, UL 1598/A
- Class I, Div. 2, Groups A, B, C, D
- Class II, Div. 1, Groups E, F, G
- Class II, Div. 2 Groups F, G
- Class III, Div. 1 & 2
- Class I, Zone 2, Group IIC
- CSA C22.2 No. 250
- CSA C22.2 No. 137-M81
- IP66 / 67 / 69
- NEMA 4X
- Factory sealed
- L70 > 150,000 hours @ 65°C

\*ETL listed

**WARNING - INSTALLATION & SECONDARY RETENTION.** Use of any Dialight products without proper installation (including secondary retention / netting) and periodic inspections could cause severe injury or death. Dialight recommends that all installations should use secondary retention / netting (appropriate to the installation environment) where applicable. It is the exclusive responsibility of the contractor, installer and/or end-user to: (a) determine the suitability of the product for its intended application; and, (b) ensure that the product is safely installed (with secondary retention / netting where appropriate) and in compliance with all applicable laws and regulations. To the extent permissible under applicable laws, Dialight disclaims all liability for personal injury and/or other damage resulting from any dislodgment or other dislocation of its products.

### Mechanical Information:

<b>Fixture weight:</b>	
UMA models:	12 lb (5.5 kg) - Polycarbonate lens 15 lb (6.8 kg) - Tempered glass lens
Wall mount models:	15 lb (6.8 kg) - Polycarbonate lens 18 lb (8.2 kg) - Tempered glass lens
45° wall mount models:	14 lb (6.4 kg) - Polycarbonate lens 17 lb (7.7 kg) - Tempered glass lens
45° stanchion mount:	15 lb (6.8 kg) - Polycarbonate lens 18 lb (8.2 kg) - Tempered glass lens
<b>Shipping weight:</b>	Add 2 lb (0.91 kg) to weights above
<b>Cabling:</b>	14" leads 1.02 mm 18 AWG
<b>Mounting:</b>	Secondary retention standard
<b>Impact rating:</b>	IK10 - Polycarbonate lens IK07 - Tempered glass lens

### Electrical Specifications:

<b>Operating voltage:</b>	100-277 VAC 50/60Hz, 120-250 VDC
<b>Operating temperature:</b>	-40°F to +149°F (-40°C to +65°C)
<b>EMC:</b>	FCC Title 47, Subpart B, Section 15, Class A device CISPR-15 RF Immunity 20V/m 80MHz-1GHz.
<b>Transient protection:</b>	6 kV, 2 Ohm line-line and line-ground
<b>Harmonics:</b>	IEC 61000-3-2, Class C
<b>THD:</b>	< 20%
<b>Power factor:</b>	> 0.9

### Construction:

<b>Housing:</b>	Copper-free aluminum
<b>Finish:</b>	Superior dual coat finish - Sealed polyester topcoat
<b>Lens:</b>	Hard-coated polycarbonate Tempered glass

### Photometric Information:

<b>CRI:</b>	80
<b>CCT:</b>	5000K (cool white) 4000K (neutral white)
<b>Optics:</b>	360° 180° forward throw for 45° mounting Wide for 0° mounting

All values typical unless otherwise stated (tolerance +/- 10%)

### Temperature Ratings

Ambient Temperature Range T4A	Ambient Temperature Range T5
-40°F to +149°F (-40°C to +65°C)	-40°F to +113°F (-40°C to +45°C)

# SafeSite® LED Area Light

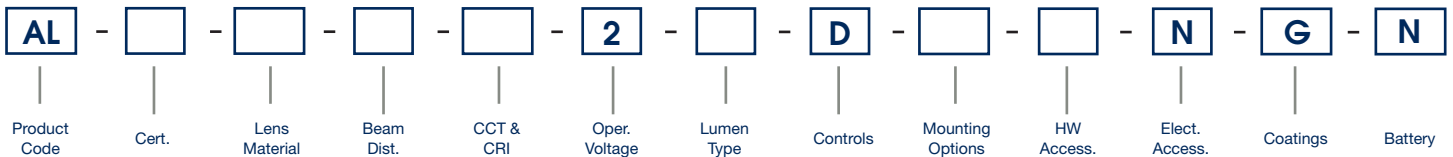
100-277 VAC, 120-250 VDC



Project Information		
Part Number:		
Project:		
Fixture Type:		Date:

Specifications

## Ordering Information



<p><b>Product Code</b></p> <p>AL Area Light</p> <hr/> <p><b>Certification</b></p> <p>D UL 844 Class I Div. 2, Class I, Zone 2, Group IIC, CSA C22.2 No. 137- M81</p> <p>F UL 844 Class II Div. 1, 2 Class I Div. 2, Class III, Div. 1, 2 CSA C22.2 No. 137- M81</p> <hr/> <p><b>Lens Material</b></p> <p>5 Polycarbonate - Diffused</p> <p>7 Tempered Glass</p> <hr/> <p><b>Beam Distribution</b></p> <p>A 180°</p> <p>B 360°</p> <p>W Wide</p>	<p><b>CCT &amp; CRI</b></p> <p>C Cool White 5000K - 80 CRI</p> <p>N Neutral White 4000K - 80 CRI</p> <hr/> <p><b>Operating Voltage</b></p> <p>2 100-277 VAC, 120-250 VDC</p> <hr/> <p><b>Lumen Type</b></p> <p>3 3,001 - 4,000 Lumens</p> <p>4 4,001 - 5,000 Lumens</p> <p>6 5,001 - 6,000 Lumens</p> <p>7 6,001 - 7,000 Lumens</p> <p>9 8,001 - 9,000 Lumens</p> <hr/> <p><b>Controls</b></p> <p>D Dimming (0-10V)</p>	<p><b>Mounting Options</b></p> <p> Retro-fit Adapter</p> <p> Universal Mounting Adapter (UMA)</p> <hr/> <p>A Appleton Mercmaster III</p> <p>B Swivel Bracket, Locking 0°- 90° 316 Stainless Steel</p> <p>C Crouse-Hinds - Champ</p> <p>G GE Filtr-Gard</p> <p>H Thomas &amp; Betts Hazlux</p> <p>K Killark Certilite &amp; Certilite V</p> <p>M Appleton Mercmaster II</p> <p>N 3/4" NPT</p> <p>S 45° Stanchion Mount</p> <p>U UMA - Mounting Hub</p> <p>V 0° Wall Mount</p> <p>W 45° Wall Mount</p>	<p><b>Hardware Accessories</b></p> <p>N For Mounting Options - A, C, G, H, K, M, S, U, V, W, Y (individual wire leads are terminated in adapter housing)</p> <p>W 10 ft (3 meter) Power Cable for Mounting Options - B, N</p> <hr/> <p><b>Electrical Accessories</b></p> <p>N No Option</p> <hr/> <p><b>Coatings</b></p> <p>G Gray (RAL 7040)</p> <hr/> <p><b>Battery</b></p> <p>N No Option</p>
---	---	--	--

Notes
1) When ordering Beam Distribution W - Wide: Lumen Type = 7.
2) When ordering Mounting Options "UMA" or "Retro-fit": Hardware Accessories = N.
3) When ordering Mounting Option U - UMA Mounting Hub HZXW01, HZXW45, HZXS45 or HZXC34 is required. See page 37 for details.
4) For lumen output see page 10.

**DISCLAIMER.** All product information provided is, to the best of Dialight's knowledge, accurate as of the date of publication. When ordering, refer to [www.dialight.com](http://www.dialight.com) for current versions of: (a) relevant product documentation (including the relevant product data sheets); (b) Dialight terms and conditions of sale; and, (c) the relevant product warranty. To the extent that any contract is deemed formed between Dialight and the purchaser of Dialight products and/or an end-user, versions of documents available at [www.dialight.com](http://www.dialight.com) as at the date of sale shall be the versions incorporated therein. In the event of any discrepancy between this document or information provided at [www.dialight.com](http://www.dialight.com), the latter shall prevail.

# Ordering Information

SafeSite® LED Area Light - 100-277 VAC,  
120-250 VDC



100-277 VAC, 120-250 VDC Model									
Part Number	Lumens	Wattage	lm/W	CCT	CRI	Lens	Beam Distribution	Controls Option	Mounting
ALD-7BC2-9DNW-NGN	9,000	66	136	CW	80	Tempered Glass	360°	Dimming	3/4" Conduit
ALD-5BC2-9DNW-NGN	8,300	66	126	CW	80	Polycarbonate Diffused	360°	Dimming	3/4" Conduit
ALD-7BC2-7DNW-NGN	7,300	52	140	CW	80	Tempered Glass	360°	Dimming	3/4" Conduit
ALF-7BC2-7DNW-NGN	7,300	52	140	CW	80	Tempered Glass	360°	Dimming	3/4" Conduit
ALD-7BC2-7DBW-NGN	7,300	52	140	CW	80	Tempered Glass	360°	Dimming	Stainless Steel Bracket
ALF-5BC2-7DNW-NGN	6,700	52	129	CW	80	Polycarbonate Diffused	360°	Dimming	3/4" Conduit
ALD-5BC2-7DNW-NGN	6,700	52	129	CW	80	Polycarbonate Diffused	360°	Dimming	3/4" Conduit
ALD-7BC2-6DNW-NGN	5,700	40	143	CW	80	Tempered Glass	360°	Dimming	3/4" Conduit
ALF-5BC2-6DNW-NGN	5,300	40	133	CW	80	Polycarbonate Diffused	360°	Dimming	3/4" Conduit
ALD-5BC2-6DNW-NGN	5,300	40	133	CW	80	Polycarbonate Diffused	Wide	Dimming	3/4" Conduit
ALD-5AC2-6DNW-NGN	5,100	40	128	CW	80	Polycarbonate Diffused	180°	Dimming	3/4" Conduit
ALD-7BC2-4DNW-NGN	4,200	30	140	CW	80	Tempered Glass	360°	Dimming	3/4" Conduit
ALF-5BC2-4DNW-NGN	3,900	30	130	CW	80	Polycarbonate Diffused	360°	Dimming	3/4" Conduit
ALD-5BC2-4DNW-NGN	3,900	30	130	CW	80	Polycarbonate Diffused	360°	Dimming	3/4" Conduit

100-277 VAC, 120-250 VDC Model with Mounting Adapters									
Part Number	Lumens	Wattage	lm/W	CCT	CRI	Lens	Beam Distribution	Controls Option	Mounting
ALD-7BC2-9DUN-NGN	9,000	66	136	CW	80	Tempered Glass	360°	Dimming	Universal Mounting Adapter
ALD-5BC2-9DUN-NGN	8,300	66	126	CW	80	Polycarbonate Diffused	360°	Dimming	Universal Mounting Adapter
ALD-7BC2-7DSN-NGN	7,300	52	140	CW	80	Tempered Glass	360°	Dimming	Stanchion 45°
ALD-7BC2-7DVN-NGN	7,300	52	140	CW	80	Tempered Glass	360°	Dimming	Wall Mount 0°
ALD-7BC2-7DWN-NGN	7,300	52	140	CW	80	Tempered Glass	360°	Dimming	Wall Mount 45°
ALF-5BC2-7DSN-NGN	6,700	52	129	CW	80	Polycarbonate Diffused	360°	Dimming	Stanchion 45°
ALF-5BC2-7DWN-NGN	6,700	52	129	CW	80	Polycarbonate Diffused	360°	Dimming	Wall Mount 45°
ALD-7BC2-6DSN-NGN	5,700	40	143	CW	80	Tempered Glass	360°	Dimming	Stanchion 45°
ALD-7BC2-6DUN-NGN	5,700	40	143	CW	80	Tempered Glass	360°	Dimming	Universal Mounting Adapter
ALD-7BC2-6DWN-NGN	5,700	40	143	CW	80	Tempered Glass	360°	Dimming	Wall Mount 45°
ALD-7AC2-6DSN-NGN	5,500	40	138	CW	80	Tempered Glass	180°	Dimming	Stanchion 45°
ALD-7AC2-6DVN-NGN	5,500	40	138	CW	80	Tempered Glass	180°	Dimming	Wall Mount 0°
ALD-5BC2-6DSN-NGN	5,300	40	133	CW	80	Polycarbonate Diffused	360°	Dimming	Stanchion 45°
ALD-5BC2-6DUN-NGN	5,300	40	133	CW	80	Polycarbonate Diffused	360°	Dimming	Universal Mounting Adapter
ALD-5BC2-6DVN-NGN	5,300	40	133	CW	80	Polycarbonate Diffused	360°	Dimming	Wall Mount 0°
ALD-7BC2-4DVN-NGN	4,200	30	140	CW	80	Tempered Glass	360°	Dimming	Wall Mount 0°
ALD-7BC2-4DWN-NGN	4,200	30	140	CW	80	Tempered Glass	360°	Dimming	Wall Mount 45°
ALD-7AC2-4DSN-NGN	4,100	30	137	CW	80	Tempered Glass	180°	Dimming	Stanchion 45°
ALD-7AC2-4DVN-NGN	4,100	30	137	CW	80	Tempered Glass	180°	Dimming	Wall Mount 0°

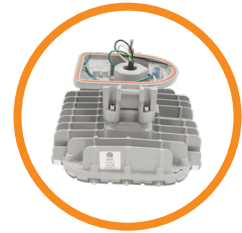
All values typical unless otherwise stated (tolerance +/- 10%).

See ordering chart for additional options.

**DISCLAIMER.** All product information provided is, to the best of Dialight's knowledge, accurate as of the date of publication. When ordering, refer to [www.dialight.com](http://www.dialight.com) for current versions of: (a) relevant product documentation (including the relevant product data sheets); (b) Dialight terms and conditions of sale; and, (c) the relevant product warranty. To the extent that any contract is deemed formed between Dialight and the purchaser of Dialight products and/or an end-user, versions of documents available at [www.dialight.com](http://www.dialight.com) as at the date of sale shall be the versions incorporated therein. In the event of any discrepancy between this document or information provided at [www.dialight.com](http://www.dialight.com), the latter shall prevail.

# Ordering Information

## SafeSite® LED Area Light - 100-277 VAC, 120-250 VDC with Retro-fit Adapters



HZXW01



HZXS45



HZXW45

100-277 VAC, 120-250 VDC Model with Retro-fit Adapters

Part Number	Lumens	Wattage	lm/W	CCT	CRI	Lens	Beam Distribution	Controls Option	Mounting
ALD-7BC2-9DCN-NGN	9,000	66	136	CW	80	Tempered Glass	360°	Dimming	Crouse-Hinds Retro-fit
ALD-5BC2-9DCN-NGN	8,300	66	126	CW	80	Polycarbonate Diffused	360°	Dimming	Crouse-Hinds Retro-fit
ALD-7BC2-7DCN-NGN	7,300	52	140	CW	80	Tempered Glass	360°	Dimming	Crouse-Hinds Retro-fit
ALD-5WC2-7DCN-NGN	6,700	64	105	CW	80	Polycarbonate Diffused	Wide	Dimming	Crouse-Hinds Retro-fit
ALF-5BC2-7DCN-NGN	6,700	52	129	CW	80	Polycarbonate Diffused	360°	Dimming	Crouse-Hinds Retro-fit
ALD-5BC2-7DGN-NGN	6,700	52	129	CW	80	Polycarbonate Diffused	360°	Dimming	GE H2 Retro-fit
ALD-7BC2-6DCN-NGN	5,700	40	143	CW	80	Tempered Glass	360°	Dimming	Crouse-Hinds Retro-fit
ALD-7BC2-6DGN-NGN	5,700	40	143	CW	80	Tempered Glass	360°	Dimming	GE H2 Retro-fit
ALD-5BC2-6DCN-NGN	5,300	40	133	CW	80	Polycarbonate Diffused	360°	Dimming	Crouse-Hinds Retro-fit

All values typical unless otherwise stated (tolerance +/- 10%).  
See ordering chart for additional options.

**DISCLAIMER.** All product information provided is, to the best of Dialight's knowledge, accurate as of the date of publication. When ordering, refer to [www.dialight.com](http://www.dialight.com) for current versions of: (a) relevant product documentation (including the relevant product data sheets); (b) Dialight terms and conditions of sale; and, (c) the relevant product warranty. To the extent that any contract is deemed formed between Dialight and the purchaser of Dialight products and/or an end-user, versions of documents available at [www.dialight.com](http://www.dialight.com) as at the date of sale shall be the versions incorporated therein. In the event of any discrepancy between this document or information provided at [www.dialight.com](http://www.dialight.com), the latter shall prevail.

# SafeSite® LED Area Light

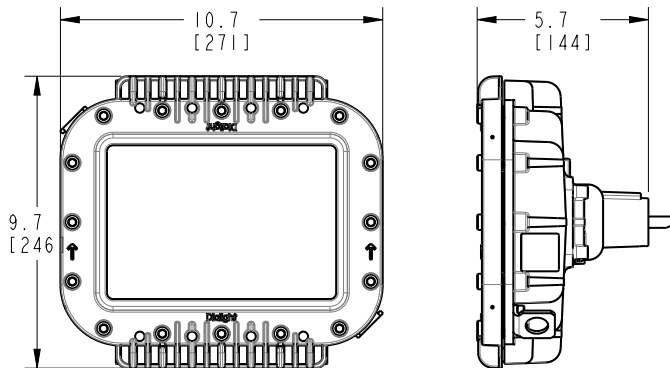
## Class I, Div. 1



### Certifications & Ratings\*

- 10 year warranty
- Class I, Div. 1, Groups C, D
- Class II, Div. 1, Groups E, F, G
- Class I, Zone 1 Group II B+H2
- Zone 21, 22
- CSA C22.2 No. 137-M81
- IP66 / 67 / 69
- NEMA 4X
- Factory sealed
- L70 > 150,000 hours @ 65°C

\*ETL listed



### Mechanical Information:

<b>Fixture weight:</b>	15 lb (6.8 kg)
<b>Shipping weight:</b>	Add 2 lb (0.91 kg) to weights above
<b>Cabling:</b>	10' (3.5 m) 5 conductor SOOW
<b>Impact rating:</b>	IK07 - Tempered glass lens
<b>Cabling:</b>	10' ST00W/SOOW 1.02mm 18 AWG
<b>Mounting:</b>	Secondary retention standard

### Electrical Specifications:

<b>Operating voltage:</b>	100-277 VAC 50/60Hz, 120-250 VDC
<b>Total system power consumption:</b>	See table
<b>Operating temperature:</b>	-40°F to +149°F (-40°C to +65°C)
<b>EMC:</b>	FCC Title 47, Subpart B, Section 15, Class A device CISPR-15 RF Immunity 20V/m 80MHz-1GHz.
<b>Transient protection:</b>	6 kV, 2 Ohm line-line and line-ground
<b>Harmonics:</b>	IEC 61000-3-2, Class C
<b>THD:</b>	< 20%
<b>Power factor:</b>	> 0.9

### Construction:

<b>Housing:</b>	Copper-free aluminum
<b>Finish:</b>	Superior dual coat finish - Sealed polyester topcoat
<b>Lens:</b>	Tempered glass

### Photometric Information:

<b>CRI:</b>	80
<b>CCT:</b>	5000K (cool white) 4000K (neutral white)
<b>Optics:</b>	360° 180° forward throw for 45° mounting Wide for 0° mounting

All values typical unless otherwise stated (tolerance +/- 10%)

### Temperature Ratings

Ambient Temperature Range T4A	Ambient Temperature Range T5
-40°F to +149°F (-40°C to +65°C)	-40°F to +113°F (-40°C to +45°C)

Dimensions in inches [mm]

**WARNING - INSTALLATION & SECONDARY RETENTION.** Use of any Dialight products without proper installation (including secondary retention / netting) and periodic inspections could cause severe injury or death. Dialight recommends that all installations should use secondary retention / netting (appropriate to the installation environment) where applicable. It is the exclusive responsibility of the contractor, installer and/or end-user to: (a) determine the suitability of the product for its intended application; and, (b) ensure that the product is safely installed (with secondary retention / netting where appropriate) and in compliance with all applicable laws and regulations. To the extent permissible under applicable laws, Dialight disclaims all liability for personal injury and/or other damage resulting from any dislodgment or other dislocation of its products.

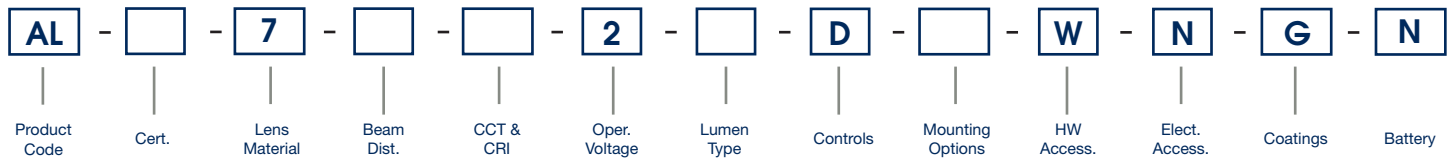
# SafeSite® LED Area Light

Class I, Div. 1



Project Information			Specifications		
Part Number:					
Project:					
Fixture Type:		Date:			

## Ordering Information



### Product Code

AL Area Light

### Certification

- C UL 844 Class I Div. 1  
CSA C22.2 No. 137
- P UL 844 Class I Div. 1 Group B  
(Hydrogen) CSA C22.2 No. 137

### Lens Material

7 Tempered Glass

### Beam Distribution

- A 180°
- B 360°
- W Wide

### CCT & CRI

- C Cool White 5000K - 80 CRI
- N Neutral White 4000K - 80 CRI

### Operating Voltage

2 100-277 VAC, 120-250 VDC

### Lumen Type

- 3 3,001 - 4,000 Lumens
- 4 4,001 - 5,000 Lumens
- 6 5,001 - 6,000 Lumens
- 7 6,001 - 7,000 Lumens
- 9 8,001 - 9,000 Lumens

### Controls

D Dimming (0-10V)

### Mounting Options

- B Swivel Bracket, Locking 0°- 90°  
316 Stainless Steel
- N 3/4" NPT

### Hardware Accessories

W 10 ft (3 meter) Power Cable

### Electrical Accessories

N No Option

### Coatings

G Gray (RAL 7040)

### Battery

N No Option

### Notes

- 1) When ordering Beam Distribution W - Wide: Lumen Type = 7.
- 2) For lumen output see page 26-28.

**DISCLAIMER.** All product information provided is, to the best of Dialight's knowledge, accurate as of the date of publication. When ordering, refer to [www.dialight.com](http://www.dialight.com) for current versions of: (a) relevant product documentation (including the relevant product data sheets); (b) Dialight terms and conditions of sale; and, (c) the relevant product warranty. To the extent that any contract is deemed formed between Dialight and the purchaser of Dialight products and/or an end-user, versions of documents available at [www.dialight.com](http://www.dialight.com) as at the date of sale shall be the versions incorporated therein. In the event of any discrepancy between this document or information provided at [www.dialight.com](http://www.dialight.com), the latter shall prevail.

# Ordering Information

## SafeSite® LED Area Light - Class I, Div. 1



Class I, Div. 1 Model										
Part Number	Lumens	Wattage	lm/W	Certification	CCT	CRI	Lens	Beam Distribution	Controls Option	Mounting
ALC-7BC2-7DBW-NGN	7,000	52	135	CID1	CW	80	Tempered Glass	360°	Dimming	Stainless Steel Bracket
ALC-7BC2-7DNW-NGN	7,000	52	135	CID1	CW	80	Tempered Glass	360°	Dimming	3/4" Conduit
ALC-7BC2-6DNW-NGN	5,400	40	135	CID1	CW	80	Tempered Glass	360°	Dimming	3/4" Conduit
ALP-7BC2-6DNW-NGN	5,400	40	135	CID1 Group B	CW	80	Tempered Glass	360°	Dimming	3/4" Conduit
ALC-7BC2-6DNW-NYN	5,400	40	135	CID1	CW	80	Tempered Glass	360°	Dimming	3/4" Conduit
ALC-7AC2-6DNW-NGN	5,300	40	133	CID1	CW	80	Tempered Glass	180°	Dimming	3/4" Conduit
ALC-7BC2-4DNW-NGN	4,000	30	133	CID1	CW	80	Tempered Glass	360°	Dimming	3/4" Conduit
ALC-7BC2-3DNW-NGN	2,900	24	121	CID1	CW	80	Tempered Glass	360°	Dimming	3/4" Conduit

All values typical unless otherwise stated (tolerance +/- 10%).  
See ordering chart for additional options.

**DISCLAIMER.** All product information provided is, to the best of Dialight's knowledge, accurate as of the date of publication. When ordering, refer to [www.dialight.com](http://www.dialight.com) for current versions of: (a) relevant product documentation (including the relevant product data sheets); (b) Dialight terms and conditions of sale; and, (c) the relevant product warranty. To the extent that any contract is deemed formed between Dialight and the purchaser of Dialight products and/or an end-user, versions of documents available at [www.dialight.com](http://www.dialight.com) as at the date of sale shall be the versions incorporated therein. In the event of any discrepancy between this document or information provided at [www.dialight.com](http://www.dialight.com), the latter shall prevail.

# SafeSite® LED Area Light

## 347/480 VAC

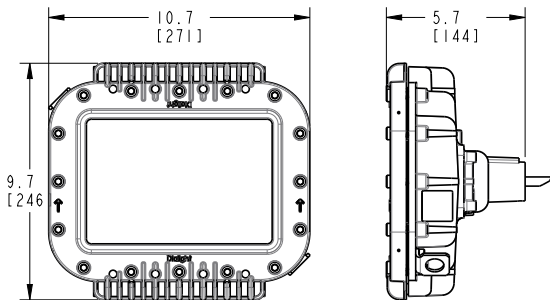


### Certifications & Ratings\*

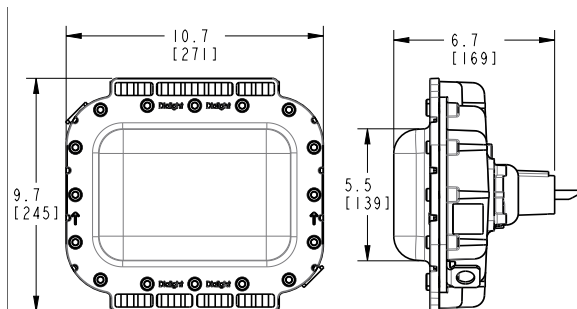
- 5 year warranty
- UL 1598/A, UL 844
- Class I, Div. 1, Groups B, C, D
- Class I, Div. 2, Groups A, B, C, D
- Class II, Div. 1, Groups E, F, G
- Class III, Div. 1 & 2
- CSA C22.2 No. 137
- CSA C22.2 No. 250
- IP66 / 67
- NEMA 4X
- L70 > 100,000 hours @ 25°C

\*ETL listed

### Tempered Glass Lens



### Polycarbonate Lens



Dimensions in inches [mm]

### Mechanical Information:

- Fixture weight:**  
 10 lb (4.5 kg) - Polycarbonate lens  
 12 lb (5.5 kg) - Tempered Glass lens
- Wall mount models:**  
 15 lb (6.8 kg) - Polycarbonate lens  
 18 lb (8.2 kg) - Tempered glass lens
- 45° wall mount models:**  
 14 lb (6.4 kg) - Polycarbonate lens  
 17 lb (7.7 kg) - Tempered glass lens
- 45° stanchion mount:**  
 15 lb (6.8 kg) - Polycarbonate lens  
 18 lb (8.2 kg) - Tempered glass lens
- Class I, Div. 1 model:**  
 15 lb (6.8 kg)

**Shipping weight:** Add 2 lb (0.91 kg) to weights above

**Impact rating:**  
 IK10 - Polycarbonate lens  
 IK07 - Tempered glass lens

**Cabling:** 10' STOOW/SOOW 1.02mm 18 AWG

**Mounting:** Secondary retention standard

### Electrical Specifications:

**Operating voltage:** 347/480 VAC

**Total system power consumption:** See table

**Operating temperature:** -40°F to +149°F (-40°C to +65°C)

**EMC:**  
 FCC Title 47, Subpart B, Section 15,  
 Class A device  
 RF Immunity 20V/m 80MHz-1GHz.

**Transient protection:** 6 kV, 2 Ohm line-line and line-ground

**Harmonics:** IEC 61000-3-2, Class C

**THD:** < 20%

**Power factor:** > 0.9

### Construction:

**Housing:** Copper-free aluminum

**Finish:**  
 Superior dual coat finish  
 - Sealed polyester topcoat

**Lens:** Tempered glass

### Photometric Information:

**CRI:** 75

**CCT:** 5000K (cool white)

**Optics:**  
 360°  
 180° forward throw for 45° mounting

All values typical unless otherwise stated (tolerance +/- 10%)

### Temperature Ratings

Ambient Temperature Range T4A	Ambient Temperature Range T5
-40°F to +149°F (-40°C to +65°C)	-40°F to +113°F (-40°C to +45°C)

**WARNING - INSTALLATION & SECONDARY RETENTION.** Use of any Dialight products without proper installation (including secondary retention / netting) and periodic inspections could cause severe injury or death. Dialight recommends that all installations should use secondary retention / netting (appropriate to the installation environment) where applicable. It is the exclusive responsibility of the contractor, installer and/or end-user to: (a) determine the suitability of the product for its intended application; and, (b) ensure that the product is safely installed (with secondary retention / netting where appropriate) and in compliance with all applicable laws and regulations. To the extent permissible under applicable laws, Dialight disclaims all liability for personal injury and/or other damage resulting from any dislodgment or other dislocation of its products.

# SafeSite<sup>®</sup> LED Area Light

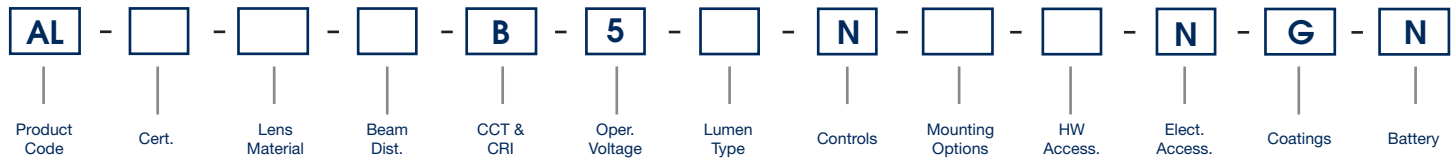
347/480 VAC



Project Information	
Part Number:	
Project:	
Fixture Type:	Date:

Specifications

## Ordering Information



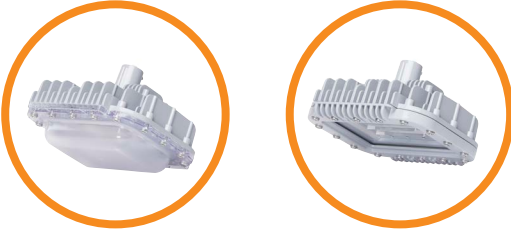
Product Code	Beam Distribution	Mounting Options	Hardware Accessories
AL Area Light	A 180° B 360°	Retro-fit Adapter Universal Mounting Adapter (UMA)	N For Mounting Options - A, C, G, H, K, M, S, U, V, W, Y (individual wire leads are terminated in adapter housing) W 10 ft (3 meter) Power Cable for Mounting Options - B, N
Certification	CCT & CRI	Operating Voltage	Electrical Accessories
C Class I Div. 1 Groups C, D Class II Div. 1 Groups E, F, G CSA 22.2 No. 137 D UL 844 Class I Div. 2 CSA 22.2 No. 137 - M81 F UL 844 Class II Div. 1, 2 Class I Div. 2 CSA 22.2 No. 137 - M81 P Class I Div. 1 Groups B, C, D Class II Div. 1 Groups E, F, G CSA 22.2 No. 137	B Cool White 5000K - 70 CRI	5 347/480 VAC	N No Option
Lens Material	Lumen Type	Controls	Coatings
5 Polycarbonate - Diffused 7 Tempered Glass	4 3.1 - 4K 5 4.1 - 5K 6 5.1 - 6K 7 6.1 - 7K	N No Options	G Gray (RAL 7040)
		Battery	N No Option

Notes
1) When using "UMA" or "Retro-fit" mounting options, Hardware Accessories = N.
2) When ordering Certification option C or P: - Lens Material = 7 - Glass - Clear - Mounting Option = N - 3/4" NPT or B - Swivel Bracket, Locking 0° - 90° 316 Stainless Steel - Hardware Accessories = W 10 ft (3 meter) Power Cable for

DISCLAIMER. All product information provided is, to the best of Dialight's knowledge, accurate as of the date of publication. When ordering, refer to [www.dialight.com](http://www.dialight.com) for current versions of: (a) relevant product documentation (including the relevant product data sheets); (b) Dialight terms and conditions of sale; and, (c) the relevant product warranty. To the extent that any contract is deemed formed between Dialight and the purchaser of Dialight products and/or an end-user, versions of documents available at [www.dialight.com](http://www.dialight.com) as at the date of sale shall be the versions incorporated therein. In the event of any discrepancy between this document or information provided at [www.dialight.com](http://www.dialight.com), the latter shall prevail.

# Ordering Information

## SafeSite® LED Area Light - 347/480 VAC



347/480 VAC Model

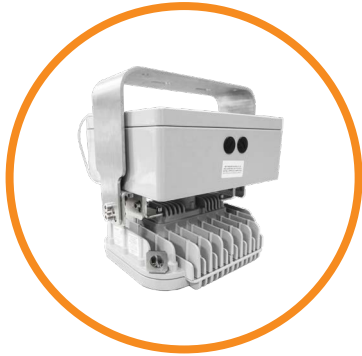
Part Number	Lumens	Wattage	lm/W	CCT	CRI	Lens	Beam Distribution	Controls Option	Mounting
ALD-7BB5-7NNW-NGN	7,200	68	106	CW	75	Tempered Glass	360°	No Dimming	3/4" Conduit
ALD-7BB5-6NNW-NGN	6,000	58	103	CW	75	Tempered Glass	360°	No Dimming	3/4" Conduit
ALD-5BB5-6NCN-NGN	6,000	58	103	CW	75	Polycarbonate Diffused	360°	No Dimming	Crouse-Hinds Retro-fit
ALD-5BB5-6NNW-NGN	5,700	58	98	CW	75	Polycarbonate Diffused	360°	No Dimming	3/4" Conduit
ALD-7BB5-5NNW-NGN	5,000	47	106	CW	75	Tempered Glass	360°	No Dimming	3/4" Conduit

All values typical unless otherwise stated (tolerance +/- 10%).  
See ordering chart for additional options.

**DISCLAIMER.** All product information provided is, to the best of Dialight’s knowledge, accurate as of the date of publication. When ordering, refer to [www.dialight.com](http://www.dialight.com) for current versions of: (a) relevant product documentation (including the relevant product data sheets); (b) Dialight terms and conditions of sale; and, (c) the relevant product warranty. To the extent that any contract is deemed formed between Dialight and the purchaser of Dialight products and/or an end-user, versions of documents available at [www.dialight.com](http://www.dialight.com) as at the date of sale shall be the versions incorporated therein. In the event of any discrepancy between this document or information provided at [www.dialight.com](http://www.dialight.com), the latter shall prevail.

# SafeSite® LED Area Light

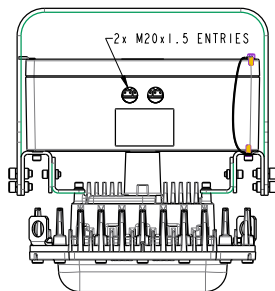
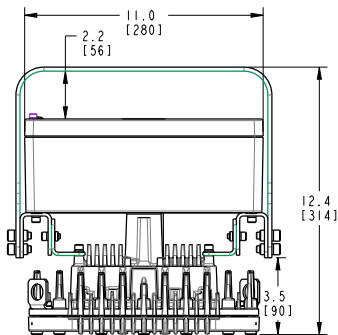
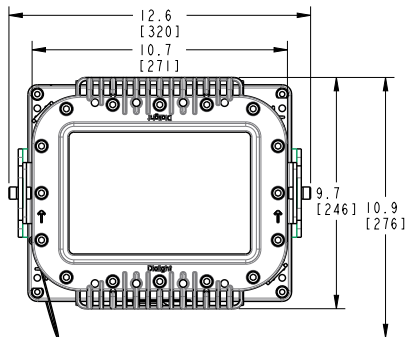
## 120-277 VAC Battery Backup



### Certifications & Ratings\*

- 5 year warranty
- UL 844, UL 1598/A
- Class I, Div. 2, Groups A, B, C, D
- Class III, Div. 1 & 2
- CSA C22.2 No. 137-M81
- IP66 / 67
- NEMA 4X
- Maintained or sustained modes selectable via jumper

\*ETL listed



### Mechanical Information:

<b>Fixture weight:</b>	35 lb (15.9 kg) - Polycarbonate lens 37 lb (16.8 kg) - Tempered glass lens
<b>Shipping weight:</b>	Add 2 lb (0.91 kg) to weights above
<b>Impact rating:</b>	IK10 - Polycarbonate lens IK07 - Tempered glass lens
<b>Wiring entries:</b>	2xM20
<b>Mounting:</b>	Secondary retention standard

### Electrical Specifications:

<b>Operating voltage:</b>	120-277 VAC Battery Backup
<b>Total system power consumption:</b>	See table
<b>Operating temperature:</b>	-40°F to +149°F (-40°C to +65°C)
<b>EMC:</b>	FCC Title 47, Subpart B, Section 15, Class A device RF Immunity 20V/m 80MHz-1GHz.
<b>Transient protection:</b>	6 kV, 2 Ohm line-line and line-ground
<b>Harmonics:</b>	IEC 61000-3-2, Class C
<b>THD:</b>	< 20%
<b>Power factor:</b>	> 0.9

### Construction:

<b>Housing:</b>	Copper-free aluminum
<b>Finish:</b>	Superior dual coat finish - Sealed polyester topcoat
<b>Lens:</b>	Hard-coated polycarbonate Tempered glass

### Photometric Information:

<b>CRI:</b>	75
<b>CCT:</b>	5000K (cool white)
<b>Optics:</b>	360° 180° forward throw for 45° mounting

All values typical unless otherwise stated (tolerance +/- 10%)

Dimensions in inches [mm]

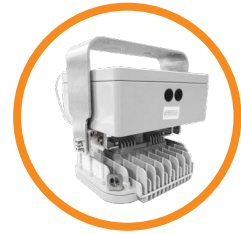
**WARNING - INSTALLATION & SECONDARY RETENTION.** Use of any Dialight products without proper installation (including secondary retention / netting) and periodic inspections could cause severe injury or death. Dialight recommends that all installations should use secondary retention / netting (appropriate to the installation environment) where applicable. It is the exclusive responsibility of the contractor, installer and/or end-user to: (a) determine the suitability of the product for its intended application; and, (b) ensure that the product is safely installed (with secondary retention / netting where appropriate) and in compliance with all applicable laws and regulations. To the extent permissible under applicable laws, Dialight disclaims all liability for personal injury and/or other damage resulting from any dislodgment or other dislocation of its products.

### Temperature Ratings

Ambient Temperature Range T4A	Ambient Temperature Range T5
-40°F to +149°F (-40°C to +65°C)	-40°F to +113°F (-40°C to +45°C)

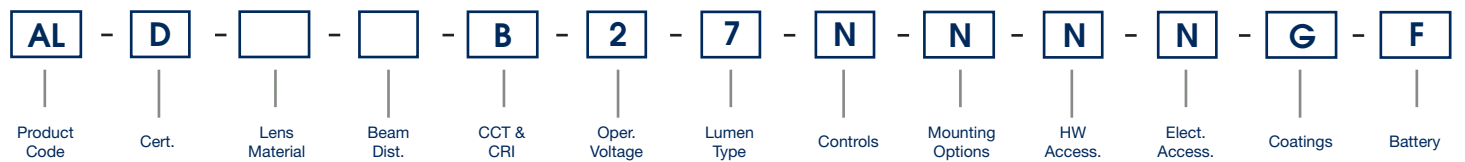
# SafeSite® LED Area Light

## 120-277 VAC Battery Backup



Project Information			Specifications		
Part Number:					
Project:					
Fixture Type:		Date:			

### Ordering Information



<p><b>Product Code</b></p> <hr/> <p>AL Area Light</p>	<p><b>CCT &amp; CRI</b></p> <hr/> <p>B Cool White 5000K - 70 CRI</p>	<p><b>Mounting Options</b></p> <hr/> <p>N 316 Stainless Steel Bracket</p>
<p><b>Certification</b></p> <hr/> <p>D UL 844 Class I Div. 2 CSA 22.2 No. 137 - M81</p>	<p><b>Operating Voltage</b></p> <hr/> <p>2 100 - 277 VAC - Battery Backup</p>	<p><b>Hardware Accessories</b></p> <hr/> <p>N Factory Installed Junction Box</p>
<p><b>Lens Material</b></p> <hr/> <p>5 Polycarbonate - Diffused</p> <hr/> <p>7 Tempered Glass</p>	<p><b>Lumen Type</b></p> <hr/> <p>7 6.1 - 7K</p>	<p><b>Electrical Accessories</b></p> <hr/> <p>N No Option</p>
<p><b>Beam Distribution</b></p> <hr/> <p>A 180°</p> <hr/> <p>B 360°</p>	<p><b>Controls</b></p> <hr/> <p>N No Options</p>	<p><b>Coatings</b></p> <hr/> <p>G Gray (RAL 7040)</p>
		<p><b>Battery</b></p> <hr/> <p>F 180 min.</p>

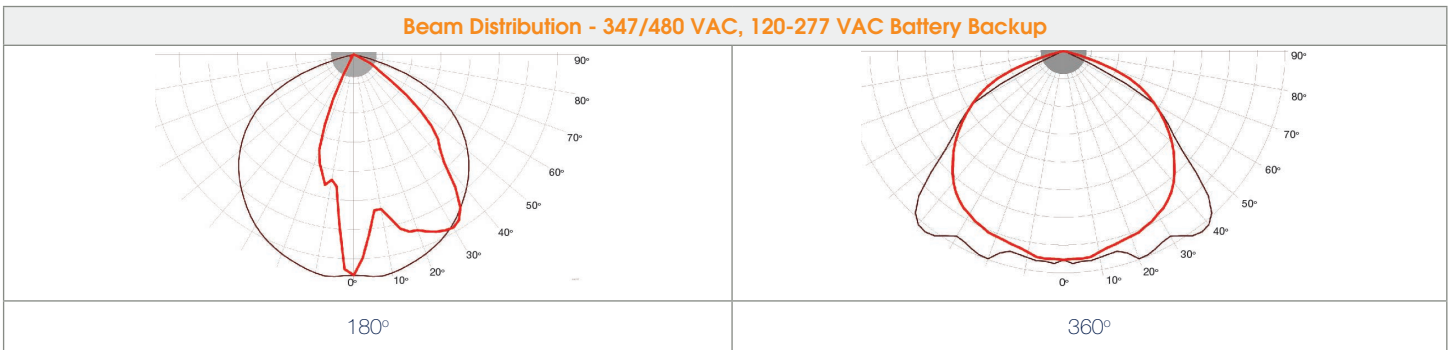
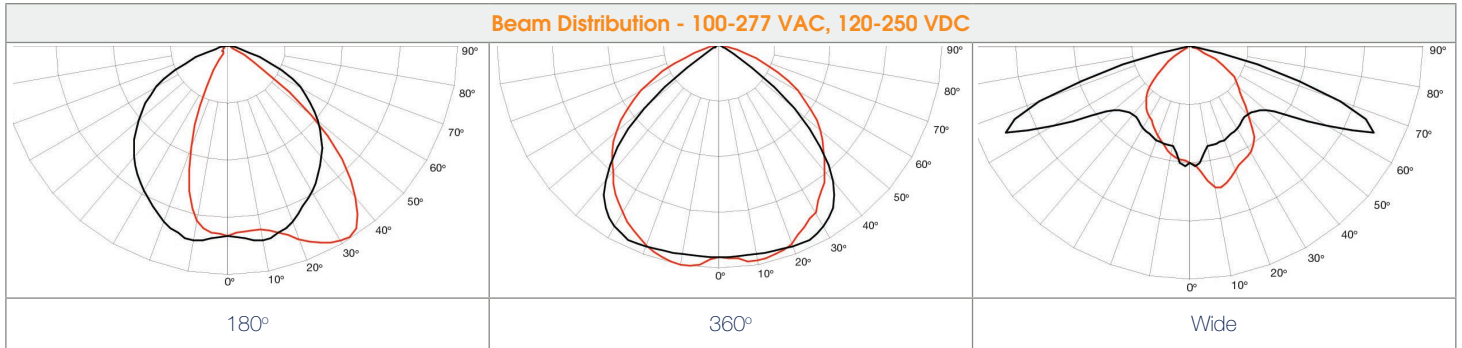
Battery Backup Model								
Part Number	Lumens	Wattage	lm/W	CCT	Lens	Voltage	Beam Distribution	Mounting
ALD-5BB2-7NNN-NGF	7,500	85	88	CW	75	Polycarbonate	360°	Stainless Steel Bracket
ALD-7BB2-7NNN-NGF	7,500	85	88	CW	75	Tempered Glass	360°	Stainless Steel Bracket
ALD-5AB2-7NNN-NGF	7,200	85	85	CW	75	Polycarbonate	180°	Stainless Steel Bracket
ALD-7AB2-7NNN-NGF	7,200	85	85	CW	75	Tempered Glass	180°	Stainless Steel Bracket

All values typical unless otherwise stated (tolerance +/- 10%).

**DISCLAIMER.** All product information provided is, to the best of Dialight's knowledge, accurate as of the date of publication. When ordering, refer to [www.dialight.com](http://www.dialight.com) for current versions of: (a) relevant product documentation (including the relevant product data sheets); (b) Dialight terms and conditions of sale; and, (c) the relevant product warranty. To the extent that any contract is deemed formed between Dialight and the purchaser of Dialight products and/or an end-user, versions of documents available at [www.dialight.com](http://www.dialight.com) as at the date of sale shall be the versions incorporated therein. In the event of any discrepancy between this document or information provided at [www.dialight.com](http://www.dialight.com), the latter shall prevail.

# SafeSite® LED Area Light

## Beam Distributions



**DISCLAIMER.** All product information provided is, to the best of Dialight's knowledge, accurate as of the date of publication. When ordering, refer to [www.dialight.com](http://www.dialight.com) for current versions of: (a) relevant product documentation (including the relevant product data sheets); (b) Dialight terms and conditions of sale; and, (c) the relevant product warranty. To the extent that any contract is deemed formed between Dialight and the purchaser of Dialight products and/or an end-user, versions of documents available at [www.dialight.com](http://www.dialight.com) as at the date of sale shall be the versions incorporated therein. In the event of any discrepancy between this document or information provided at [www.dialight.com](http://www.dialight.com), the latter shall prevail.

# SafeSite® LED Area Light

## Lumen Tables

100-277 VAC, 120-250 VDC

Output Family	Beam Distribution	Lens	Wattage	Lumens 5000 CCT	5000 CCT lm/W	Lumens 4000 CCT	4000 CCT lm/W	Lumens 2700 CCT	2700 CCT lm/W
9,000	360°	Tempered Glass	66	9000	136	8800	134	8200	124
		Class I, Div 1 Glass		8600	131	8400	128	7900	120
		Polycarbonate		8300	127	8100	123	7600	115
	180°	Tempered Glass		8800	134	8600	131	8000	121
		Class I, Div 1 Glass		8400	128	8200	125	7700	117
		Polycarbonate		8100	124	7900	120	7400	112
7,300	360°	Tempered Glass	52	7300	140	7100	138	6700	129
		Class I, Div 1 Glass		7000	135	6800	132	6400	123
		Polycarbonate		6700	131	6500	126	6100	117
	180°	Tempered Glass		7100	138	6900	134	6500	125
		Class I, Div 1 Glass		6800	132	6600	128	6200	119
		Polycarbonate		6600	128	6400	124	6000	115
	Wide	Tempered Glass		7300	114	7100	112	6700	105
		Class I, Div 1 Glass		7000	110	6800	107	6400	100
		Polycarbonate		6700	106	6500	103	6100	95
5,700	360°	Tempered Glass	40	5700	143	5500	140	5200	130
		Class I, Div 1 Glass		5400	137	5200	132	4900	123
		Polycarbonate		5300	133	5100	130	4800	120
	180°	Tempered Glass		5500	140	5300	135	5000	125
		Class I, Div 1 Glass		5300	134	5100	130	4800	120
		Polycarbonate		5100	130	4900	125	4600	115
4,200	360°	Tempered Glass	30	4200	140	4100	137	3800	127
		Class I, Div 1 Glass		4000	134	3900	131	3600	120
		Polycarbonate		3900	130	3800	127	3900	130
	180°	Tempered Glass		4100	137	4000	134	4100	137
		Class I, Div 1 Glass		3900	132	3800	127	3900	130
		Polycarbonate		3800	127	3700	124	3400	113
3,100	360°	Tempered Glass	24	3100	129	3000	127	2800	117
		Class I, Div 1 Glass		2900	124	2900	121	2600	108
		Polycarbonate		2800	120	2700	114	2500	104
	180°	Tempered Glass		3000	127	2900	123	2700	113
		Class I, Div 1 Glass		2900	121	2800	118	2600	108
		Polycarbonate		2800	118	2700	114	2500	104

100-277 VAC Battery Backup

Lumen Letter	Output Family	Beam Distribution Character	Beam Distribution	Lens Character	Lens Material	Wattage	Lumens 5000 CCT	Lumens 4000 CCT
7	7,500	B	360°	7	1/4" AR Glass	85	7500	7300
				5	Polycarbonate		7500	7300
		A	180°	7	1/4" AR Glass		7200	7000
				5	Polycarbonate		6900	6800

All values typical unless otherwise stated (tolerance +/- 10%).

For lighting layouts, please find IES files at [www.dialight.com](http://www.dialight.com)

**DISCLAIMER.** All product information provided is, to the best of Dialight's knowledge, accurate as of the date of publication. When ordering, refer to [www.dialight.com](http://www.dialight.com) for current versions of: (a) relevant product documentation (including the relevant product data sheets); (b) Dialight terms and conditions of sale; and, (c) the relevant product warranty. To the extent that any contract is deemed formed between Dialight and the purchaser of Dialight products and/or an end-user, versions of documents available at [www.dialight.com](http://www.dialight.com) as at the date of sale shall be the versions incorporated therein. In the event of any discrepancy between this document or information provided at [www.dialight.com](http://www.dialight.com), the latter shall prevail.

# SafeSite® LED Area Light

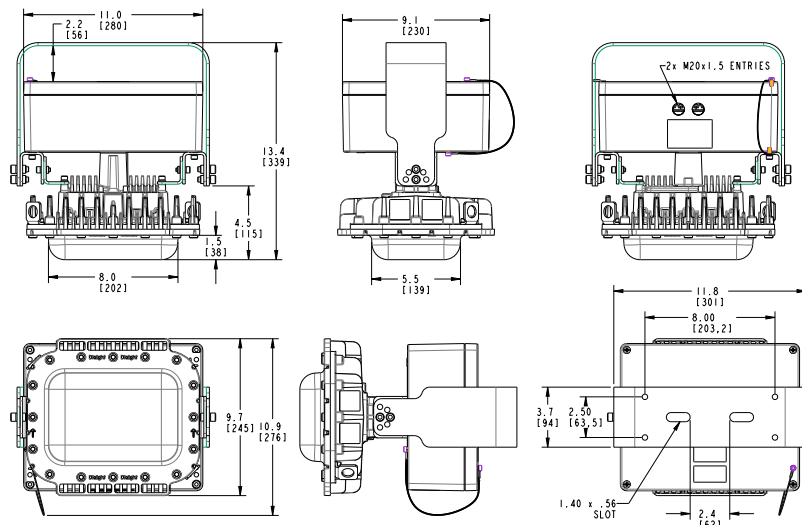
## Lumen Tables & Dimensional Drawings

347/480 VAC							
Output Family	Beam Distribution	Lens	Wattage	Lumens 5000 CCT	5000 CCT lm/W	Lumens 4000 CCT	4000 CCT lm/W
7,250	360°	Tempered Glass	68	7200	107	7100	104
		Class I, Div 1 Glass		6900	102	6800	100
		Polycarbonate		6900	102	6800	100
	180°	Tempered Glass		7200	107	7100	104
		Class I, Div 1 Glass		6900	102	6800	100
		Polycarbonate		6900	102	6800	100
6,000	360°	Tempered Glass	58	6000	103	5800	101
		Class I, Div 1 Glass		5700	99	5600	97
		Polycarbonate		5700	99	5600	97
	180°	Tempered Glass		6000	103	5800	101
		Class I, Div 1 Glass		5700	99	5600	97
		Polycarbonate		5700	99	5600	97
5,000	360°	Tempered Glass	47	5000	106	4900	104
		Class I, Div 1 Glass		4800	102	4700	100
		Polycarbonate		4800	102	4700	100
	180°	Tempered Glass		5000	106	4900	104
		Class I, Div 1 Glass		4800	106	4700	100
		Polycarbonate		4800	102	4700	100
4,100	Wide	Polycarbonate	55	4100	75	4000	73
4,000	360°	Tempered Glass	38	4000	105	3900	103
		Class I, Div 1 Glass		3800	101	3700	99
		Polycarbonate		3800	101	3700	99
	180°	Tempered Glass		4000	105	3900	103
		Class I, Div 1 Glass		3800	101	3700	99
		Polycarbonate		3800	101	3700	99
2,200	360°	Tempered Glass	21	2200	105	2200	105
		Class I, Div 1 Glass		2200	105	2200	105
		Polycarbonate		2200	105	2200	105
	180°	Tempered Glass		2200	105	2200	105
		Class I, Div 1 Glass		2200	105	2200	105
		Polycarbonate		2200	105	2200	105

All values typical unless otherwise stated (tolerance +/- 10%).

For lighting layouts, please find IES files at [www.dialight.com](http://www.dialight.com)

### Battery Backup Model

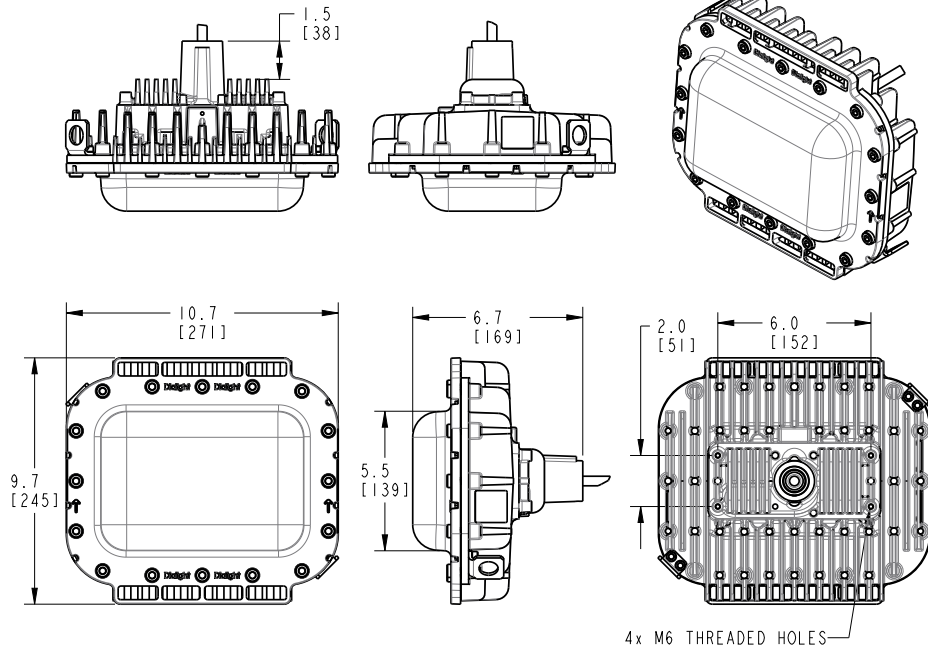


**DISCLAIMER.** All product information provided is, to the best of Dialight's knowledge, accurate as of the date of publication. When ordering, refer to [www.dialight.com](http://www.dialight.com) for current versions of: (a) relevant product documentation (including the relevant product data sheets); (b) Dialight terms and conditions of sale; and, (c) the relevant product warranty. To the extent that any contract is deemed formed between Dialight and the purchaser of Dialight products and/or an end-user, versions of documents available at [www.dialight.com](http://www.dialight.com) as at the date of sale shall be the versions incorporated therein. In the event of any discrepancy between this document or information provided at [www.dialight.com](http://www.dialight.com), the latter shall prevail.

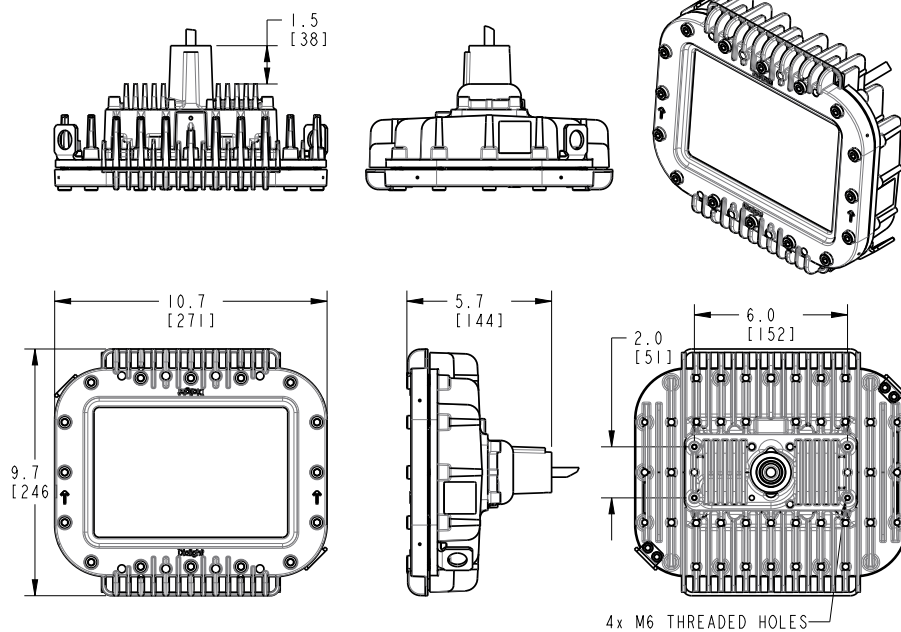
# SafeSite® LED Area Light

## Dimensional Drawings

Polycarbonate Lens - Option 5



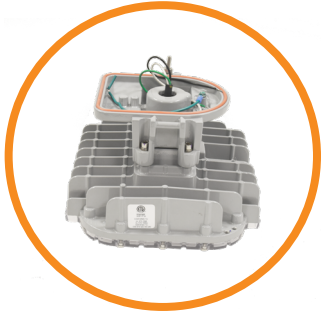
Tempered Glass Lens - Option 7



**DISCLAIMER.** All product information provided is, to the best of Dialight's knowledge, accurate as of the date of publication. When ordering, refer to [www.dialight.com](http://www.dialight.com) for current versions of: (a) relevant product documentation (including the relevant product data sheets); (b) Dialight terms and conditions of sale; and, (c) the relevant product warranty. To the extent that any contract is deemed formed between Dialight and the purchaser of Dialight products and/or an end-user, versions of documents available at [www.dialight.com](http://www.dialight.com) as at the date of sale shall be the versions incorporated therein. In the event of any discrepancy between this document or information provided at [www.dialight.com](http://www.dialight.com), the latter shall prevail.

# SafeSite® LED Area Light

## Accessories



ALxxx2xDUNxGN

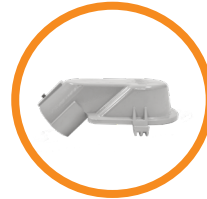
Fixtures are available with a universal mounting adapter factory installed, see product N-chart for details. Choose from one of the four available mounting options:



Wall Mount  
HZXW01



45° Wall Mount  
HZXW45



45° Stanchion Mount  
HZXS45



34mm Slip-fit Pole Mount  
HZXC34



Certified to: UL 50E • CSA C22.2 No. 94.2-07

### HZXSTAN100S

- 1.00" (1.315" Pole OD) Slip-fit stanchion mount

### HZXSTAN125S

- 1.25" (1.660" Pole OD) Slip-fit stanchion mount

### HZXSTAN150S

- 1.50" (1.900" Pole OD) Slip-fit stanchion mount

### HZXSTAN200S

- 2.00" (2.375" Pole OD) Slip-fit stanchion mount

### HZXSTAN100T

- 1.00" (1.315" Pole OD) NPT threaded stanchion mount

### HZXSTAN125T

- 1.25" (1.660" Pole OD) NPT threaded stanchion mount

### HZXSTAN150T

- 1.50" (1.900" Pole OD) NPT threaded stanchion mount

### HZXSTAN200T

- 2.00" (2.375" Pole OD) NPT threaded stanchion mount



### HZXW3

- 316 stainless steel bracket

### HZXW7

- Aluminum bracket



### HZXSAFECBLS

- Safety cable kit



Certified to: UL 50E • CSA C22.2 No. 94.2-07

### HZXJB075

- 0.75" Ceiling / Wall / Pole mount junction box

### HZXJB100

- 1.00" Ceiling / Wall / Pole mount junction box

### HZXJB125

- 1.25" Ceiling / Wall / Pole mount junction box

### HZXJB150

- 1.50" Ceiling / Wall / Pole mount junction box



### HZXW4

- 316 stainless steel bracket with pipe clamp

### HZXW8

- Aluminum bracket with pipe clamp



### HBXC1

- 0.75" NPT Ceiling mount



Certified to: UL 50E • UL 1203

ISA 12.12.01 • CSA C22.2 No. 94.2-07

Certified to: UL 50E • CSA C22.2 No. 94.2-07

### HZXJB075PC1

- 0.75" Junction box with photocell

### HZXJB100PC1

- 1.00" Junction box with photocell

### HZXJB125PC1

- 1.25" Junction box with photocell

### HZXJB150PC1

- 1.50" Junction box with photocell

**DISCLAIMER.** All product information provided is, to the best of Dialight's knowledge, accurate as of the date of publication. When ordering, refer to [www.dialight.com](http://www.dialight.com) for current versions of: (a) relevant product documentation (including the relevant product data sheets); (b) Dialight terms and conditions of sale; and, (c) the relevant product warranty. To the extent that any contract is deemed formed between Dialight and the purchaser of Dialight products and/or an end-user, versions of documents available at [www.dialight.com](http://www.dialight.com) as at the date of sale shall be the versions incorporated therein. In the event of any discrepancy between this document or information provided at [www.dialight.com](http://www.dialight.com), the latter shall prevail.

# SafeSite® LED Area Light

## Retro-fit Options

Retro-fit adapters can be factory installed. See product ordering information for details.

- Eaton's Crouse-Hinds – Champ®
- GE Lighting Solutions – Filtr-Gard™
- Holophane Petrolux® II, III
- Thomas & Betts Hazlux®
- Appleton® Mercmaster III
- Appleton® Mercmaster II
- Killark® Certilite® & Certilite® V

\*Petrolux adapter available as a standalone accessory only



Eaton's Crouse-Hinds – Champ® - HZXTHCH				
Pendant	Ceiling	Wall	Stanchion	Quad Mount
APM2	CM2	TWM2	JM5	QM25
APM3	CM3	TWM3	PM5	
HPM2				



GE Lighting Solutions – Filtr-Gard™ - HZXTHGE				
Pendant	Ceiling	Wall	Stanchion	Quad Mount
3P	3F	3C	3W	5S
4P	4F		4W	6S
				5J, 6J



Holophane® Petrolux II, III - HZXTHP3				
Pendant	Universal	Stanchion	Ceiling	Wall
PD	UN	SA	CD	WL
GH		ST	CE	W
P		A	B, C, D	

Please reference spec sheet at [www.dialight.com](http://www.dialight.com) for all dimensional drawings of retro-fit options.

**DISCLAIMER.** All product information provided is, to the best of Dialight's knowledge, accurate as of the date of publication. When ordering, refer to [www.dialight.com](http://www.dialight.com) for current versions of: (a) relevant product documentation (including the relevant product data sheets); (b) Dialight terms and conditions of sale; and, (c) the relevant product warranty. To the extent that any contract is deemed formed between Dialight and the purchaser of Dialight products and/or an end-user, versions of documents available at [www.dialight.com](http://www.dialight.com) as at the date of sale shall be the versions incorporated therein. In the event of any discrepancy between this document or information provided at [www.dialight.com](http://www.dialight.com), the latter shall prevail.

# SafeSite® LED Area Light

## Retro-fit Options



Thomas & Betts Hazlux® - HZXTHTB				
Pendant	Pendant Cone	Flexible Pendant	Ceiling	Wall
VP2	VA2	VF2	VC2	VB2
VP3	VA3	VF3	VC3	VB3
Wall	25° Angle Stanchion	25° Angle Stanchion	Straight Stanchion	Straight Stanchion
VB2-VIB	VS4	VS4-VIB	VL4	VL4-VIB
VB3-VIB	VS5	VS5-VIB	VL5	VL5-VIB



Appleton® Mercmaster III - HZXTHAP			
Pendant	Ceiling	Wall	Stanchion
KPA-75, 100	KPC-75	KPWB-75	KPS-125
KPAF-75, 100	KPC-100	KPWB-100	KPS-150
KPCH-75, 100			KPST-125
			KPST-150



Appleton® Mercmaster II - HZXTHM2			
Pendant	Ceiling	Wall	Stanchion
LPA-75	LPC-75	LPWB-75	LPS-125
LPA-100	LPC-100	LPWB-100	LPS-150



Killark® Certilite® & Certilite® V - HZXTHKL			
Pendant	Ceiling	Wall	Stanchion
VMA2B & VMA-2	VMX2B & VMX-2	VMB2B & VMB-2	VMD4B
VMA3B & VMA-3	VMX3B & VMX-3	VMB3B & VMB-3	VMD5B
VMC2B & VMC-2	VMX6B, 7B, 8B, 9B		VMS5B
VMC3B & VMC-3			
VMF2B, 3B			

Please reference spec sheet at [www.dialight.com](http://www.dialight.com) for all dimensional drawings of retro-fit options.

**DISCLAIMER.** All product information provided is, to the best of Dialight's knowledge, accurate as of the date of publication. When ordering, refer to [www.dialight.com](http://www.dialight.com) for current versions of: (a) relevant product documentation (including the relevant product data sheets); (b) Dialight terms and conditions of sale; and, (c) the relevant product warranty. To the extent that any contract is deemed formed between Dialight and the purchaser of Dialight products and/or an end-user, versions of documents available at [www.dialight.com](http://www.dialight.com) as at the date of sale shall be the versions incorporated therein. In the event of any discrepancy between this document or information provided at [www.dialight.com](http://www.dialight.com), the latter shall prevail.

# SafeSite® LED End-to-End Linear Fixture

## Technical Specifications



### Ratings and Certifications

- UL 1598/A
- CSA C22.2 No. 250
- UL 844
- CSA C22.2 No. 137-M81
- 5 year warranty
- L70 rated for >125,000 hours
- IP66/67
- NEMA 4X
- CID2 A,B,C,D
- CIID1 E,F,G
- CIID2 F,G
- CIII

\*All features not available on every model. Please refer to product part number pages for model specifics.

### Mechanical Information

#### Fixture weight:

- 4' model: 18 lb (8.2 kg)
- 2' model: 13 lb (5.9 kg)

#### Shipping weight:

- 4' model: 20 lb (9.1 kg)
- 2' model: 15 lb (6.8 kg)

#### Mounting:

- (4) 3/4" NPT openings
- Optional ceiling, flush or swivel mounting bracket
- Secondary retention option available

### Temperature Ratings

Ambient Temperature Range  
T4A Temperature Code

-40°F to +149°F (-40°C to +65°C)

Ambient Temperature Range  
T5 Temperature Code

-40°F to +113°F (-40°C to +45°C)

### Specifications

<b>Voltage:</b>	120-277 VAC	<b>Housing:</b>	Extruded 6063 aluminum
<b>Operating temp:</b>	-40°F to +149°F (-40°C to +65°C)	<b>Lens:</b>	Polycarbonate
<b>Power factor:</b>	>0.9	<b>CRI:</b>	80
<b>THD:</b>	<20%	<b>CCT:</b>	5000K (cool white) 4000K (neutral white)
<b>Surge protection:</b>	6kV line-to-line, 6kV line-to-ground		

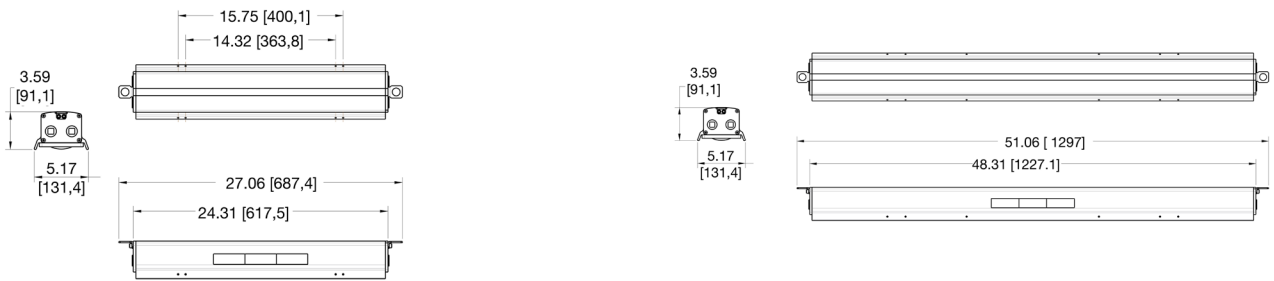
### Comparison

	Warranty	L70	T-Rating
Dialight LED Linear	5yr	>125,000	T5
Metal Halide	1	6,000	T2
High Pressure Sodium	1	20,000	T2A
Fluorescent	1	24,000	T3

### Lumens Wattage lm/W Mounting Heights

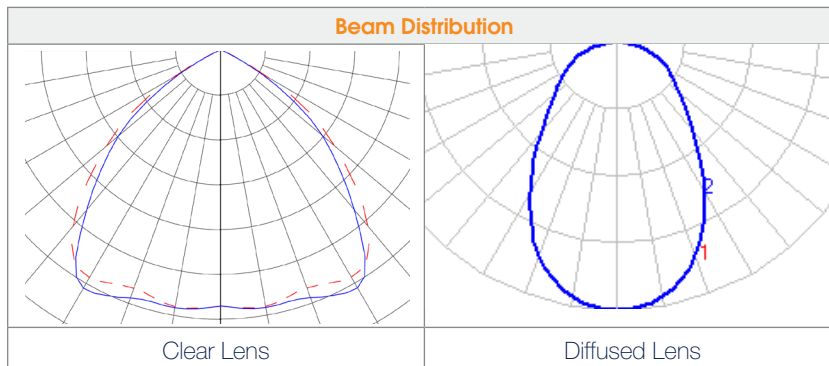
Lumens	Wattage	lm/W	Mounting Heights
7,500	60	125	20'
6,750	60	112	↕
4,000	32	125	
3,500	32	109	10'

### Dimensions



Dimension in inches [mm]

### Beam Distribution



**WARNING - INSTALLATION & SECONDARY RETENTION.** Use of any Dialight products without proper installation (including secondary retention / netting) and periodic inspections could cause severe injury or death. Dialight recommends that all installations should use secondary retention / netting (appropriate to the installation environment) where applicable. It is the exclusive responsibility of the contractor, installer and/or end-user to: (a) determine the suitability of the product for its intended application; and, (b) ensure that the product is safely installed (with secondary retention / netting where appropriate) and in compliance with all applicable laws and regulations. To the extent permissible under applicable laws, Dialight disclaims all liability for personal injury and/or other damage resulting from any dislodgment or other dislocation of its products.

# SafeSite® LED End-to-End Linear Fixture

## Ordering Information & Accessories

Classifications: CID2 Groups A, B, C, D • CIID1 E, F, G • CIID2 F, G • CIII

Part Number	Length	CRI	CID1	CID2	CIID1	CIID2	CIII	Voltage	Lens	CCT	Fixture Lumens	Watt	lm/W	Beam Distribution
<b>Class I, Div 2 Models</b>														
LBD2MB3FNNNNGN	4'	80		•				120-277 VAC	Clear	5000K (cool white)	7,500	60	125	Medium
LBD6MB3FNNNNGN	4'	80		•				120-277 VAC	Diffused	5000K (cool white)	6,750	60	112	Medium
LAD2MB3BNNNNGN	2'	80		•				120-277 VAC	Clear	5000K (cool white)	4,000	32	125	Medium
LAD6MB3BNNNNGN	2'	80		•				120-277 VAC	Diffused	5000K (cool white)	3,500	32	109	Medium
<b>Class II, Div 1 Models</b>														
LBF2MB3FNNNNGN	4'	80			•	•	•	120-277 VAC	Clear	5000K (cool white)	7,500	60	125	Medium
LBF6MB3FNNNNGN	4'	80			•	•	•	120-277 VAC	Diffused	5000K (cool white)	6,750	60	112	Medium
LAF2MB3BNNNNGN	2'	80			•	•	•	120-277 VAC	Clear	5000K (cool white)	4,000	32	125	Medium
LAF6MB3BNNNNGN	2'	80			•	•	•	120-277 VAC	Diffused	5000K (cool white)	3,500	32	109	Medium

All values typical unless otherwise stated (tolerance +/- 10%).

Part numbers listed in the table above are cool white. For neutral white models, replace the 6th character with an **N**.

### Swivel Mount



- EEX-S6**
- 316 stainless steel swivel mounting bracket
  - Can be angled at 0°, 30°, 45°, 60°, and 90°



### Ceiling Mount



- EEX-C6**
- 316 stainless steel fixed ceiling mount



### Flush Mount



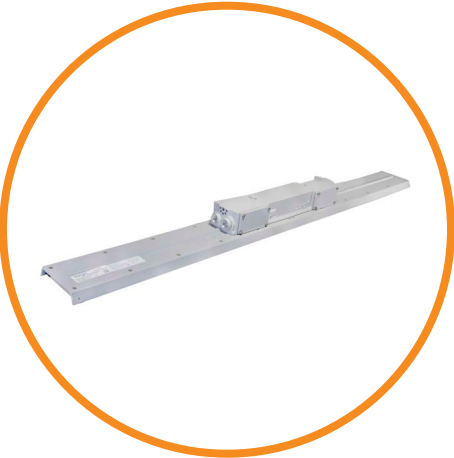
- EEX-F6**
- 316 stainless steel flush mount



**DISCLAIMER.** All product information provided is, to the best of Dialight's knowledge, accurate as of the date of publication. When ordering, refer to [www.dialight.com](http://www.dialight.com) for current versions of: (a) relevant product documentation (including the relevant product data sheets); (b) Dialight terms and conditions of sale; and, (c) the relevant product warranty. To the extent that any contract is deemed formed between Dialight and the purchaser of Dialight products and/or an end-user, versions of documents available at [www.dialight.com](http://www.dialight.com) as at the date of sale shall be the versions incorporated therein. In the event of any discrepancy between this document or information provided at [www.dialight.com](http://www.dialight.com), the latter shall prevail.

# SafeSite® LED Linear - UL 844

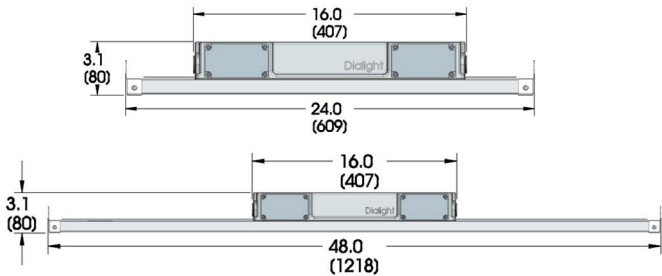
Low Profile - Class I, Div. 2 / Class II - 10 year warranty



### Certifications & Ratings

- UL 1598/A<sup>1</sup>
- UL 844<sup>1</sup>
- CSA C22.2 No. 137<sup>1</sup>
- CSA C22.2 No. 250<sup>1</sup>
- IP66 / 67
- Class I, Div. 2 Groups A, B, C & D
- Class I, Zone 2 Group IIC
- Class II, Div. 1 Groups E, F & G
- Class II, Div. 2 Groups F & G
- Class III
- NEMA 4X
- 2000 PSI hose-down rating<sup>2</sup>
- DLC Premium & Standard

<sup>1</sup>ETL listed  
<sup>2</sup>Internally tested



Dimensions in inches [mm]

Temperature Ratings	
Ambient Temperature Range T4A Temperature Code	Ambient Temperature Range T5 Temperature Code
-40°F to +149°F (-40°C to +65°C)	-40°F to +113°F (-40°C to +45°C)

### Mechanical Information:

- Fixture weight:** 4' - 11 lb (5.0 kg)  
2' - 8 lb (3.6 kg)
- Shipping weight:** 4' - 12 lb (5.4 kg)  
2' - 9 lb (4.1 kg)
- Mounting:** (4) 3/4" NPT openings  
Optional swivel bracket - LPXW4  
Optional low profile bracket - LPXW4LP

### Variable Dimming:

- Variable dimming control:** 0-10 VDC
- Dimming range:** 10 VDC = 100% light output  
0 VDC = 5% light output

### Electrical Specifications:

- Operating voltage:** 100-277 VAC, 50/60Hz  
120-250 VDC
- Power consumption:** See ordering information
- Operating temp:** -40°F to +149°F (-40°C to +65°C)
- EMC:** FCC Title 47, Subpart B, Section 15, Class A device. RF Immunity; 10V/m, 80MHz-1GHz
- Surge protection:** EN 61000-4-5  
6 kV line-to-line  
6 kV line-to-ground
- Harmonics:** IEC 61000-3-2 Class C  
ATHD<20%
- Power factor:** > 0.9

### Construction:

- Finish:** Superior dual coat finish  
- Sealed polyester topcoat  
- Chemical resistant epoxy primer
- Lens:** Polycarbonate

### Photometric Information:

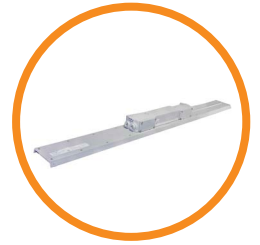
- CRI:** 80
- CCT:** 5000K (cool white)  
4000K (neutral white)
- IES files:** Available at [www.dialight.com](http://www.dialight.com)

All values typical unless otherwise stated (tolerance +/- 10%)

**WARNING - INSTALLATION & SECONDARY RETENTION.** Use of any Dialight products without proper installation (including secondary retention / netting) and periodic inspections could cause severe injury or death. Dialight recommends that all installations should use secondary retention / netting (appropriate to the installation environment) where applicable. It is the exclusive responsibility of the contractor, installer and/or end-user to: (a) determine the suitability of the product for its intended application; and, (b) ensure that the product is safely installed (with secondary retention / netting where appropriate) and in compliance with all applicable laws and regulations. To the extent permissible under applicable laws, Dialight disclaims all liability for personal injury and/or other damage resulting from any dislodgment or other dislocation of its products.

# Ordering Information

SafeSite® LED Linear - Low Profile - UL 844 - 10 year warranty



Classifications: CID2 A, B, C, D • CIID1 E, F, G • CIID2 F, G • CIII

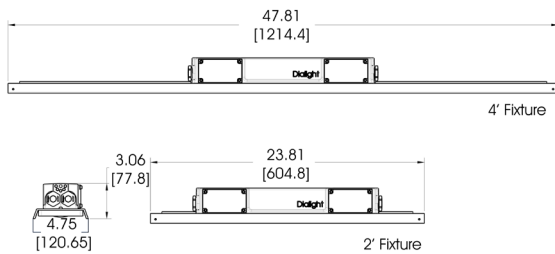
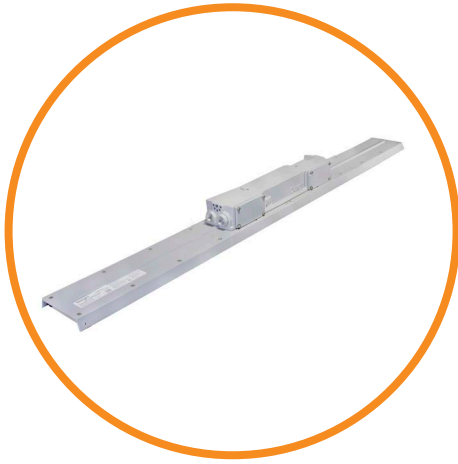
Part Number (x = CCT placeholder)	Length	CRI	Wattage	Fixture Lumens		lm/W		Voltage	Lens	Beam Distribution
				5000K	4000K	5000K	4000K			
Class I, Div. 2 Models										
LKD-4M(x)2-9DNN-NGN	4'	80	70	9,600	9,300	137	132	100-277 VAC / 120-250 VDC	Clear Polycarbonate	Medium
LKD-5M(x)2-9DNN-NGN	4'	80	70	8,800	8,500	125	121	100-277 VAC / 120-250 VDC	Diffused Polycarbonate	Medium
LKD-4W(x)2-9DNN-NGN	4'	80	70	9,600	9,300	137	132	100-277 VAC / 120-250 VDC	Clear Polycarbonate	Wide
LKD-4M(x)2-7DNN-NGN	4'	80	52	7,250	6,950	139	134	100-277 VAC / 120-250 VDC	Clear Polycarbonate	Medium
LKD-5M(x)2-7DNN-NGN	4'	80	52	6,550	6,250	126	120	100-277 VAC / 120-250 VDC	Diffused Polycarbonate	Medium
LKD-4W(x)2-7DNN-NGN	4'	80	52	7,250	6,950	139	134	100-277 VAC / 120-250 VDC	Clear Polycarbonate	Wide
LJD-4M(x)2-5DNN-NGN	2'	80	37	4,750	4,500	128	122	100-277 VAC / 120-250 VDC	Clear Polycarbonate	Medium
LJD-5M(x)2-5DNN-NGN	2'	80	37	4,450	4,200	120	114	100-277 VAC / 120-250 VDC	Diffused Polycarbonate	Medium
LJD-4W(x)2-5DNN-NGN	2'	80	37	4,750	4,500	128	122	100-277 VAC / 120-250 VDC	Clear Polycarbonate	Wide
Class II, Div. 1 Models										
LKF-4M(x)2-9DNN-NGN	4'	80	70	9,600	9,300	137	132	100-277 VAC / 120-250 VDC	Clear Polycarbonate	Medium
LKF-5M(x)2-9DNN-NGN	4'	80	70	8,800	8,500	125	121	100-277 VAC / 120-250 VDC	Diffused Polycarbonate	Medium
LKF-4W(x)2-9DNN-NGN	4'	80	70	9,600	9,300	137	132	100-277 VAC / 120-250 VDC	Clear Polycarbonate	Wide
LKF-4M(x)2-7DNN-NGN	4'	80	52	7,250	6,950	139	134	100-277 VAC / 120-250 VDC	Clear Polycarbonate	Medium
LKF-5M(x)2-7DNN-NGN	4'	80	52	6,550	6,250	126	120	100-277 VAC / 120-250 VDC	Diffused Polycarbonate	Medium
LKF-4W(x)2-7DNN-NGN	4'	80	52	7,250	6,950	139	134	100-277 VAC / 120-250 VDC	Clear Polycarbonate	Wide
LJF-4M(x)2-5DNN-NGN	2'	80	37	4,750	4,500	128	122	100-277 VAC / 120-250 VDC	Clear Polycarbonate	Medium
LJF-5M(x)2-5DNN-NGN	2'	80	37	4,450	4,200	120	114	100-277 VAC / 120-250 VDC	Diffused Polycarbonate	Medium
LJF-4W(x)2-5DNN-NGN	2'	80	37	4,750	4,500	128	122	100-277 VAC / 120-250 VDC	Clear Polycarbonate	Wide

All values typical unless otherwise stated (tolerance +/- 10%)  
 CCT placeholders - C=5000K (cool white), N= 4000K (neutral white)  
 For additional ordering options, please consult factory.

**DISCLAIMER.** All product information provided is, to the best of Dialight's knowledge, accurate as of the date of publication. When ordering, refer to [www.dialight.com](http://www.dialight.com) for current versions of: (a) relevant product documentation (including the relevant product data sheets); (b) Dialight terms and conditions of sale; and, (c) the relevant product warranty. To the extent that any contract is deemed formed between Dialight and the purchaser of Dialight products and/or an end-user, versions of documents available at [www.dialight.com](http://www.dialight.com) as at the date of sale shall be the versions incorporated therein. In the event of any discrepancy between this document or information provided at [www.dialight.com](http://www.dialight.com), the latter shall prevail.

# SafeSite® LED Linear - Low Profile

## Technical Specifications - 5 year warranty



Dimensions in inches [mm]

### Temperature Ratings

Ambient Temperature Range T4A Temperature Code	Ambient Temperature Range T5 Temperature Code
-40°F to +149°F (-40°C to +65°C)	-40°F to +113°F (-40°C to +45°C)

### Certifications & Ratings

- UL 1598/A
- UL 844
- CSA C22.2 No. 137
- CSA C22.2 No. 250
- IP66 / 67
- Class I, Div. 2 Groups A, B, C & D
- Class II, Div. 1 Groups E, F & G
- Class II, Div. 2 Groups F & G
- Class III
- NEMA 4X

### Mechanical Information:

- Fixture weight:** 4' - 10 lb (4.5 kg)  
2' - 7 lb (3.2 kg)
- Shipping weight:** 4' - 11 lb (5.0 kg)  
2' - 8 lb (3.6 kg)
- Mounting:** (4) 3/4" NPT openings  
Optional swivel bracket - LPXW4  
Optional low profile bracket - LPXW4LP

### Electrical Specifications:

- Operating voltage:** 100-277 VAC, 50/60Hz
- Power consumption:** See ordering information
- Operating temp:** -40°F to +149°F (-40°C to +65°C)
- Harmonics:** IEC 61000-3-2
- Noise Requirements/EMC:** FCC Title 47, Subpart B, Section 15, Class A device. RF Immunity; 10V/m, 80MHz-1GHz
- Surge protection:** EN 61000-4-5  
4 kV line-to-line  
4 kV line-to-ground
- THD:** < 20%
- Power factor:** > 0.9

### Construction:

- Finish:** Superior dual coat finish  
- Sealed polyester topcoat  
- Chemical resistant epoxy primer
- Lens:** Polycarbonate

### Photometric Information:

- CRI:** 80
- CCT:** 5000K (cool white)  
4000K (neutral white)
- IES files:** Available at [www.dialight.com](http://www.dialight.com)

All values typical unless otherwise stated (tolerance +/- 10%)

**WARNING - INSTALLATION & SECONDARY RETENTION.** Use of any Dialight products without proper installation (including secondary retention / netting) and periodic inspections could cause severe injury or death. Dialight recommends that all installations should use secondary retention / netting (appropriate to the installation environment) where applicable. It is the exclusive responsibility of the contractor, installer and/or end-user to: (a) determine the suitability of the product for its intended application; and, (b) ensure that the product is safely installed (with secondary retention / netting where appropriate) and in compliance with all applicable laws and regulations. To the extent permissible under applicable laws, Dialight disclaims all liability for personal injury and/or other damage resulting from any dislodgment or other dislocation of its products.

# SafeSite® LED Linear - Low Profile

## Ordering Information & Accessories - 5 year warranty

Classifications: CID2 A, B, C, D • CIID1 E, F, G • CIID2 F, G • CIII

Part Number	Length	CRI	CID1	CID2	CIID1	CIID2	CIII	Fixture Lumens	Watt	lm/W	Voltage	CCT	Lens	Beam Distribution
<b>Class I, Div. 2 Models</b>														
LPD3C4M2P	4'	80		•		•	•	7,900	60	132	100-277 VAC	5000K (cool white)	Clear	Medium
LPD3C4H2W	4'	80		•		•	•	7,100	60	118	100-277 VAC	5000K (cool white)	Diffused	Medium
LPD3N4M2P	4'	80		•		•	•	7,300	60	122	100-277 VAC	4000K (neutral white)	Clear	Medium
LPD3N4H2W	4'	80		•		•	•	6,700	60	112	100-277 VAC	4000K (neutral white)	Diffused	Medium
LPD3C4D2P	2'	80		•		•	•	3,850	29	133	100-277 VAC	5000K (cool white)	Clear	Medium
LPD3C4B2W	2'	80		•		•	•	3,500	29	121	100-277 VAC	5000K (cool white)	Diffused	Medium
LPD3N4D2P	2'	80		•		•	•	3,600	29	124	100-277 VAC	4000K (neutral white)	Clear	Medium
LPD3N4B2W	2'	80		•		•	•	3,300	29	114	100-277 VAC	4000K (neutral white)	Diffused	Medium
<b>Class II, Div. I Models</b>														
LPF3C4M2P	4'	80			•	•	•	7,900	60	132	100-277 VAC	5000K (cool white)	Clear	Medium
LPF3C4H2W	4'	80			•	•	•	7,100	60	118	100-277 VAC	5000K (cool white)	Diffused	Medium
LPF3N4M2P	4'	80			•	•	•	7,300	60	122	100-277 VAC	4000K (neutral white)	Clear	Medium
LPF3N4H2W	4'	80			•	•	•	6,700	60	112	100-277 VAC	4000K (neutral white)	Diffused	Medium
LPF3C4D2P	2'	80			•	•	•	3,850	29	133	100-277 VAC	5000K (cool white)	Clear	Medium
LPF3C4B2W	2'	80			•	•	•	3,500	29	121	100-277 VAC	5000K (cool white)	Diffused	Medium
LPF3N4D2P	2'	80			•	•	•	3,600	29	124	100-277 VAC	4000K (neutral white)	Clear	Medium
LPF3N4B2W	2'	80			•	•	•	3,300	29	114	100-277 VAC	4000K (neutral white)	Diffused	Medium

All values typical unless otherwise stated, Lumen values are typical (tolerance +/- 10%).

Part numbers listed in the table above are cool white. For neutral white model, replace the 5th character with N. Ex. LPD3C4M2P becomes LPD3N4M2P



### LPXW4

- 316 Stainless steel mounting bracket
- Can be angled at 0°, 30°, 45°, 60° & 90°



### LPXW4LP

- 316 Stainless steel low profile mounting bracket
- Can be angled at 0° and 15°



### LTXSAFEKIT

- Stainless steel safety cable kit for secondary retention



### LTXENDCAPKIT

- 304 Stainless steel chain mount and secondary retention bracket

**DISCLAIMER.** All product information provided is, to the best of Dialight's knowledge, accurate as of the date of publication. When ordering, refer to [www.dialight.com](http://www.dialight.com) for current versions of: (a) relevant product documentation (including the relevant product data sheets); (b) Dialight terms and conditions of sale; and, (c) the relevant product warranty. To the extent that any contract is deemed formed between Dialight and the purchaser of Dialight products and/or an end-user, versions of documents available at [www.dialight.com](http://www.dialight.com) as at the date of sale shall be the versions incorporated therein. In the event of any discrepancy between this document or information provided at [www.dialight.com](http://www.dialight.com), the latter shall prevail.

# SafeSite® LED Linear - UL 844

Top Conduit - Class I, Div. 2 / Class II - 10 year warranty

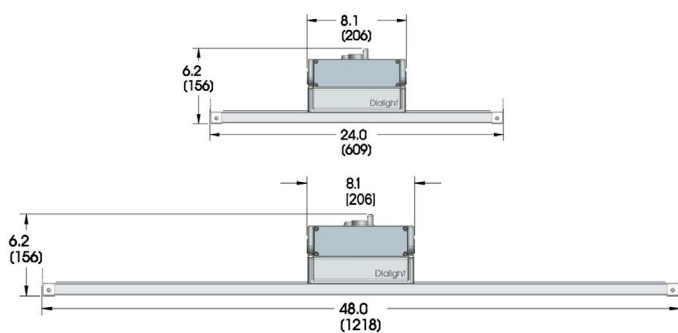


## Certifications & Ratings

- UL 1598/A<sup>1</sup>
- UL 844<sup>1</sup>
- CSA C22.2 No. 137<sup>1</sup>
- CSA C22.2 No. 250<sup>1</sup>
- IP66
- Class I, Div. 2 Groups A, B, C & D
- Class I, Zone 2 Group IIC
- Class II, Div. 1 Groups E, F & G
- Class II, Div. 2 Groups F & G
- Class III
- NEMA 4X
- 2000 PSI hose-down rating<sup>2</sup>
- DLC Premium & Standard

<sup>1</sup>ETL listed

<sup>2</sup>Internally tested



Dimensions in inches [mm]

## Temperature Ratings

Ambient Temperature Range T4A Temperature Code	Ambient Temperature Range T5 Temperature Code
-40°F to +149°F (-40°C to +65°C)	-40°F to +113°F (-40°C to +45°C)

## Mechanical Information:

- Fixture weight:** 4' - 11 lb (5.0 kg)  
2' - 8 lb (3.6 kg)
- Shipping weight:** 4' - 12 lb (5.4 kg)  
2' - 9 lb (4.1 kg)
- Mounting:** (4) 3/4" NPT openings  
Optional swivel bracket - LTXW4  
Optional low profile bracket - LTXW4LP

## Variable Dimming:

- Variable dimming control:** 0-10 VDC
- Dimming range:** 10 VDC = 100% light output  
0 VDC = 5% light output

## Electrical Specifications:

- Operating voltage:** 100-277 VAC, 50/60Hz  
120-250 VDC
- Power consumption:** See ordering information
- Operating temp:** -40°F to +149°F (-40°C to +65°C)
- EMC:** FCC Title 47, Subpart B, Section 15,  
Class A device. RF Immunity; 10V/m,  
80MHz-1GHz
- Surge protection:** EN 61000-4-5  
6 kV line-to-line  
6 kV line-to-ground
- Harmonics:** IEC 61000-3-2 Class C  
ATHD<20%
- Power factor:** > 0.9

## Construction:

- Finish:** Superior dual coat finish  
- Sealed polyester topcoat  
- Chemical resistant epoxy primer
- Lens:** Polycarbonate

## Photometric Information:

- CRI:** 80
- CCT:** 5000K (cool white)  
4000K (neutral white)
- IES files:** Available at [www.dialight.com](http://www.dialight.com)

All values typical unless otherwise stated (tolerance +/- 10%)

**WARNING - INSTALLATION & SECONDARY RETENTION.** Use of any Dialight products without proper installation (including secondary retention / netting) and periodic inspections could cause severe injury or death. Dialight recommends that all installations should use secondary retention / netting (appropriate to the installation environment) where applicable. It is the exclusive responsibility of the contractor, installer and/or end-user to: (a) determine the suitability of the product for its intended application; and, (b) ensure that the product is safely installed (with secondary retention / netting where appropriate) and in compliance with all applicable laws and regulations. To the extent permissible under applicable laws, Dialight disclaims all liability for personal injury and/or other damage resulting from any dislodgment or other dislocation of its products.

# Ordering Information

## SafeSite® LED Linear - Top Conduit - UL 844 - 10 year warranty



Classifications: CID2 A, B, C, D • CIID1 E, F, G • CIID2 F, G • CIII

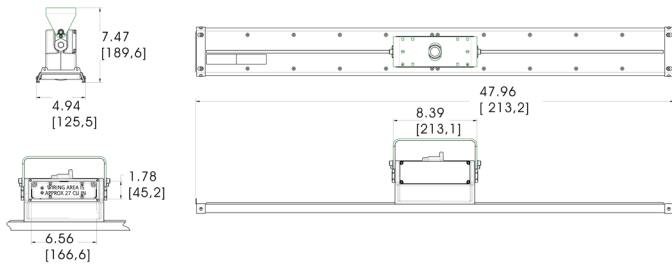
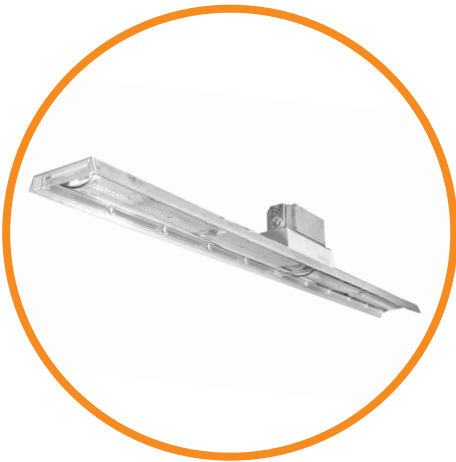
Part Number (x = CCT placeholder)	Length	CRI	Wattage	Fixture Lumens		lm/W		Voltage	Lens	Beam Distribution
				5000K	4000K	5000K	4000K			
Class I, Div. 2 Models										
LHD-4M(x)2-9DNN-NGN	4'	80	70	9,600	9,300	137	132	100-277 VAC / 120-250 VDC	Clear Polycarbonate	Medium
LHD-5M(x)2-9DNN-NGN	4'	80	70	8,800	8,500	125	121	100-277 VAC / 120-250 VDC	Diffused Polycarbonate	Medium
LHD-4W(x)2-9DNN-NGN	4'	80	70	9,600	9,300	137	132	100-277 VAC / 120-250 VDC	Clear Polycarbonate	Wide
LHD-4M(x)2-7DNN-NGN	4'	80	52	7,250	6,950	139	134	100-277 VAC / 120-250 VDC	Clear Polycarbonate	Medium
LHD-5M(x)2-7DNN-NGN	4'	80	52	6,550	6,250	126	120	100-277 VAC / 120-250 VDC	Diffused Polycarbonate	Medium
LHD-4W(x)2-7DNN-NGN	4'	80	52	7,250	6,950	139	134	100-277 VAC / 120-250 VDC	Clear Polycarbonate	Wide
LGD-4M(x)2-5DNN-NGN	2'	80	37	4,750	4,500	128	122	100-277 VAC / 120-250 VDC	Clear Polycarbonate	Medium
LGD-5M(x)2-5DNN-NGN	2'	80	37	4,450	4,200	120	114	100-277 VAC / 120-250 VDC	Diffused Polycarbonate	Medium
LGD-4W(x)2-5DNN-NGN	2'	80	37	4,750	4,500	128	122	100-277 VAC / 120-250 VDC	Clear Polycarbonate	Wide
Class II, Div. 1 Models										
LHF-4M(x)2-9DNN-NGN	4'	80	70	9,600	9,300	137	132	100-277 VAC / 120-250 VDC	Clear Polycarbonate	Medium
LHF-5M(x)2-9DNN-NGN	4'	80	70	8,800	8,500	125	121	100-277 VAC / 120-250 VDC	Diffused Polycarbonate	Medium
LHF-4W(x)2-9DNN-NGN	4'	80	70	9,600	9,300	137	132	100-277 VAC / 120-250 VDC	Clear Polycarbonate	Wide
LHF-4M(x)2-7DNN-NGN	4'	80	52	7,250	6,950	139	134	100-277 VAC / 120-250 VDC	Clear Polycarbonate	Medium
LHF-5M(x)2-7DNN-NGN	4'	80	52	6,550	6,250	126	120	100-277 VAC / 120-250 VDC	Diffused Polycarbonate	Medium
LHF-4W(x)2-7DNN-NGN	4'	80	52	7,250	6,950	139	134	100-277 VAC / 120-250 VDC	Clear Polycarbonate	Wide
LGF-4M(x)2-5DNN-NGN	2'	80	37	4,750	4,500	128	122	100-277 VAC / 120-250 VDC	Clear Polycarbonate	Medium
LGF-5M(x)2-5DNN-NGN	2'	80	37	4,450	4,200	120	114	100-277 VAC / 120-250 VDC	Diffused Polycarbonate	Medium
LGF-4W(x)2-5DNN-NGN	2'	80	37	4,750	4,500	128	122	100-277 VAC / 120-250 VDC	Clear Polycarbonate	Wide

All values typical unless otherwise stated (tolerance +/- 10%)  
 CCT placeholders - C=5000K (cool white), N= 4000K (neutral white)  
 For additional ordering options, please consult factory.

**DISCLAIMER.** All product information provided is, to the best of Dialight's knowledge, accurate as of the date of publication. When ordering, refer to [www.dialight.com](http://www.dialight.com) for current versions of: (a) relevant product documentation (including the relevant product data sheets); (b) Dialight terms and conditions of sale; and, (c) the relevant product warranty. To the extent that any contract is deemed formed between Dialight and the purchaser of Dialight products and/or an end-user, versions of documents available at [www.dialight.com](http://www.dialight.com) as at the date of sale shall be the versions incorporated therein. In the event of any discrepancy between this document or information provided at [www.dialight.com](http://www.dialight.com), the latter shall prevail.

# SafeSite® LED Linear - Top Conduit

## Technical Specifications - 5 year warranty



Dimensions in inches [mm]

### Temperature Ratings

Ambient Temperature Range T4A Temperature Code	Ambient Temperature Range T5 Temperature Code
-40°F to +149°F (-40°C to +65°C)	-40°F to +113°F (-40°C to +45°C)

### Certifications & Ratings

- UL 1598/A
- UL 844
- CSA C22.2 No. 137
- CSA C22.2 No. 250
- IP66
- Class I, Div. 2 Groups A, B, C & D
- Class II, Div. 1 Groups E, F & G
- Class II, Div. 2 Groups F & G
- Class III
- NEMA 4X

### Mechanical Information:

- Fixture weight:** 4' - 10 lb (4.5 kg)  
2' - 7 lb (3.2 kg)
- Shipping weight:** 4' - 11 lb (5.0 kg)  
2' - 8 lb (3.6 kg)
- Mounting:** (3) 3/4" NPT openings  
Optional swivel bracket - LTXW4  
Optional low profile bracket - LTXW4LP

### Electrical Specifications:

- Operating voltage:** 100-277 VAC, 50/60Hz
- Power consumption:** See ordering information
- Operating temp:** -40°F to +149°F (-40°C to +65°C)
- Harmonics:** IEC 61000-3-2
- Noise Requirements/EMC:** FCC Title 47, Subpart B, Section 15, Class A device. RF Immunity; 10V/m, 80MHz-1GHz
- Surge protection:** EN 61000-4-5  
4 kV line-to-line  
4 kV line-to-ground
- THD:** < 20%
- Power factor:** > 0.9

### Construction:

- Finish:** Superior dual coat finish  
- Sealed polyester topcoat  
- Chemical resistant epoxy primer
- Lens:** Polycarbonate

### Photometric Information:

- CRI:** 80
- CCT:** 5000K (cool white)  
4000K (neutral white)
- IES files:** Available at [www.dialight.com](http://www.dialight.com)

All values typical unless otherwise stated (tolerance +/- 10%)

**WARNING - INSTALLATION & SECONDARY RETENTION.** Use of any Dialight products without proper installation (including secondary retention / netting) and periodic inspections could cause severe injury or death. Dialight recommends that all installations should use secondary retention / netting (appropriate to the installation environment) where applicable. It is the exclusive responsibility of the contractor, installer and/or end-user to: (a) determine the suitability of the product for its intended application; and, (b) ensure that the product is safely installed (with secondary retention / netting where appropriate) and in compliance with all applicable laws and regulations. To the extent permissible under applicable laws, Dialight disclaims all liability for personal injury and/or other damage resulting from any dislodgment or other dislocation of its products.

# SafeSite® LED Linear - Top Conduit

## Ordering Information & Accessories - 5 year warranty

Classifications: CID2 A, B, C, D • CIID1 E, F, G • CIID2 F, G • CIII

Part Number	Length	CRI	CID1	CID2	CIID1	CIID2	CIII	Fixture Lumens	Watt	lm/W	Voltage	CCT	Lens	Beam Distribution
<b>Class I, Div. 2 Models</b>														
LTD3C4M2P	4'	80		•		•	•	7,900	60	132	100-277 VAC	5000K (cool white)	Clear	Medium
LTD3C4H2W	4'	80		•		•	•	7,100	60	118	100-277 VAC	5000K (cool white)	Diffused	Medium
LTD3N4M2P	4'	80		•		•	•	7,300	60	122	100-277 VAC	4000K (neutral white)	Clear	Medium
LTD3N4H2W	4'	80		•		•	•	6,700	60	112	100-277 VAC	4000K (neutral white)	Diffused	Medium
LTD3C4D2P	2'	80		•		•	•	3,850	29	133	100-277 VAC	5000K (cool white)	Clear	Medium
LTD3C4B2W	2'	80		•		•	•	3,500	29	121	100-277 VAC	5000K (cool white)	Diffused	Medium
LTD3N4D2P	2'	80		•		•	•	3,600	29	124	100-277 VAC	4000K (neutral white)	Clear	Medium
LTD3N4B2W	2'	80		•		•	•	3,300	29	114	100-277 VAC	4000K (neutral white)	Diffused	Medium
<b>Class II, Div. I Models</b>														
LTF3C4M2P	4'	80			•	•	•	7,900	60	132	100-277 VAC	5000K (cool white)	Clear	Medium
LTF3C4H2W	4'	80			•	•	•	7,100	60	118	100-277 VAC	5000K (cool white)	Diffused	Medium
LTF3N4M2P	4'	80			•	•	•	7,300	60	122	100-277 VAC	4000K (neutral white)	Clear	Medium
LTF3N4H2W	4'	80			•	•	•	6,700	60	112	100-277 VAC	4000K (neutral white)	Diffused	Medium
LTF3C4D2P	2'	80			•	•	•	3,850	29	133	100-277 VAC	5000K (cool white)	Clear	Medium
LTF3C4B2W	2'	80			•	•	•	3,500	29	121	100-277 VAC	5000K (cool white)	Diffused	Medium
LTF3N4D2P	2'	80			•	•	•	3,600	29	124	100-277 VAC	4000K (neutral white)	Clear	Medium
LTF3N4B2W	2'	80			•	•	•	3,300	29	114	100-277 VAC	4000K (neutral white)	Diffused	Medium

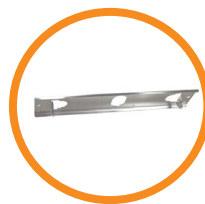
All values typical unless otherwise stated, Lumen values are typical (tolerance +/- 10%).

Part numbers listed in the table above are cool white. For neutral white model, replace the 5th character with N. Ex. LTD3C4D2P becomes LTD3N4D2P



### LTXW4

- Mounting bracket
- Can be angled at 0°, 30°, 45°, 60° & 90°



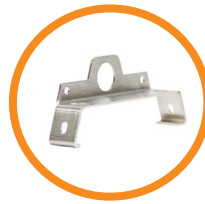
### LTXW4LP

- Mounting bracket
- Can be angled at 0° and 15°



### LTXSAFEKIT

- Stainless steel safety cable kit for secondary retention



### LTXENDCAPKIT

- 304 Stainless steel chain mount and secondary retention bracket



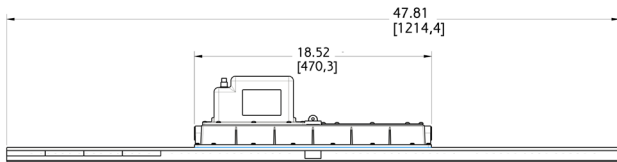
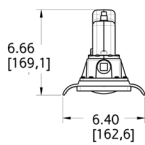
### LTXLSXW4

- Retrofit bracket adapter used to connect LTM model fixtures to an existing LSXW4 bracket

**DISCLAIMER.** All product information provided is, to the best of Dialight's knowledge, accurate as of the date of publication. When ordering, refer to [www.dialight.com](http://www.dialight.com) for current versions of: (a) relevant product documentation (including the relevant product data sheets); (b) Dialight terms and conditions of sale; and, (c) the relevant product warranty. To the extent that any contract is deemed formed between Dialight and the purchaser of Dialight products and/or an end-user, versions of documents available at [www.dialight.com](http://www.dialight.com) as at the date of sale shall be the versions incorporated therein. In the event of any discrepancy between this document or information provided at [www.dialight.com](http://www.dialight.com), the latter shall prevail.

# SafeSite® LED Linear - Battery Backup

## Technical Specifications - 5 year warranty



Dimensions in inches [mm]

### Temperature Ratings

Ambient Temperature Range T4A Temperature Code	Ambient Temperature Range T5 Temperature Code
-4°F to +149°F (-20°C to +65°C)	-4°F to +113°F (-20°C to +45°C)

### Certifications & Ratings

- UL 1598/A
- UL 844
- UL 924
- CSA C22.2 No. 137
- CSA C22.2 No. 250
- IP66
- Class I, Div. 2 Groups A, B, C & D
- Class II, Div. 1 Groups E, F & G
- Class II, Div. 2 Groups F & G
- Class III
- NEMA 4X

### Mechanical Information:

- Fixture weight:** 18 lb (8.2 kg)
- Shipping weight:** 21 lb (9.5 kg)
- Mounting:** (1) Threaded 3/4" NPT side  
(2) Threaded 3/4" NPT ends

### Electrical Specifications:

- Operating voltage:** 120-277 VAC, 50/60Hz
- Power consumption:** 85W
- Operating temp:** -4°F to +149°F (-20°C to +65°C)
- Battery:** 3.6V 10Ah NiMH
- Expected battery life\*:** 3 years
- Battery duration\*:** > 3 hours
- Harmonics:** IEC 61000-3-2
- Noise Requirements/EMC:** FCC Title 47, Subpart B, Section 15, Class A device. RF Immunity; 10V/m, 80MHz-1GHz
- Surge protection:** EN 61000-4-5  
1 kV line-to-line  
2 kV line-to-ground
- THD:** < 20%
- Power factor:** > 0.9

### Construction:

- Finish:** Superior dual coat finish  
- Sealed polyester topcoat  
- Chemical resistant epoxy primer
- Lens:** Polycarbonate

### Photometric Information:

- Light output in emergency mode:** 450 lumens
- CRI:** 75
- CCT:** 5000K (cool white)
- IES files:** available at [www.dialight.com](http://www.dialight.com)

All values typical unless otherwise stated (tolerance +/- 10%)

\* @ 25°C ambient

**WARNING - INSTALLATION & SECONDARY RETENTION.** Use of any Dialight products without proper installation (including secondary retention / netting) and periodic inspections could cause severe injury or death. Dialight recommends that all installations should use secondary retention / netting (appropriate to the installation environment) where applicable. It is the exclusive responsibility of the contractor, installer and/or end-user to: (a) determine the suitability of the product for its intended application; and, (b) ensure that the product is safely installed (with secondary retention / netting where appropriate) and in compliance with all applicable laws and regulations. To the extent permissible under applicable laws, Dialight disclaims all liability for personal injury and/or other damage resulting from any dislodgment or other dislocation of its products.

# SafeSite® LED Linear - Battery Backup

## Ordering Information & Accessories - 5 year warranty

Classifications: CID2 A, B, C, D • CIID1 E, F, G • CIID2 F, G • CIID1 • CIID2

This fixture is offered in sustained and maintained configurations.

Sustained has a single AC input and battery backup mode is entered upon any loss of power. Fixture cannot be turned off without entering battery backup mode. Maintained has two AC inputs. The fixture can be turned on and off via AC-1 and Fixture only enters battery backup mode when AC-2 is lost or low.

Part Number	Length	CRI	Type	CID2	CIID1	CIID2	CIII	Voltage	Lens	CCT	Fixture Lumens	Watt	lm/W	Beam Distribution
Class I, Div. 2 Models														
LSD3C4MEP	4'	75	Sustained	•				120-277 VAC	Clear	5000K (cool white)	7,000	85	82	Medium
LSD3C4MNP	4'	75	Maintained	•				120-277 VAC	Clear	5000K (cool white)	7,000	85	82	Medium
Class II Models														
LSF3C4MEP	4'	75	Sustained		•	•	•	120-277 VAC	Clear	5000K (cool white)	7,000	85	82	Medium
LSF3C4MNP	4'	75	Maintained		•	•	•	120-277 VAC	Clear	5000K (cool white)	7,000	85	82	Medium

All values typical unless otherwise stated, Lumen values are typical (tolerance +/- 10%). Part numbers listed in the above table are cool white. For neutral white models replace the 5th character with N. Ex. LSF3C4MEP becomes LSF3N4MEP



- LSXW4**
- Mounting bracket
  - Can be angled at 0°, 30°, 45°, 60° & 90°



- LSXENDCAPKIT**
- Chain mount brackets

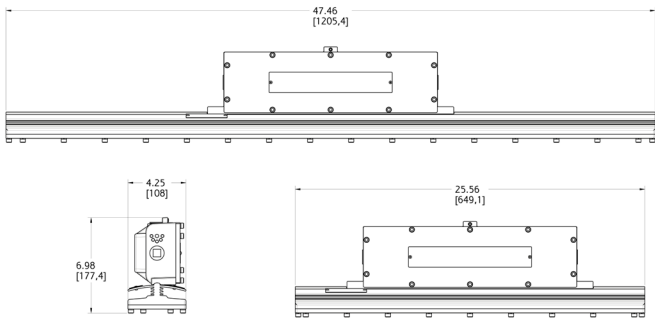


- HZXSAFEKIT**
- Safety cable kit

DISCLAIMER. All product information provided is, to the best of Dialight's knowledge, accurate as of the date of publication. When ordering, refer to [www.dialight.com](http://www.dialight.com) for current versions of: (a) relevant product documentation (including the relevant product data sheets); (b) Dialight terms and conditions of sale; and, (c) the relevant product warranty. To the extent that any contract is deemed formed between Dialight and the purchaser of Dialight products and/or an end-user, versions of documents available at [www.dialight.com](http://www.dialight.com) as at the date of sale shall be the versions incorporated therein. In the event of any discrepancy between this document or information provided at [www.dialight.com](http://www.dialight.com), the latter shall prevail.

# SafeSite® LED Linear - Class I, Div. 1

## Technical Specifications - 5 year warranty



Dimensions in inches [mm]

### Temperature Ratings

Ambient Temperature Range T4A Temperature Code	Ambient Temperature Range T5 Temperature Code
-40°F to +149°F (-40°C to +65°C)	-40°F to +113°F (-40°C to +45°C)

### Certifications & Ratings

- UL1598
- UL844
- CSA C22.2 No. 137
- Class I, Div. 1 Groups C & D
- IP66
- NEMA 4X

### Mechanical Information:

- Fixture weight:** 4' - 26 lb (11.8 kg)  
2' - 17.5 lb (7.9 kg)
- Shipping weight:** 4' - 28 lb (12.7 kg)  
2' - 19.5 lb (8.8 kg)
- Mounting:** (1) Threaded 3/4" NPT side  
(2) Threaded 3/4" NPT ends

### Electrical Specifications:

- Operating voltage:** 100-277 VAC, 50/60Hz or 347/480 VAC, 50/60Hz
- Power consumption:** See ordering information
- Operating temp:** -40°F to +149°F (-40°C to +65°C)
- Harmonics:** IEC 61000-3-2
- Noise Requirements/EMC:** FCC Title 47, Subpart B, Section 15, Class A device. RF Immunity; 10V/m, 80MHz-1GHz
- Surge protection:** EN 61000-4-5  
4 kV line-to-line  
4 kV line-to-ground
- THD:** < 20%
- Power factor:** > 0.9

### Construction:

- Finish:** Superior dual coat finish  
- Sealed polyester topcoat  
- Chemical resistant epoxy primer
- Lens:** Tempered Glass

### Photometric Information:

- CRI:** 75
- CCT:** 5000K (cool white)  
400K (neutral white)
- IES files:** Available upon request

All values typical unless otherwise stated (tolerance +/- 10%)

**WARNING - INSTALLATION & SECONDARY RETENTION.** Use of any Dialight products without proper installation (including secondary retention / netting) and periodic inspections could cause severe injury or death. Dialight recommends that all installations should use secondary retention / netting (appropriate to the installation environment) where applicable. It is the exclusive responsibility of the contractor, installer and/or end-user to: (a) determine the suitability of the product for its intended application; and, (b) ensure that the product is safely installed (with secondary retention / netting where appropriate) and in compliance with all applicable laws and regulations. To the extent permissible under applicable laws, Dialight disclaims all liability for personal injury and/or other damage resulting from any dislodgment or other dislocation of its products.

# SafeSite® LED Linear - Class I, Div. 1

## Ordering Information & Accessories - 5 year warranty

Classifications: CID1 C, D

Part Number	Length	CRI	CID1	CID2	CIID1	CIID2	CIII	Voltage	Lens	CCT	Fixture Lumens	Watt	lm/W	Beam Distribution
<b>100-277 VAC Models</b>														
LSC3C4M3GEX	4'	75	•					100-277 VAC	Tempered glass	5000K (cool white)	7,250	68	106	Medium
LSC3C4D3GEX	2'	75	•					100-277 VAC	Tempered glass	5000K (cool white)	3,600	34	106	Medium
<b>347/480 VAC Models</b>														
LSC3C5M3GEX	4'	75	•					347/480 VAC	Tempered glass	5000K (cool white)	7,250	100	72	Medium
LSC3C5D3GEX	2'	75	•					347/480 VAC	Tempered glass	5000K (cool white)	3,600	50	72	Medium

All values typical unless otherwise stated, Lumen values are typical (tolerance +/- 10%).

Part numbers listed in the table above are cool white. For neutral white, model replace the 5th character with N. Ex. LSC3C4D3GEX becomes LSC3N4D3GEX



### LSXW5

- Aluminum mounting bracket
- Can be angled at 0°, 30°, 45°, 60° & 90



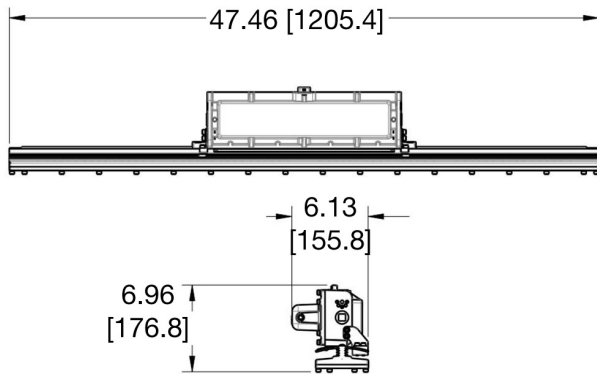
### HZXSAFEKIT

- Stainless steel safety cable kit

**DISCLAIMER.** All product information provided is, to the best of Dialight's knowledge, accurate as of the date of publication. When ordering, refer to [www.dialight.com](http://www.dialight.com) for current versions of: (a) relevant product documentation (including the relevant product data sheets); (b) Dialight terms and conditions of sale; and, (c) the relevant product warranty. To the extent that any contract is deemed formed between Dialight and the purchaser of Dialight products and/or an end-user, versions of documents available at [www.dialight.com](http://www.dialight.com) as at the date of sale shall be the versions incorporated therein. In the event of any discrepancy between this document or information provided at [www.dialight.com](http://www.dialight.com), the latter shall prevail.

# SafeSite® LED Linear - Battery Backup - Class I, Div. 1

## Technical Specifications - 5 year warranty



Dimensions in inches [mm]

### Temperature Ratings

Ambient Temperature Range T4A Temperature Code

-4°F to +149°F (-20°C to +65°C)

### Certifications & Ratings

- UL 1598/A
- UL 844
- CSA C22.2 No. 137
- CSA C22.2 No. 250
- Class I, Div. 1 Groups C & D
- Class I, Div. 2 Groups A, B, C & D
- IP66
- NEMA 4X

### Mechanical Information:

<b>Fixture weight:</b>	32 lb (14.5 kg)
<b>Shipping weight:</b>	35 lb (15.9 kg)
<b>Mounting:</b>	(1) Threaded 3/4" NPT side (2) Threaded 3/4" NPT ends

### Electrical Specifications:

<b>Operating voltage:</b>	120-277 VAC, 50/60Hz
<b>Power consumption:</b>	85W
<b>Operating temp:</b>	-4°F to +149°F (-20°C to +65°C)
<b>Battery:</b>	3.6V 10Ah NiMH
<b>Expected battery life*:</b>	3 years
<b>Lumen output in battery mode:</b>	500lm
<b>Battery duration*:</b>	> 3 hours
<b>Harmonics:</b>	IEC 61000-3-2
<b>Noise Requirements/EMC:</b>	FCC Title 47, Subpart B, Section 15, Class A device. RF Immunity; 10V/m, 80MHz-1GHz
<b>Surge protection:</b>	EN 61000-4-5 1 kV line-to-line 2 kV line-to-ground
<b>THD:</b>	< 20%
<b>Power factor:</b>	> 0.9

### Construction:

<b>Finish:</b>	Superior dual coat finish - Sealed polyester topcoat - Chemical resistant epoxy primer
<b>Lens:</b>	Tempered glass

### Photometric Information:

<b>CRI:</b>	75
<b>CCT:</b>	5000K (cool white)
<b>IES files:</b>	available at <a href="http://www.dialight.com">www.dialight.com</a>

All values typical unless otherwise stated (tolerance +/- 10%)

\* @ 25°C ambient

# SafeSite<sup>®</sup> LED Linear - Battery Backup - Class I, Div. 1

## Ordering Information & Accessories - 5 year warranty

Classifications: CID1 Groups C, D

Part Number	Length	CRI	Type	CID1	CID2	CIID1	CIID2	CIIL	Voltage	Lens	CCT	Fixture Lumens	Watt	lm/W	Beam Distribution
Class I, Div. 1 Model															
LSC3C4MEGEX	4'	75	Sustained	•	•				120-277 VAC	Clear	5000K (cool white)	7,250	85	85	Medium

All values typical unless otherwise stated (tolerance +/- 10%).

Part numbers listed in the table above are cool white. For neutral white models, replace the 5th character with an **N**.



**LSXW5**

- Aluminum mounting bracket
- Can be angled at 0°, 30°, 45°, 60° & 90



**HZXSAFEKIT**

- Stainless steel safety cable kit

DISCLAIMER. All product information provided is, to the best of Dialight's knowledge, accurate as of the date of publication. When ordering, refer to [www.dialight.com](http://www.dialight.com) for current versions of: (a) relevant product documentation (including the relevant product data sheets); (b) Dialight terms and conditions of sale; and, (c) the relevant product warranty. To the extent that any contract is deemed formed between Dialight and the purchaser of Dialight products and/or an end-user, versions of documents available at [www.dialight.com](http://www.dialight.com) as at the date of sale shall be the versions incorporated therein. In the event of any discrepancy between this document or information provided at [www.dialight.com](http://www.dialight.com), the latter shall prevail.

# SafeSite® LED RTO Area Light

## Technical Specifications



### Ratings and Certifications

• UL 1598/A	• UL 50E
• UL 844	• CID2 A,B,C,D
• CSA C22.2 No. 250	• CID1 E,F,G
• CSA C22.2 No. 137-M81	• CID2 F,G
• IP66	• 5 year warranty
• NEMA 4X	• L70 rated for >150,000 hours

\*All features not available on every model. Please refer to product part number pages for model specifics.

### Temperature Ratings

Ambient Temperature Range T3C Temperature Code

-40°F to +131°F (-40°C to +55°C)

### Mechanical Information

<b>Fixture weight:</b>	
RTO0Wxx001:	2.5 lb (1.13 kg)
RTO0Wxx005:	3.2 lb (1.45 kg)
RTO0Wxx004:	0.8 lb (0.36 kg)
<b>Shipping weight:</b>	
RTO0Wxx001:	3.0 lb (1.36 kg)
RTO0Wxx005:	4.5 lb (2.04 kg)
RTO0Wxx004:	1.4 lb (0.64 kg)
<b>Mounting:</b> Secondary retention not available	
Pendant mount:	1" & 3/4" NPT reducer bi-directional mounting
Ceiling mount:	3/4" NPT 5-way surface mounting
Pendant mount:	3/4" NPT-threaded conduit

### Specifications

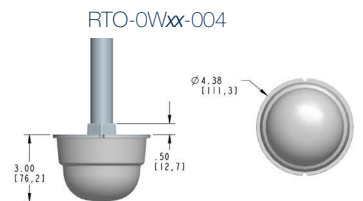
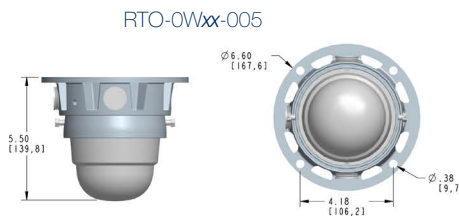
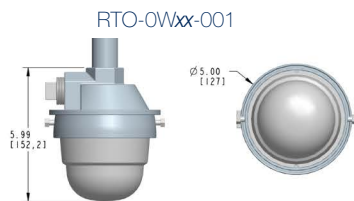
<b>Voltage options:</b>	100-277 VAC	<b>Housing:</b>	Copper-free aluminum
	24 - 48 VDC		<b>Lens:</b>
<b>Operating temp:</b>	-40°F to +133°F	<b>CRI:</b>	75
	(-40°C to +55°C)		<b>CCT:</b>
<b>Power factor:</b>	>0.9	<b>Surge protection:</b>	1kV line-to-line
<b>THD:</b>	<20%		2kV line-to-ground

### Comparison

	Warranty	L70	T-Rating
Dialight LED RTO Area Light	5yr	>150,000	T3C
Incandescent	1	6,000	T2B
CFL	1	20,000	T3

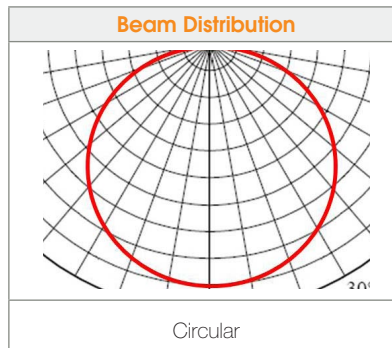
Lumens	Wattage	lm/W	Mounting Heights
800	8	100	15' and lower
470	8	59	

### Dimensions



Dimensions in mm [inches]

### Beam Distribution



Circular

**WARNING - INSTALLATION & SECONDARY RETENTION.** Use of any Dialight products without proper installation (including secondary retention / netting) and periodic inspections could cause severe injury or death. Dialight recommends that all installations should use secondary retention / netting (appropriate to the installation environment) where applicable. It is the exclusive responsibility of the contractor, installer and/or end-user to: (a) determine the suitability of the product for its intended application; and, (b) ensure that the product is safely installed (with secondary retention / netting where appropriate) and in compliance with all applicable laws and regulations. To the extent permissible under applicable laws, Dialight disclaims all liability for personal injury and/or other damage resulting from any dislodgment or other dislocation of its products.

# SafeSite® LED RTO Area Light

## Ordering Information & Accessories

Classifications: CID2 Groups A, B, C, D • CIID1 E,F,G • CIID2 F,G

Part Number	Type	CID1	CID2	CIID1	CIID2	CIII	Voltage	Lens	CCT	Fixture Lumens	Watt	lm/W	Beam Distribution
<b>Standard Models - 100-277 VAC</b>													
RTODW17005	Ceiling mount with junction box			•	•		100-277 VAC	Polycarbonate	6000K (cool white)	800	8	100	Circular
RTODW17004	Pendant mount			•	•		100-277 VAC	Polycarbonate	6000K (cool white)	800	8	100	Circular
RTODW17001	Pendant mount with junction box			•	•		100-277 VAC	Polycarbonate	6000K (cool white)	800	8	100	Circular
RTO2W17005	Ceiling mount with junction box		•				100-277 VAC	Polycarbonate	6000K (cool white)	800	8	100	Circular
RTO2W17004	Pendant mount		•				100-277 VAC	Polycarbonate	6000K (cool white)	800	8	100	Circular
RTO2W17001	Pendant mount with junction box		•				100-277 VAC	Polycarbonate	6000K (cool white)	800	8	100	Circular
RTODW07005	Ceiling mount with junction box			•	•		100-277 VAC	Polycarbonate	6000K (cool white)	470	8	59	Circular
RTODW07004	Pendant mount			•	•		100-277 VAC	Polycarbonate	6000K (cool white)	470	8	59	Circular
RTODW07001	Pendant mount with junction box			•	•		100-277 VAC	Polycarbonate	6000K (cool white)	470	8	59	Circular
RTO2W07005	Ceiling mount with junction box		•				100-277 VAC	Polycarbonate	6000K (cool white)	470	8	59	Circular
RTO2W07004	Pendant mount		•				100-277 VAC	Polycarbonate	6000K (cool white)	470	8	59	Circular
RTO2W07001	Pendant mount with junction box		•				100-277 VAC	Polycarbonate	6000K (cool white)	470	8	59	Circular
<b>Standard Models - 24-48 VDC</b>													
RTODW18005	Ceiling mount with junction box			•	•		24-48 VDC	Polycarbonate	6000K (cool white)	800	8	100	Circular
RTODW18004	Pendant mount			•	•		24-48 VDC	Polycarbonate	6000K (cool white)	800	8	100	Circular
RTODW18001	Pendant mount with junction box			•	•		24-48 VDC	Polycarbonate	6000K (cool white)	800	8	100	Circular
RTO2W18005	Ceiling mount with junction box		•				24-48 VDC	Polycarbonate	6000K (cool white)	800	8	100	Circular
RTO2W18004	Pendant mount		•				24-48 VDC	Polycarbonate	6000K (cool white)	800	8	100	Circular
RTO2W18001	Pendant mount with junction box		•				24-48 VDC	Polycarbonate	6000K (cool white)	800	8	100	Circular
RTODW08005	Ceiling mount with junction box			•	•		24-48 VDC	Polycarbonate	6000K (cool white)	470	8	59	Circular
RTODW08004	Pendant mount			•	•		24-48 VDC	Polycarbonate	6000K (cool white)	470	8	59	Circular
RTODW08001	Pendant mount with junction box			•	•		24-48 VDC	Polycarbonate	6000K (cool white)	470	8	59	Circular
RTO2W08005	Ceiling mount with junction box		•				24-48 VDC	Polycarbonate	6000K (cool white)	470	8	59	Circular
RTO2W08004	Pendant mount		•				24-48 VDC	Polycarbonate	6000K (cool white)	470	8	59	Circular
RTO2W08001	Pendant mount with junction box		•				24-48 VDC	Polycarbonate	6000K (cool white)	470	8	59	Circular

All values typical unless otherwise stated (tolerance +/- 10%).



### Pendant Mount

- 3/4" NPT-threaded conduit



### Pendant Mount with Junction Box

- 1" & 3/4" NPT reducer bi-directional mounting



### Ceiling Mount with Junction Box

- 3/4" 5-way surface mounting



### RTO1000

- Flush wall mount



### RTO1001

- Junction box wall mount

**DISCLAIMER.** All product information provided is, to the best of Dialight's knowledge, accurate as of the date of publication. When ordering, refer to [www.dialight.com](http://www.dialight.com) for current versions of: (a) relevant product documentation (including the relevant product data sheets); (b) Dialight terms and conditions of sale; and, (c) the relevant product warranty. To the extent that any contract is deemed formed between Dialight and the purchaser of Dialight products and/or an end-user, versions of documents available at [www.dialight.com](http://www.dialight.com) as at the date of sale shall be the versions incorporated therein. In the event of any discrepancy between this document or information provided at [www.dialight.com](http://www.dialight.com), the latter shall prevail.

# StreetSense® LED Streetlight

## Technical Specifications



### Ratings and Certifications

- UL 1598/A
- UL 1012
- UL 1449
- 7 year warranty
- NEMA 4X
- IP66
- CSA C22.2 No. 250-08
- L70 rated for >150,000 hours

\*All features not available on every model. Please refer to product part number pages for model specifics.

### Mechanical Information

<b>Fixture weight:</b>	
65W/83W:	16 lb (7.3 kg)
131W/165W:	25 lb (11.3 kg)
190W/252W:	34 lb (15.4 kg)
<b>Shipping weight:</b>	
65W/83W:	21 lb (9.5 kg)
131W/165W:	30 lb (13.6 kg)
190W/252W:	39 lb (17.7 kg)
<b>Mounting:</b>	Accommodates 1.25" (1.66" OD) - 2" (2.375" OD) 31.75mm (42.16mm OD) - 50.8mm (60.32mm OD) pipe. Provision for adjustment of +/- 5° at 2.5° increments
	Secondary retention standard

### Specifications

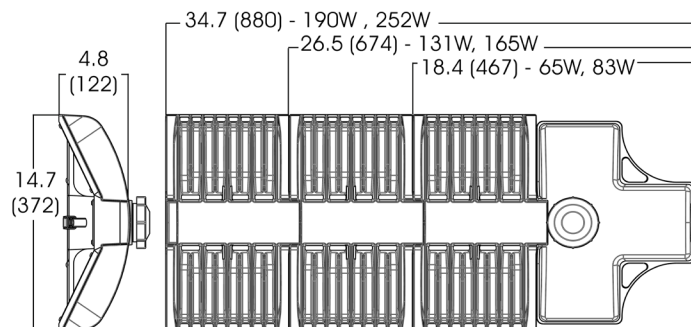
<b>Voltage options:</b>	100-277 VAC 347-480 VAC	<b>Housing:</b>	Copper-free aluminum
<b>Operating temp:</b>	-40°F to +149°F (-40°C to +65°C)	<b>Lens:</b>	Tempered glass
<b>Power factor:</b>	>0.9	<b>CRI:</b>	75
<b>THD:</b>	<20%	<b>CCT:</b>	5000K (cool white) 4300K (neutral white)
<b>Surge protection:</b>	Open circuit surge protection 10kV standard per ANSI/IEEE C62.41. 2.2002 cat C high	<b>EPA (Sq. ft)</b>	
		65W / 83W:	0.60
		131W / 165W:	0.87
		190W / 252W:	1.13

### Comparison

	Warranty	L70
Dialight LED Street Light	7yr	>150,000
Metal Halide	1	6,000
High Pressure Sodium	1	20,000

Lumens	Wattage	lm/W	Mounting Heights
20,250	252	80	50'
16,000	190	84	
13,300	165	81	
10,900	131	83	
6,800	83	82	
5,500	65	85	
			15'

### Dimensions



Dimension in inches [mm]

**WARNING - INSTALLATION & SECONDARY RETENTION.** Use of any Dialight products without proper installation (including secondary retention / netting) and periodic inspections could cause severe injury or death. Dialight recommends that all installations should use secondary retention / netting (appropriate to the installation environment) where applicable. It is the exclusive responsibility of the contractor, installer and/or end-user to: (a) determine the suitability of the product for its intended application; and, (b) ensure that the product is safely installed (with secondary retention / netting where appropriate) and in compliance with all applicable laws and regulations. To the extent permissible under applicable laws, Dialight disclaims all liability for personal injury and/or other damage resulting from any dislodgment or other dislocation of its products.

# StreetSense® LED Streetlight

## Ordering Information & Accessories

Part Number	Number of Light Engines	EPA (SQ. ft)	Lens	CCT	Fixture Lumens	Wattage	LPW	Optical Pattern
<b>Standard Models - 100-277 VAC</b>								
SL3C5SLGG	3	1.13	Tempered glass	5000K (cool white)	23,400	228	103	Type III
SL3C5RLGG	3	1.13	Tempered glass	5000K (cool white)	18,700	182	103	Type III
SL3C5ILGG	2	0.87	Tempered glass	5000K (cool white)	15,600	156	100	Type III
SL3C5HLGG	2	0.87	Tempered glass	5000K (cool white)	12,500	125	100	Type III
SL3C5DLGG	1	0.60	Tempered glass	5000K (cool white)	7,800	78	100	Type III
SL3C5CLGG	1	0.60	Tempered glass	5000K (cool white)	6,400	62	103	Type III
<b>Standard Models - 347-480 VAC</b>								
SL3C7SLGG	3	1.13	Tempered glass	5000K (cool white)	22,000	218	101	Type III
SL3C7RLGG	3	1.13	Tempered glass	5000K (cool white)	18,900	180	105	Type III
SL3C7ILGG	2	0.87	Tempered glass	5000K (cool white)	15,700	154	102	Type III
SL3C7HLGG	2	0.87	Tempered glass	5000K (cool white)	12,500	121	103	Type III
SL3C7DLGG	1	0.6	Tempered glass	5000K (cool white)	7,800	77	102	Type III
SL3C7CLGG	1	0.6	Tempered glass	5000K (cool white)	6,400	61	106	Type III

All values typical unless otherwise stated (tolerance +/- 10%).

Part numbers listed in the table above are cool white. For neutral white models, replace the 4th character with an **N**.



### SLSHIELDKIT

- House side shield



### SL-PC01R

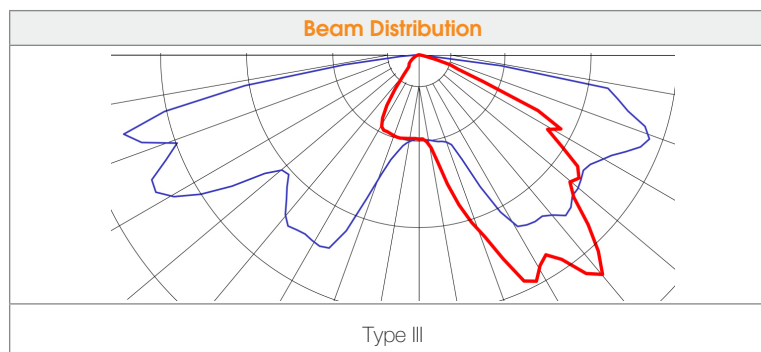
- 105 - 305V AC Photocontroller

### SL-PC02R

- 312 - 382V AC Photocontroller

### SL-PC03R

- 432 - 528V AC Photocontroller



**DISCLAIMER.** All product information provided is, to the best of Dialight's knowledge, accurate as of the date of publication. When ordering, refer to [www.dialight.com](http://www.dialight.com) for current versions of: (a) relevant product documentation (including the relevant product data sheets); (b) Dialight terms and conditions of sale; and, (c) the relevant product warranty. To the extent that any contract is deemed formed between Dialight and the purchaser of Dialight products and/or an end-user, versions of documents available at [www.dialight.com](http://www.dialight.com) as at the date of sale shall be the versions incorporated therein. In the event of any discrepancy between this document or information provided at [www.dialight.com](http://www.dialight.com), the latter shall prevail.

# Obstruction LED Lighting Solutions

## FAA Approved Obstruction Lighting Solutions



### Red LED Systems: L-864 and L-810

#### Features & Benefits

- Infrared (IR) models available for improved visibility to night vision goggles
- Integrated controller
- 5 year warranty
- Universal 120-240 VAC input
- Controller can be mounted at the base of the structure
- NEMA 4X outdoor rated enclosure
- Wide temperature range: -40°C to +55°C
- Configurable flash rates (20, 30, or 40 flashes per minute)
- Ability to operate lights in steady or flashing mode
- Optional infrared light fixtures
- Light weight design
- Low power consumption
- IP66 rated light fixtures
- Impact and vibration resistant
- Provision for padlock on the enclosure
- Dry contacts for alarm monitoring/status
  - Photocell alarm
  - L-810 / L-864 light alarms
  - Operation mode (day/night)
  - Communication alarm
  - Sync alarm
  - Power fail alarm



### Dual (Red / White) LED Systems: L-865 and L-864

#### Features & Benefits

- Infrared (IR) version available for improved visibility to Night Vision Goggles
- Integrated controller with LCD back-lit display
- Optional Ethernet / Cellular based remote monitoring / control system available
- 5 year warranty
- Ability to flash side markers
- Universal 120-240 VAC input or +/-48 VDC input
- Controller can be mounted at the base of the structure
- NEMA 4X outdoor rated enclosure
- Wide temperature range: -40°C to +55°C
- Light weight design
- Low power consumption
- IP66 rated light fixtures
- Impact and vibration resistant
- Provisions for padlock on the enclosure
- Dry contacts for alarm monitoring/status
  - Photocell alarm
  - Communication alarm
  - Sync alarm
  - Operation mode (day/night)
  - White mode alarm
  - Red mode alarm
  - Power fail alarm



### White LED Systems: L-865

#### Features & Benefits

- Integrated controller with LCD back-lit display
- Optional Ethernet / Cellular based remote monitoring / control system available
- 5 year warranty
- Universal 120-240 VAC input or +/-48 VDC input
- Controller can be mounted at the base of the structure
- NEMA 4X outdoor rated enclosure
- Wide temperature range: -40°C to +55°C
- Light weight design
- Low power consumption
- IP66 rated light fixtures
- Impact and vibration resistant
- Provisions for padlock on the enclosure
- Dry contacts for alarm monitoring/status
  - Photocell alarm
  - Communication alarm
  - Sync alarm
  - Operation mode (day/night)
  - White mode alarm
  - Power fail

**DISCLAIMER.** All product information provided is, to the best of Dialight's knowledge, accurate as of the date of publication. When ordering, refer to [www.dialight.com](http://www.dialight.com) for current versions of: (a) relevant product documentation (including the relevant product data sheets); (b) Dialight terms and conditions of sale; and, (c) the relevant product warranty. To the extent that any contract is deemed formed between Dialight and the purchaser of Dialight products and/or an end-user, versions of documents available at [www.dialight.com](http://www.dialight.com) as at the date of sale shall be the versions incorporated therein. In the event of any discrepancy between this document or information provided at [www.dialight.com](http://www.dialight.com), the latter shall prevail.

# Obstruction LED Lighting Solutions

## FAA Approved Obstruction Lighting Solutions



### High Intensity LED Systems: L-856 / L864

#### Features & Benefits

- Integrated controller
- 5 year warranty
- Universal 208-277 VAC input
- Controller can be mounted at the base of the structure
- NEMA 4X outdoor rated enclosures
- Wide temperature range: -40°C to +55°C
- Low power consumption
- IP66 rated light fixtures
- Impact and vibration resistant
- Provision for padlock on the enclosure
- Effective intensity / power consumption
  - White Day = 270,000cd (160W)
  - White Twilight = 20,000cd (30W)
  - White Night = 2,000cd (23W)
  - Red Night = 2,000cd (30W)
- Dry contacts for alarm monitoring/status
  - Photocell alarm
  - Communication alarm
  - Sync alarm
  - Operation mode (day/night)
  - White mode alarm
  - Red mode alarm
  - Power fail alarm



### Wind LED Lighting Systems

#### Features & Benefits

- Controller integrated into flashhead
- Integrated Photocell
- Integrated Flasher
- 5 year warranty
- Universal 120-240 VAC input
- Wide temperature range: -40°C to +55°C
- Low power consumption
- IP66 rated light fixtures
- Impact and vibration resistant
- Dry contacts for alarm monitoring/status

**DISCLAIMER.** All product information provided is, to the best of Dialight's knowledge, accurate as of the date of publication. When ordering, refer to [www.dialight.com](http://www.dialight.com) for current versions of: (a) relevant product documentation (including the relevant product data sheets); (b) Dialight terms and conditions of sale; and, (c) the relevant product warranty. To the extent that any contract is deemed formed between Dialight and the purchaser of Dialight products and/or an end-user, versions of documents available at [www.dialight.com](http://www.dialight.com) as at the date of sale shall be the versions incorporated therein. In the event of any discrepancy between this document or information provided at [www.dialight.com](http://www.dialight.com), the latter shall prevail.

## North American HQ

1501 Route 34 South  
Farmingdale, NJ 07727  
Tel: 732-919-3119  
Fax: 732-751-5778  
info@dialight.com

## Australia

108 Howe Street  
Osborne Park, WA 6017  
Tel: +61 (0) 8 9244 7600  
Fax: +61 (0) 8 9244 7601  
info@dialight.com.au

## Dialight Europe Ltd

Leaf C, Level 36, Tower 42  
25 Old Broad Street  
London, EC2N 1HQ, United Kingdom  
Tel: +44 (0) 203 058 3540  
Customer Service: +44 (0) 163 866 6541  
sales-emea@dialight.com

## Middle East

Level 23 – Boulevard Plaza Tower 2  
Emaar Boulevard, Dubai, U.A.E.  
P.O. Box 124342  
Tel: +971 (4) 409-6962  
Fax: +971 (4) 409-6850

## Southeast Asia

33 Ubi Avenue 3  
#07-72 Vertex (Tower A)  
Singapore 408868  
Tel: +65 6578 7157  
Fax: +65 6578 7150  
enquiry@dialight.com.sg

## Brazil

Alameda Mercurio  
225 – American Park Empresarial NR  
Indaiatuba – SP – 13347– 662  
Tel: +55 (19) 3113 - 4300  
Fax: +55 (19) 3113 - 4300  
brasil@dialight.com

### WARNING / DISCLAIMERS:

**Installation & secondary retention.** The use of this product without proper installation (including secondary retention / netting) and periodic inspections, could cause severe injury or death. Dialight recommends that all installations should use secondary retention / netting (appropriate to the installation environment) as applicable. Dialight products are intended for ultimate purchase, installation and operation by knowledgeable persons trained in the functional assessment, installation, use and maintenance of such products and all customers (including but not limited to end customers) are responsible for assessing the suitability of Dialight products for any given installation requirement. It is the exclusive responsibility of the contractor, installer and/or end-user to: (a) determine the suitability of the product for its intended application; and, (b) ensure that the product is safely installed (with secondary retention / netting as appropriate) and in compliance with all applicable laws and regulations.

**Product specifications & warranties.** All product information provided is, to the best of Dialight's knowledge, accurate as of the date of publication. All values and performance data herein are design or typical values when measured under laboratory conditions. The information herein is subject to change without notice. The products / software detailed herein are subject to applicable warranties and terms and conditions of use/purchase. Unless agreed otherwise in writing by an authorized representative of Dialight, Dialight does not represent that its products are fit for any particular purpose and accepts no liability for the installation and/or unauthorised use of its products. When ordering, refer to [www.dialight.com](http://www.dialight.com) for current versions of: (a) relevant product documentation (including relevant product data sheets); (b) Dialight terms and conditions of sale; and, (c) the relevant product warranties. To the extent that any contract is deemed formed between Dialight and the purchaser of Dialight products and/or an end-user, versions of documents available at [www.dialight.com](http://www.dialight.com) as at the date of sale shall be the versions incorporated therein. In the event of any discrepancy between this document and information provided at [www.dialight.com](http://www.dialight.com), the latter shall prevail.

**Exclusion of liability.** To the extent permissible under the relevant law, Dialight disclaims all liability for personal injury and/or other damage resulting from any dislodgment or other dislocation of its products. Whilst Dialight has used its reasonable endeavours to ensure the completeness and accuracy of information herein, Dialight does not assume any liability for damages resulting from use of this information or for any third-party representations made in relation to Dialight products.

