

.....Dialight



**DuroSite® LED RTO Area Light - UL / CSA**  
for Indoor and Outdoor Industrial Applications

DECEMBER 2021





## Features & Benefits

- 5 year warranty
- L70 rated for >100,000 hours @ 25°C ambient
- Superior color rendition index compared to HPS, LPS, MV
- Resistant to shock and vibration
- Weather/corrosion resistant lamp assembly and housing
- Temperature compensation technology for longer life
- Factory sealed

## Application

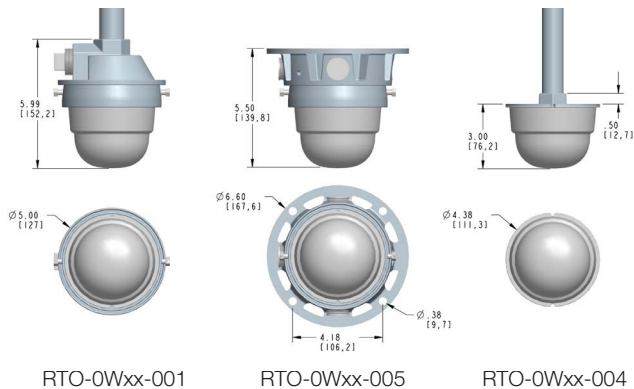
Dialight introduces the new state-of-the-art fixture for industrial general lighting. Its rugged solid state design creates a new era where failed lamps and expensive relamping costs become a thing of the past. The DuroSite LED Downlight incorporates cutting edge LED technology and is the most efficient light source available for industrial lighting applications. fixture offers improved

## DuroSite LED RTO Area Light - UL / CSA Standard Models



### Certifications & Ratings

- 5 year warranty
- UL 1598
- IP66



Dimensions in inches [mm]

### Mechanical Information:

**Fixture weight:** RTO0Wxx001: 2.5 lbs (1.13 kg)  
RTO0Wxx005: 3.2 lbs (1.45 kg)  
RTO0Wxx004: 0.8 lbs (0.36 Kg)

**Shipping weight:** RTO0Wxx001: 3.0 lbs (1.36 kg)  
RTO0Wxx005: 4.5 lbs (2.04 kg)  
RTO0Wxx004: 1.4 lbs (0.64 Kg)

### Mounting:

Pendant Mount: 1" & 3/4" NPT reducer bi-directional  
Ceiling Mount: 3/4" NPT 5-way surfac  
Pendant Mount: 3/4" NPT threaded conduit

### Electrical Specifications:

**Operating Voltage:** 100 - 277V AC, 50/60 Hz  
12 - 48V DC

**Total system power consumption:** See table

**Operating Temp:** -40°F to +133°F (-40°C to +55°C)

**Harmonics:** IEC 61000-3-2

**Noise requirement /EMC:** FCC Title 47, Subpart B, Section 15, class A device. RF Immunity; 10V/m, 80MHz-1GHz

**Transient protection:** 1 kV line to line  
2 kV line to ground

**THD:** <20%

**Power Factor:** > 0.9

### Construction:

**Housing:** Copper free aluminum

**Finish:** Superior dual coat finish  
Sealed polyester topcoat  
Chemical-resistant epoxy prime

**Lens:** UV stabilized abrasion resistant polycarbonate

### Photometric Information:

**CRI:** 75

**CCT:** 6000K (cool white)

All values typical unless otherwise stated (tolerance +/- 10%)

**WARNING - INSTALLATION & SECONDARY RETENTION.** Use of any Dialight products without proper installation (including secondary retention / netting) and periodic inspections could cause severe injury or death. Dialight recommends that all installations should use secondary retention / netting (appropriate to the installation environment) where applicable. It is the exclusive responsibility of the contractor, installer and/or end-user to: (a) determine the suitability of the product for its intended application; and, (b) ensure that the product is safely installed (with secondary retention / netting where appropriate) and in compliance with all applicable laws and regulations. To the extent permissible under applicable laws, Dialight disclaims all liability for personal injury and/or other damage resulting from any dislodgment or other dislocation of its products.

# DuroSite LED RTO Area Light - UL / CSA

## Ordering Information

Part Number	Type	Fixture Lumen	Watt	LPW	Voltage	CCT	Lens	Beam Distribution
Standard Models - 100-277 VAC								
RTO0W17005	Ceiling mount with junction box	800	8	100	100-277V AC	6000K (cool white)	Clear Polycarbonate	Circular
RTO0W17004	Pendant mount	800	8	100	100-277V AC	6000K (cool white)	Clear Polycarbonate	Circular
RTO0W17001	Pendant mount with junction box	800	8	100	100-277V AC	6000K (cool white)	Clear Polycarbonate	Circular
RTO0W07005	Ceiling mount with junction box	470	8	59	100-277V AC	6000K (cool white)	Clear Polycarbonate	Circular
RTO0W07004	Pendant mount	470	8	59	100-277V AC	6000K (cool white)	Clear Polycarbonate	Circular
RTO0W07001	Pendant mount with junction box	470	8	59	100-277V AC	6000K (cool white)	Clear Polycarbonate	Circular
Standard Models - 24-48 VDC								
RTO0W18005	Ceiling mount with junction box	800	8	100	24 - 48V DC	6000K (cool white)	Clear Polycarbonate	Circular
RTO0W18004	Pendant mount	800	8	100	24 - 48V DC	6000K (cool white)	Clear Polycarbonate	Circular
RTO0W18001	Pendant mount with junction box	800	8	100	24 - 48V DC	6000K (cool white)	Clear Polycarbonate	Circular
RTO0W08005	Ceiling mount with junction box	470	8	59	24 - 48V DC	6000K (cool white)	Clear Polycarbonate	Circular
RTO0W08004	Pendant mount	470	8	59	24 - 48V DC	6000K (cool white)	Clear Polycarbonate	Circular
RTO0W08001	Pendant mount with junction box	470	8	59	24 - 48V DC	6000K (cool white)	Clear Polycarbonate	Circular

All values typical unless otherwise stated (tolerance +/- 10%)

## Mounting Accessories



**Pendant Mount**

- 3/4" NPT threaded conduit



**Pendant Mount with Junction Box**

- 1" & 3/4" NPT reducer bi-directional mounting



**Ceiling Mount with Junction Box**

- 3/4" 5-way surface mounting



**RTO1000**

- Flush wall mount



**RTO1001**

- Junction box wall mount

## North American HQ

1501 Route 34 South  
Farmingdale, NJ 07727  
Tel: 732-919-3119  
Fax: 732-751-5778  
info@dialight.com

## Dialight Europe Ltd

Leaf C, Level 36, Tower 42  
25 Old Broad Street  
London, EC2N 1HQ, United Kingdom  
Tel: +44 (0) 203 058 3540  
Customer Service: +44 (0) 163 866 6541  
sales-emea@dialight.com

## Middle East

Level 23 – Boulevard Plaza Tower 2  
Emaar Boulevard, Dubai, U.A.E.  
P.O. Box 124342  
Tel: +971 (4) 409-6962  
Fax: +971 (4) 409-6850

## Australia

108 Howe Street  
Osborne Park, WA 6017  
Tel: +61 (0) 8 9244 7600  
Fax: +61 (0) 8 9244 7601  
info@dialight.com.au

## Southeast Asia

33 Ubi Avenue 3  
#07-72 Vertex (Tower A)  
Singapore 408868  
Tel: +65 6578 7157  
Fax: +65 6578 7150  
enquiry@dialight.com.sg

## Brazil

Alameda Mercurio,  
225 – American Park Empresarial NR  
Indaiatuba – SP – 13347– 662  
Tel: +55 (19) 3113-4300  
Fax: +55 (19) 3113-4300  
brasil@dialight.com

### WARNING / DISCLAIMERS:

**Installation & secondary retention.** The use of this product without proper installation (including secondary retention / netting) and periodic inspections, could cause severe injury or death. Dialight recommends that all installations should use secondary retention / netting (appropriate to the installation environment) as applicable. Dialight products are intended for ultimate purchase, installation and operation by knowledgeable persons trained in the functional assessment, installation, use and maintenance of such products and all customers (including but not limited to end customers) are responsible for assessing the suitability of Dialight products for any given installation requirement. It is the exclusive responsibility of the contractor, installer and/or end-user to: (a) determine the suitability of the product for its intended application; and, (b) ensure that the product is safely installed (with secondary retention / netting as appropriate) and in compliance with all applicable laws and regulations.

**Product specifications & warranties.** All product information provided is, to the best of Dialight's knowledge, accurate as of the date of publication. All values and performance data herein are design or typical values when measured under laboratory conditions. The information herein is subject to change without notice. The products / software detailed herein are subject to applicable warranties and terms and conditions of use/purchase. Unless agreed otherwise in writing by an authorized representative of Dialight, Dialight does not represent that its products are fit for any particular purpose and accepts no liability for the installation and/or unauthorised use of its products. When ordering, refer to [www.dialight.com](http://www.dialight.com) for current versions of: (a) relevant product documentation (including relevant product data sheets); (b) Dialight terms and conditions of sale; and, (c) the relevant product warranties. To the extent that any contract is deemed formed between Dialight and the purchaser of Dialight products and/or an end-user, versions of documents available at [www.dialight.com](http://www.dialight.com) as at the date of sale shall be the versions incorporated therein. In the event of any discrepancy between this document and information provided at [www.dialight.com](http://www.dialight.com), the latter shall prevail.

**Exclusion of liability.** To the extent permissible under the relevant law, Dialight disclaims all liability for personal injury and/or other damage resulting from any dislodgment or other dislocation of its products. Whilst Dialight has used its reasonable endeavours to ensure the completeness and accuracy of information herein, Dialight does not assume any liability for damages resulting from use of this information or for any third-party representations made in relation to Dialight products.