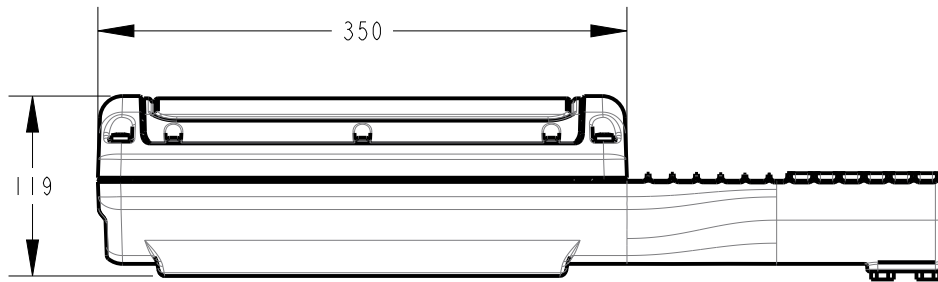
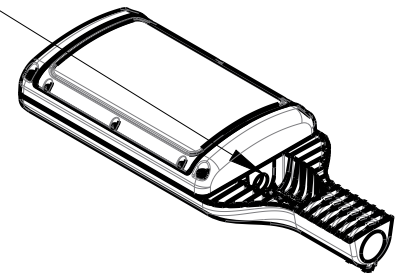


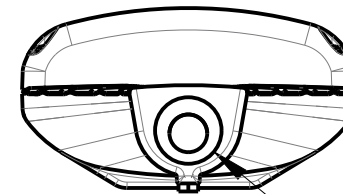
SCALE 0.100



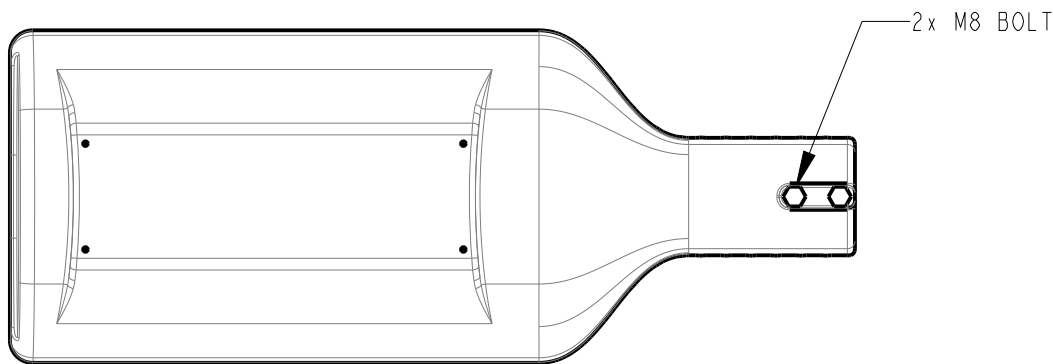
M25x1 THREADED ENTRY



SCALE 0.100



Ø44 SPIGOT ENTRY



THIS DRAWING AND THE CONTENTS HEREIN ARE CONFIDENTIAL AND THE SOLE PROPERTY OF DIALIGHT CORP. REPRODUCTION OF THIS DRAWING OR CONSTRUCTION OF ANY PARTS WITHIN THIS DRAWING ARE FORBIDDEN WITHOUT THE WRITTEN CONSENT OF DIALIGHT CORP.		
DIALIGHT CORP. INTERNAL REFERENCE ONLY = 3D MODEL : BZX4XXXXXNNXXX-A.0		
SCALE: 0.200	DRAWING NUMBER	REV
ALL DIM's: INCH (mm)	<b>BZx4xxxxxNNxxx</b>	<b>01</b>
TOLERANCES: UNLESS OTHERWISE SPECIFIED FRACTIONS: ±1/64 DECIMALS (.XX): ±.01 DECIMALS (.XXX): ±.005 DECIMALS (.XXXX): ±.0005 ANGLES: ±1°	TITLE	44MM SPIGOT DOME
FINISH	MATERIAL	-
FSCM 83330	<b>Dialight</b>	1501 ROUTE 34 SOUTH FARMINGDALE, NJ 07727 (732) 919-3119 www.dialight.com
SHEET 1 OF 1		FAMILY TABLE: