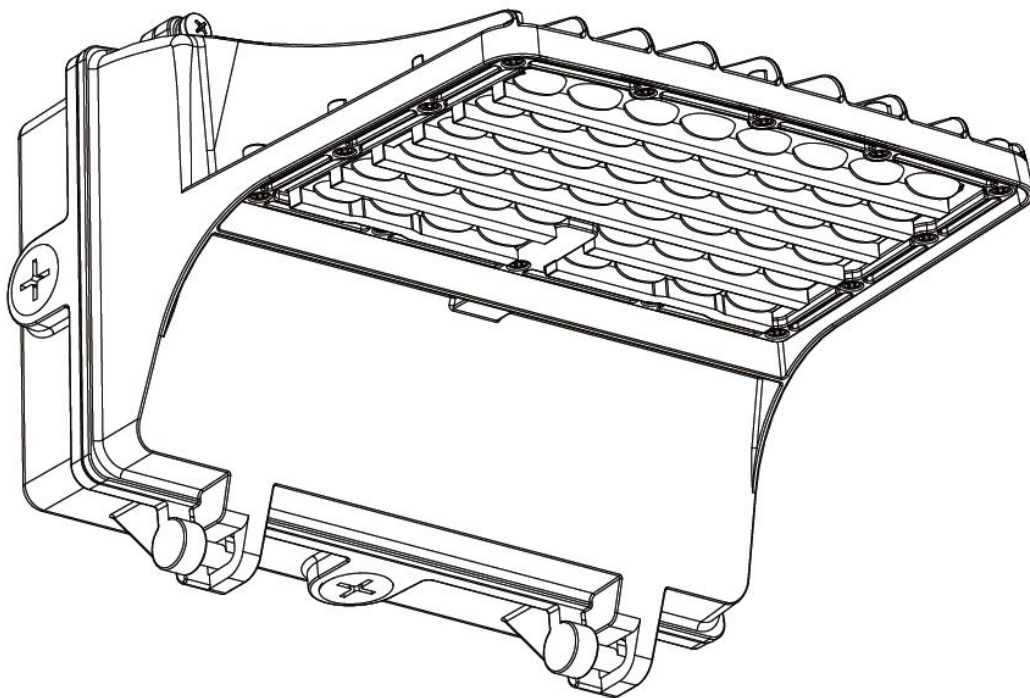




DuroSite® LED Full Cut-Off Wallpack

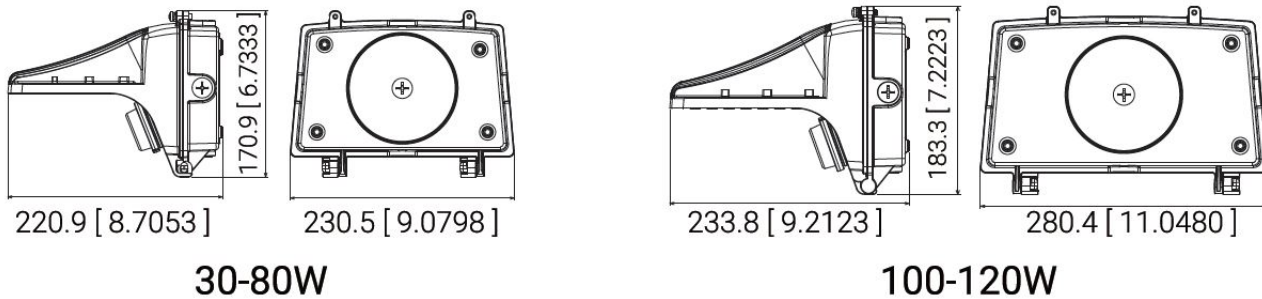
Installation Instructions



30W / 40W / 50W / 60W / 80W / 100W / 120W

DuroSite® LED Full Cut-Off Wallpack

DIMENSIONAL DRAWINGS



SAFETY INSTRUCTIONS

- This fixture must be wired in accordance with the international electrical code and applicable local codes and ordinances.
- Proper grounding is required to insure personal safety. Carefully observe the correct grounding procedure under installation section.
- Make sure power is turned off before installing or maintaining fixture.
- Check that voltage is compatible with fixture driver, use approved connectors for all electrical connections.

IMPORTANT: READ CAREFULLY BEFORE INSTALLING FIXTURE. RETAIN FOR FUTURE REFERENCE.

CLEANING

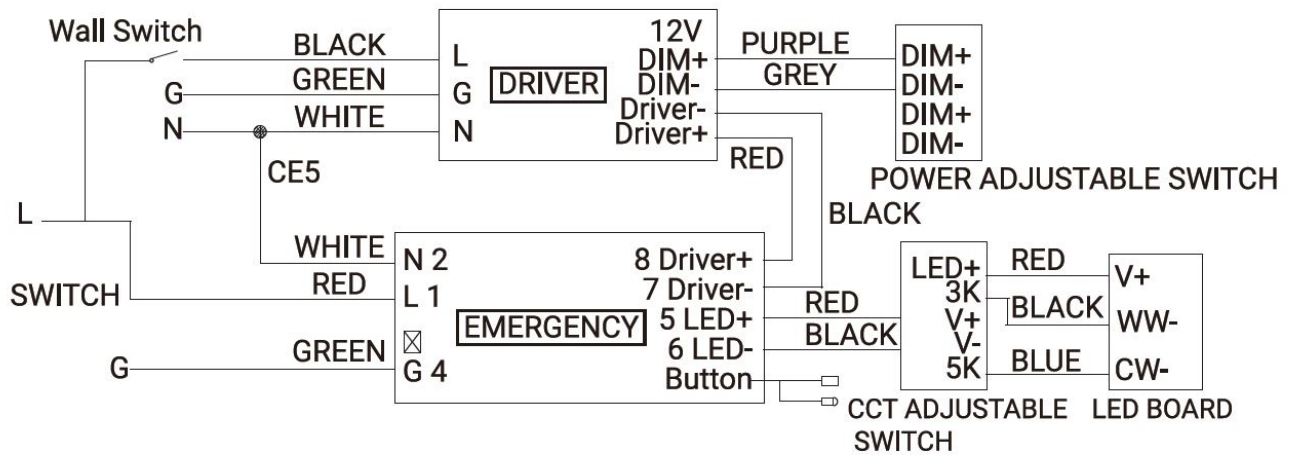
1. Before touching fixture, make sure the fixture is cooled and safe to touch.
2. Do not clean or maintain while fixture is energized.
3. Clean lens& fixture with non-abrasive glass cleaning solution.
4. Do not open fixture to clean and touch LED chips.

DuroSite® LED Full Cut-Off Wallpack

WIRING INSTRUCTIONS

WARNING: TURN OFF POWER BEFORE CONNECTING WIRES.

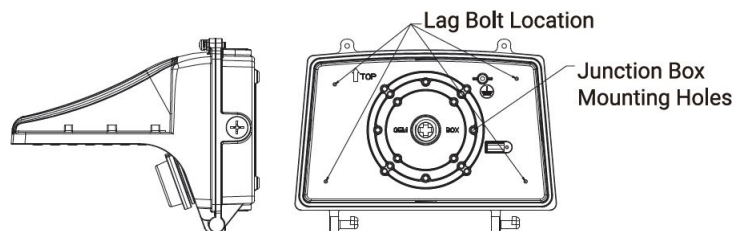
Red wire connect to L, Black wire connect to Wall Switch, White wire connect to N, Green wire connect to GROUND.



INSTALLATION

Tools: Phillips head screw driver and electrical wiring tools.

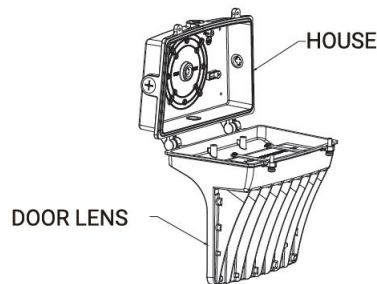
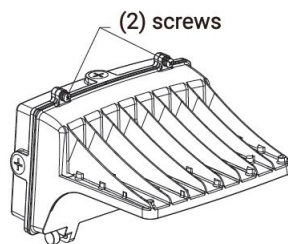
The fixture must be mounted on the wall with lens facing down as shown with picture.



DuroSite® LED Full Cut-Off Wallpack

INSTALLATION

1. Unscrew door with Philips screwdriver by loosening (2) screws. Confirm junction box size and junction box mounting provisions to that of the light fixture.
2. Attach the light fixture to the junction box or mounting surface.
3. Attach the appropriate wires to the light fixture wires, green to green, black to black and white to white. Secure each wire pair with a wire nut.
4. Close the door and tighten (2) screws on the door lens. Nothing should be trapped in the gasket sealing area when the door is closed.



MAINTENANCE CAUTION

1. Review the diagrams before beginning, and make sure the fixture is grounded properly.
2. Turn the power off and wait for fixture to cool completely.
3. This fixture has to be installed and maintained in accordance with the application code by a professional person who familiar with the construction and operation of the product and the hazards involved.

WARRANTY

5-YEAR WARRANTY

If this product fails to perform due to material defects or poor workman-ship within five years from the date of purchase, return it to the place of purchase and it will be replaced, free of charge. Incidental or consequential damages are excluded from the warranty.