



DuroSite[®] LED High Bay

Technical Specification Sheet - Americas

DuroSite® LED High Bay

Technical Spec Sheet



Certifications & Ratings

- 5 year warranty
- UL 1598
- CSA C22.2 No. 250
- Dry or damp locations
- DLC qualified product
- L70 @ 65,000 hours

Mechanical Information:

Fixture weight*:

12" Model:	10 lb (4.5 kg)
18" Model:	14 lb (6.4 kg)
24" Model:	18 lb (8.2 kg)

*Battery option is an additional 5 lb (2.3 kg)

Mounting:

V-hangers standard
Cable suspension and hub/hook
mount options available

Cable entry:

(3) 7/8" knockouts at top of fixture

Variable Dimming:

Variable Dimming Control: 0-10 VDC standard, 10%-100%

Electrical Specifications:

Operating Voltage:

120-277 VAC
347 VAC
480 VAC

Total system power consumption:

See table

Operating Temp:

-40°F to +104°F (-40°C to +40°C)

w/ Battery:

+32°F to +104°F (0°C to +40°C)

Surge protection:

2.5kV

THD:

<20%

Power Factor:

>0.9

Construction:

Finish:

Grey / White

Photometric Information:

CRI:

80

CCT:

4000K
5000K

All values typical unless otherwise stated (tolerance +/- 10%)

WARNING - INSTALLATION & SECONDARY RETENTION. Use of any Dialight products without proper installation (including secondary retention / netting) and periodic inspections could cause severe injury or death. Dialight recommends that all installations should use secondary retention / netting (appropriate to the installation environment) where applicable. It is the exclusive responsibility of the contractor, installer and/or end-user to: (a) determine the suitability of the product for its intended application; and, (b) ensure that the product is safely installed (with secondary retention / netting where appropriate) and in compliance with all applicable laws and regulations. To the extent permissible under applicable laws, Dialight disclaims all liability for personal injury and/or other damage resulting from any dislodgment or other dislocation of its products.

DuroSite® LED High Bay Ordering Information



Project Information	
Part Number:	
Project:	
Fixture Type:	Date:

Specifications

Ordering Information

D	A	U		W								G	
Product Code	Form Factor	Cert.	Lens Material	Optic	CRI & CCT	Oper. Voltage	Lumen Type	Controls	Mounting Options	Power Cable	Elect. Access.	Coatings	Battery
D DuroSite® High Bay	A 2' Model	U UL / CSA	3 Diffused Acrylic 5 Diffused Polycarbonate	W White Highly Reflective Paint	C Cool White 5000K - 80 CRI N Neutral White 4000K - 80 CRI	2 120-277 VAC B 347 VAC D 480 VAC	A 12,000 C 18,000 E 24,000 F 30,000 H 36,000	D Driver with 0-10V Dimming H Wattstopper FSP221B PIR Motion Sensor w/ Daylight Harvesting	D (2) Cable Suspension Kits - 10' U Cast Iron Hub & Junction Box for 3/4" Pendant Mount V (2) V-Hangers - Standard	V 8' 18-5 Power Cord N No Cord	3 8' Cord with 120V Plug, NEMA Twistlock L5-15 8 8' Cord with 277V Plug, NEMA Twistlock L7-15 N No Plug	G White/Grey	B 10-Watt Emergency Battery N No Option

Notes
1) For Diffused Polycarbonate Lens option, reduce nominal lumens by 5%
2) For Cool White 5000K - 80 CRI option, increase nominal lumens by 3%
3) Nominal lumens at 4000K with Diffused Acrylic Lens option.

DISCLAIMER. All product information provided is, to the best of Dialight's knowledge, accurate as of the date of publication. When ordering, refer to www.dialight.com for current versions of: (a) relevant product documentation (including the relevant product data sheets); (b) Dialight terms and conditions of sale; and, (c) the relevant product warranty. To the extent that any contract is deemed formed between Dialight and the purchaser of Dialight products and/or an end-user, versions of documents available at www.dialight.com as at the date of sale shall be the versions incorporated therein. In the event of any discrepancy between this document or information provided at www.dialight.com, the latter shall prevail.

DuroSite® LED High Bay

Ordering Information

LED High Bay								
Part Number	Width	Fixture Lumens	Wattage	lm/W	Lens	CCT	Controls	Mounting
120-277 VAC Models								
DAU-3WC2-ADV-NGN	12"	12,280	91	135	Acrylic	CW	Dimming	V-hangers
DAU-3WC2-CDV-NGN	18"	18,540	126	147	Acrylic	CW	Dimming	V-hangers
DAU-5WC2-CDV-NGN	18"	17,620	126	140	Polycarbonate	CW	Dimming	V-hangers
DAU-3WC2-CDD-NGN	18"	18,540	126	147	Acrylic	CW	Dimming	Cable Suspension
DAU-3WC2-EDV-NGN	18"	24,170	177	137	Acrylic	CW	Dimming	V-hangers
DAU-5WC2-EDV-NGN	18"	22,960	177	130	Polycarbonate	CW	Dimming	V-hangers
DAU-3WN2-EDV-NGN	18"	23,470	177	133	Acrylic	NW	Dimming	V-hangers
DAU-5WN2-EDV-NGN	18"	22,290	177	126	Polycarbonate	NW	Dimming	V-hangers
DAU-3WC2-EDD-NGN	18"	24,170	177	137	Acrylic	CW	Dimming	Cable Suspension
DAU-3WC2-FDV-NGN	24"	31,930	228	140	Acrylic	CW	Dimming	V-hangers
DAU-3WC2-FDD-NGN	24"	31,930	228	140	Acrylic	CW	Dimming	Cable Suspension
DAU-3WC2-HDV-NGN	24"	36,830	273	135	Acrylic	CW	Dimming	V-hangers
DAU-3WC2-CHV-NGN	18"	18,540	126	147	Acrylic	CW	FSP221B	V-hangers
DAU-3WC2-EHV-NGN	18"	24,170	177	137	Acrylic	CW	FSP221B	V-hangers
DAU-5WC2-CHV-NGN	18"	17,620	126	140	Polycarbonate	CW	FSP221B	V-hangers
DAU-5WC2-EHV-NGN	18"	22,960	177	130	Polycarbonate	CW	FSP221B	V-hangers
120-277 VAC Battery Backup Models								
DAU-3WC2-CDV-NGB	18"	18,540	126	147	Acrylic	CW	Dimming	V-hangers
DAU-3WC2-EDV-NGB	18"	24,170	177	137	Acrylic	CW	Dimming	V-hangers
DAU-5WC2-EDV-NGB	18"	22,960	177	130	Polycarbonate	CW	Dimming	V-hangers
DAU-3WC2-EHV-NGB	18"	24,170	177	137	Acrylic	CW	FSP221B	V-hangers
347 VAC Models								
DAU-3WCB-CDV-NGN	18"	18,540	126	147	Acrylic	CW	Dimming	V-hangers
DAU-3WCB-EDV-NGN	18"	24,170	177	137	Acrylic	CW	Dimming	V-hangers
DAU-5WCB-EDV-NGN	18"	22,960	177	130	Polycarbonate	CW	Dimming	V-hangers
DAU-3WCB-EHV-NGN	18"	24,170	177	137	Acrylic	CW	FSP221B	V-hangers
480 VAC Models								
DAU-3WCD-CDV-NGN	18"	18,540	126	147	Acrylic	CW	Dimming	V-hangers
DAU-3WCD-EDV-NGN	18"	24,170	177	137	Acrylic	CW	Dimming	V-hangers
DAU-5WCD-EDV-NGN	18"	22,960	177	130	Polycarbonate	CW	Dimming	V-hangers
DAU-3WCD-EHV-NGN	18"	24,170	177	137	Acrylic	CW	FSP221B	V-hangers

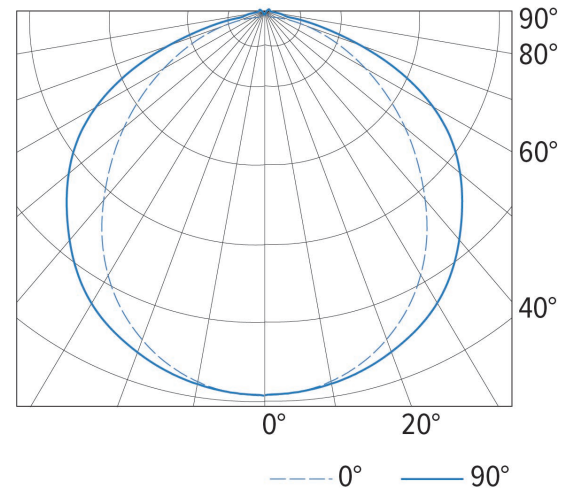
DISCLAIMER. All product information provided is, to the best of Dialight's knowledge, accurate as of the date of publication. When ordering, refer to www.dialight.com for current versions of: (a) relevant product documentation (including the relevant product data sheets); (b) Dialight terms and conditions of sale; and, (c) the relevant product warranty. To the extent that any contract is deemed formed between Dialight and the purchaser of Dialight products and/or an end-user, versions of documents available at www.dialight.com as at the date of sale shall be the versions incorporated therein. In the event of any discrepancy between this document or information provided at www.dialight.com, the latter shall prevail.

Beam Distribution

DAU-3WN2-EDVN-NGN

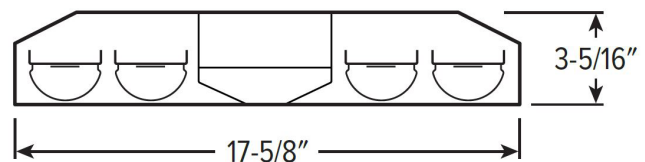
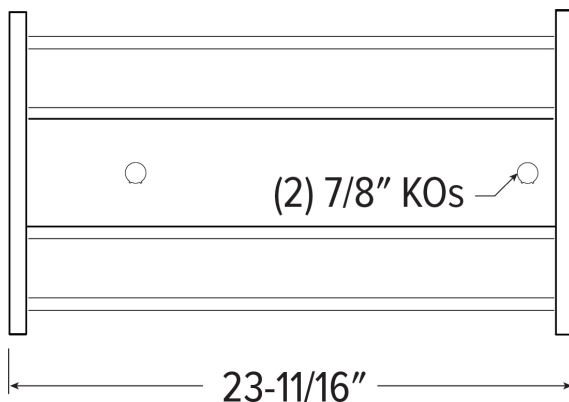
Total Luminaire Output = 23,470 Lumens, 176.8 Watts; Efficacy = 132.7 lm/W; 80 CRI; 4000K CCT

Candlepower Distribution				
Vertical Angle	Horizontal Angle			Zonal Lumens
	0°	45°	90°	
0	7864	7864	7864	
5	7830	7838	7828	188
15	7462	7557	7617	906
25	6743	7012	7218	1499
35	5682	6194	6579	1882
45	4375	5143	5680	1983
55	3108	4068	4699	1854
65	1942	2930	3361	1507
75	982	1717	1749	970
85	267	619	733	421
90	9	301	458	



Lumen Summary		
Zone	Lumens	% Fixture
0 - 40	9946	42
0 - 60	17436	74
0 - 90	22488	96
90 - 180	981	4
0 - 180	23470	100

Dimensional Drawings

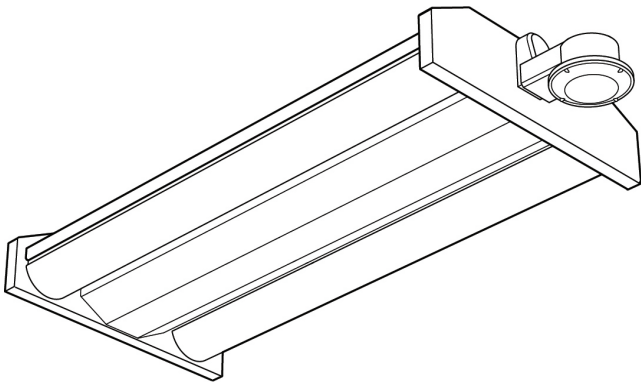


DISCLAIMER. All product information provided is, to the best of Dialight's knowledge, accurate as of the date of publication. When ordering, refer to www.dialight.com for current versions of: (a) relevant product documentation (including the relevant product data sheets); (b) Dialight terms and conditions of sale; and, (c) the relevant product warranty. To the extent that any contract is deemed formed between Dialight and the purchaser of Dialight products and/or an end-user, versions of documents available at www.dialight.com as at the date of sale shall be the versions incorporated therein. In the event of any discrepancy between this document or information provided at www.dialight.com, the latter shall prevail.

Controls

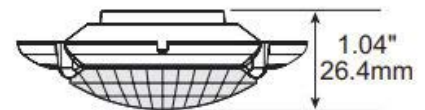
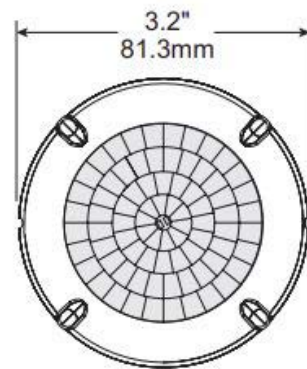
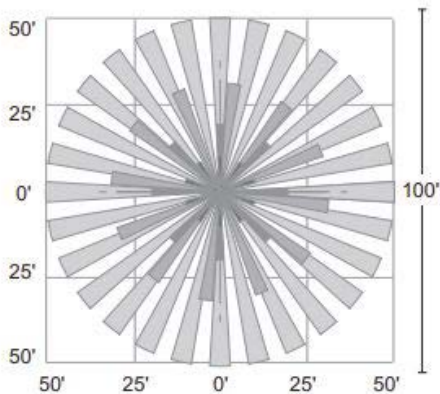
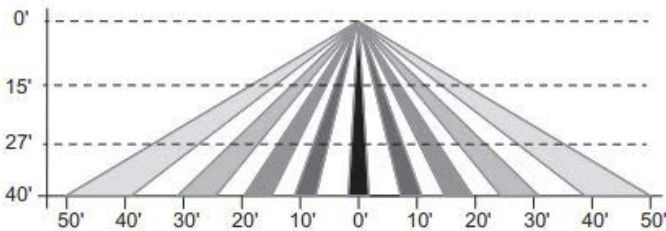
Sensor Option H: Wattstopper FSP221B PIR motion sensor with daylight harvesting

Sensor Placement



Specifications

Manufacturer	Legrand Wattstopper
Model	FSP-221B-D-L7-W
Mounting Height	8' - 40'
Maximum Coverage	100' diameter @ 40' height
Temperature Range	-40C - 75C
Commissioning	FSIR-100 remote
Ratings	UL, eUL, CE, TUV, IP66



DISCLAIMER. All product information provided is, to the best of Dialight's knowledge, accurate as of the date of publication. When ordering, refer to www.dialight.com for current versions of: (a) relevant product documentation (including the relevant product data sheets); (b) Dialight terms and conditions of sale; and, (c) the relevant product warranty. To the extent that any contract is deemed formed between Dialight and the purchaser of Dialight products and/or an end-user, versions of documents available at www.dialight.com as at the date of sale shall be the versions incorporated therein. In the event of any discrepancy between this document or information provided at www.dialight.com, the latter shall prevail.

North American HQ

1501 Route 34 South
Farmingdale, NJ 07727
Tel: 732-919-3119
Fax: 732-751-5778
info@dialight.com

WARNING / DISCLAIMERS:

Installation & secondary retention. The use of this product without proper installation (including secondary retention / netting) and periodic inspections, could cause severe injury or death. Dialight recommends that all installations should use secondary retention / netting (appropriate to the installation environment) as applicable. Dialight products are intended for ultimate purchase, installation and operation by knowledgeable persons trained in the functional assessment, installation, use and maintenance of such products and all customers (including but not limited to end customers) are responsible for assessing the suitability of Dialight products for any given installation requirement. It is the exclusive responsibility of the contractor, installer and/or end-user to: (a) determine the suitability of the product for its intended application; and, (b) ensure that the product is safely installed (with secondary retention / netting as appropriate) and in compliance with all applicable laws and regulations.

Product specifications & warranties. All product information provided is, to the best of Dialight's knowledge, accurate as of the date of publication. All values and performance data herein are design or typical values when measured under laboratory conditions. The information herein is subject to change without notice. The products / software detailed herein are subject to applicable warranties and terms and conditions of use/purchase. Unless agreed otherwise in writing by an authorized representative of Dialight, Dialight does not represent that its products are fit for any particular purpose and accepts no liability for the installation and/or unauthorised use of its products. When ordering, refer to www.dialight.com for current versions of: (a) relevant product documentation (including relevant product data sheets); (b) Dialight terms and conditions of sale; and, (c) the relevant product warranties. To the extent that any contract is deemed formed between Dialight and the purchaser of Dialight products and/or an end-user, versions of documents available at www.dialight.com as at the date of sale shall be the versions incorporated therein. In the event of any discrepancy between this document and information provided at www.dialight.com, the latter shall prevail.

Exclusion of liability. To the extent permissible under the relevant law, Dialight disclaims all liability for personal injury and/or other damage resulting from any dislodgment or other dislocation of its products. Whilst Dialight has used its reasonable endeavours to ensure the completeness and accuracy of information herein, Dialight does not assume any liability for damages resulting from use of this information or for any third-party representations made in relation to Dialight products.