

# DIALIGHT LED LIGHTING CATALOGUE

*for Industrial and Hazardous Areas - APAC*



Dialight



DECEMBER 2023



Cover and above photo: The crushing plant and beneficiation plant at Mineral Resources' Wodgina Minesite

## About Dialight

With over 40 years of industrial LED lighting experience and the largest installed base in the world, Dialight's extensive network of support staff, distributor and channel partners are ready to help you select among our wide range of products to identify a lighting solution that meets your specific needs.

### Vigilant®

- LED lighting for general industrial applications
- 10 year warranty

### DuroSite®

- LED lighting for general industrial applications
- 5 & 10 year warranty

### SafeSite®

- LED lighting for hazardous applications
- 5 & 10 year warranty



# Table of Contents

## ProSite LED Lighting for Industrial & Hazardous Applications

ProSite LED Floodlight 12-17

## Vigilant® LED Lighting for Industrial Applications

Vigilant® Ultra-Efficient LED High Bay & Low Bay 18-21  
 Vigilant® LED Low Bay 22-23  
 Vigilant® LED High Output High Bay - Low Profile 24-25  
 Vigilant® LED Area Light 26-31  
 Vigilant® LED Bulkhead / Conveyor Light 32-37

## DuroSite® LED Lighting for Industrial Applications

DuroSite® LED Linear 38-39

## SafeSite® LED Lighting for Hazardous Applications



SafeSite® LED High Bay - High Efficiency 40-41  
 SafeSite® LED Floodlight 42-43  
 SafeSite® LED Area Light 44-47  
 SafeSite® LED GRP Linear 48-51  
 SafeSite® LED Linear 52-53  
 SafeSite® LED Stainless Steel Linear 54-55  
 SafeSite® LED Bulkhead / Conveyor Light 56-59

## StreetSense® LED Street Lighting



StreetSense® LED Street Light 60-61  
 StreetSense® LED Street Light - IECEx/ATEX 62-63

## Obstruction LED Lighting

Overview 64-65

# Hazardous Area Ratings

Fixed and portable fixtures for installation and use in hazardous areas.



## Zones

The zone defines the probability of hazardous material being present in an explosive concentration in the atmosphere.

Zone	Hazardous Material in Surrounding Atmosphere
Zone 0, 20	Area in which an explosive gas / dust mixture is continuously present or present for long periods
Zone 1, 21	Area in which an explosive gas / dust mixture is likely to occur for short periods in normal operation
Zone 2, 22	Area in which an explosive gas / dust mixture is present for a very short time due to an abnormal condition

## Protection Types

The protection types are used to denote the protection concept utilised in the devices.

Ex	Presence of Hazardous Material	Zones
Ex d	Flameproof (Explosion proof) Enclosure	1, 21, 2, 22
Ex e	Increased Safety	1, 21, 2, 22
Ex m	Encapsulation	1, 21, 2, 22
Ex n or N	Non incandive or/and normally no sparking circuits	2, 22

## Temperature Ratings

Certified equipment is tested for maximum temperature rating by approval agencies.

Equipment for Group II receives a temperature code indicating the maximum temperatures of the product.

Temperature Rating	
T1	450°C
T2	300°C
T3	200°C
T4	135°C
T5	100°C
T6	85°C

## Groups (Gas & Dust)

Equipment is tested for suitability in specified gas groups and dust groups.

Gas groups IIA, IIB, IIC. Dust groups IIIA, IIIB, IIIC

Group	Hazardous Material in Surrounding Atmosphere
Group IIA	Propane group
Group IIB	Ethylene group
Group IIC	Hydrogen group
Group IIIA	Combustible flyings
Group IIIB	Non-conductive dust
Group IIIC	Conductive dust

# Hazardous Locations Ratings

Fixed and portable fixtures for installation and use in hazardous (classified) locations Class I, Divisions 1 and 2, Groups A, B, C, and D; Class II, Division 1, Groups E, F, and G; Class II, Division 2, Groups F and G; and Class III, Divisions 1 and 2, in accordance with the National Electrical Code, NFPA 70

## Classes

The classes define the general nature of hazardous material in the surrounding atmosphere.

Class	Hazardous Material in Surrounding Atmosphere
Class I	Hazardous because flammable gases or vapors are present in the air in quantities sufficient to produce explosive or ignitable mixtures
Class II	Hazardous because combustible or conductive dusts are present
Class III	Hazardous because ignitable fibers or flying's are present, but not likely to be in suspension in sufficient quantities to produce ignitable mixtures. Typical wood chips, cotton, flax and nylon. Group classifications are not applied to this class

## Divisions

The division defines the probability of hazardous material being present in an ignitable concentration in the surrounding atmosphere.

Division	Presence of Hazardous Material
Division 1	The substance referred to by class is present during normal conditions
Division 2	The substance referred to by class is present only in abnormal conditions, such as a container failure or system breakdown

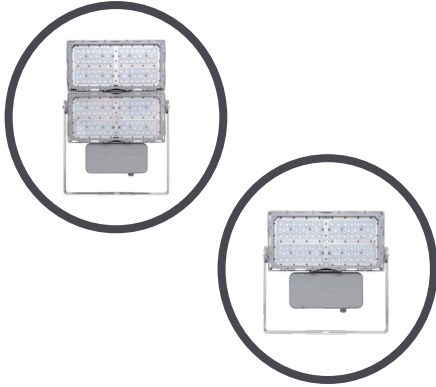
## Groups

The group defines the hazardous material in the surrounding atmosphere.

Group	Hazardous Material in Surrounding Atmosphere
Group A	Acetylene
Group B	Hydrogen, fuel and combustible process gases containing more than 30% hydrogen by volume or gases of equivalent hazard such as butadiene, ethylene, oxide, propylene oxide and acrolein
Group C	Carbon monoxide, ether, hydrogen sulfide, morphine, cyclopropane, ethyl and ethylene or gases of equivalent hazard
Group D	Gasoline, acetone, ammonia, benzene, butane, cyclopropane, ethanol, hexane, methanol, methane, vinyl chloride, natural gas, naphtha, propane or gases of equivalent hazard
Group E	Combustible metal dusts, including aluminum, magnesium and their commercial alloys or other combustible dusts whose particle size, abrasiveness and conductivity present similar hazards in connection with electrical equipment
Group F	Carbonaceous dusts, carbon black, coal black, charcoal, coal or coke dusts that have more than 8% total entrapped volatiles or dusts that have been sensitized by other material so they present an explosion hazard
Group G	Flour dust, grain dust, flour, starch, sugar, wood, plastic and chemicals

Reference:  
[http://www.engineeringtoolbox.com/hazardous-areas-classification-d\\_347.html](http://www.engineeringtoolbox.com/hazardous-areas-classification-d_347.html)

## ProSite LED Lighting Fixtures for Industrial & Hazardous Applications



### LED Floodlight

Wattage Range:	81-499W
Lumen Output Range:	11,700-65,000
Lumens per Watt:	Up to 163
Input Voltage:	120-277 VAC / 120-250 VDC, 347-415 VAC
Mounting:	Structure, Pole
Mounting Height:	Up to 30m

## Vigilant® LED Lighting Fixtures for Industrial Applications



### LED High Bay

Wattage Range:	80-186W
Lumen Output Range:	11,400-37,400
Lumens per Watt:	Up to 166
Input Voltage:	100-277 VAC, 120-250 VDC
Mounting:	Overhead, Ceiling, Suspended
Mounting Height:	Up to 12m



### LED Low Bay

Wattage:	80W
Lumen Output:	8,750
Lumens per Watt:	109
Input Voltage:	100-277 VAC, 120-250 VDC
Mounting:	Overhead, Ceiling, Suspended
Mounting Height:	Up to 7m

# Vigilant® LED Lighting Fixtures

## for Industrial Applications



### LED High Output High Bay - Low Profile

<b>Wattage Range:</b>	300-506W
<b>Lumen Output Range:</b>	Up to 72,000
<b>Lumens per Watt:</b>	Up to 155
<b>Input Voltage:</b>	120-277 VAC, 415 VAC
<b>Mounting:</b>	Suspended
<b>Mounting Height:</b>	Up to 30m



### LED Area Light

<b>Wattage Range:</b>	24-66W
<b>Lumen Output Range:</b>	3,000-9,000
<b>Lumens per Watt:</b>	Up to 143
<b>Input Voltage:</b>	100-277 VAC, 120-250 VDC
<b>Mounting:</b>	Ceiling, Wall, Pole
<b>Mounting Height:</b>	Up to 10m



### LED Bulkhead

<b>Wattage Range:</b>	22-48W
<b>Lumen Output Range:</b>	3,100-6,700
<b>Lumens per Watt:</b>	Up to 149
<b>Input Voltage:</b>	100-277 VAC, 120-250 VDC, 230/240 VAC
<b>Mounting:</b>	Pole mount
<b>Mounting Height:</b>	Up to 6m

**DISCLAIMER.** All product information provided is, to the best of Dialight's knowledge, accurate as of the date of publication. When ordering, refer to [www.dialight.com](http://www.dialight.com) for current versions of: (a) relevant product documentation (including the relevant product data sheets); (b) Dialight terms and conditions of sale; and, (c) the relevant product warranty. To the extent that any contract is deemed formed between Dialight and the purchaser of Dialight products and/or an end-user, versions of documents available at [www.dialight.com](http://www.dialight.com) as at the date of sale shall be the versions incorporated therein. In the event of any discrepancy between this document or information provided at [www.dialight.com](http://www.dialight.com), the latter shall prevail.

## DuroSite® LED Lighting Fixtures for Industrial Applications



### LED Linear

Wattage Range:	33-66W
Lumen Output Range:	3,300-6,700
Lumens per Watt:	100-102
Input Voltage:	100-277 VAC
Mounting:	Overhead, Wall
Mounting Height:	Up to 6m

## SafeSite® LED Lighting Fixtures for Hazardous Applications



### LED High Bay - IECEx/ATEX

Wattage Range:	88-212W
Lumen Output Range:	9,650-23,500
Lumens per Watt:	110
Input Voltage:	100-277 VAC, 110-277 VAC
Mounting:	Pole, Overhead, Ceiling, Wall
Mounting Height:	Up to 12m
Zone:	Zone 1, 21 and Zone 2, 22



### LED Floodlight - IECEx/ATEX

Wattage Range:	144-212W
Lumen Output Range:	16,000-23,000
Lumens per Watt:	110
Input Voltage:	100-277 VAC, 110-277 VAC
Mounting:	Pole, Overhead, Ceiling, Wall
Mounting Height:	Up to 12m
Zone:	Zone 1, 21 and Zone 2, 22





# SafeSite® LED Lighting Fixtures for Hazardous Applications



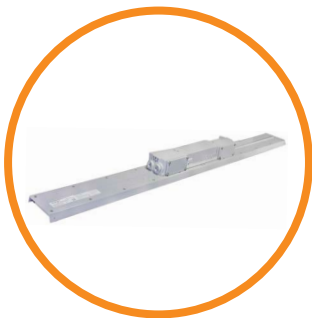
## LED Area Light

<b>Wattage Range:</b>	24-66W
<b>Lumen Output Range:</b>	3,000-9,000
<b>Lumens per Watt:</b>	Up to 143
<b>Input Voltage:</b>	100-277 VAC, 120-250 VDC
<b>Mounting:</b>	Ceiling, Wall, Pole
<b>Mounting Height:</b>	Up to 10m
<b>Zone:</b>	Zone 1, 21 and Zone 2, 22



## LED GRP Linear

<b>Wattage Range:</b>	25-51W
<b>Lumen Output Range:</b>	2,785-5,750
<b>Lumens per Watt:</b>	Up to 123
<b>Input Voltage:</b>	100-277 VAC/120-250 VDC, 230/240 (Emerg.)
<b>Mounting:</b>	Ceiling, Wall, Pole



## LED Linear

<b>Wattage Range:</b>	33W, 66W
<b>Lumen Output Range:</b>	3,300-6,700
<b>Lumens per Watt:</b>	100,102
<b>Input Voltage:</b>	100-277 VAC
<b>Mounting:</b>	Overhead, Wall
<b>Mounting Height:</b>	Up to 6m



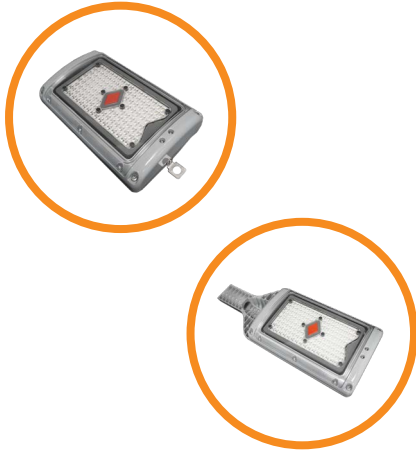
## LED Linear - Stainless Steel

<b>Wattage Range:</b>	34W, 67W
<b>Lumen Output Range:</b>	2,600-5,100
<b>Lumens per Watt:</b>	81
<b>Input Voltage:</b>	110-250 VAC 230-240 VAC (Emergency)
<b>Mounting:</b>	Overhead, Ceiling, Wall, Pole
<b>Mounting Height:</b>	Up to 6m
<b>Zone:</b>	Zone 1, 21 and Zone 2, 22



**DISCLAIMER.** All product information provided is, to the best of Dialight's knowledge, accurate as of the date of publication. When ordering, refer to [www.dialight.com](http://www.dialight.com) for current versions of: (a) relevant product documentation (including the relevant product data sheets); (b) Dialight terms and conditions of sale; and, (c) the relevant product warranty. To the extent that any contract is deemed formed between Dialight and the purchaser of Dialight products and/or an end-user, versions of documents available at [www.dialight.com](http://www.dialight.com) as at the date of sale shall be the versions incorporated therein. In the event of any discrepancy between this document or information provided at [www.dialight.com](http://www.dialight.com), the latter shall prevail.

## SafeSite® LED Lighting Fixtures for Hazardous Applications



### LED Bulkhead

Wattage:	22-48W
Lumen Output:	3,100-6,700
Lumens per Watt:	Up to 149
Input Voltage:	100-277 VAC, 120-250 VDC
Mounting:	Flush, Stanchion, Pole
Mounting Height:	Up to 6m



## StreetSense® LED Street Light for Industrial and Hazardous Area Applications



### StreetSense LED Street Light

Wattage Range:	65-252W
Lumen Output Range:	5,500-20,250
Lumens per Watt:	80-85
Input Voltage:	100-277 VAC



### StreetSense LED Street Light - IECEx/ATEX

Wattage Range:	65-252W
Lumen Output Range:	5,500-20,250
Lumens per Watt:	80-85
Input Voltage:	100-277 VAC
Zone:	Zone 2



# Obstruction LED Lighting Solutions

## ICAO



### Vigilant LED Based ICAO Type A High Intensity (White / Red) Strobe

Effective Intensity:	White Day – 200,000 cd White Twilight- 20,000 cd White or Red Night- 2,000 cd
Wattage:	White day - 160W White twilight - 30W White Night - 23W Red Night - 30W
Input Voltage:	208-277 VAC



### Vigilant LED Based ICAO Type A/Type B Medium Intensity (White/Red) Strobe - Infrared (IR) available



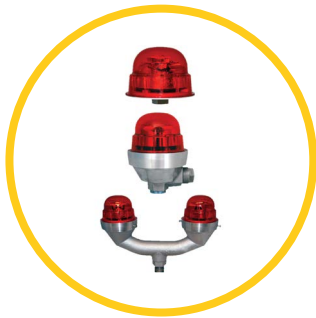
Effective Intensity:	White Day- 20,000 cd White Night- 2,000 cd Red Night- 2,000 cd
Wattage:	White Day- 36W (system = 75W) White Night- 4W (system = 10W) Red Night- 12W (system = 25W)
Input Voltage:	120-240 VAC or +/- 48 VDC



### Vigilant LED Based ICAO Type B/Type C Medium Intensity (Red) Beacon - Infrared (IR) available



Verified to meet CASA requirements under Manual of Standards Part 139 - Aerodromes	
Effective Intensity:	2,000 cd
Wattage:	3.3W (16.7% duty circle)- standard 7.0W (16.7% duty circle)- IR model 20 flashes per minute with 0.5 sec. on time
Input Voltage:	120-240 VAC or 24-48 VDC



### Vigilant LED Based ICAO Type B/Type E Low Intensity (Red) RTO Side Light - Infrared (IR) available



Effective Intensity:	32.5 cd
Wattage Range:	1.5-9.0W
Input Voltage:	12-48 VDC, 120-240 VAC, 277 VAC



### Vigilant LED Based ICAO Type B/Type E Low Intensity (Red) Side Light



Effective Intensity:	32.5 cd
Wattage Range:	13-24W
Input Voltage:	12-48 VDC, 120 VAC, 230 VAC

**DISCLAIMER.** All product information provided is, to the best of Dialight's knowledge, accurate as of the date of publication. When ordering, refer to [www.dialight.com](http://www.dialight.com) for current versions of: (a) relevant product documentation (including the relevant product data sheets); (b) Dialight terms and conditions of sale; and, (c) the relevant product warranty. To the extent that any contract is deemed formed between Dialight and the purchaser of Dialight products and/or an end-user, versions of documents available at [www.dialight.com](http://www.dialight.com) as at the date of sale shall be the versions incorporated therein. In the event of any discrepancy between this document or information provided at [www.dialight.com](http://www.dialight.com), the latter shall prevail.

# ProSite LED Floodlight - CE / RCM / ATEX / IECEx F1 Models

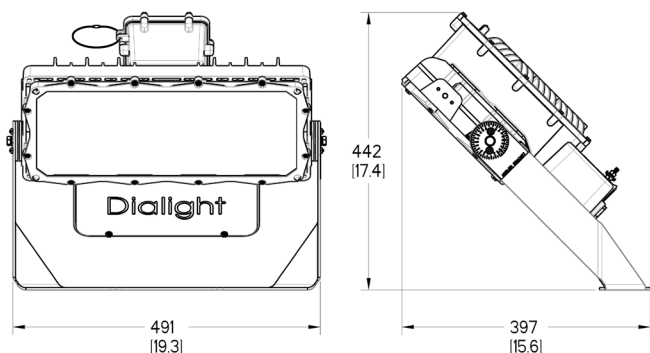


Patent Pending

## Certifications & Ratings

- 10 year warranty
- CE / ENEC / RCM
- ATEX/IECEx Zone 2, 21 & 22
  - Ex ec IIC T4 Gc
  - Ex tb IIIC T110°C Db
  - ITS-I 22 ATEX 29411X
  - ITS-I 22 ATEX 29411X
  - IECEx ETL 22.0001X
- IP66/67
- DNV
- IK10 (integrated PC optic/lens/lens cover), IK08 (glass lens cover)
- L70 > 150,000 hours @ 25°C ambient

## Angled Bracket



Dimensions in mm [inches]

## Mechanical Information:

<b>Fixture weight:</b>	10.9 - 13.6 kg
<b>Shipping weight:</b>	~14.5 kg
<b>EPA (m²):</b>	0.186
<b>Mounting:</b> (all with 7.5° tilting increments)	316 stainless steel straight bracket 316 stainless steel angled bracket Slipfitter bracket
<b>Cable entry:</b>	2 x M25

## Electrical Specifications:

<b>Operating voltage:</b>	120-277 VAC / 120-250 VDC 347-415 VAC
<b>Operating temp:</b>	-40°C to +65°C
<b>EMC:</b>	CISPR 15 FCC 47CFR 15 IEC 61000-3-3 IEC 61547 IEC 61000-3-2
<b>Transient protection:</b>	6KV/3KA combination wave, as per IEEE C62.41, line-line and line-ground. 10kV/5kA for non-hazardous models
<b>Optional:</b>	
<b>THD:</b>	< 20%
<b>Power Factor:</b>	> 0.9
<b>Dimming:</b>	DALI 2.0 compatible/ 0-10 VDC (standard)
<b>Construction:</b>	
<b>Housing:</b>	A360 Die-cast aluminum
<b>Hardware:</b>	316 stainless steel
<b>Finish:</b>	Superior epoxy and polyester dual coat finish
<b>Lens:</b>	Integrated PC Optic/Lens, Glass Lens Cover, PC Lens Cover

## Photometric Information:

<b>CRI:</b>	70 (80 optional)
<b>CCT:</b>	5000K (cool white) 4000K (neutral white) 2700K (warm white) - 80 CRI Amber
<b>Beam pattern:</b>	Medium - 55° Wide - 125° Very Wide - 131° x 108° Asymmetric - Forward Distribution
<b>IES files:</b>	Available at <a href="http://www.dialight.com">www.dialight.com</a>

All values typical unless otherwise stated (tolerance +/- 10%)

**WARNING - INSTALLATION & SECONDARY RETENTION.** Use of any Dialight products without proper installation (including secondary retention / netting) and periodic inspections could cause severe injury or death. Dialight recommends that all installations should use secondary retention / netting (appropriate to the installation environment) where applicable. It is the exclusive responsibility of the contractor, installer and/or end-user to: (a) determine the suitability of the product for its intended application; and, (b) ensure that the product is safely installed (with secondary retention / netting where appropriate) and in compliance with all applicable laws and regulations. To the extent permissible under applicable laws, Dialight disclaims all liability for personal injury and/or other damage resulting from any dislodgment or other dislocation of its products.

# Ordering Information

## ProSite LED Floodlight - CE / RCM



Industrial - CE / RCM							
Part Number	Fixture Lumens	Wattage	lm/W	Voltage	CCT	Lens	Beam Distribution
<b>12,000lm Models</b>							
F1E-N7B2-BDEN-VGN	13,200	81	163	120-277VAC / 120-250VDC	5000k (cool white)	Integrated PC	Very Wide (131° x 108°)
F1E-N6B2-BDEN-VGN	13,200	81	163	120-277VAC / 120-250VDC	5000k (cool white)	Integrated PC	Wide (125°)
F1E-N4B2-BDEN-VGN	13,200	81	163	120-277VAC / 120-250VDC	5000k (cool white)	Integrated PC	Medium (56°)
F1E-7FB2-BDEN-VGN	12,200	81	151	120-277VAC / 120-250VDC	5000k (cool white)	Glass	Asymmetric
F1E-N7L2-BDEN-VGN	13,200	81	163	120-277VAC / 120-250VDC	4000k (neutral white)	Integrated PC	Very Wide (131° x 108°)
<b>F1E-N6L2-BDEN-VGN</b>	13,200	81	163	120-277VAC / 120-250VDC	4000k (neutral white)	Integrated PC	Wide (125°)
F1E-N4L2-BDEN-VGN	13,200	81	163	120-277VAC / 120-250VDC	4000k (neutral white)	Integrated PC	Medium (56°)
<b>F1E-7FL2-BDEN-VGN</b>	12,200	81	151	120-277VAC / 120-250VDC	4000k (neutral white)	Glass	Asymmetric
<b>18,000lm Models</b>							
F1E-N7B2-CDEN-VGN	19,100	124	154	120-277VAC / 120-250VDC	5000k (cool white)	Integrated PC	Very Wide (131° x 108°)
<b>F1E-N6B2-CDEN-VGN</b>	19,100	124	154	120-277VAC / 120-250VDC	5000k (cool white)	Integrated PC	Wide (125°)
F1E-N4B2-CDEN-VGN	19,100	124	154	120-277VAC / 120-250VDC	5000k (cool white)	Integrated PC	Medium (56°)
F1E-7FB2-CDEN-VGN	17,700	124	143	120-277VAC / 120-250VDC	5000k (cool white)	Glass	Asymmetric
F1E-N7L2-CDEN-VGN	19,100	124	154	120-277VAC / 120-250VDC	4000k (neutral white)	Integrated PC	Very Wide (131° x 108°)
<b>F1E-N6L2-CDEN-VGN</b>	19,100	124	154	120-277VAC / 120-250VDC	4000k (neutral white)	Integrated PC	Wide (125°)
F1E-N4L2-CDEN-VGN	19,100	124	154	120-277VAC / 120-250VDC	4000k (neutral white)	Integrated PC	Medium (56°)
<b>F1E-7FL2-CDEN-VGN</b>	17,700	124	143	120-277VAC / 120-250VDC	4000k (neutral white)	Glass	Asymmetric
<b>30,000lm Models</b>							
F1E-N7B2-FDEN-VGN	31,600	234	135	120-277VAC / 120-250VDC	5000k (cool white)	Integrated PC	Very Wide (131° x 108°)
<b>F1E-N6B2-FDEN-VGN</b>	31,600	234	135	120-277VAC / 120-250VDC	5000k (cool white)	Integrated PC	Wide (125°)
F1E-N4B2-FDEN-VGN	31,600	234	135	120-277VAC / 120-250VDC	5000k (cool white)	Integrated PC	Medium (56°)
F1E-7FB2-FDEN-VGN	29,200	234	125	120-277VAC / 120-250VDC	5000k (cool white)	Glass	Asymmetric
F1E-N7L2-FDEN-VGN	31,600	234	135	120-277VAC / 120-250VDC	4000k (neutral white)	Integrated PC	Very Wide (131° x 108°)
<b>F1E-N6L2-FDEN-VGN</b>	31,600	234	135	120-277VAC / 120-250VDC	4000k (neutral white)	Integrated PC	Wide (125°)
F1E-N4L2-FDEN-VGN	31,600	234	135	120-277VAC / 120-250VDC	4000k (neutral white)	Integrated PC	Medium (56°)
<b>F1E-7FL2-FDEN-VGN</b>	29,200	234	125	120-277VAC / 120-250VDC	4000k (neutral white)	Glass	Asymmetric
<b>Amber Models</b>							
<b>F1E-7FA2-BDEN-VGN</b>	11,700	226	52	120-277VAC / 120-250VDC	Amber	Glass	Asymmetric

All values typical unless otherwise stated (tolerance +/- 10%).

Part numbers listed in **bold** are typically available in stock.

Voltage - For 347-415 VAC change the 7th character to '5'.

CCT - For 2700k change 6th character to 'W'.

Lens - For glass lens cover change 4th character to a '7', For PC lens cover change 4th character to a '4'.

Surge Protection - For 10kV surge protection 120-277 VAC change 7th character to '8'. For 10kV surge protection 347-415 VAC change 7th character to '9'.

PE Cell - For NEMA PE Cell Receptacle with shorting cap change 9th character to 'S'.

Mounting Bracket - Angled Bracket supplied as standard - for straight bracket change 10th character to 'F'.

**DISCLAIMER.** All product information provided is, to the best of Dialight's knowledge, accurate as of the date of publication. When ordering, refer to [www.dialight.com](http://www.dialight.com) for current versions of: (a) relevant product documentation (including the relevant product data sheets); (b) Dialight terms and conditions of sale; and, (c) the relevant product warranty. To the extent that any contract is deemed formed between Dialight and the purchaser of Dialight products and/or an end-user, versions of documents available at [www.dialight.com](http://www.dialight.com) as at the date of sale shall be the versions incorporated therein. In the event of any discrepancy between this document or information provided at [www.dialight.com](http://www.dialight.com), the latter shall prevail.

# Ordering Information

ProSite LED Floodlight - CE / RCM / ATEX / IECEx



Hazardous - ATEX/IECEx Zone 2, 21, 22							
Part Number	Fixture Lumens	Wattage	lm/W	Voltage	CCT	Lens	Beam Distribution
<b>12,000lm Models</b>							
F1B-77B2-BDEN-VGN	12,500	81	154	120-277VAC / 130 - 250VDC	5000k (cool white)	Glass	Very Wide (131° x 108°)
F1B-76B2-BDEN-VGN	12,500	81	154	120-277VAC / 130 - 250VDC	5000k (cool white)	Glass	Wide (125°)
F1B-74B2-BDEN-VGN	12,500	81	154	120-277VAC / 130 - 250VDC	5000k (cool white)	Glass	Medium (56°)
F1B-7FB2-BDEN-VGN	12,200	81	151	120-277VAC / 130 - 250VDC	5000k (cool white)	Glass	Asymmetric
F1B-77L2-BDEN-VGN	12,500	81	154	120-277VAC / 130 - 250VDC	4000k (neutral white)	Glass	Very Wide (131° x 108°)
F1B-76L2-BDEN-VGN	12,500	81	154	120-277VAC / 130 - 250VDC	4000k (neutral white)	Glass	Wide (125°)
F1B-74L2-BDEN-VGN	12,500	81	154	120-277VAC / 130 - 250VDC	4000k (neutral white)	Glass	Medium (56°)
F1B-7FL2-BDEN-VGN	12,200	81	151	120-277VAC / 130 - 250VDC	4000k (neutral white)	Glass	Asymmetric
<b>18,000lm Models</b>							
F1B-77B2-CDEN-VGN	18,000	124	145	120-277VAC / 130 - 250VDC	5000k (cool white)	Glass	Very Wide (131° x 108°)
F1B-76B2-CDEN-VGN	18,000	124	145	120-277VAC / 130 - 250VDC	5000k (cool white)	Glass	Wide (125°)
F1B-74B2-CDEN-VGN	18,000	124	145	120-277VAC / 130 - 250VDC	5000k (cool white)	Glass	Medium (56°)
F1B-7FB2-CDEN-VGN	17,700	124	143	120-277VAC / 130 - 250VDC	5000k (cool white)	Glass	Asymmetric
F1B-77L2-CDEN-VGN	18,000	124	145	120-277VAC / 130 - 250VDC	4000k (neutral white)	Glass	Very Wide (131° x 108°)
<b>F1B-76L2-CDEN-VGN</b>	18,000	124	145	120-277VAC / 130 - 250VDC	4000k (neutral white)	Glass	Wide (125°)
F1B-74L2-CDEN-VGN	18,000	124	145	120-277VAC / 130 - 250VDC	4000k (neutral white)	Glass	Medium (56°)
F1B-7FL2-CDEN-VGN	17,700	124	143	120-277VAC / 130 - 250VDC	4000k (neutral white)	Glass	Asymmetric
<b>30,000lm Models</b>							
F1B-77B2-FDEN-VGN	29,900	234	128	120-277VAC / 130 - 250VDC	5000k (cool white)	Glass	Very Wide (131° x 108°)
F1B-76B2-FDEN-VGN	29,900	234	128	120-277VAC / 130 - 250VDC	5000k (cool white)	Glass	Wide (125°)
F1B-74B2-FDEN-VGN	29,900	234	128	120-277VAC / 130 - 250VDC	5000k (cool white)	Glass	Medium (56°)
F1B-7FB2-FDEN-VGN	29,200	234	125	120-277VAC / 130 - 250VDC	5000k (cool white)	Glass	Asymmetric
F1B-77L2-FDEN-VGN	29,900	234	128	120-277VAC / 130 - 250VDC	4000k (neutral white)	Glass	Very Wide (131° x 108°)
<b>F1B-76L2-FDEN-VGN</b>	29,900	234	128	120-277VAC / 130 - 250VDC	4000k (neutral white)	Glass	Wide (125°)
F1B-74L2-FDEN-VGN	29,900	234	128	120-277VAC / 130 - 250VDC	4000k (neutral white)	Glass	Medium (56°)
F1B-7FL2-FDEN-VGN	29,200	234	125	120-277VAC / 130 - 250VDC	4000k (neutral white)	Glass	Asymmetric
<b>Amber Models</b>							
F1B-7FA2-BDEN-VGN	11,700	226	52	120-277VAC / 130 - 250VDC	Amber	Glass	Asymmetric
<b>F1B-76A2-BDEN-VGN</b>	12,000	226	52	120-277VAC / 130 - 250VDC	Amber	Glass	Wide (125°)

All values typical unless otherwise stated (tolerance +/- 10%).

Part numbers listed in **bold** are typically available in stock.

CCT - For 2700k change 6th character to 'W'.

Mounting Bracket - Angled Bracket supplied as standard - for straight bracket change 10th character to 'F'.

**DISCLAIMER.** All product information provided is, to the best of Dialight's knowledge, accurate as of the date of publication. When ordering, refer to [www.dialight.com](http://www.dialight.com) for current versions of: (a) relevant product documentation (including the relevant product data sheets); (b) Dialight terms and conditions of sale; and, (c) the relevant product warranty. To the extent that any contract is deemed formed between Dialight and the purchaser of Dialight products and/or an end-user, versions of documents available at [www.dialight.com](http://www.dialight.com) as at the date of sale shall be the versions incorporated therein. In the event of any discrepancy between this document or information provided at [www.dialight.com](http://www.dialight.com), the latter shall prevail.

# ProSite LED Floodlight - CE / RCM / ATEX / IECEx

## F2 Models

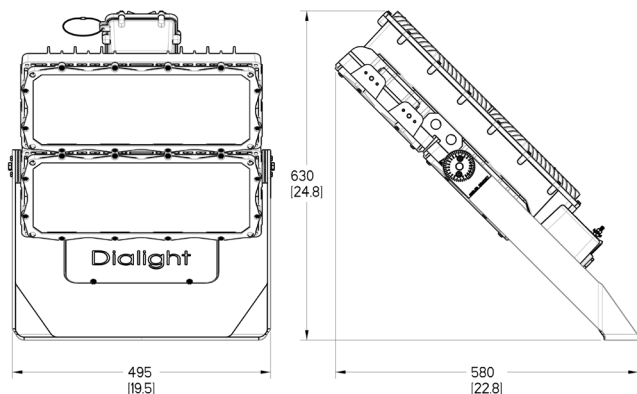


Patent Pending

### Certifications & Ratings

- 10 year warranty
- CE / ENEC / RCM
- ATEX/IECEx Zone 2, 21 & 22
  - Ex ec IIC T4 Gc
  - Ex tb IIC T110°C Db
  - ITS-I 22 ATEX 29411X
  - ITS-I 22 ATEX 29411X
  - IECEx ETL 22.0001X
- IP66/67
- DNV
- IK10 (integrated PC optic/lens/lens cover), IK08 (glass lens cover)
- L70 > 150,000 hours @ 25°C ambient

### Angled Bracket



Dimensions in mm [inches]

### Mechanical Information:

<b>Fixture weight:</b>	19.5 - 24.5 kg
<b>Shipping weight:</b>	~25.5 kg
<b>EPA (m<sup>2</sup>):</b>	0.310
<b>Mounting:</b>	316 stainless steel straight bracket (all with 7.5° tilting increments) 316 stainless steel angled bracket
<b>Cable entry:</b>	2 x M25

### Electrical Specifications:

**Operating voltage:** 120-277 VAC / 120-250 VDC  
347-415 VAC

**Operating temp:** -40°C to +65°C  
-40°C to +55°C - 60klm

**EMC:** CISPR 15  
FCC 47CFR 15  
IEC 61000-3-3  
IEC 61547  
IEC 61000-3-2

**Transient protection:** 6KV/3KA combination wave, as per IEEE  
C62.41, line-line and line-ground.  
Optional: 10kV/5kA for non-hazardous models

**THD:** < 20%

**Power Factor:** > 0.9

**Dimming:** DALI 2.0 compatible / 0-10VDC

### Construction:

**Housing:** A360 Die-cast aluminum

**Hardware:** 316 stainless steel

**Finish:** Superior epoxy and polyester  
dual coat finish

**Lens:** Integrated PC Optic/Lens,  
Glass Lens Cover, PC Lens Cover

### Photometric Information:

**CRI:** 70 (80 optional)

**CCT:** 5000K (cool white)  
4000K (neutral white)  
2700K (warm white) - 80 CRI  
Amber

**Beam pattern:** Medium - 55°  
Wide - 125°  
Very Wide - 131° x 108°  
Asymmetric - Forward Distribution

**IES files:** Available at [www.dialight.com](http://www.dialight.com)

All values typical unless otherwise stated (tolerance +/- 10%)

**WARNING - INSTALLATION & SECONDARY RETENTION.** Use of any Dialight products without proper installation (including secondary retention / netting) and periodic inspections could cause severe injury or death. Dialight recommends that all installations should use secondary retention / netting (appropriate to the installation environment) where applicable. It is the exclusive responsibility of the contractor, installer and/or end-user to: (a) determine the suitability of the product for its intended application; and, (b) ensure that the product is safely installed (with secondary retention / netting where appropriate) and in compliance with all applicable laws and regulations. To the extent permissible under applicable laws, Dialight disclaims all liability for personal injury and/or other damage resulting from any dislodgment or other dislocation of its products.

# Ordering Information

## ProSite LED Floodlight - CE / RCM



Industrial - CE / RCM							
Part Number	Fixture Lumens	Wattage	lm/W	Voltage	CCT	Lens	Beam Distribution
<b>60,000lm Models - 10kV Surge Protection</b>							
F2E-N7B8-NDEN-VGN	65,000	484	134	120-277VAC / 120-250VDC	5000k (cool white)	Integrated PC	Very Wide (131° x 108°)
F2E-N6B8-NDEN-VGN	65,000	484	134	120-277VAC / 120-250VDC	5000k (cool white)	Integrated PC	Wide (125°)
F2E-N4B8-NDEN-VGN	65,000	484	134	120-277VAC / 120-250VDC	5000k (cool white)	Integrated PC	Medium (56°)
F2E-7FB8-NDEN-VGN	60,100	484	124	120-277VAC / 120-250VDC	5000k (cool white)	Glass	Asymmetric
F2E-N7L8-NDEN-VGN	65,000	484	134	120-277VAC / 120-250VDC	4000k (neutral white)	Integrated PC	Very Wide (131° x 108°)
<b>F2E-N6L8-NDEN-VGN</b>	65,000	484	134	120-277VAC / 120-250VDC	4000k (neutral white)	Integrated PC	Wide (125°)
<b>F2E-N4L8-NDEN-VGN</b>	65,000	484	134	120-277VAC / 120-250VDC	4000k (neutral white)	Integrated PC	Medium (56°)
<b>F2E-7FL8-NDEN-VGN</b>	60,100	484	124	120-277VAC / 120-250VDC	4000k (neutral white)	Glass	Asymmetric
<b>Amber Models</b>							
<b>F2E-7FA2-EDEN-VGN</b>	23,800	461	52	120-277VAC / 120-250VDC	Amber	Glass	Asymmetric
<b>60,000lm Models - 415 VAC 10kV Surge Protection</b>							
F2E-N7B9-NDEN-VGN	65,000	499	130	347-415VAC	5000k (cool white)	Integrated PC	Very Wide (131° x 108°)
F2E-N6B9-NDEN-VGN	65,000	499	130	347-415VAC	5000k (cool white)	Integrated PC	Wide (125°)
F2E-N4B9-NDEN-VGN	65,000	499	130	347-415VAC	5000k (cool white)	Integrated PC	Medium (56°)
F2E-7FB9-NDEN-VGN	60,100	499	120	347-415VAC	5000k (cool white)	Glass	Asymmetric
F2E-N7L9-NDEN-VGN	65,000	499	130	347-415VAC	4000k (neutral white)	Integrated PC	Very Wide (131° x 108°)
F2E-N6L9-NDEN-VGN	65,000	499	130	347-415VAC	4000k (neutral white)	Integrated PC	Wide (125°)
F2E-N4L9-NDEN-VGN	65,000	499	130	347-415VAC	4000k (neutral white)	Integrated PC	Medium (56°)
<b>F2E-7FL9-NDEN-VGN</b>	60,100	499	120	347-415VAC	4000k (neutral white)	Glass	Asymmetric

All values typical unless otherwise stated (tolerance +/- 10%).

Part numbers listed in **bold** are typically available in stock.

CCT - For 2700k change 6th character to 'W'.

Lens - For glass lens cover change 4th character to a '7', For PC lens cover change 4th character to a '4'.

PE Cell - For NEMA PE Cell Receptacle with shorting cap change 9th character to 'S'.

Mounting Bracket - Angled Bracket supplied as standard - for straight bracket change 10th character to 'F'.



Hazardous - ATEX/IECEX Zone 2, 21, 22							
Part Number	Fixture Lumens	Wattage	lm/W	Voltage	CCT	Lens	Beam Distribution
<b>60,000lm Models</b>							
F2B-77B2-NDEN-VGN	61,400	484	127	120-277VAC / 130-250VDC	5000k (cool white)	Glass	Very Wide (131° x 108°)
F2B-76B2-NDEN-VGN	61,400	484	127	120-277VAC / 130-250VDC	5000k (cool white)	Glass	Wide (125°)
F2B-74B2-NDEN-VGN	61,400	484	127	120-277VAC / 130-250VDC	5000k (cool white)	Glass	Medium (56°)
F2B-7FB2-NDEN-VGN	60,100	484	124	120-277VAC / 130-250VDC	5000k (cool white)	Glass	Asymmetric
F2B-77L2-NDEN-VGN	61,400	484	127	120-277VAC / 130-250VDC	4000k (neutral white)	Glass	Very Wide (131° x 108°)
F2B-76L2-NDEN-VGN	61,400	484	127	120-277VAC / 130-250VDC	4000k (neutral white)	Glass	Wide (125°)
F2B-74L2-NDEN-VGN	61,400	484	127	120-277VAC / 130-250VDC	4000k (neutral white)	Glass	Medium (56°)
F2B-7FL2-NDEN-VGN	60,100	484	124	120-277VAC / 130-250VDC	4000k (neutral white)	Glass	Asymmetric
<b>Amber Models</b>							
<b>F2B-7FA2-EDEN-VGN</b>	27,200	461	59	120-277VAC / 130-250VDC	Amber	Glass	Asymmetric

All values typical unless otherwise stated (tolerance +/- 10%).

CCT - For 2700k change 6th character to 'W'.

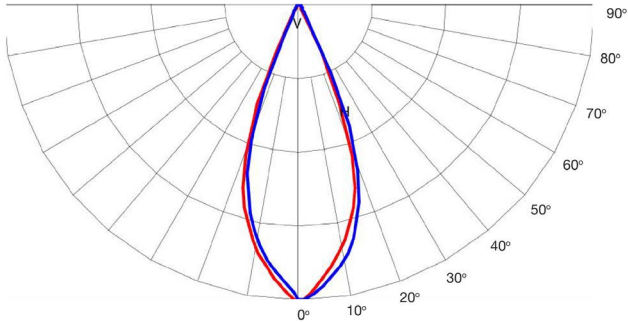
Mounting Bracket - Angled Bracket supplied as standard - for straight bracket change 10th character to 'F'.

**DISCLAIMER.** All product information provided is, to the best of Dialight's knowledge, accurate as of the date of publication. When ordering, refer to [www.dialight.com](http://www.dialight.com) for current versions of: (a) relevant product documentation (including the relevant product data sheets); (b) Dialight terms and conditions of sale; and, (c) the relevant product warranty. To the extent that any contract is deemed formed between Dialight and the purchaser of Dialight products and/or an end-user, versions of documents available at [www.dialight.com](http://www.dialight.com) as at the date of sale shall be the versions incorporated therein. In the event of any discrepancy between this document or information provided at [www.dialight.com](http://www.dialight.com), the latter shall prevail.

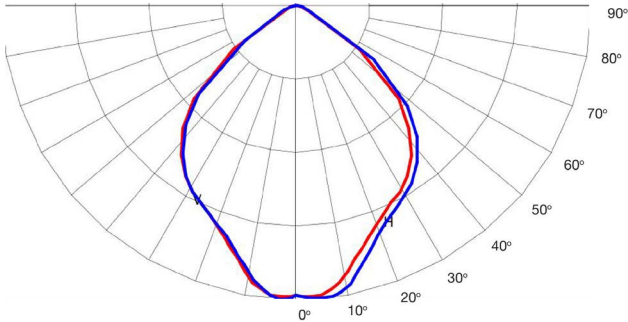


# Beam Distribution & Accessories

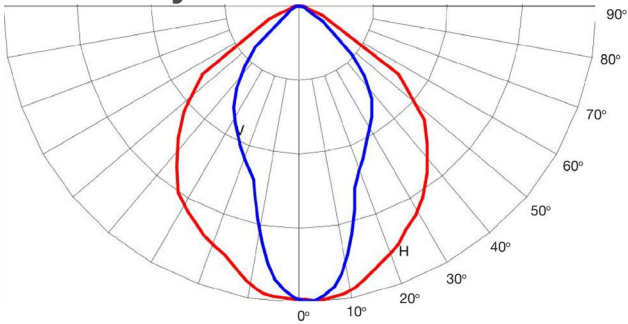
Medium - 55°



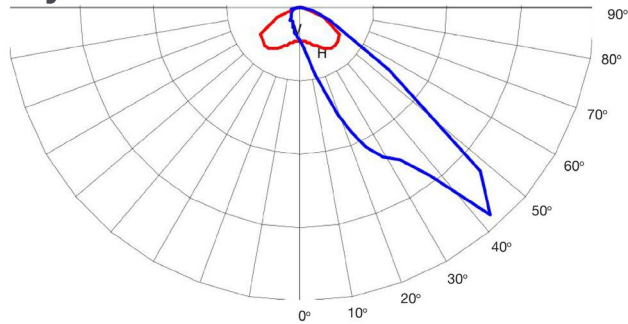
Wide - 125°



Very Wide - 131°x108°



Asymmetric - Forward Distribution



**F1VISOR**  
• F1 visor NEMA optics



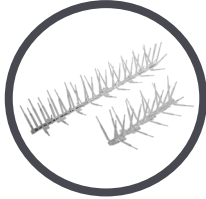
**F2VISOR**  
• F2 visor NEMA optics



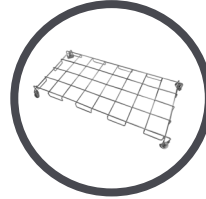
**F2AVISOR**  
• F2 visor asymmetric optics



**H6XCAB72<sup>1</sup>**  
• 72" stainless steel safety rope  
• Kit includes: (1) cable  
**H6XCAB60<sup>1</sup>**  
• 60" stainless steel safety rope  
• Kit includes: (1) cable



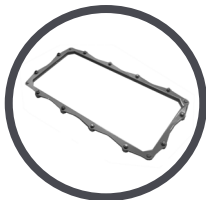
**F1SPIKES**  
**F2SPIKES**  
• Bird spikes



**FLWG**  
• Wire guard  
• Kit includes (1) assembly



**FL10KV277**  
• 10kV surge protection 100-277V  
**FL10KV480**  
• 10kV surge protection 347-480V



**FLGLASSLG**  
• Glass lens, grey  
**FLPCLG**  
• Polycarb lens, grey  
• Kit includes (1) assembly

<sup>1</sup>F1 models require 1 cable per unit. F2 models require 2 cables per unit.  
Replacement parts available. Please contact a Dialight sales representative or see spec sheet.

**DISCLAIMER.** All product information provided is, to the best of Dialight's knowledge, accurate as of the date of publication. When ordering, refer to [www.dialight.com](http://www.dialight.com) for current versions of: (a) relevant product documentation (including the relevant product data sheets); (b) Dialight terms and conditions of sale; and, (c) the relevant product warranty. To the extent that any contract is deemed formed between Dialight and the purchaser of Dialight products and/or an end-user, versions of documents available at [www.dialight.com](http://www.dialight.com) as at the date of sale shall be the versions incorporated therein. In the event of any discrepancy between this document or information provided at [www.dialight.com](http://www.dialight.com), the latter shall prevail.

# Vigilant® LED High Bay - RCM / CE / UL

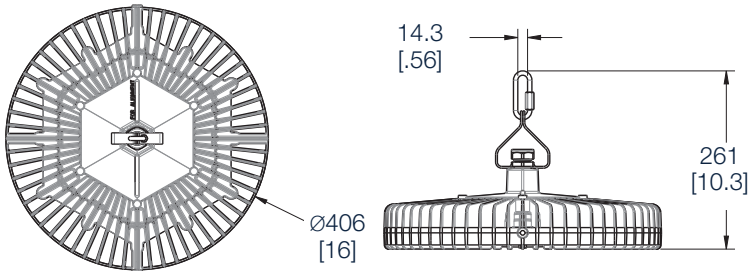
## Standard Models



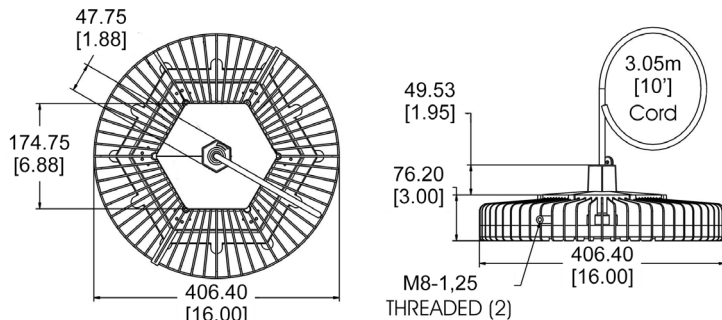
### Certifications & Ratings

- 10 year warranty
- L70 >150,000 hours @ 25°C ambient
- CE / RCM / UL 1598/A (wet locations)
- IK10 to EN 50102 (Polycarbonate lens)  
IK06 to EN 50102 (Acrylic lens)  
IK05 to EN 50102 (Glass lens)

### CE/RCM Model



### UL Model



Dimensions in mm [inches]

### Mechanical Information:

<b>Fixture weight:</b>	8.2 kg (18 lb)
<b>Shipping weight:</b>	10.9 kg (24 lb)
<b>Mounting:</b>	Hook (CE/RCM) or 3/4" NPT Pendant (UL) swivel bracket (sold separately) Secondary retention option available
<b>Cabling:</b>	1.8m H07BN4-F power cord (CE/RCM) or 3m STOOW power cord (UL)

### Electrical Specifications:

<b>Operating Voltage:</b>	100-277 VAC, 120-250 VDC
<b>Total system power consumption:</b>	See table
<b>Operating Temp:</b>	-40°C to +65°C (-40°F to +149°F)
<b>Harmonics:</b>	IEC 61000-3-2
<b>Transient protection:</b>	Tested to withstand up to 8kV/4kA per IEEE C62.41

**THD:** <20%

**Power Factor:** > 0.9

### Construction:

<b>Housing:</b>	Copper free aluminum
<b>Finish:</b>	Superior dual coat finish - Sealed polyester topcoat - Chemical-resistant epoxy primer
<b>Lens:</b>	Tempered glass Polycarbonate (flat or dome) Acrylic (flat)

### Photometric Information:

<b>CRI:</b>	80
<b>CCT:</b>	5000K (cool white) 4000K (neutral white) 2700K (warm white)

All values typical unless otherwise stated (tolerance +/- 10%)

**WARNING - INSTALLATION & SECONDARY RETENTION.** Use of any Dialight products without proper installation (including secondary retention / netting) and periodic inspections could cause severe injury or death. Dialight recommends that all installations should use secondary retention / netting (appropriate to the installation environment) where applicable. It is the exclusive responsibility of the contractor, installer and/or end-user to: (a) determine the suitability of the product for its intended application; and, (b) ensure that the product is safely installed (with secondary retention / netting where appropriate) and in compliance with all applicable laws and regulations. To the extent permissible under applicable laws, Dialight disclaims all liability for personal injury and/or other damage resulting from any dislodgment or other dislocation of its products.

# Vigilant® LED High Bay - RCM / CE

## Ordering Information

Part Number	Fixture Lumens	Wattage	lm/W	Voltage	Colour Temperature (CCT)	Beam Distribution
<b>RCM / CE - Slim Body - Glass Lens - HEE7, VEE7</b>						
HEE7MN2ANH-VZGN	11,400	80	143	100-277 VAC, 120-250 VDC	4000K (neutral white)	Medium
<b>HEE7MN2BNH-VZGN</b>	14,600	100	146	100-277 VAC, 120-250 VDC	4000K (neutral white)	Medium
<b>HEE7MN2CNH-VZGN</b>	19,400	130	149	100-277 VAC, 120-250 VDC	4000K (neutral white)	Medium
<b>HEE7MN2ENH-VZGN</b>	27,000	185	146	100-277 VAC, 120-250 VDC	4000K (neutral white)	Medium
<b>VEE7MN2HNH-VZGN</b>	32,300	195	166	100-277 VAC, 120-250 VDC	4000K (neutral white)	Medium
<b>VEE7MN2JNH-VZGN</b>	37,400	230	163	100-277 VAC, 120-250 VDC	4000K (neutral white)	Medium
HEE7MC2ANH-VZGN	11,600	80	145	100-277 VAC, 120-250 VDC	5000K (cool white)	Medium
HEE7MC2BNH-VZGN	14,900	100	149	100-277 VAC, 120-250 VDC	5000K (cool white)	Medium
<b>HEE7MC2CNH-VZGN</b>	19,800	130	152	100-277 VAC, 120-250 VDC	5000K (cool white)	Medium
<b>HEE7MC2ENH-VZGN</b>	27,500	185	149	100-277 VAC, 120-250 VDC	5000K (cool white)	Medium
VEE7MC2HNH-VZGN	32,300	195	166	100-277 VAC, 120-250 VDC	5000K (cool white)	Medium
VEE7MC2JNH-VZGN	37,400	230	163	100-277 VAC, 120-250 VDC	5000K (cool white)	Medium
<b>RCM / CE - Slim Body - Acrylic Lens - HEE2</b>						
HEE2MN2ANH-VZGN	11,300	80	141	100-277 VAC, 120-250 VDC	4000K (neutral white)	Medium
HEE2MN2BNH-VZGN	14,500	100	145	100-277 VAC, 120-250 VDC	4000K (neutral white)	Medium
HEE2MN2CNH-VZGN	19,200	130	148	100-277 VAC, 120-250 VDC	4000K (neutral white)	Medium
HEE2MN2ENH-VZGN	26,700	185	144	100-277 VAC, 120-250 VDC	4000K (neutral white)	Medium
HEE2MC2ANH-VZGN	11,500	80	144	100-277 VAC, 120-250 VDC	5000K (cool white)	Medium
HEE2MC2BNH-VZGN	14,800	100	148	100-277 VAC, 120-250 VDC	5000K (cool white)	Medium
<b>HEE2MC2CNH-VZGN</b>	19,600	130	151	100-277 VAC, 120-250 VDC	5000K (cool white)	Medium
<b>HEE2MC2ENH-VZGN</b>	27,200	185	147	100-277 VAC, 120-250 VDC	5000K (cool white)	Medium
<b>RCM / CE - Slim Body - Polycarbonate Dome Lens - HEEL</b>						
HEELMN2ANH-VZGN	11,100	80	139	100-277 VAC, 120-250 VDC	4000K (neutral white)	Medium
<b>HEELMN2BNH-VZGN</b>	14,300	100	143	100-277 VAC, 120-250 VDC	4000K (neutral white)	Medium
<b>HEELMN2CNH-VZGN</b>	19,000	130	146	100-277 VAC, 120-250 VDC	4000K (neutral white)	Medium
<b>HEELMN2ENH-VZGN</b>	26,400	185	143	100-277 VAC, 120-250 VDC	4000K (neutral white)	Medium
HEELMC2ANH-VZGN	11,400	80	143	100-277 VAC, 120-250 VDC	5000K (cool white)	Medium
HEELMC2BNH-VZGN	14,600	100	146	100-277 VAC, 120-250 VDC	5000K (cool white)	Medium
HEELMC2CNH-VZGN	19,400	130	149	100-277 VAC, 120-250 VDC	5000K (cool white)	Medium
HEELMC2ENH-VZGN	27,000	185	146	100-277 VAC, 120-250 VDC	5000K (cool white)	Medium

All values typical unless otherwise stated (tolerance +/- 10%).

For additional controls options including IntelliLED wireless controls, contact a Dialight sales representative for spec sheet.

Part numbers listed in bold are typically available in stock.

Historical part number provided for reference only. For performance characteristics of historical product, please contact your local representative.

**DISCLAIMER.** All product information provided is, to the best of Dialight's knowledge, accurate as of the date of publication. When ordering, refer to [www.dialight.com](http://www.dialight.com) for current versions of: (a) relevant product documentation (including the relevant product data sheets); (b) Dialight terms and conditions of sale; and, (c) the relevant product warranty. To the extent that any contract is deemed formed between Dialight and the purchaser of Dialight products and/or an end-user, versions of documents available at [www.dialight.com](http://www.dialight.com) as at the date of sale shall be the versions incorporated therein. In the event of any discrepancy between this document or information provided at [www.dialight.com](http://www.dialight.com), the latter shall prevail.

# Vigilant® LED High Bay - UL

## Ordering Information

Part Number	Legacy Part Number	Fixture Lumens	Wattage	lm/W	Voltage	Colour Temperature	Lens	Beam Distribution
<b>UL - 3/4" NPT Models - Neutral White</b>								
HEU7MN2ANN-WNGN	HEGMN4DN-SNG	11,400	80	143	100-277 VAC, 120-250 VDC	4000K (neutral white)	Clear Tempered Glass	Medium
HEU7MN2BNN-WNGN	HEGMN4GN-SNG	14,600	100	146	100-277 VAC, 120-250 VDC	4000K (neutral white)	Clear Tempered Glass	Medium
HEU7MN2CNN-WNGN	HEGMN4KN-SNG	19,400	130	149	100-277 VAC, 120-250 VDC	4000K (neutral white)	Clear Tempered Glass	Medium
HEU7MN2ENN-WNGN	HEGMN4PN-SNG	27,000	185	146	100-277 VAC, 120-250 VDC	4000K (neutral white)	Clear Tempered Glass	Medium
VEU7MN2HNN-WNGN		32,300	195	166	100-277 VAC, 120-250 VDC	4000K (neutral white)	Clear Tempered Glass	Medium
VEU7MN2JNN-WNGN		37,400	230	163	100-277 VAC, 120-250 VDC	4000K (neutral white)	Clear Tempered Glass	Medium
<b>UL - 3/4" NPT Models - Cool White</b>								
HEU7MC2ANN-WNGN	HEGMC4DN-SNG	11,600	80	145	100-277 VAC, 120-250 VDC	5000K (cool white)	Clear Tempered Glass	Medium
HEU7MC2BNN-WNGN	HEGMC4GN-SNG	14,900	100	149	100-277 VAC, 120-250 VDC	5000K (cool white)	Clear Tempered Glass	Medium
HEU7MC2CNN-WNGN	HEGMC4KN-SNG	19,800	130	152	100-277 VAC, 120-250 VDC	5000K (cool white)	Clear Tempered Glass	Medium
HEU7MC2ENN-WNGN	HEGMC4PN-SNG	27,500	185	149	100-277 VAC, 120-250 VDC	5000K (cool white)	Clear Tempered Glass	Medium
VEU7MC2HNN-WNGN		32,300	195	166	100-277 VAC, 120-250 VDC	5000K (cool white)	Clear Tempered Glass	Medium
VEU7MC2JNN-WNGN		37,400	230	163	100-277 VAC, 120-250 VDC	5000K (cool white)	Clear Tempered Glass	Medium
<b>UL - 3/4" NPT Models - Neutral White</b>								
HEU2MN2ANN-WNGN	HE1MN4DN-SNG	11,300	80	141	100-277 VAC, 120-250 VDC	4000K (neutral white)	Clear Acrylic	Medium
HEU2MN2BNN-WNGN	HE1MN4GN-SNG	14,500	100	145	100-277 VAC, 120-250 VDC	4000K (neutral white)	Clear Acrylic	Medium
HEU2MN2CNN-WNGN	HE1MN4KN-SNG	19,200	130	148	100-277 VAC, 120-250 VDC	4000K (neutral white)	Clear Acrylic	Medium
HEU2MN2ENN-WNGN	HE1MN4PN-SNG	26,700	185	144	100-277 VAC, 120-250 VDC	4000K (neutral white)	Clear Acrylic	Medium
<b>UL - 3/4" NPT Models - Cool White</b>								
HEU2MC2ANN-WNGN	HE1MC4DN-SNG	11,500	80	144	100-277 VAC, 120-250 VDC	5000K (cool white)	Clear Acrylic	Medium
HEU2MC2BNN-WNGN	HE1MC4GN-SNG	14,800	100	148	100-277 VAC, 120-250 VDC	5000K (cool white)	Clear Acrylic	Medium
HEU2MC2CNN-WNGN	HE1MC4KN-SNG	19,600	130	151	100-277 VAC, 120-250 VDC	5000K (cool white)	Clear Acrylic	Medium
HEU2MC2ENN-WNGN	HE1MC4PN-SNG	27,200	185	147	100-277 VAC, 120-250 VDC	5000K (cool white)	Clear Acrylic	Medium

**DISCLAIMER.** All product information provided is, to the best of Dialight's knowledge, accurate as of the date of publication. When ordering, refer to [www.dialight.com](http://www.dialight.com) for current versions of: (a) relevant product documentation (including the relevant product data sheets); (b) Dialight terms and conditions of sale; and, (c) the relevant product warranty. To the extent that any contract is deemed formed between Dialight and the purchaser of Dialight products and/or an end-user, versions of documents available at [www.dialight.com](http://www.dialight.com) as at the date of sale shall be the versions incorporated therein. In the event of any discrepancy between this document or information provided at [www.dialight.com](http://www.dialight.com), the latter shall prevail.

# Vigilant® LED High Bay - RCM / CE / UL

## Mounting Accessories & Beam Distribution



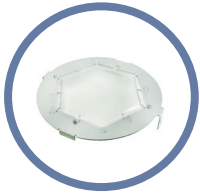
**HBXW3-SS**  
 • 316 stainless steel swivel bracket



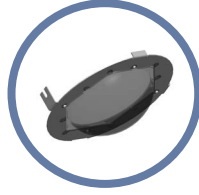
**HBXW3-SSL-316M**  
 • 316 stainless steel adjustable locking bracket



**HBXCAB48**  
 • 48" long stainless steel safety rope (for use with safety retention tabs)



**HBXSBK**  
 • LED High Bay textured flat lens  
**HBXSBL**  
 • LED High Bay sacrificial flat lens



**HBXSBDK**  
 • LED High Bay textured dome lens  
**HBXSBDL**  
 • LED High Bay sacrificial dome lens



**HBXCG**  
 • Cable gland



**HBXH**  
 • Hook  
 • UL only



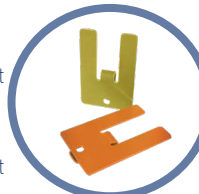
**HBXSB**  
 • 316 stainless steel safety retention tabs (4x)



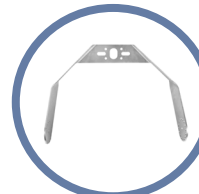
**HBXCU**  
 • Ceiling / wall mount  
 • UL only



**HBXW2**  
 • Aluminum swivel bracket and cable gland  
**HBXW3**  
 • Aluminum swivel bracket

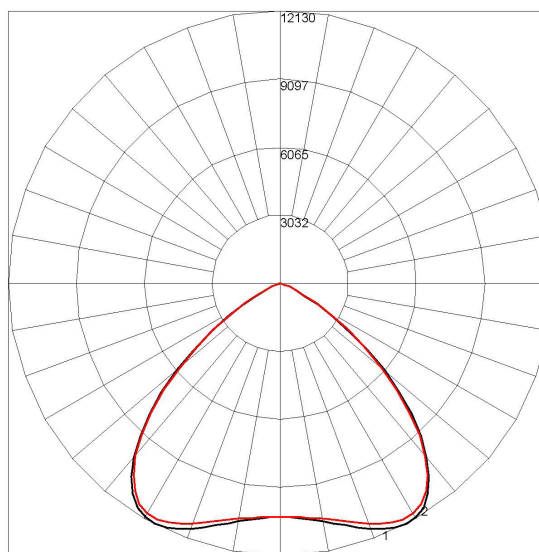


**HBXFLAG-Y**  
**HBXFLAG-O**  
 • Yellow aluminum  
 • Orange aluminum



**HBXW3-SSL-316FTM**  
 • 316 stainless steel forward throw bracket

### Medium



Maximum Candela = 12129.5 Located At Horizontal Angle = 0, Vertical Angle = 27.5  
 # 1 - Vertical Plane Through Horizontal Angles (0 - 180)  
 # 2 - Vertical Plane Through Horizontal Angles (90 - 270)

**DISCLAIMER.** All product information provided is, to the best of Dialight's knowledge, accurate as of the date of publication. When ordering, refer to [www.dialight.com](http://www.dialight.com) for current versions of: (a) relevant product documentation (including the relevant product data sheets); (b) Dialight terms and conditions of sale; and, (c) the relevant product warranty. To the extent that any contract is deemed formed between Dialight and the purchaser of Dialight products and/or an end-user, versions of documents available at [www.dialight.com](http://www.dialight.com) as at the date of sale shall be the versions incorporated therein. In the event of any discrepancy between this document or information provided at [www.dialight.com](http://www.dialight.com), the latter shall prevail.

# Vigilant® LED Low Bay

## Technical Specifications



**Mechanical Information:**

**Fixture weight:**  
8.2 kg (18 lbs)

**Shipping weight:**  
10.9 kg (24 lbs)

**Mounting:**  
Stainless Steel Hook

**Power Cord:**  
3 meters, H07RN-F Heavy Duty

**Prefix:** LEE

### Corded Models



**Mechanical Information:**

**Fixture weight:**  
9.9 kg (22 lbs)

**Shipping weight:**  
12.3 kg (27 lbs)

**Mounting:**  
Hook

**Wiring Box Cable Entries:**  
M25 x 2

**Terminals:**  
4mm<sup>2</sup> x 5

**Prefix:** LWE

### Low Bay Wiring Box with Occupancy Sensor



**Mechanical Information:**

**Fixture weight:**  
9.1 kg (20 lbs)

**Shipping weight:**  
11.8 kg (26 lbs)

**Mounting:**  
Various Kits (see page 17)

**Wiring Box Cable Entries:**  
M25 x 3

**Terminals:**  
4mm<sup>2</sup> x 5

**Prefix:** LWE

### Integrated Wiring Box

**Certifications & Ratings:**

EN 60598:2015	IP66 to EN 60529
EN 60598-2-1 (ed.1), IEC 60598-2-1 (ed.8)	IK10 to EN 50102 (Polycarbonate lens)
EN 60598-2-24:2013	IK06 to EN 50102 (Acrylic lens)
EN 62471:2008, EN 62778:2014	IK05 to EN 50102 (Glass lens)
EN 62493:2010	D-Marking to EN 60598 2-2
IEC60068	ENECE
Salt spray testing - severity 1	L70 >150,00 hours @ 25°C ambient

**Variable Dimming as Standard:**

**Variable Dimming Control:** 0-10 VDC

**Dimming Range:** 10 VDC = 100% light output  
0 VDC = <5% light output

**Electrical Specifications:**

**Operating Voltage:** 100-277 VAC, 50/60 Hz  
120-250 VDC

**Total system power consumption:** See table

**Operating Temp:** -40°C to +65°C

**Harmonics:** IEC 61000-3-2

**Noise requirement /EMC:** EN 61547: 2009  
Radiated and Conducted Emissions: EN 55015

**EMC Immunity:** EN 61547: 2009

**Transient protection:** Protection devices capable of handling up to 10kV. Tested for 10kV/2 ohm combination wave, as per IEEE C62.41, line-line and line-ground

**THD:** < 20%

**Power Factor:** > 0.9

**Construction:**

**Housing:** Copper-free aluminium

**Finish:** Superior dual coat finish  
-Sealed polyester topcoat  
-Chemical-resistant epoxy primer

**Lens:** See table

**Gaskets:** Silicone free

**Screws:** Stainless steel 316

**Photometric Information:**

**CRI:** 80

**CCT:** 5000K (cool white)  
4000K (neutral white)

All values typical unless otherwise stated (tolerance +/- 10%)

**Comparison**

	Warranty	L70
Dialight LED Low Bay	10yr	>150,000
Metal Halide	1	15,000
High Pressure Sodium	1	20,000

**WARNING - INSTALLATION & SECONDARY RETENTION.** Use of any Dialight products without proper installation (including secondary retention / netting) and periodic inspections could cause severe injury or death. Dialight recommends that all installations should use secondary retention / netting (appropriate to the installation environment) where applicable. It is the exclusive responsibility of the contractor, installer and/or end-user to: (a) determine the suitability of the product for its intended application; and, (b) ensure that the product is safely installed (with secondary retention / netting where appropriate) and in compliance with all applicable laws and regulations. To the extent permissible under applicable laws, Dialight disclaims all liability for personal injury and/or other damage resulting from any dislodgment or other dislocation of its products.

# Vigilant® LED Low Bay

## Ordering Information



Part Number	Legacy Part Number	Lumens	Watts	lm/W	Voltage	CCT	CRI	Lens	Beam Distribution
<b>Standard Model with 3 Meter Cable &amp; Hook Mount</b>									
LEELUC2CDHWNGN		18,000	154	117	100-277 VAC, 120-250 VDC	5000K	80	Diffused Domed Polycarbonate	Ultra Wide
LEELUC2BDHWNGN		14,000	114	123	100-277 VAC, 120-250 VDC	5000K	80	Diffused Domed Polycarbonate	Ultra Wide
LEELUC29DHWNGN		9,000	80	122	100-277 VAC, 120-250 VDC	5000K	80	Diffused Domed Polycarbonate	Ultra Wide
<b>LEELUN29NHVZGN</b>		8,750	80	109	100-277 VAC, 120-250 VDC	4000K	80	Diffused Domed Polycarbonate	Ultra Wide
LEELUC26DHWNGN	LBW1C1DEUH	6,000	56	116	100-277 VAC, 120-250 VDC	5000K	80	Diffused Domed Polycarbonate	Ultra Wide
LEELUC24DHWNGN	LBW1C5AEUH	4,000	42	101	100-277 VAC, 120-250 VDC	5000K	80	Diffused Domed Polycarbonate	Ultra Wide
<b>Integrated Wiring Box - Standard with HBXW3 Bracket</b>									
LWELUC2CDANNGN		18,000	154	117	100-277 VAC, 120-250 VDC	5000K	80	Diffused Domed Polycarbonate	Ultra Wide
LWELUC2BDANNGN		14,000	114	123	100-277 VAC, 120-250 VDC	5000K	80	Diffused Domed Polycarbonate	Ultra Wide
LWELUC29DANNGN		9,750	80	122	100-277 VAC, 120-250 VDC	5000K	80	Diffused Domed Polycarbonate	Ultra Wide
LWELUC29DANNGN		8,750	80	109	100-277 VAC, 120-250 VDC	5000K	80	Diffused Domed Polycarbonate	Ultra Wide
LWELUN29DANNGN		8,750	80	109	100-277 VAC, 120-250 VDC	4000K	80	Diffused Domed Polycarbonate	Ultra Wide
LWELUC26DANNGN		6,500	56	116	100-277 VAC, 120-250 VDC	5000K	80	Diffused Domed Polycarbonate	Ultra Wide
LWELUC24DANNGN		4,250	42	101	100-277 VAC, 120-250 VDC	5000K	80	Diffused Domed Polycarbonate	Ultra Wide
<b>Integrated Wiring Box with Occupancy Sensor Models - Standard with HBXW3 Bracket</b>									
LWELUC2CMANNGN		18,000	154	117	100-277 VAC, 120-250 VDC	5000K	80	Diffused Domed Polycarbonate	Ultra Wide
LWELUC2BMANNGN		14,000	114	123	100-277 VAC, 120-250 VDC	5000K	80	Diffused Domed Polycarbonate	Ultra Wide
LWELUC29MANNGN		9,750	80	122	100-277 VAC, 120-250 VDC	5000K	80	Diffused Domed Polycarbonate	Ultra Wide
LWELUC26MANNGN		6,500	56	116	100-277 VAC, 120-250 VDC	5000K	80	Diffused Domed Polycarbonate	Ultra Wide
LWELUC24MANNGN		4,250	42	101	100-277 VAC, 120-250 VDC	5000K	80	Diffused Domed Polycarbonate	Ultra Wide

All values typical unless otherwise stated (tolerance +/- 10%).

Part numbers listed in **bold** are typically available in stock.

Models in chart above are 5000K CCT. For 4000K CCT change the 6th character from C to N & deduct 3% from the lumen table.

Models with integrated wiring box are upgradeable to DALI & Wireless controls. Consult local Dialight sales office for availability.

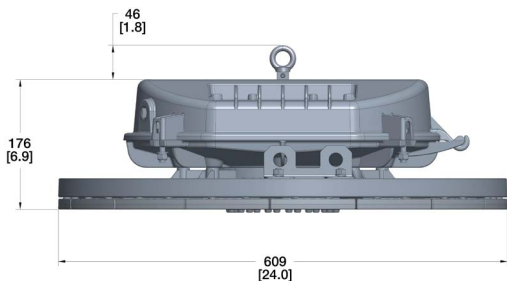
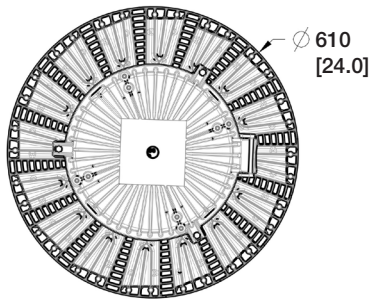
# Vigilant® LED High Output High Bay - Low Profile

## Technical Specification



### Certifications & Ratings

- 10 year warranty
- CE / RCM / ENEC
- IP66/67
- IK10 (polycarbonate) / IK06 (glass)
- L70 > 150,000 hours
- Factory installed secondary retention bracket, optional safety cable accessory available



Dimensions in mm [inches]

### Mechanical Information:

<b>Fixture weight:</b>	21.8 kg (48 lbs)
<b>Shipping weight:</b>	28.1 kg (62 lbs)
<b>Mounting:</b>	(1) Loop
<b>Wiring entries:</b>	(2) M25

### Materials:

<b>Housing:</b>	A360 Die-cast aluminium
<b>Finish:</b>	Superior dual coat finish - Sealed polyester topcoat - Chemical-resistant epoxy primer
<b>Lens options:</b>	Tempered glass, Acrylic or Polycarbonate
<b>Hardware:</b>	316 Stainless Steel

### Electrical Specifications:

<b>Operating voltage:</b>	120-277 VAC, 50/60Hz
<b>Total system power consumption:</b>	See table
<b>Operating temperature:</b>	-40°C to +65°C
<b>Harmonics:</b>	IEC 61000-3-2 Class C
<b>Surge protection:</b>	Tested to IEC 61000-4-5 6kV/3kA, 1.2/50, 8/20us Combination wave Line-line and line-ground
<b>THD:</b>	< 20%
<b>Power factor:</b>	> 0.9

### Photometric Information:

<b>CRI:</b>	80
<b>CCT:</b>	5000K (cool white) 4000K (neutral white) 2700K (warm white)

All values typical unless otherwise stated (tolerance +/- 10%)

**WARNING - INSTALLATION & SECONDARY RETENTION.** Use of any Dialight products without proper installation (including secondary retention / netting) and periodic inspections could cause severe injury or death. Dialight recommends that all installations should use secondary retention / netting (appropriate to the installation environment) where applicable. It is the exclusive responsibility of the contractor, installer and/or end-user to: (a) determine the suitability of the product for its intended application; and, (b) ensure that the product is safely installed (with secondary retention / netting where appropriate) and in compliance with all applicable laws and regulations. To the extent permissible under applicable laws, Dialight disclaims all liability for personal injury and/or other damage resulting from any dislodgment or other dislocation of its products.



# Vigilant® LED High Output High Bay - Low Profile

## Ordering Information & Mounting Accessories

Part Number	Fixture Lumen	Watt	lm/W	Voltage	CCT	CRI	Lens	Beam Distribution	Dimming
<b>CE Standard Models - 120-277 VAC Models</b>									
H7E-7NN2-KDHN-NGN	46,000	300	153	120-277 VAC	4000K (neutral white)	80	Glass	Narrow	0-10V
H7E-7MN2-KDHN-NGN	46,000	300	153	120-277 VAC	4000K (neutral white)	80	Glass	Medium	0-10V
<b>H7E-7NN2-NDHN-NGN</b>	61,200	418	146	120-277 VAC	4000K (neutral white)	80	Glass	Narrow	0-10V
H7E-7MN2-NDHN-NGN	61,200	418	146	120-277 VAC	4000K (neutral white)	80	Glass	Medium	0-10V
H7E-7NN2-RDHN-NGN	70,500	485	145	120-277 VAC	4000K (neutral white)	80	Glass	Narrow	0-10V
H7E-7NC2-KDHN-NGN	46,000	300	153	120-277 VAC	5000K (cool white)	80	Glass	Narrow	0-10V
H7E-7MC2-KDHN-NGN	46,000	300	153	120-277 VAC	5000K (cool white)	80	Glass	Medium	0-10V
H7E-7NC2-NDHN-NGN	61,200	418	146	120-277 VAC	5000K (cool white)	80	Glass	Narrow	0-10V
H7E-7MC2-NDHN-NGN	61,200	418	146	120-277 VAC	5000K (cool white)	80	Glass	Medium	0-10V
H7E-7NC2-RDHN-NGN	70,500	485	145	120-277 VAC	5000K (cool white)	80	Glass	Narrow	0-10V
<b>CE Standard Models - 415 VAC Models</b>									
H7E-7NNC-KDHN-NHN	46,000	308	149	415 VAC	4000K (neutral white)	80	Glass	Narrow	0-10V
H7E-7MNC-KDHN-NGN	46,000	308	149	415 VAC	4000K (neutral white)	80	Glass	Medium	0-10V
<b>H7E-7NNC-NDHN-NGN</b>	61,200	427	143	415 VAC	4000K (neutral white)	80	Glass	Narrow	0-10V
H7E-7MNC-NDHN-NGN	61,200	427	143	415 VAC	4000K (neutral white)	80	Glass	Medium	0-10V
H7E-7NNC-RDHN-NGN	70,500	494	143	415 VAC	4000K (neutral white)	80	Glass	Narrow	0-10V
H7E-7NCC-KDHN-NGN	46,000	308	149	415 VAC	5000K (cool white)	80	Glass	Narrow	0-10V
H7E-7MCC-KDHN-NGN	46,000	308	149	415 VAC	5000K (cool white)	80	Glass	Medium	0-10V
H7E-7NCC-NDHN-NGN	61,200	427	143	415 VAC	5000K (cool white)	80	Glass	Narrow	0-10V
H7E-7MCC-NDHN-NGN	61,200	427	143	415 VAC	5000K (cool white)	80	Glass	Medium	0-10V
H7E-7NCC-RDHN-NGN	70,500	494	143	415 VAC	5000K (cool white)	80	Glass	Narrow	0-10V

All values typical unless otherwise stated (tolerance +/- 10%).

Part numbers listed in **bold** are typically available in stock.

Cool white color temperature (5000K) is available for products in the above table. Replace the sixth character N with C. Ex. H7E-7MNN-RDHN-NGN becomes H7E-7MCC-RDHN-NGN.



### H6XCAB72

- 72" stainless steel safety rope
- Kit includes: (1) cable
- Two (2) cables required for each fixture

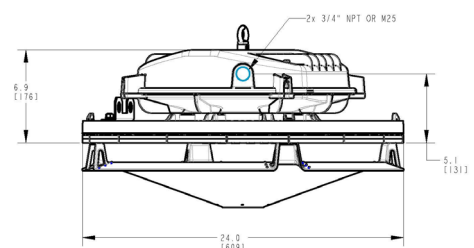
### H6XCAB60

- 60" stainless steel safety rope
- Kit includes: (1) cable
- Two (2) cables required for each fixture



### H6XDIFFUSER

- Diffuser
- Patent pending



Dimensions in inches [mm]

**DISCLAIMER.** All product information provided is, to the best of Dialight's knowledge, accurate as of the date of publication. When ordering, refer to [www.dialight.com](http://www.dialight.com) for current versions of: (a) relevant product documentation (including the relevant product data sheets); (b) Dialight terms and conditions of sale; and, (c) the relevant product warranty. To the extent that any contract is deemed formed between Dialight and the purchaser of Dialight products and/or an end-user, versions of documents available at [www.dialight.com](http://www.dialight.com) as at the date of sale shall be the versions incorporated therein. In the event of any discrepancy between this document or information provided at [www.dialight.com](http://www.dialight.com), the latter shall prevail.

# Vigilant® LED Area Light - CE

## Technical Specifications

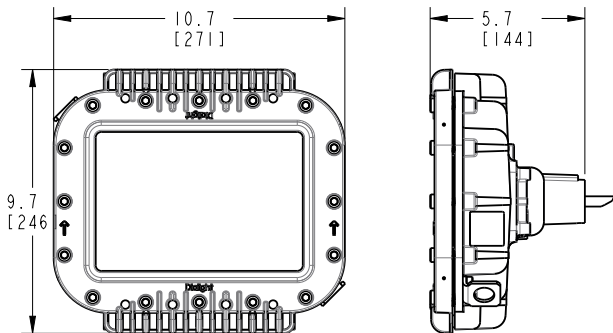


### Certifications & Ratings\*

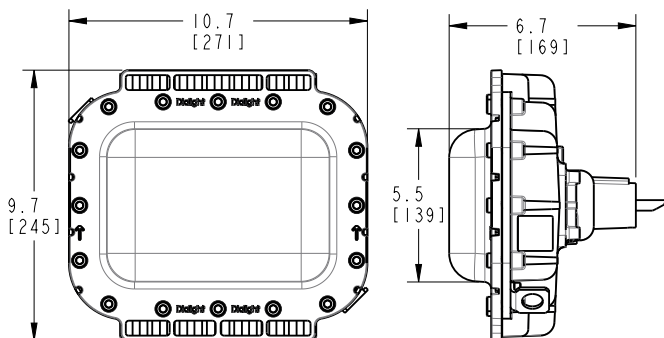
- 10 year warranty
- L70 > 300,000 hours @ 65°C
- RCM / CE / ENEC
- IP66 / 67
- IK07 (glass lens) / IK10 (polycarbonate lens)
- 0-10V dimming as standard

\*All features not available on every model. Please refer to product part number pages for model specifics.

### Tempered Glass Lens



### Polycarbonate Lens



Dimensions in inches [mm]

### Mechanical Information:

- Fixture weight:** 4.5 kg (10 lb)- Polycarbonate lens  
5.5 kg (12 lb) - Tempered glass lens
- Shipping weight:** Add 0.91 kg (2 lb) to weights above
- Impact rating:** IK10 - Polycarbonate lens  
IK07 - Tempered glass lens
- Mounting:** Stainless steel, wall and pole mounting bracket options
- Cabling:** Wall: (4) M25
- Terminals:** Stanchion, wall: 0.5-4mm<sup>2</sup> x 5

### Electrical Specifications:

- Operating voltage:** 100-277 VAC 50/60Hz, 120-250 VDC
- Operating temperature:** -40°C to +65°C (-40°F to +149°F)
- EMC:** FCC Title 47, Subpart B, Section 15, Class A device  
RF Immunity 20V/m 80MHz-1GHz.
- Transient protection:** 6kV / 3kA combination wave, as per IEEE C62.41, line-line and line-ground
- Harmonics:** IEC 61000-3-2, Class C
- THD:** < 20%
- Power factor:** > 0.9
- Construction:**
- Housing:** Copper-free aluminum
- Finish:** Superior dual coat finish  
- Sealed polyester topcoat  
- Epoxy primer
- Lens:** Hard-coated polycarbonate  
Tempered glass

### Photometric Information:

- CRI:** 80
- CCT:** 5000K (cool white)  
4000K (neutral white)  
2700K (neutral white)  
Amber
- Optics:** 360°  
180° forward throw for 45° mounting  
Wide for 0° mounting

All values typical unless otherwise stated (tolerance +/- 10%)

**WARNING - INSTALLATION & SECONDARY RETENTION.** Use of any Dialight products without proper installation (including secondary retention / netting) and periodic inspections could cause severe injury or death. Dialight recommends that all installations should use secondary retention / netting (appropriate to the installation environment) where applicable. It is the exclusive responsibility of the contractor, installer and/or end-user to: (a) determine the suitability of the product for its intended application; and, (b) ensure that the product is safely installed (with secondary retention / netting where appropriate) and in compliance with all applicable laws and regulations. To the extent permissible under applicable laws, Dialight disclaims all liability for personal injury and/or other damage resulting from any dislodgment or other dislocation of its products.

# Vigilant® LED Area Light - CE

## Australia Order Codes

Current Part Number	Historic Part Number	Fixture Lumens	Wattage	lm/W	Voltage	Colour Temperature (CCT)	Lens	Beam Distribution	Mounting Options
<b>CE - 4000K Models</b>									
ALE5BN27DBWMGN	STW9C2NEU	6,500	52	125	100-277 VAC, 120-250 VDC	4000K (neutral white)	Polycarbonate	360°	316 stainless steel adjustable bracket
ALE5BN27DWNUGN	STW9C2NW45EU	6,500	52	125	100-277 VAC, 120-250 VDC	4000K (neutral white)	Polycarbonate	360°	45° wall mount
ALE5BN27DSNUGN	STW9C2NS45EU	6,500	52	125	100-277 VAC, 120-250 VDC	4000K (neutral white)	Polycarbonate	360°	45° stanchion mount
ALE5BN29DBWMGN		8,100	66	123	100-277 VAC, 120-250 VDC	4000K (neutral white)	Polycarbonate	360°	316 stainless steel adjustable bracket
ALE7BN29DBWMGN		8,800	66	123	100-277 VAC, 120-250 VDC	4000K (neutral white)	Glass	360°	316 stainless steel adjustable bracket
<b>CE - 2700K Models</b>									
ALE5BW27DWNUGN	STW9C2NEU	6,100	52	117	100-277 VAC, 120-250 VDC	2700K (neutral white)	Polycarbonate	360°	316 stainless steel adjustable bracket
ALE5BW27DWNUGN	STW9C2NW45EU	6,100	52	117	100-277 VAC, 120-250 VDC	2700K (neutral white)	Polycarbonate	360°	45° wall mount
ALE5BW27DSNUGN	STW9C2NS45EU	6,100	52	117	100-277 VAC, 120-250 VDC	2700K (neutral white)	Polycarbonate	360°	45° stanchion mount
<b>CE - Amber Models</b>									
ALEABN29DBWMGN		4,050	66	61	100-277 VAC, 120-250 VDC	Amber	Polycarbonate	360°	316 stainless steel adjustable bracket
ALEABN27DBWMGN		3,250	52	63	100-277 VAC, 120-250 VDC	Amber	Polycarbonate	360°	316 stainless steel adjustable bracket
ALEABN27DSNUGN		3,250	52	63	100-277 VAC, 120-250 VDC	Amber	Polycarbonate	360°	45° stanchion mount
ALEABN27DWNUGN		3,250	52	63	100-277 VAC, 120-250 VDC	Amber	Polycarbonate	360°	45° wall mount
ALEABN27DWNUGN		3,250	52	63	100-277 VAC, 120-250 VDC	Amber	Polycarbonate	360°	45° wall mount

All values typical unless otherwise stated (tolerance +/- 10%).

Part numbers listed in **bold** are typically available in stock.

Historical part number provided for reference only. For performance characteristics of historical product, please contact your local representative.

# Vigilant® LED Area Light - UL

## Technical Specifications

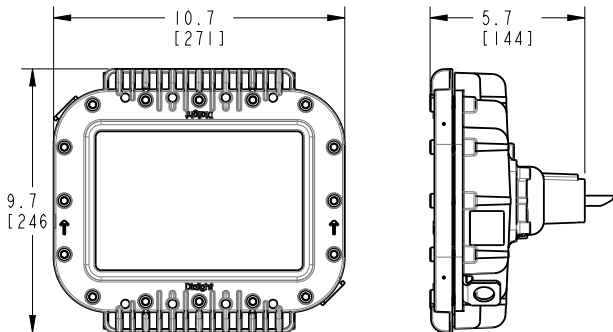


### Certifications & Ratings\*

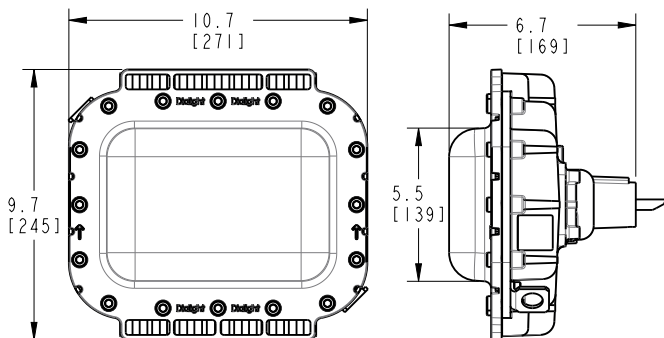
- 10 year warranty
- L70 > 150,000 hours @ 65°C
- UL 1598/A
- CSA C22.2 No. 250
- NOM
- IP66 / 67 / 69
- NEMA 4X
- Factory sealed

\*ETL listed

### Tempered Glass Lens



### Polycarbonate Lens



Dimensions in inches [mm]

### Mechanical Information:

**Fixture weight:** 10 lb (4.5 kg) - Polycarbonate lens  
 12 lb (5.5 kg) - Tempered glass lens  
**with stainless steel bracket:** 13 lb (5.9 kg) - Polycarbonate lens  
 15 lb (6.8 kg) - Tempered glass lens

**Shipping weight:** Add 2 lb (0.91 kg) to weights above

**Impact rating:** IK10 - Polycarbonate lens  
 IK07 - Tempered glass lens

**Cabling:** 10' ST00W 1.02 mm 18 AWG

### Electrical Specifications:

**Operating voltage:** 100-277 VAC 50/60Hz, 120-250 VDC  
 24-48 VDC

**Operating temperature:** -40°F to +149°F (-40°C to +65°C)

**EMC:** FCC Title 47, Subpart B, Section 15, Class A device  
 RF Immunity 20V/m 80MHz-1GHz.

**Transient protection:** 6 kV, 2 Ohm line-line and line-ground

**Harmonics:** IEC 61000-3-2, Class C

**THD:** < 20%

**Power factor:** > 0.9

### Construction:

**Housing:** Copper-free aluminum

**Finish:** Superior dual coat finish  
 - Sealed polyester topcoat  
 - Epoxy primer

**Lens:** Hard-coated polycarbonate  
 Tempered glass

### Photometric Information:

**CRI:** 80

**CCT:** 5000K (cool white)  
 4000K (neutral white)

**Optics:** 360°  
 180° forward throw for 45° mounting  
 Wide for 0° mounting

All values typical unless otherwise stated (tolerance +/- 10%)

**WARNING - INSTALLATION & SECONDARY RETENTION.** Use of any Dialight products without proper installation (including secondary retention / netting) and periodic inspections could cause severe injury or death. Dialight recommends that all installations should use secondary retention / netting (appropriate to the installation environment) where applicable. It is the exclusive responsibility of the contractor, installer and/or end-user to: (a) determine the suitability of the product for its intended application; and, (b) ensure that the product is safely installed (with secondary retention / netting where appropriate) and in compliance with all applicable laws and regulations. To the extent permissible under applicable laws, Dialight disclaims all liability for personal injury and/or other damage resulting from any dislodgment or other dislocation of its products.

# Vigilant® LED Area Light - UL

## Asia Order Codes & Beam Distribution

Current Part Number	Historic Part Number	Fixture Lumens	Wattage	lm/W	Voltage	Colour Temperature (CCT)	Lens	Beam Distribution	Mounting Options
<b>UL - 4000K Models</b>									
ALU5BN23DBWNGN	STW3C2N	2,700	24	112.5	100-277 VAC, 120-250 VDC	4000K (neutral white)	Polycarbonate	360°	Stainless steel adjustable bracket
ALU5BN27DBWNGN	STW9C2N	6,500	52	125	100-277 VAC, 120-250 VDC	4000K (neutral white)	Polycarbonate	360°	Stainless steel adjustable bracket
ALU7BN29DBWNGN	STW3C2N	8,800	66	133	100-277 VAC, 120-250 VDC	4000K (neutral white)	Glass	360°	Stainless steel adjustable bracket
ALU5AN27DVNNGN	STW4C2NW01	6,400	52	123	100-277 VAC, 120-250 VDC	4000K (neutral white)	Polycarbonate	180°	Wall mount
ALU5BN27DVNNGN	STW5C2NW01	6,500	52	125	100-277 VAC, 120-250 VDC	4000K (neutral white)	Polycarbonate	360°	Wall mount
ALU5WN27DVNNGN	STW5C2NW01	6,500	52	125	100-277 VAC, 120-250 VDC	4000K (neutral white)	Polycarbonate	Wide	Wall mount
ALU5BN27DWNUGN	STW9C2NW45	6,500	52	125	100-277 VAC, 120-250 VDC	4000K (neutral white)	Polycarbonate	360°	Wall mount 45°
ALU5BN29DWNUGN		8,100	66	123	100-277 VAC, 120-250 VDC	4000K (neutral white)	Polycarbonate	360°	Wall mount 45°
ALU5BN27DSNUGN		6,500	52	123	100-277 VAC, 120-250 VDC	4000K (neutral white)	Polycarbonate	360°	Stanchion mount 45°
<b>UL - 2700K Models</b>									
ALU5BW23DBWNGN	STW3C2N	2,500	24	104	100-277 VAC, 120-250 VDC	2700K (neutral white)	Polycarbonate	360°	Stainless steel adjustable bracket
ALU5BW27DBWNGN	STW9C2N	6,100	52	117	100-277 VAC, 120-250 VDC	2700K (neutral white)	Polycarbonate	360°	Stainless steel adjustable bracket
ALU5BW27DWNUGN	STW9C2NW45	6,100	52	117	100-277 VAC, 120-250 VDC	2700K (neutral white)	Polycarbonate	360°	Wall mount 45°
ALU5BW27DSNUGN	STW9C2NS45	6,100	52	117	100-277 VAC, 120-250 VDC	2700K (neutral white)	Polycarbonate	360°	Stanchion mount 45°
<b>24-48 VDC Models</b>									
ALU5BL62NSNNGN		2,800	27	104	24-48 VDC	4000K (neutral white)	Polycarbonate	360°	Stanchion mount 45°
ALU5BL65NBWNGN		4,700	49	96	24-48 VDC	4000K (neutral white)	Polycarbonate	360°	Stainless steel adjustable bracket
ALU5BL67NBWNGN		6,500	71	92	24-48 VDC	4000K (neutral white)	Polycarbonate	360°	Stainless steel adjustable bracket

All values typical unless otherwise stated (tolerance +/- 10%).

Part numbers listed in **bold** are typically available in stock.

5000K cool white models available, please contact your local representative.

Historical part number provided for reference only. For performance characteristics of historical product, please contact your local representative.

# Vigilant® LED Area Light - CE/UL

## Accessories



### HZXSAFECBLS

- Safety cable kit



Certified to: UL 50E • CSA C22.2 No. 94.2-07

### HZXSTAN100S

- 1.00" (1.315" Pole OD) Slip-fit stanchion mount

### HZXSTAN125S

- 1.25" (1.660" Pole OD) Slip-fit stanchion mount

### HZXSTAN150S

- 1.50" (1.900" Pole OD) Slip-fit stanchion mount

### HZXSTAN200S

- 2.00" (2.375" Pole OD) Slip-fit stanchion mount



- 1.00" (1.315" Pole OD) NPT threaded stanchion mount

### HZXSTAN125T

- 1.25" (1.660" Pole OD) NPT threaded stanchion mount

### HZXSTAN150T

- 1.50" (1.900" Pole OD) NPT threaded stanchion mount

### HZXSTAN200T

- 2.00" (2.375" Pole OD) NPT threaded stanchion mount



### HZXW3

- 316 stainless steel bracket

### HZXW7

- Aluminum bracket



### HZXW4

- 316 stainless steel bracket with pipe clamp

### HZXW8

- Aluminum bracket with pipe clamp



Certified to: UL 50E • CSA C22.2 No. 94.2-07

### HZXJB075

- 0.75" Ceiling / Wall / Pole mount junction box

### HZXJB100

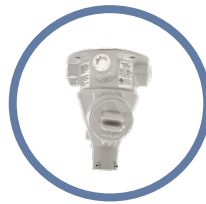
- 1.00" Ceiling / Wall / Pole mount junction box

### HZXJB125

- 1.25" Ceiling / Wall / Pole mount junction box

### HZXJB150

- 1.50" Ceiling / Wall / Pole mount junction box



Certified to: UL 50E • UL 1203

ISA 12.12.01 • CSA C22.2 No. 94.2-07

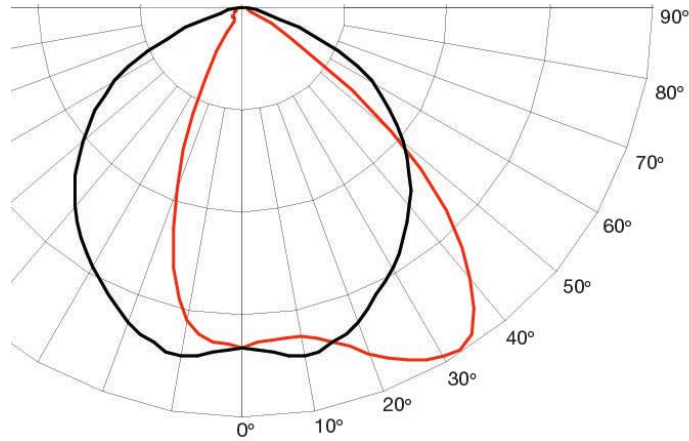
### HBXC1

- 0.75" NPT Ceiling mount

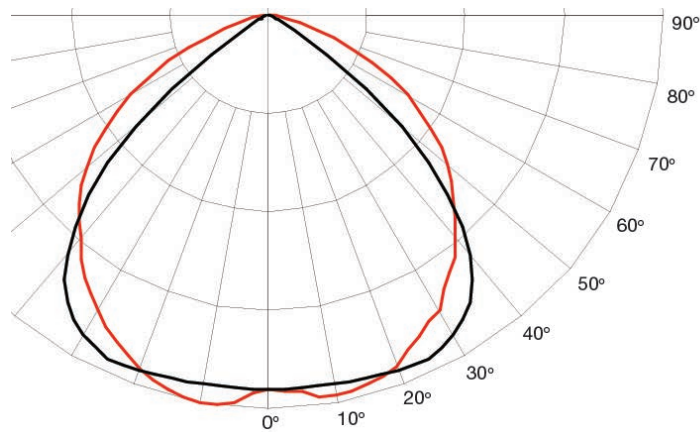
# Vigilant® LED Area Light - CE/UL

## Beam Distribution

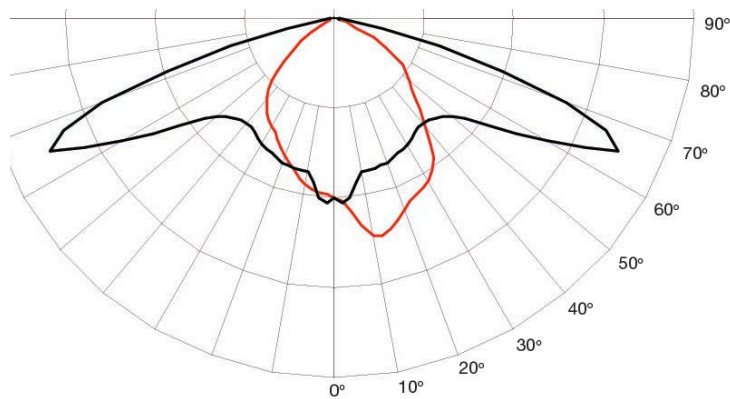
### 180° Beam Angle



### 360° Beam Angle



### Wide Beam Angle



**DISCLAIMER.** All product information provided is, to the best of Dialight's knowledge, accurate as of the date of publication. When ordering, refer to [www.dialight.com](http://www.dialight.com) for current versions of: (a) relevant product documentation (including the relevant product data sheets); (b) Dialight terms and conditions of sale; and, (c) the relevant product warranty. To the extent that any contract is deemed formed between Dialight and the purchaser of Dialight products and/or an end-user, versions of documents available at [www.dialight.com](http://www.dialight.com) as at the date of sale shall be the versions incorporated therein. In the event of any discrepancy between this document or information provided at [www.dialight.com](http://www.dialight.com), the latter shall prevail.

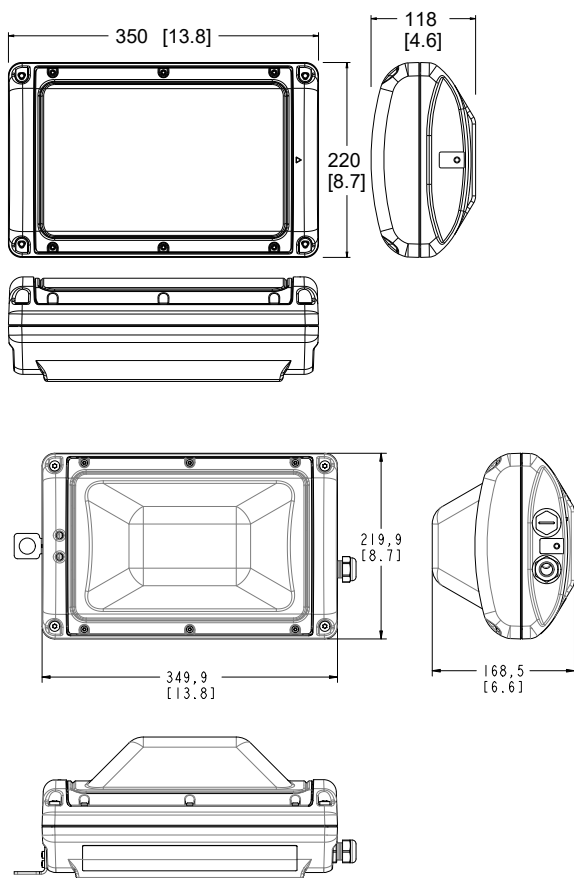
# Vigilant® LED Bulkhead

## Technical Specifications



### Certifications & Ratings

- 10 year warranty
- CE / RCM
- IP66/67
- DNV
- IK10
- L70 > 150,000 hours @ 65°C (149°F) ambient



Dimensions in mm (inches)

### Mechanical Information:

<b>Fixture weights:</b>	
Standard models:	6.8 kg (15.0 lb)
Battery backup models:	7.7 kg (17.0 lb)
<b>Shipping weights:</b>	
Standard models:	7.3 kg (16.1 lb)
Battery backup models:	8.4 kg (18.5 lb)
<b>Cable entry:</b>	(2) M20 - optional (4) M20

### Materials:

<b>Housing:</b>	A360 Die-cast aluminium
<b>Finish:</b>	Superior dual coat finish - Sealed polyester topcoat - Epoxy primer

<b>Lens:</b>	Polycarbonate clear Polycarbonate diffused (optional) Polycarbonate domed diffused
--------------	--

<b>Hardware:</b>	316 Stainless Steel
------------------	---------------------

### Electrical Specifications:

<b>Operating voltage:</b>	
Standard models:	100-277 VAC / 120-250 VDC
Battery backup models:	110/120 VAC, 230/240 VAC

<b>Operating temperature:</b>	
Standard models:	-40°C to +65°C (-40°F to +149°F)
Battery backup models:	-20°C to +55°C (-4°F to +131°F)

<b>Surge protection:</b>	6kV/3kA, 1.2/50, 8/20us Combination Wave Line-line and line-ground
--------------------------	--

<b>THD:</b>	< 18%
-------------	-------

<b>Power factor:</b>	> 0.9
----------------------	-------

<b>Dimming:</b>	DALI 1.0 and 2.0 0-10 VDC continuous dimming to <10%
-----------------	---

### Battery Backup Models: (integral battery)

#### Battery duration\* (circular optic, clear lens):

6.5k lumen outputs:	180 mins ~ 900 lm 90 mins ~ 1100 lm 60 mins ~ 1140 lm
3k lumen outputs:	180 mins ~ 800 lm 90 mins ~ 1100 lm 60 mins ~ 1140 lm

<b>Expected battery life:</b>	4 years
-------------------------------	---------

### Photometric Information:

<b>Lumen output*:</b>	3,000 & 6,500 lm (white light)
-----------------------	--------------------------------

<b>CRI:</b>	> 80 (white light)
-------------	--------------------

<b>CCT:</b>	5000K (cool white) 4000K (neutral white) 2700K (warm white) Amber Green
-------------	---

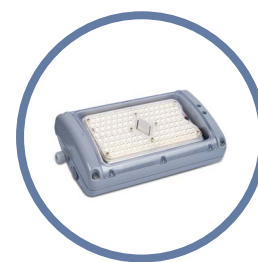
All values typical unless otherwise stated (tolerance +/- 10%)  
\* @ 25°C ambient

**WARNING - INSTALLATION & SECONDARY RETENTION.** Use of any Dialight products without proper installation (including secondary retention / netting) and periodic inspections could cause severe injury or death. Dialight recommends that all installations should use secondary retention / netting (appropriate to the installation environment) where applicable. It is the exclusive responsibility of the contractor, installer and/or end-user to: (a) determine the suitability of the product for its intended application; and, (b) ensure that the product is safely installed (with secondary retention / netting where appropriate) and in compliance with all applicable laws and regulations. To the extent permissible under applicable laws, Dialight disclaims all liability for personal injury and/or other damage resulting from any dislodgment or other dislocation of its products.



# Ordering Information

## Vigilant® LED Bulkhead



Part Number	Fixture Lumens	Wattage	lm/W	Voltage	CCT	Lens	Beam Distribution
<b>Standard Models with Flush Bracket</b>							
<b>BHE-4BN2-3NFN-VGN</b>	3,200	22	149	100-277VAC / 120-250VDC	4000K (neutral white)	Clear Polycarbonate	Circular
<b>BHE-4BN2-6NFN-VGN</b>	6,700	45	149	100-277VAC / 120-250VDC	4000K (neutral white)	Clear Polycarbonate	Circular
<b>BHE-4UN2-3NFN-VGN</b>	3,100	22	144	100-277VAC / 120-250VDC	4000K (neutral white)	Clear Polycarbonate	Ultra-Wide (Type 1)
<b>BHE-4UN2-6NFN-VGN</b>	6,400	45	142	100-277VAC / 120-250VDC	4000K (neutral white)	Clear Polycarbonate	Ultra-Wide (Type 1)
BHE-4BC2-3NFN-VGN	3,200	22	149	100-277VAC / 120-250VDC	5000K (cool white)	Clear Polycarbonate	Circular
BHE-4BC2-6NFN-VGN	6,700	45	149	100-277VAC / 120-250VDC	5000K (cool white)	Clear Polycarbonate	Circular
BHE-4UC2-3NFN-VGN	3,100	22	144	100-277VAC / 120-250VDC	5000K (cool white)	Clear Polycarbonate	Ultra-Wide (Type 1)
BHE-4UC2-6NFN-VGN	6,400	45	142	100-277VAC / 120-250VDC	5000K (cool white)	Clear Polycarbonate	Ultra-Wide (Type 1)
<b>BHE-4UW2-6NFN-VGN</b>	5,800	45	129	100-277VAC / 120-250VDC	2700K (warm white)	Clear Polycarbonate	Ultra-Wide (Type 1)
BHE-4BA2-3NFN-VGN	2,300	24	96	100-277VAC / 120-250VDC	Amber	Clear Polycarbonate	Circular
<b>BHE-4BA2-5NFN-VGN</b>	4,200	46	91	100-277VAC / 120-250VDC	Amber	Clear Polycarbonate	Circular
<b>Battery Backup Models with Flush Bracket</b>							
<b>BHE-4BNG-3NFN-VGF</b>	3,200	25	128	230-240VAC	4000K (neutral white)	Clear Polycarbonate	Circular
<b>BHE-4BNG-6NFN-VGF</b>	6,700	48	140	230-240VAC	4000K (neutral white)	Clear Polycarbonate	Circular
<b>BHE-4UNG-3NFN-VGF</b>	3,100	25	124	230-240VAC	4000K (neutral white)	Clear Polycarbonate	Ultra-Wide (Type 1)
<b>BHE-4UNG-6NFN-VGF</b>	6,400	48	133	230-240VAC	4000K (neutral white)	Clear Polycarbonate	Ultra-Wide (Type 1)
BHE-4BCG-3NFN-VGF	3,200	25	128	230-240VAC	5000K (cool white)	Clear Polycarbonate	Circular
BHE-4BCG-6NFN-VGF	6,700	48	140	230-240VAC	5000K (cool white)	Clear Polycarbonate	Circular
BHE-4UCG-3NFN-VGF	3,100	25	124	230-240VAC	5000K (cool white)	Clear Polycarbonate	Ultra-Wide (Type 1)
BHE-4UCG-6NFN-VGF	6,400	48	133	230-240VAC	5000K (cool white)	Clear Polycarbonate	Ultra-Wide (Type 1)
BHE-4BAG-3NFN-VGF	2,300	27	85	230-240VAC	Amber	Clear Polycarbonate	Circular
<b>BHE-4BAG-5NFN-VGF</b>	4,200	49	86	230-240VAC	Amber	Clear Polycarbonate	Circular
<b>BHE-6BGG-3NFN-VGG</b>	2,600	33	79	230-240VAC	Green	Domed Diffused	Circular

All values typical unless otherwise stated (tolerance +/- 10%).

Part numbers listed in **bold** are typically available in stock.

For 2700k (warm white) CCT, please contact your local representative for more information.

**DISCLAIMER.** All product information provided is, to the best of Dialight's knowledge, accurate as of the date of publication. When ordering, refer to [www.dialight.com](http://www.dialight.com) for current versions of: (a) relevant product documentation (including the relevant product data sheets); (b) Dialight terms and conditions of sale; and, (c) the relevant product warranty. To the extent that any contract is deemed formed between Dialight and the purchaser of Dialight products and/or an end-user, versions of documents available at [www.dialight.com](http://www.dialight.com) as at the date of sale shall be the versions incorporated therein. In the event of any discrepancy between this document or information provided at [www.dialight.com](http://www.dialight.com), the latter shall prevail.

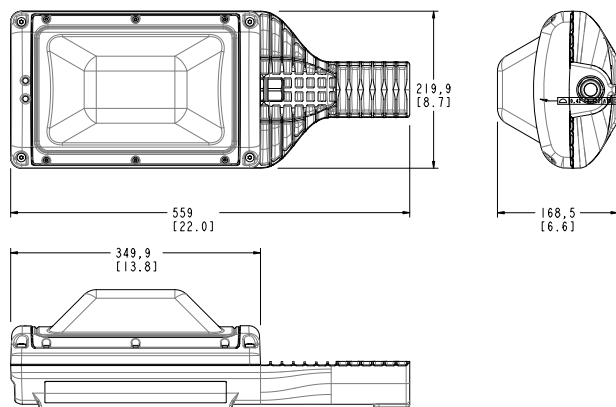
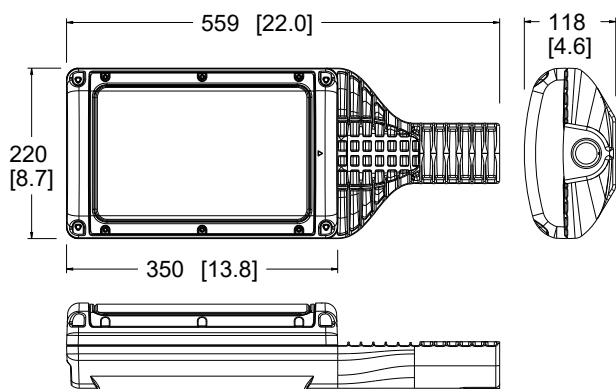
# Vigilant® LED Bulkhead / Conveyor Light

## Pole Mount Model



### Certifications & Ratings

- 10 year warranty
- CE / RCM
- IP66/67
- DNV
- IK10
- L70 > 150,000 hours @ 65°C (149°F) ambient



Dimensions in mm (inches)

### Mechanical Information:

<b>Fixture weights:</b>	
Standard models:	7.9 kg (17.4 lb)
Battery backup models:	8.8 kg (19.4 lb)
<b>Shipping weights:</b>	
Standard models:	8.4 kg (18.5 lb)
Battery backup models:	9.3 kg (20.5 lb)
<b>Cable entry:</b>	
	(1) M25
<b>Spigot entry size:</b>	
	35mm ID optional 44mm ID

### Materials:

<b>Housing:</b>	A360 Die-cast aluminium
<b>Finish:</b>	Superior dual coat finish - Sealed polyester topcoat - Epoxy primer
<b>Lens:</b>	Polycarbonate clear Polycarbonate diffused (optional) Polycarbonate domed diffused

**Hardware:** 316 Stainless Steel

### Electrical Specifications:

<b>Operating voltage:</b>	
Standard models:	100-277 VAC / 120-250 VDC
Battery backup models:	110/120 VAC, 230/240 VAC
<b>Operating temperature:</b>	
Standard models:	-40°C to +65°C (-40°F to +149°F)
Battery backup models:	-20°C to +55°C (-4°F to +131°F)
<b>Surge protection:</b>	
	6kV/3kA, 1.2/50, 8/20us Combination Wave Line-line and line-ground
<b>THD:</b>	< 18%
<b>Power factor:</b>	> 0.9
<b>Dimming:</b>	DALI 1.0 and 2.0 0-10 VDC continuous dimming to <10%

### Battery Backup Models: (integral battery)

<b>Battery duration* (circular optic, clear lens):</b>	
6.5k lumen outputs:	180 mins ~ 900 lm 90 mins ~ 1100 lm 60 mins ~ 1140 lm
3k lumen outputs:	180 mins ~ 800 lm 90 mins ~ 1100 lm 60 mins ~ 1140 lm

**Expected battery life:** 4 years

### Photometric Information:

<b>Lumen output*:</b>	3,000 & 6,500 lm (white light)
<b>CRI:</b>	> 80 (white light)
<b>CCT:</b>	5000K (cool white) 4000K (neutral white) 2700K (warm white) Amber Green

All values typical unless otherwise stated (tolerance +/- 10%)  
\* @ 25°C ambient

**WARNING - INSTALLATION & SECONDARY RETENTION.** Use of any Dialight products without proper installation (including secondary retention / netting) and periodic inspections could cause severe injury or death. Dialight recommends that all installations should use secondary retention / netting (appropriate to the installation environment) where applicable. It is the exclusive responsibility of the contractor, installer and/or end-user to: (a) determine the suitability of the product for its intended application; and, (b) ensure that the product is safely installed (with secondary retention / netting where appropriate) and in compliance with all applicable laws and regulations. To the extent permissible under applicable laws, Dialight disclaims all liability for personal injury and/or other damage resulting from any dislodgment or other dislocation of its products.

# Ordering Information

## Vigilant® LED Bulkhead / Conveyor Light - Pole Mount Model



Part Number	Fixture Lumens	Wattage	lm/W	Voltage	CCT	Lens	Beam Distribution
<b>Pole Mount Models</b>							
BPE-4BN2-3NNN-VGN	3,200	22	149	100-277VAC / 120-250VDC	4000K	Clear Polycarbonate	Circular
<b>BPE-4BN2-6NNN-VGN</b>	6,700	45	149	100-277VAC / 120-250VDC	4000K	Clear Polycarbonate	Circular
<b>BPE-4UN2-3NNN-VGN</b>	3,100	22	144	100-277VAC / 120-250VDC	4000K	Clear Polycarbonate	Ultra-Wide (Type 1)
<b>BPE-4UN2-6NNN-VGN</b>	6,400	45	142	100-277VAC / 120-250VDC	4000K	Clear Polycarbonate	Ultra-Wide (Type 1)
BPE-4BC2-3NNN-VGN	3,200	22	149	100-277VAC / 120-250VDC	5000K	Clear Polycarbonate	Circular
BPE-4BC2-6NNN-VGN	6,700	45	149	100-277VAC / 120-250VDC	5000K	Clear Polycarbonate	Circular
BPE-4UC2-3NNN-VGN	3,100	22	144	100-277VAC / 120-250VDC	5000K	Clear Polycarbonate	Ultra-Wide (Type 1)
<b>BPE-4UC2-6NNN-VGN</b>	6,400	45	142	100-277VAC / 120-250VDC	5000K	Clear Polycarbonate	Ultra-Wide (Type 1)
<b>BPE-4UW2-6NNN-VGN</b>	5,800	45	129	100-277VAC / 120-250VDC	2700K	Clear Polycarbonate	Ultra-Wide (Type 1)
BPE-4BA2-3NNN-VGN	2,300	24	96	100-277VAC / 120-250VDC	Amber	Clear Polycarbonate	Circular
BPE-4BA2-5NNN-VGN	4,200	46	91	100-277VAC / 120-250VDC	Amber	Clear Polycarbonate	Circular
BPE-4UA2-3NNN-VGN	2,100	24	88	100-277VAC / 120-250VDC	Amber	Clear Polycarbonate	Ultra-Wide (Type 1)
<b>BPE-4UA2-5NNN-VGN</b>	3,900	46	85	100-277VAC / 120-250VDC	Amber	Clear Polycarbonate	Ultra-Wide (Type 1)
<b>Pole Mount Models - 44mm Spigot Entry</b>							
<b>BZE-4UN2-6NNN-VGN</b>	6,400	45	142	100-277VAC / 120-250VDC	4000K	Clear Polycarbonate	Ultra-Wide (Type 1)
<b>Pole Mount Battery Backup Models</b>							
<b>BPE-4BNG-3NNN-VGF</b>	3,200	25	128	230-240VAC	4000K	Clear Polycarbonate	Circular
<b>BPE-4BNG-6NNN-VGF</b>	6,700	48	140	230-240VAC	4000K	Clear Polycarbonate	Circular
BPE-4UNG-3NNN-VGF	3,100	25	124	230-240VAC	4000K	Clear Polycarbonate	Ultra-Wide (Type 1)
<b>BPE-4UNG-6NNN-VGF</b>	6,400	48	133	230-240VAC	4000K	Clear Polycarbonate	Ultra-Wide (Type 1)
BPE-4BCG-3NNN-VGF	3,200	25	128	230-240VAC	5000K	Clear Polycarbonate	Circular
BPE-4BCG-6NNN-VGF	6,700	48	140	230-240VAC	5000K	Clear Polycarbonate	Circular
BPE-4UCG-3NNN-VGF	3,100	25	124	230-240VAC	5000K	Clear Polycarbonate	Ultra-Wide (Type 1)
BPE-4UCG-6NNN-VGF	6,400	48	133	230-240VAC	5000K	Clear Polycarbonate	Ultra-Wide (Type 1)
<b>BPE-4UWG-6NNN-VGF</b>	5,800	48	121	230-240VAC	2700K	Clear Polycarbonate	Ultra-Wide (Type 1)
BPE-4BAG-3NNN-VGF	2,300	27	85	230-240VAC	Amber	Clear Polycarbonate	Circular
BPE-4BAG-5NNN-VGF	4,200	49	86	230-240VAC	Amber	Clear Polycarbonate	Circular
BPE-4UAG-3NNN-VGF	2,100	27	78	230-240VAC	Amber	Clear Polycarbonate	Ultra-Wide (Type 1)
<b>BPE-4UAG-5NNN-VGF</b>	3,900	49	80	230-240VAC	Amber	Clear Polycarbonate	Ultra-Wide (Type 1)
<b>BPE-6BGG-3NNN-VGG</b>	2,600	33	79	230-240VAC	Green	Domed Diffused	Circular
<b>Pole Mount Battery Backup Models - 44mm Spigot Entry</b>							
<b>BZE-4UNG-6NNN-VGF</b>	6,400	48	133	230-240VAC	4000K	Clear Polycarbonate	Ultra-Wide (Type 1)

All values typical unless otherwise stated (tolerance +/- 10%).

Part numbers listed in **bold** are typically available in stock.

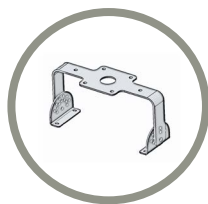
For 2700k (warm white) CCT, please contact your local representative for more information.

44mm spigot entry models available.

**DISCLAIMER.** All product information provided is, to the best of Dialight's knowledge, accurate as of the date of publication. When ordering, refer to [www.dialight.com](http://www.dialight.com) for current versions of: (a) relevant product documentation (including the relevant product data sheets); (b) Dialight terms and conditions of sale; and, (c) the relevant product warranty. To the extent that any contract is deemed formed between Dialight and the purchaser of Dialight products and/or an end-user, versions of documents available at [www.dialight.com](http://www.dialight.com) as at the date of sale shall be the versions incorporated therein. In the event of any discrepancy between this document or information provided at [www.dialight.com](http://www.dialight.com), the latter shall prevail.

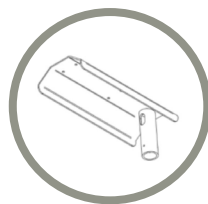
# Vigilant® LED Bulkhead

## Accessories



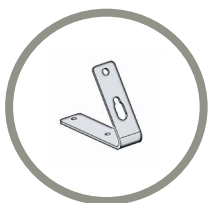
### BH-BRKT-SS-ADJ

- 316 stainless steel adjustable bracket kit



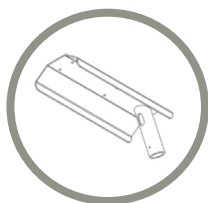
### BH-STMB-05-10-HD

- Aluminium stanchion mount, 5° up-tilt - 50mm pole



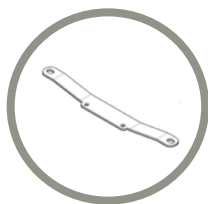
### BH-BRKT-A-KIT

- 316 stainless steel wall/ceiling flush mount bracket kit



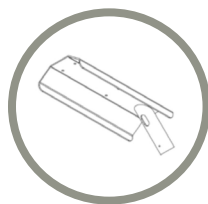
### BH-STMB-25-10-HD

- Aluminium stanchion mount, 25° up-tilt - 50mm pole



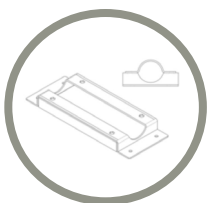
### BH-BRKT-F-KIT

- 316 stainless steel wall/ceiling flush mount bracket kit



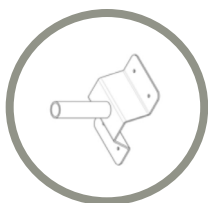
### BH-STMB-45-10-HD

- Aluminium stanchion mount, 45° up-tilt - 50mm pole



### BH-BRKT-LG-PF

- Aluminium pipe mount bracket kit - 50mm



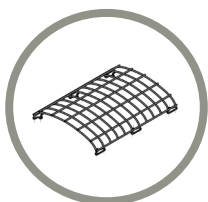
### HZX-SPIGOT-34

- Aluminium wall mount spigot plate - 34mm



### H6XCAB72

- 72" stainless steel safety rope
- Kit includes: (1) cable



### BH-WG-KIT

- Stainless steel wire guard kit

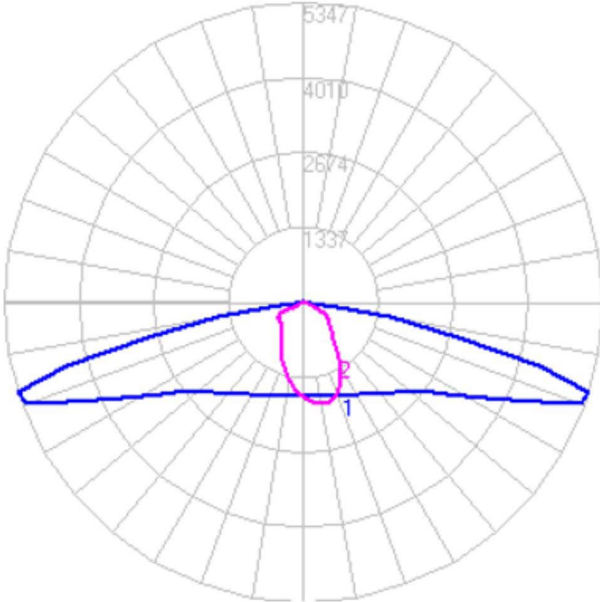
Replacement parts available. Please contact a Dialight sales representative or see spec sheet.

**DISCLAIMER.** All product information provided is, to the best of Dialight's knowledge, accurate as of the date of publication. When ordering, refer to [www.dialight.com](http://www.dialight.com) for current versions of: (a) relevant product documentation (including the relevant product data sheets); (b) Dialight terms and conditions of sale; and, (c) the relevant product warranty. To the extent that any contract is deemed formed between Dialight and the purchaser of Dialight products and/or an end-user, versions of documents available at [www.dialight.com](http://www.dialight.com) as at the date of sale shall be the versions incorporated therein. In the event of any discrepancy between this document or information provided at [www.dialight.com](http://www.dialight.com), the latter shall prevail.

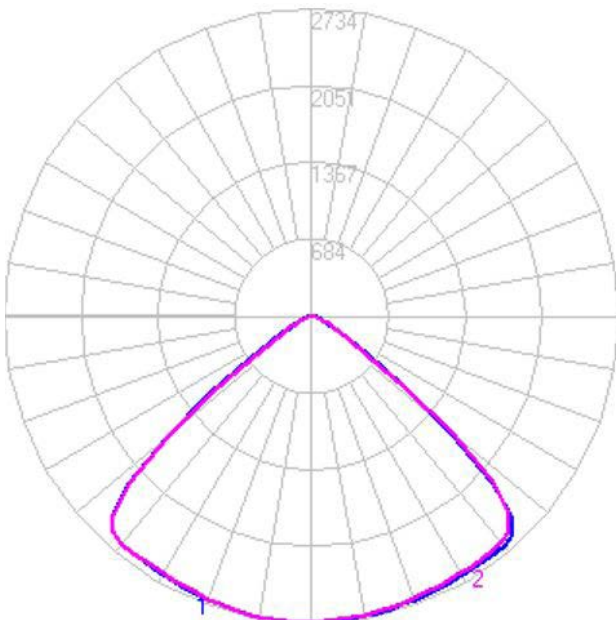
# Vigilant® LED Bulkhead

## Beam Distribution

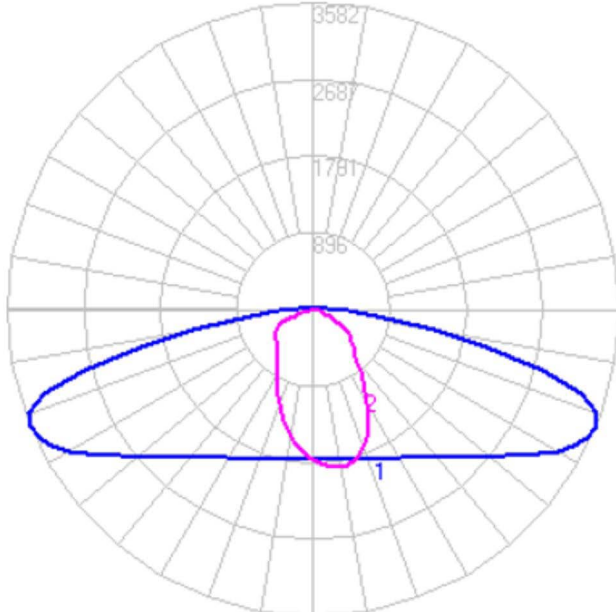
Ultra-Wide Walkway (Type 1) - Clear



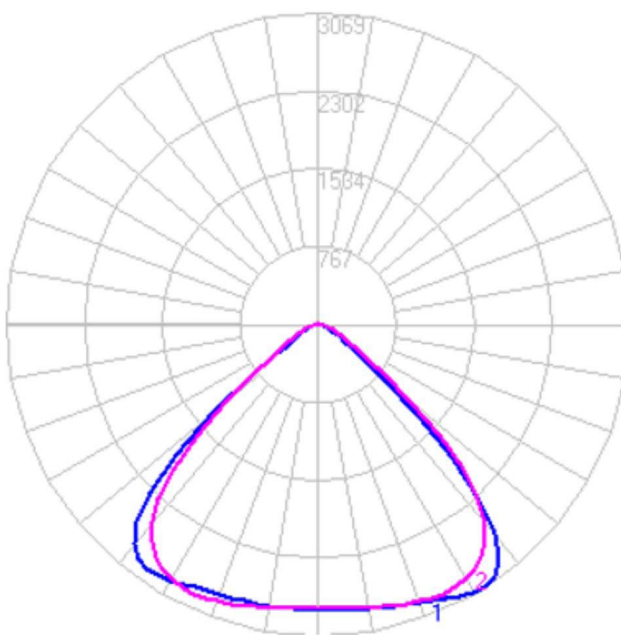
Circular - Clear



Ultra-Wide Walkway (Type 1) - Diffused



Circular - Diffused



DISCLAIMER. All product information provided is, to the best of Dialight's knowledge, accurate as of the date of publication. When ordering, refer to [www.dialight.com](http://www.dialight.com) for current versions of: (a) relevant product documentation (including the relevant product data sheets); (b) Dialight terms and conditions of sale; and, (c) the relevant product warranty. To the extent that any contract is deemed formed between Dialight and the purchaser of Dialight products and/or an end-user, versions of documents available at [www.dialight.com](http://www.dialight.com) as at the date of sale shall be the versions incorporated therein. In the event of any discrepancy between this document or information provided at [www.dialight.com](http://www.dialight.com), the latter shall prevail.

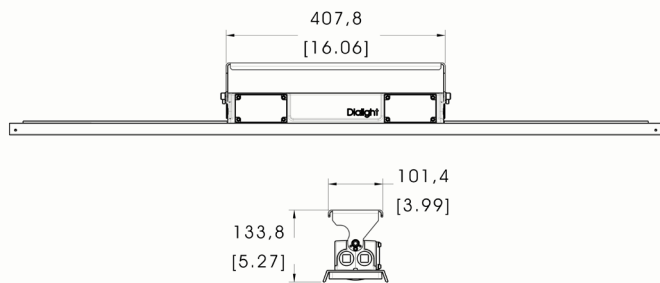
# DuroSite® LED Linear

## Technical Specifications



### Certifications & Ratings

- CE
- EN 55015
- EN 61547
- EN 60598-1
- EN 61000-3-2
- EN 62031
- EN 62471
- IP66/67
- IK09 to IEC 62262



Dimensions in mm [inches]

### Mechanical Information:

<b>Fixture weight:</b>	5.9 kg (13 lb) - 1.2m (4')
	4.5 kg (10 lb) - 0.6m (2')
<b>Shipping weight:</b>	8.2 kg (18 lbs) - 1.2m (4')
	6.8 kg (15 lb) - 0.6m (2')
<b>Mounting:</b>	(4) M25 openings Factory-installed 316 stainless steel swivel bracket - LPXW4

### Electrical Specifications:

<b>Operating voltage:</b>	100-277 VAC, 50/60Hz
<b>Total system power consumption:</b>	See table
<b>Operating temperature:</b>	-40°C to +65°C
<b>Noise requirements/ EMC:</b>	EN 55015 - conducted and radiated EN 61000-3-2, EN 61000-4-2, EN 61000-4-3, EN 61000-4-4 EN 61000-4-6, EN 61000-4-11
<b>Transient protection:</b>	EN61000-4-5 4 kV line-to-line 4 kV line-to-ground
<b>THD:</b>	< 20%
<b>Power factor:</b>	> 0.9
<b>Construction:</b>	
<b>Housing:</b>	Copper-free aluminium
<b>Finish:</b>	Superior dual coat finish - Sealed polyester topcoat - Chemical resistant epoxy primer
<b>Lens:</b>	Polycarbonate

### Photometric Information:

<b>CRI:</b>	80
<b>CCT:</b>	5000K (cool white)

All values typical unless otherwise stated (tolerance +/- 10%)

**WARNING - INSTALLATION & SECONDARY RETENTION.** Use of any Dialight products without proper installation (including secondary retention / netting) and periodic inspections could cause severe injury or death. Dialight recommends that all installations should use secondary retention / netting (appropriate to the installation environment) where applicable. It is the exclusive responsibility of the contractor, installer and/or end-user to: (a) determine the suitability of the product for its intended application; and, (b) ensure that the product is safely installed (with secondary retention / netting where appropriate) and in compliance with all applicable laws and regulations. To the extent permissible under applicable laws, Dialight disclaims all liability for personal injury and/or other damage resulting from any dislodgment or other dislocation of its products.

# DuroSite® LED Linear

## Australia & Asia Order Codes

Current Part Number	Historic Part Number	Fixture Lumens	Wattage	lm/W	Voltage	Colour Temperature (CCT)	Lens	Beam Distribution
LPE3N4B2W	LPE3C4D2P	3,300	33	100	100-277 VAC	4000K (neutral white)	Diffused polycarbonate	Medium
LPE3N4H2W	LPE3C4M2P	6,700	66	102	100-277 VAC	4000K (neutral white)	Diffused polycarbonate	Medium

All values typical unless otherwise stated (tolerance +/- 10%).

Part numbers listed in **bold** are typically available in stock.

Part numbers listed in the table above are neutral white. For cool white models, replace the 5th character with a **C**.

Historical part number provided for reference only. For performance characteristics of historical product, please contact your local representative.



### LPXW4LP

- 316 stainless steel low profile mounting bracket, can be angled at 0° and 15°



### LPXW4 (included)

- 316 stainless steel mounting bracket, can be angled at 0°, 30°, 45°, 60°, & 90°



### LTXENDCAPKIT

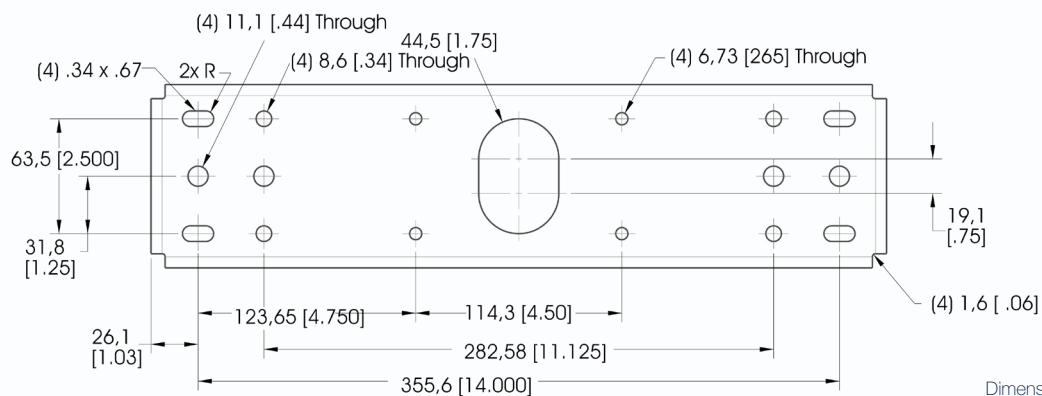
- 304 stainless steel chain mount and secondary retention bracket



### LTXSAFEKIT

- 304 stainless steel safety cable kit for secondary retention

LPXW4 Mounting Bracket Dimensions



Dimension are in mm [inches]

**DISCLAIMER.** All product information provided is, to the best of Dialight's knowledge, accurate as of the date of publication. When ordering, refer to [www.dialight.com](http://www.dialight.com) for current versions of: (a) relevant product documentation (including the relevant product data sheets); (b) Dialight terms and conditions of sale; and, (c) the relevant product warranty. To the extent that any contract is deemed formed between Dialight and the purchaser of Dialight products and/or an end-user, versions of documents available at [www.dialight.com](http://www.dialight.com) as at the date of sale shall be the versions incorporated therein. In the event of any discrepancy between this document or information provided at [www.dialight.com](http://www.dialight.com), the latter shall prevail.

# SafeSite® LED High Bay - ATEX / IECEx

## Standard Models



Patent pending

### Certifications & Ratings (All Models)

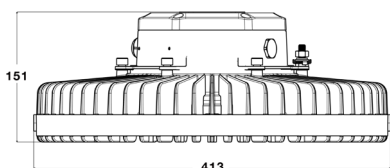
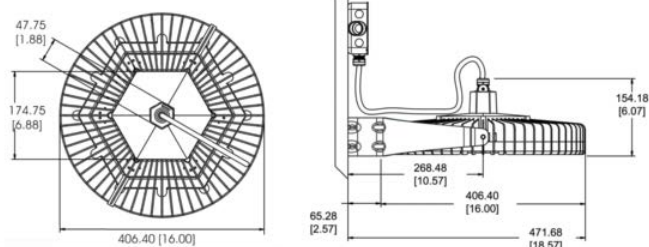
- ATEX / IECEx Zones 1, 21
- ATEX / IECEx Zones 2, 22
- CE
- IP66
- RoHS compliant

### Certifications & Ratings (IIB Models)

- Ex II 2 GB
- Ex db eb op is IIB T5 Gb
- Ex tb op is IIC T100°C Db
- Certificate numbers: Sira 18ATEX1001X IECEx SIR 18.0001X

### Certifications & Ratings (IIB + H2 Models)

- Ex II 2 GD
- Ex d e IIB+H2 T4 Gb
- Ex tb IIC 135°C
- Certificate numbers: Baseefa 12ATEX0070X IECEx BAS 12.0044X



Dimensions in mm (inches)

### Mechanical Information:

#### Fixture weight:

Standard Models: 14.1 kg (31 lb)  
 Junction Box Models: 15.5 kg (34 lb)

#### Mounting:

Aluminum mounting bracket (included)

#### Wiring options for

Junction Box models: 2 off M25 x 1.5mm cable entries

### Electrical Specifications:

#### Operating voltage:

Standard Models: 100-277 VAC, 120-250 VDC  
 Hydrogen Models: 100-277 VAC

#### Total system power

consumption: See table

#### Operating temperature:

-40°C to +60°C

#### Harmonics:

IEC 61000-3-2

#### Surge protection:

Protection devices capable of handling up to 6kV. Tested for 6kV/2 ohm combination wave, as per IEEE C62.41, line-line and line-ground

#### THD:

<20%

#### Power factor:

> 0.9

### Construction:

#### Housing:

Copper-free aluminum

#### Finish:

Superior dual coat finish  
 - Sealed polyester topcoat  
 - Chemical resistant epoxy primer

#### Lens:

Tempered glass  
 (optional fragment retention film available)

### Photometric Information:

#### CRI:

80 typical

#### CCT:

5000K (cool white)  
 4000K (neutral white)

All values typical unless otherwise stated (tolerance +/- 10%)

**WARNING - INSTALLATION & SECONDARY RETENTION.** Use of any Dialight products without proper installation (including secondary retention / netting) and periodic inspections could cause severe injury or death. Dialight recommends that all installations should use secondary retention / netting (appropriate to the installation environment) where applicable. It is the exclusive responsibility of the contractor, installer and/or end-user to: (a) determine the suitability of the product for its intended application; and, (b) ensure that the product is safely installed (with secondary retention / netting where appropriate) and in compliance with all applicable laws and regulations. To the extent permissible under applicable laws, Dialight disclaims all liability for personal injury and/or other damage resulting from any dislodgment or other dislocation of its products.



# SafeSite® LED High Bay - IECEx/ATEX

## Australia & Asia Order Codes

Current Part Number	Historic Part Number	Fixture Lumens	Wattage @ 240VAC	lm/W	Voltage	Colour Temperature (CCT)	Lens	Beam Distribution
<b>IECEx Standard Cabled Models</b>								
HEA7MN2ANA-WNGN	HEA9MN4DN-BCG	7,870	58	136	100-277 VAC, 120-250 VDC	Neutral White 4000K	Clear Tempered Glass	Medium
HEA7MN2BNA-WNGN	HEA9MN4GN-BCG	10,570	77	137	100-277 VAC, 120-250 VDC	Neutral White 4000K	Clear Tempered Glass	Medium
<b>HEA7MN2ENA-WNGN</b>	HEA9MN4PN-BCG	20,810	148	141	100-277 VAC, 120-250 VDC	Neutral White 4000K	Clear Tempered Glass	Medium
<b>IECEx Standard Junction Box Models</b>								
<b>HWA7MN2ADA-NNGN</b>	HEA9MN4DN-KCG	7,870	58	136	100-277 VAC, 120-250 VDC	Neutral White 4000K	Clear Tempered Glass	Medium
HWA7MN2BDA-NNGN	HEA9MN4GN-KCG	10,570	77	137	100-277 VAC, 120-250 VDC	Neutral White 4000K	Clear Tempered Glass	Medium
<b>HWA7MN2CDA-NNGN</b>	HEA9MN4KN-KCG	15,890	113	141	100-277 VAC, 120-250 VDC	Neutral White 4000K	Clear Tempered Glass	Medium
<b>HWA7MN2EDA-NNGN</b>	HEA9MN4PN-KCG	20,810	148	141	100-277 VAC, 120-250 VDC	Neutral White 4000K	Clear Tempered Glass	Medium
<b>IECEx Hydrogen Area Junction Box Models</b>								
HEH9MN4KN-KCG	HEH9MC4PN-JNG	16,000	144	111	100-277 VAC, 120-250 VDC	Neutral White 4000K	Clear Tempered Glass	Medium
<b>HEH9MN4PN-KCG</b>	HEH9MC4PN-JNG	23,500	212	111	100-277 VAC, 120-250 VDC	Neutral White 4000K	Clear Tempered Glass	Medium
<b>CID2 Standard Cabled Models</b>								
<b>HED7MN2ANN-WNGN</b>	HEDGMC4DN-SNG	11,000	80	138	100-277 VAC, 120-250 VDC	Neutral White 4000K	Clear Tempered Glass	Medium
HED7MN2BNN-WNGN	HEDGMC4GN-SNG	13,750	102	135	100-277 VAC, 120-250 VDC	Neutral White 4000K	Clear Tempered Glass	Medium
HED7MN2CNN-WNGN	HEDGMC4KN-SNG	18,750	129	145	100-277 VAC, 120-250 VDC	Neutral White 4000K	Clear Tempered Glass	Medium
HED7MN2ENN-WNGN	HEDGMC4PN-SNG	26,000	186	140	100-277 VAC, 120-250 VDC	Neutral White 4000K	Clear Tempered Glass	Medium

All values typical unless otherwise stated (tolerance +/- 10%).

Part numbers listed in **bold** are typically available in stock.

Part numbers listed in the table above are neutral white. For cool white models, replace the 6th character with a **C**.

Part numbers listed in the table above are neutral white. For warm white models, replace the 6th character with a **W**.

Historical part number provided for reference only. For performance characteristics of historical product, please contact your local representative.



### HBXW3-SSL-316M

- 316 stainless steel bracket



### HBXW3

- Aluminium swivel bracket (included with fixture)

### HBXW3-SS

- 316 stainless steel swivel bracket



### HBXSBDK

- Sand blast kit (dome lens)

### HBXSBDL

- Sacrificial dome lens



### HBXSBL

- Sand blast kit (flat lens)

### HBXSBL

- Sacrificial flat lens

**DISCLAIMER.** All product information provided is, to the best of Dialight's knowledge, accurate as of the date of publication. When ordering, refer to [www.dialight.com](http://www.dialight.com) for current versions of: (a) relevant product documentation (including the relevant product data sheets); (b) Dialight terms and conditions of sale; and, (c) the relevant product warranty. To the extent that any contract is deemed formed between Dialight and the purchaser of Dialight products and/or an end-user, versions of documents available at [www.dialight.com](http://www.dialight.com) as at the date of sale shall be the versions incorporated therein. In the event of any discrepancy between this document or information provided at [www.dialight.com](http://www.dialight.com), the latter shall prevail.

# SafeSite® LED Floodlight - Zone 1

## Technical Specifications



Patent pending

### Certifications & Ratings (All Models)

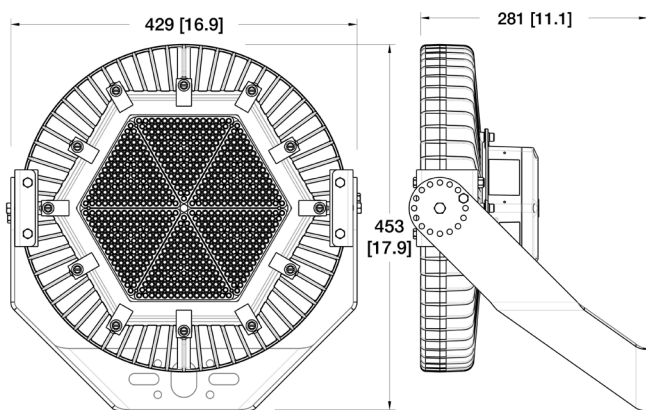
- ATEX / IECEx Zones 1, 21
- ATEX / IECEx Zones 2, 22
- CE
- IP66
- RoHS compliant

### Certifications & Ratings (IIB Models)

- Ex II 2 GB
- Ex db eb op is IIB T5 Gb
- Ex tb op is IIIC T100°C Db
- Certificate numbers: Sira 18ATEX1001X
- IECEx SIR 18.0001X

### Certifications & Ratings (IIB + H2 Models)

- Ex II 2 GD
- Ex d e IIB+H2 T4 Gb
- Ex tb IIIC 135°C
- Certificate numbers: Baseefa 12ATEX0070X
- IECEx BAS 12.0044X



Dimensions in mm (inches)

### Mechanical Information:

- Fixture weight:** 15.4 kg (34 lb)
- Mounting:** 316 stainless steel mounting bracket (included)
- Wiring options:** Factory fitted junction terminal box with 2 off M20 x 1.5mm or 2 off M25 x 1.5mm cable entries

### Electrical Specifications:

- Operating voltage:**
  - Standard Models: 100-277 VAC, 120-250 VDC
  - Hydrogen Models: 100-277 VAC
- Total system power consumption:** See table
- Operating temperature:** -40°C to +60°C
- Harmonics:** IEC 61000-3-2
- Surge protection:** Protection devices capable of handling up to 6kV. Tested for 6kV/2 ohm combination wave, as per IEEE C62.41, line-line and line-ground
- THD:** <20%
- Power factor:** > 0.9

### Construction:

- Housing:** Copper-free aluminum
- Finish:** Superior dual coat finish
  - Sealed polyester topcoat
  - Chemical resistant epoxy primer
- Lens:** Tempered glass (optional fragment retention film available)

### Photometric Information:

- CRI:** 80 typical
  - CCT:** 4000K (neutral white)
- All values typical unless otherwise stated (tolerance +/- 10%)

**WARNING - INSTALLATION & SECONDARY RETENTION.** Use of any Dialight products without proper installation (including secondary retention / netting) and periodic inspections could cause severe injury or death. Dialight recommends that all installations should use secondary retention / netting (appropriate to the installation environment) where applicable. It is the exclusive responsibility of the contractor, installer and/or end-user to: (a) determine the suitability of the product for its intended application; and, (b) ensure that the product is safely installed (with secondary retention / netting where appropriate) and in compliance with all applicable laws and regulations. To the extent permissible under applicable laws, Dialight disclaims all liability for personal injury and/or other damage resulting from any dislodgment or other dislocation of its products.

# SafeSite® LED Floodlight - Zone 1

## Australia & Asia Order Codes

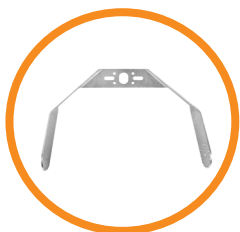
Current Part Number	Historic Part Number	Fixture Lumens	Wattage @ 240VAC	lm/W	Voltage	Colour Temperature (CCT)	Lens	Beam Distribution
<b>Standard Models</b>								
<b>FSA7MN2CDV-NNGN</b>	FLA9MN4KN-KNG	15,890	113	141	100-277 VAC, 120-250 VDC	Neutral White 4000K	Clear Tempered Glass	Medium
FSA7NN2CDV-NNGN	FLA9NN4KN-KNG	15,890	113	141	100-277 VAC, 120-250 VDC	Neutral White 4000K	Clear Tempered Glass	Narrow
<b>FSA7MN2EDV-NNGN</b>	FLA9MN4PN-KNG	20,810	148	141	100-277 VAC, 120-250 VDC	Neutral White 4000K	Clear Tempered Glass	Medium
FSA7NN2EDV-NNGN	FLA9NN4PN-KNG	20,810	148	141	100-277 VAC, 120-250 VDC	Neutral White 4000K	Clear Tempered Glass	Narrow
<b>Hydrogen Models</b>								
FLH9MN4KN-KNG	FLH9MC4KN-KNG	16,000	144	111	100-277 VAC	Neutral White 4000K	Clear Tempered Glass	Medium
FLH9NN4KN-KNG	FLH9NC4KN-KNG	16,000	144	111	100-277 VAC	Neutral White 4000K	Clear Tempered Glass	Narrow
FLH9MN4PN-KNG	FLH9MC4PN-KNG	23,500	212	111	100-277 VAC	Neutral White 4000K	Clear Tempered Glass	Medium
FLH9NN4PN-KNG	FLH9NC4PN-KNG	23,500	212	111	100-277 VAC	Neutral White 4000K	Clear Tempered Glass	Narrow

All values typical unless otherwise stated (tolerance +/- 10%).

Part numbers listed in **bold** are typically available in stock.

Part numbers listed in the table above are neutral white. For cool white models, replace the 6th character with a **C**.

Historical part number provided for reference only. For performance characteristics of historical product, please contact your local representative.



### HBXW3-SSL-316FT

- 316 stainless steel forward throw bracket



### HZXCBL2

- Stainless steel safety cable kit



### HBXSBDK

- Sand blast kit (dome lens)

### HBXSBDL

- Sacrificial dome lens

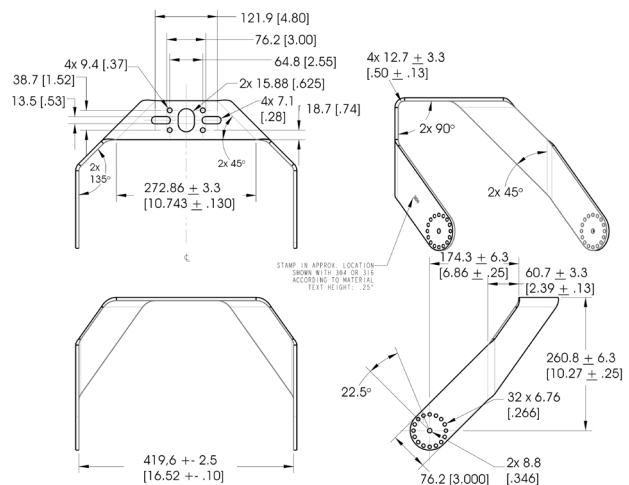


### HBXSBDK

- Sand blast kit (flat lens)

### HBXSBDL

- Sacrificial flat lens



Dimension in mm (inches)

DISCLAIMER. All product information provided is, to the best of Dialight's knowledge, accurate as of the date of publication. When ordering, refer to [www.dialight.com](http://www.dialight.com) for current versions of: (a) relevant product documentation (including the relevant product data sheets); (b) Dialight terms and conditions of sale; and, (c) the relevant product warranty. To the extent that any contract is deemed formed between Dialight and the purchaser of Dialight products and/or an end-user, versions of documents available at [www.dialight.com](http://www.dialight.com) as at the date of sale shall be the versions incorporated therein. In the event of any discrepancy between this document or information provided at [www.dialight.com](http://www.dialight.com), the latter shall prevail.

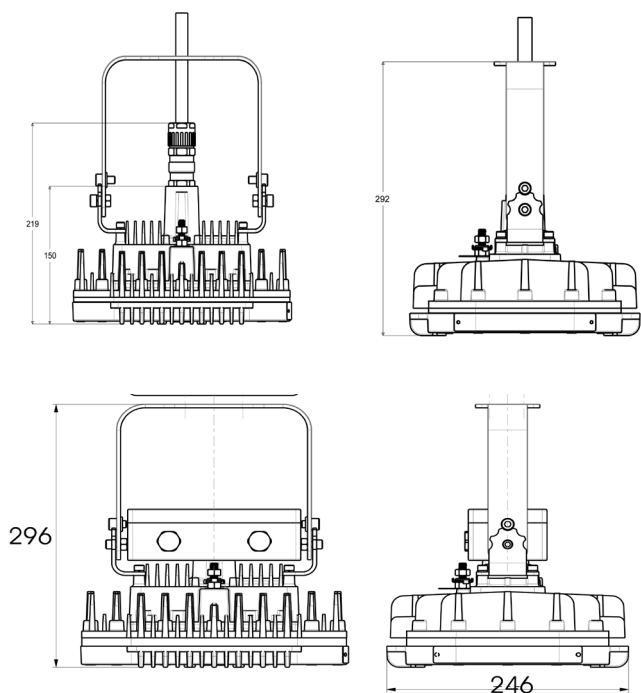
# SafeSite® LED Area Light - IECEx/ATEX

## Technical Specifications



### Certifications & Ratings

- Ex d e IIC T4 Gb (Ta = -40°C to +65°C)
- Ex d e IIC T5 Gb (Ta = -40°C to +42°C)
- Ex t IIIC T135°C Db IP 6X (Ta = -40°C to +65°C)
- Ex t IIIC T100°C Db IP 6X (Ta = -40°C to +42°C)
- Certificate numbers: IECEx SIR 11.0156 SIRA 11ATEX1357
- ATEX Zones 1, 21
- ATEX Zones 2, 22
- ABS Design Assessed: #13-HS1043210C-PDA
- IP66
- IK08 impact rating



Dimensions in mm

### Mechanical Information:

<b>Fixture weight:</b>	9.53kg (21lb) - Zone 1, 21 9.07kg (20lb) - Junction Box
<b>Shipping weight:</b>	10.43kg (23lb) - Zone 1, 21 9.98kg (22lb) - Junction Box
<b>Mounting:</b>	Supplied with stirrup mounting bracket
<b>Wiring options:</b>	Factory installed 3 metre 3 core armored cable. 5 metre available, consult factory
Junction box models:	Factory installed junction box with terminal block. 2 x 20mm blank entries

### Electrical Specifications:

<b>Operating voltage:</b>	100 – 277 VAC, 50/60 Hz
<b>Power consumption:</b>	See table
<b>Operating temp:</b>	-40°C to +65°C (40°F to +149°F)
<b>Surge protection:</b>	1 KV line to line 2 KV line to ground
<b>THD:</b>	<20%
<b>Power factor:</b>	> 0.9

### Construction:

<b>Housing:</b>	Copper free aluminum (A360)
<b>Finish:</b>	Polyester / epoxy powder coat gray RAL 7040 for superior corrosion resistance
<b>Lens:</b>	Toughened glass

### Photometric Information:

<b>CRI:</b>	75
<b>CCT:</b>	5000K (cool white) 4000K (neutral white)
<b>Optics:</b>	180°C distribution 360°C distribution
<b>IES files:</b>	available at <a href="http://www.dialight.com">www.dialight.com</a>

All values typical unless otherwise stated (tolerance +/- 10%)

**WARNING - INSTALLATION & SECONDARY RETENTION.** Use of any Dialight products without proper installation (including secondary retention / netting) and periodic inspections could cause severe injury or death. Dialight recommends that all installations should use secondary retention / netting (appropriate to the installation environment) where applicable. It is the exclusive responsibility of the contractor, installer and/or end-user to: (a) determine the suitability of the product for its intended application; and, (b) ensure that the product is safely installed (with secondary retention / netting where appropriate) and in compliance with all applicable laws and regulations. To the extent permissible under applicable laws, Dialight disclaims all liability for personal injury and/or other damage resulting from any dislodgment or other dislocation of its products.

# SafeSite® LED Area Light - IECEx/ATEX

## Australia & Asia Order Codes

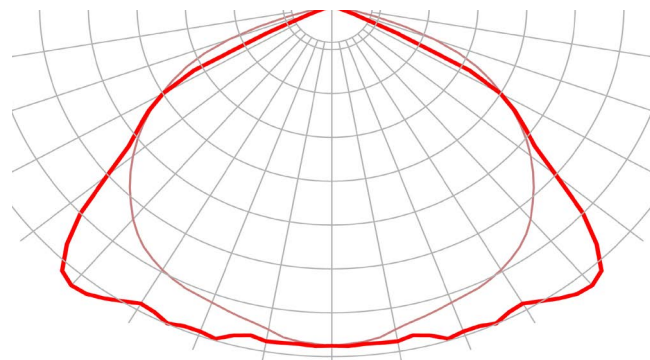
Current Part Number	Historic Part Number	Fixture Lumens	Wattage	lm/W	Voltage	Colour Temperature (CCT)	Lens	Beam Distribution	Mounting Options
<b>IECEX / ATEX Zone 1, 21</b>									
<b>HZA9C2N</b>		6,000	57	105	100-277 VAC	5000K (cool white)	Toughened glass	360°	Stirrup bracket
<b>IECEX / ATEX Zone 1, 21 with Junction Box</b>									
<b>HZJA5C2N</b>		5,100	47	109	100-277 VAC	5000K (cool white)	Toughened glass	360°	Junction box
<b>HZJA9C2N</b>		6,000	57	105	100-277 VAC	5000K (cool white)	Tempered glass	360°	Junction box

All values typical unless otherwise stated (tolerance +/- 10%).

Part numbers listed in **bold** are typically available in stock.

Historical part number provided for reference only. For performance characteristics of historical product, please contact your local representative.

360° Pattern



DISCLAIMER. All product information provided is, to the best of Dialight's knowledge, accurate as of the date of publication. When ordering, refer to [www.dialight.com](http://www.dialight.com) for current versions of: (a) relevant product documentation (including the relevant product data sheets); (b) Dialight terms and conditions of sale; and, (c) the relevant product warranty. To the extent that any contract is deemed formed between Dialight and the purchaser of Dialight products and/or an end-user, versions of documents available at [www.dialight.com](http://www.dialight.com) as at the date of sale shall be the versions incorporated therein. In the event of any discrepancy between this document or information provided at [www.dialight.com](http://www.dialight.com), the latter shall prevail.

# SafeSite® LED Area Light - UL 844 Class I, Div 2

## Technical Specifications



### Certifications & Ratings\*

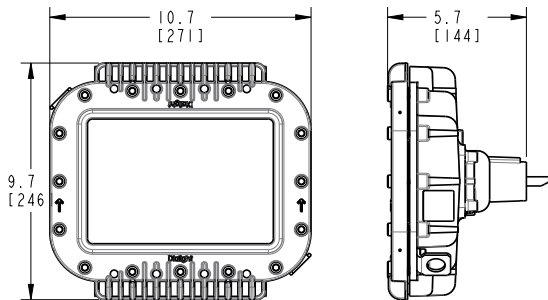
- 10 year warranty
- L70 > 150,000 hours @ 65°C
- UL 844, UL 1598/A
- CSA C22.2 No. 250
- CSA C22.2 No. 137-M81
- IP66 / 67 / 69
- NEMA 4X
- Factory sealed

### ALD/ALF:

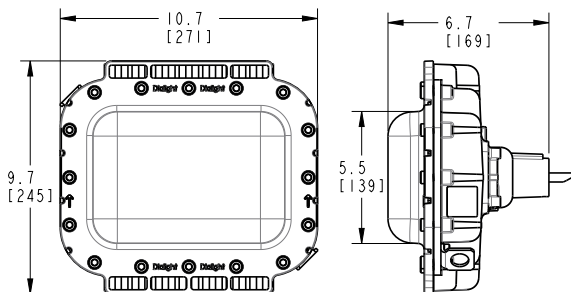
- Class I, Div. 2, Groups A, B, C, D
- Class I, Zone 2, Group IIC
- Class II, Div. 1, Groups E, F, G
- Zone 20 and 21
- Class II, Div. 2 Groups F, G
- Zone 22
- Class III, Div. 1 & 2

\*ETL listed

### Tempered Glass Lens



### Polycarbonate Lens



Dimensions in inches [mm]

### Mechanical Information:

**Fixture weight:** 10 lb (4.5 kg) - Polycarbonate lens  
 12 lb (5.5 kg) - Tempered glass lens  
**with stainless steel bracket:** 13 lb (5.9 kg) - Polycarbonate lens  
 15 lb (6.8 kg) - Tempered glass lens

**Shipping weight:** Add 2 lb (0.91 kg) to weights above

**Impact rating:** IK10 - Polycarbonate lens  
 IK07 - Tempered glass lens

**Cabling:** 10' ST00W 1.02mm 18 AWG

### Electrical Specifications:

**Operating voltage:** 100-277 VAC 50/60Hz, 120-250 VDC

**Total system power consumption:** See table

**Operating temperature:** -40°F to +149°F (-40°C to +65°C)

**EMC:** FCC Title 47, Subpart B, Section 15, Class A device  
 RF Immunity 20V/m 80MHz-1GHz.

**Transient protection:** 6 kV, 2 Ohm line-line and line-ground

**Harmonics:** IEC 61000-3-2, Class C

**THD:** < 20%

**Power factor:** > 0.9

### Construction:

**Housing:** Copper-free aluminum

**Finish:** Superior dual coat finish  
 - Sealed polyester topcoat  
 - Epoxy primer

**Lens:** Hard-coated polycarbonate  
 Tempered glass

### Photometric Information:

**CRI:** 80

**CCT:** 5000K (cool white)  
 4000K (neutral white)

**Optics:** 360°  
 180° forward throw for 45° mounting  
 Wide for 0° mounting

All values typical unless otherwise stated (tolerance +/- 10%)

### Temperature Ratings

Ambient Temperature Range T4A

Ambient Temperature Range T5

-40°F to +149°F (-40°C to +65°C)

-40°F to +113°F (-40°C to +45°C)

**WARNING - INSTALLATION & SECONDARY RETENTION.** Use of any Dialight products without proper installation (including secondary retention / netting) and periodic inspections could cause severe injury or death. Dialight recommends that all installations should use secondary retention / netting (appropriate to the installation environment) where applicable. It is the exclusive responsibility of the contractor, installer and/or end-user to: (a) determine the suitability of the product for its intended application; and, (b) ensure that the product is safely installed (with secondary retention / netting where appropriate) and in compliance with all applicable laws and regulations. To the extent permissible under applicable laws, Dialight disclaims all liability for personal injury and/or other damage resulting from any dislodgment or other dislocation of its products.

# SafeSite® LED Area Light - UL 844 Class I, Div 2

## Asia Order Codes

Current Part Number	Historic Part Number	Fixture Lumens	Wattage	lm/W	Voltage	Colour Temperature (CCT)	Lens	Beam Distribution	Mounting Options
<b>Class I, Div. 1</b>									
ALC7BN26DBWNGN	HZC9N2NDR	5,300	40	133	100-277 VAC, 120-250 VDC	4000K (neutral white)	Tempered glass	360°	316 stainless steel adjustable bracket
ALC7BC26DBWNGN	HZC9N2NDR	5,400	40	135	100-277 VAC, 120-250 VDC	5000K (cool white)	Tempered glass	360°	316 stainless steel adjustable bracket
<b>Class I, Div. 2</b>									
ALD5BN26DNWNGN	HZD9N2N	5,100	40	127	100-277 VAC, 120-250 VDC	4000K (neutral white)	Polycarbonate	360°	3/4" NPT
ALD7WC27DNWNGN		7,300	64	114	100-277 VAC, 120-250 VDC	5000K (cool white)	Tempered glass	Wide	3/4" NPT
ALD7BC29DNWNGN		9,000	66	136	100-277 VAC, 120-250 VDC	5000K (cool white)	Tempered glass	360°	3/4" NPT
ALD5AN26DCNNGN	HZD8N2NC	4,900	40	122	100-277 VAC, 120-250 VDC	4000K (neutral white)	Tempered glass	180°	Crous Hinds - Champ adapter
<b>Class 2, Div. 1</b>									
ALF5BN26DANNGN	HZF5C2NA, HZF9C2NA	5,100	40	127	100-277 VAC, 120-250 VDC	5000K (cool white)	Polycarbonate	360°	Appleton Mercmaster III adapter

All values typical unless otherwise stated (tolerance +/- 10%).

Part numbers listed in **bold** are typically available in stock.

Part numbers listed in the table above are neutral white. For cool white models, replace the 6th character with a **C**.

Historical part number provided for reference only. For performance characteristics of historical product, please contact your local representative.



Certified to: UL 50E • CSA C22.2 No. 94.2-07

**HZXSTAN100S**

- 1.00" (1.315" Pole OD) slip-fit stanchion mount

**HZXSTAN125S**

- 1.25" (1.660" Pole OD) slip-fit stanchion mount

**HZXSTAN052S**

- 52mm slip-fit stanchion mount

**HZXSTAN200S**

- 2.00" (2.375" Pole OD) slip-fit stanchion mount

**HZXSTAN100T**

- 1.00" (1.315" Pole OD) NPT-threaded stanchion mount

**HZXSTAN125T**

- 1.25" (1.660" Pole OD) NPT-threaded stanchion mount

**HZXSTAN150T**

- 1.50" (1.900" Pole OD) NPT-threaded stanchion mount

**HZXSTAN200T**

- 2.00" (2.375" Pole OD) NPT-threaded stanchion mount



**HZXW3**

- 316 stainless steel bracket

**HZXW7**

- Aluminum bracket



**HZXSAFECBLS**

- Safety cable kit



**HZXW4**

- 316 stainless steel bracket with 1.5" pipe clamp

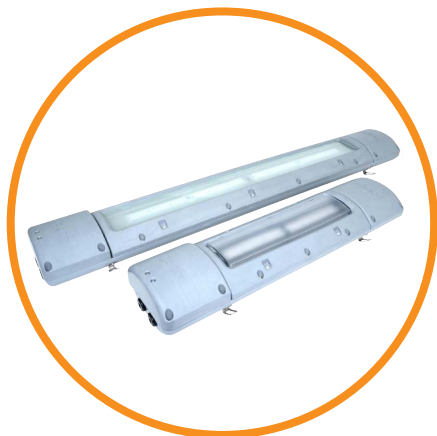
**HZXW8**

- Aluminum bracket with 1.5" pipe clamp

**DISCLAIMER.** All product information provided is, to the best of Dialight's knowledge, accurate as of the date of publication. When ordering, refer to [www.dialight.com](http://www.dialight.com) for current versions of: (a) relevant product documentation (including the relevant product data sheets); (b) Dialight terms and conditions of sale; and, (c) the relevant product warranty. To the extent that any contract is deemed formed between Dialight and the purchaser of Dialight products and/or an end-user, versions of documents available at [www.dialight.com](http://www.dialight.com) as at the date of sale shall be the versions incorporated therein. In the event of any discrepancy between this document or information provided at [www.dialight.com](http://www.dialight.com), the latter shall prevail.

# SafeSite® LED GRP Linear

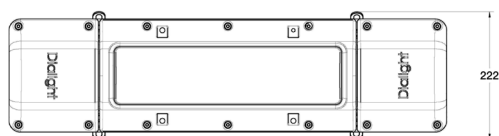
## IECEX



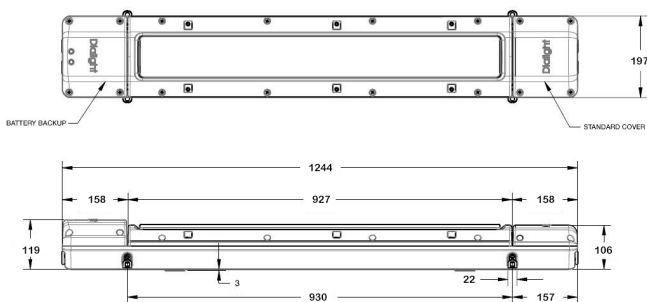
### Certifications & Ratings

- 10 year warranty
- CE
- RCM
- IP66/67
- IECEx Zone 1, 2, 21 & 22 • IECEx Zones 2, 21 & 22
  - Ex II 2 GD
    - Ex eb mb op is IIC T4 Gb
    - Ex tb op is IIIC T130°C Db
    - Certification numbers:
      - Sira 19ATEX4226X
      - IECEx SIR 19.0068X
  - Ex II 3 GD
    - Ex ec IIC T4 Gc
    - Ex tc IIIC T130°C Dc
    - IECEx SIR 19.0069X
  - Ex II 2 D
    - Ex tb op is IIIC T130°C Db
    - IECEx SIR 19.0069X
- DALI 1.0/2.0 as standard
- Up to 2,875 & 5,750 (nominal) lumen outputs

### 764 mm Model



### 1244 mm Model



Dimensions in mm

### Mechanical Information:

#### Fixture weights:

Standard models: 764 mm: 7.7 kg  
1244 mm: 10.9 kg

Emergency models: 764 mm: 8.6 kg  
1244 mm: 11.8 kg

#### Mounting:

(2) M8 fixing points  
Other mounting options available, see page 5 for details

#### Cable entry:

(2) M25 cable entries at both ends, through wired as standard

#### Safety Retention:

(4) 316 Stainless steel tabs as standard

### Electrical Specifications:

#### Operating voltage:

Standard:  
100-277 VAC, 50/60Hz  
120-250 VDC

Emergency:  
230/240 VAC, 50Hz  
110/120 VAC, 60Hz (Zone 1 only)

#### Operating temperature:

Standard models: -40°C to +65°C  
Emergency models: -20°C to +50°C

#### Harmonics & emissions:

IEC 55015 (conducted & radiated)  
IEC 61000-3-2  
IEC 61000-3-3  
IEC 61547

#### Transient protection:

IEC 61000-4-5  
6kV line-to-line & line-to-ground

#### Power factor:

> 0.9

### Emergency Models:

**Lumen output in EM mode:** 10-25% of initial light output (depending on selected duration and length of fitting)

**Expected battery life\*:** 4 years

#### Battery duration\*:

90 min. (standard)  
60/180 min. (optional, field-configurable)

### Materials:

#### Housing:

Glass-reinforced polyester

#### Lens:

- Textured polycarbonate convex lens (standard)  
- Textured flat glass lens (optional)

### Photometric Information:

#### CRI:

80 minimum

#### CCT:

5000K (cool white)  
4000K (neutral white)  
Green (Shower-Safe/Eye-Wash station model)  
Amber (Wildlife-Friendly)

All values typical unless otherwise stated (tolerance +/- 10%)

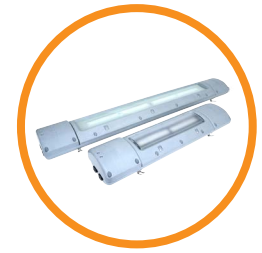
\* @ 25°C ambient

**WARNING - INSTALLATION & SECONDARY RETENTION.** Use of any Dialight products without proper installation (including secondary retention / netting) and periodic inspections could cause severe injury or death. Dialight recommends that all installations should use secondary retention / netting (appropriate to the installation environment) where applicable. It is the exclusive responsibility of the contractor, installer and/or end-user to: (a) determine the suitability of the product for its intended application; and, (b) ensure that the product is safely installed (with secondary retention / netting where appropriate) and in compliance with all applicable laws and regulations. To the extent permissible under applicable laws, Dialight disclaims all liability for personal injury and/or other damage resulting from any dislodgment or other dislocation of its products.



# Ordering Information

## SafeSite® LED GRP Linear - IECEx



Part Number	Fixture Lumens (Nominal)	Wattage	lm/W	Voltage	CCT	Lens
<b>Zone 1, 2, 21 &amp; 22 Models (Standard)</b>						
P2ABMC23A54WGN	2,875	25	115	100-277 VAC/120-250 VDC	5000K (cool white)	Textured Polycarbonate
P4ABMC26A54WGN	5,750	47	123	100-277 VAC/120-250 VDC	5000K (cool white)	Textured Polycarbonate
<b>P2ABMN23A54WGN</b>	2,785	25	111	100-277 VAC/120-250 VDC	4000K (neutral white)	Textured Polycarbonate
<b>P4ABMN26A54WGN</b>	5,575	47	119	100-277 VAC/120-250 VDC	4000K (neutral white)	Textured Polycarbonate
<b>Zone 1, 2, 21 &amp; 22 Models (Emergency Backup)</b>						
P2ABMCG3A54WGF	2,875	29	99	230/240 VAC	5000K (cool white)	Textured Polycarbonate
P4ABMCG6A54WGF	5,750	51	113	230/240 VAC	5000K (cool white)	Textured Polycarbonate
P2ABMC13A54WGF	2,875	29	99	110/120 VAC	5000K (cool white)	Textured Polycarbonate
P4ABMC16A54WGF	5,750	51	113	110/120 VAC	5000K (cool white)	Textured Polycarbonate
<b>P2ABMNG3A54WGF</b>	2,785	29	96	230/240 VAC	4000K (neutral white)	Textured Polycarbonate
<b>P4ABMNG6A54WGF</b>	5,575	51	109	230/240 VAC	4000K (neutral white)	Textured Polycarbonate
<b>P2ABMN13A54WGF</b>	2,785	29	96	110/120 VAC	4000K (neutral white)	Textured Polycarbonate
<b>P4ABMN16A54WGF</b>	5,575	51	109	110/120 VAC	4000K (neutral white)	Textured Polycarbonate
<b>Zone 2, 21 &amp; 22 Models (Standard)</b>						
P2BBMC23A5NWGN	2,875	25	115	100-277 VAC/120-250 VDC	5000K (cool white)	Textured Polycarbonate
P4BBMC26A5NWGN	5,750	47	123	100-277 VAC/120-250 VDC	5000K (cool white)	Textured Polycarbonate
<b>P2BBMN23A5NWGN</b>	2,785	25	111	100-277 VAC/120-250 VDC	4000K (neutral white)	Textured Polycarbonate
<b>P4BBMN26A5NWGN</b>	5,575	47	119	100-277 VAC/120-250 VDC	4000K (neutral white)	Textured Polycarbonate
<b>Zone 2, 21 &amp; 22 Models (Emergency Backup)</b>						
P2BBMC23A5NWGF	2,875	29	99	230/240 VAC	5000K (cool white)	Textured Polycarbonate
P4BBMC26A5NWGF	5,750	51	113	230/240 VAC	5000K (cool white)	Textured Polycarbonate
<b>P2BBMN23A5NWGF</b>	2,785	29	96	230/240 VAC	4000K (neutral white)	Textured Polycarbonate
<b>P4BBMN26A5NWGF</b>	5,575	51	109	230/240 VAC	4000K (neutral white)	Textured Polycarbonate

All values typical unless otherwise stated (tolerance +/- 10%).

**DISCLAIMER.** All product information provided is, to the best of Dialight's knowledge, accurate as of the date of publication. When ordering, refer to [www.dialight.com](http://www.dialight.com) for current versions of: (a) relevant product documentation (including the relevant product data sheets); (b) Dialight terms and conditions of sale; and, (c) the relevant product warranty. To the extent that any contract is deemed formed between Dialight and the purchaser of Dialight products and/or an end-user, versions of documents available at [www.dialight.com](http://www.dialight.com) as at the date of sale shall be the versions incorporated therein. In the event of any discrepancy between this document or information provided at [www.dialight.com](http://www.dialight.com), the latter shall prevail.

# Ordering Information

## SafeSite® LED GRP Linear - IECEx



Part Number	Fixture Lumens (Nominal)	Wattage	lm/W	Voltage	CCT	Lens
<b>Shower-Safe/Eye-Wash Station Version - Zone 1, 2, 21 &amp; 22 (Emergency Backup)</b>						
P2ABMGG3A54WGF		29		230/240 VAC	Green	Textured Polycarbonate
P4ABMGG6A54WGF		51		230/240 VAC	Green	Textured Polycarbonate
P2ABMG13A54WGF		29		110/120 VAC	Green	Textured Polycarbonate
P4ABMG16A54WGF		51		110/120 VAC	Green	Textured Polycarbonate
<b>Shower-Safe/Eye-Wash Station Version - Zone 2, 21 &amp; 22 (Emergency Backup)</b>						
P2BBMG23A5NWGF		29		230/240 VAC	Green	Textured Polycarbonate
P4BBMG26A5NWGF		51		230/240 VAC	Green	Textured Polycarbonate
<b>Wildlife Friendly - Zone 1, 2, 21 &amp; 22 (Standard)</b>						
P2ABMA23A54WGN		25		100-277 VAC/120-250 VDC	Amber	Textured Polycarbonate
P4ABMA26A54WGN		47		100-277 VAC/120-250 VDC	Amber	Textured Polycarbonate
<b>Wildlife Friendly - Zone 1, 2, 21 &amp; 22 (Emergency Backup)</b>						
P2ABMAG3A54WGF		29		230/240 VAC	Amber	Textured Polycarbonate
P4ABMAG6A54WGF		51		230/240 VAC	Amber	Textured Polycarbonate
P2ABMA13A54WGF		29		110/120 VAC	Amber	Textured Polycarbonate
P4ABMA16A54WGF		51		110/120 VAC	Amber	Textured Polycarbonate
<b>Wildlife Friendly - Zone 2, 21 &amp; 22 (Standard)</b>						
P2BBMA23A5NWGN		25		100-277 VAC/120-250 VDC	Amber	Textured Polycarbonate
P4BBMA26A5NWGN		47		100-277 VAC/120-250 VDC	Amber	Textured Polycarbonate
<b>Wildlife Friendly - Zone 2, 21 &amp; 22 (Emergency Backup)</b>						
P2BBMA23A5NWGF		29		230/240 VAC	Amber	Textured Polycarbonate
P4BBMA26A5NWGF		51		230/240 VAC	Amber	Textured Polycarbonate

All values typical unless otherwise stated (tolerance +/- 10%).

**DISCLAIMER.** All product information provided is, to the best of Dialight's knowledge, accurate as of the date of publication. When ordering, refer to [www.dialight.com](http://www.dialight.com) for current versions of: (a) relevant product documentation (including the relevant product data sheets); (b) Dialight terms and conditions of sale; and, (c) the relevant product warranty. To the extent that any contract is deemed formed between Dialight and the purchaser of Dialight products and/or an end-user, versions of documents available at [www.dialight.com](http://www.dialight.com) as at the date of sale shall be the versions incorporated therein. In the event of any discrepancy between this document or information provided at [www.dialight.com](http://www.dialight.com), the latter shall prevail.

# SafeSite® LED GRP Linear

## Accessories



### ELX-CMB-SS

- 316 Marine Grade stainless steel ceiling mount kit



### ELX-PC-SS-42

- 37-44mm Ø 316 Marine Grade stainless steel pole clamp



### ELX-WMB-SS-45

- 45° 316 Marine Grade stainless steel wall mount kit

### ELX-PC-SS-47

- 44-50mm Ø 316 Marine Grade stainless steel pole clamp

### ELX-WMB-SS-60

- 60° 316 Marine Grade stainless steel wall mount kit

### ELX-PC-SS-54

- 50-58mm Ø 316 Marine Grade stainless steel pole clamp



### HBXCAB48

- 1.2m (48") long stainless steel safety rope (for use with safety bracket)

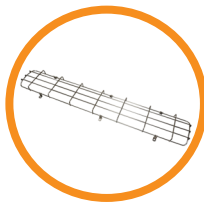
### ELX-PC-SS-59

- 58-68mm Ø 316 Marine Grade stainless steel pole clamp



### ELX-EYE-SS

- 316 Marine Grade stainless steel eyelet kit



### RLX-WG-2

- Wire guard for 764mm model

### RLX-WG-4

- Wire guard for 1244mm model



### RLX-BATT-KIT-2

- 764mm replacement battery kit



### RL-WIRELESS-2\*

- Wireless controls kit for 764mm models (Zone 2 only)

### RLX-BATT-KIT-4

- 1244mm replacement battery kit

### RL-WIRELESS-4\*

- Wireless controls kit for 1244mm models (Zone 2 only)

\*Must be fitted to GRP Linear by authorized Dialight personnel prior to delivery

**DISCLAIMER.** All product information provided is, to the best of Dialight's knowledge, accurate as of the date of publication. When ordering, refer to [www.dialight.com](http://www.dialight.com) for current versions of: (a) relevant product documentation (including the relevant product data sheets); (b) Dialight terms and conditions of sale; and, (c) the relevant product warranty. To the extent that any contract is deemed formed between Dialight and the purchaser of Dialight products and/or an end-user, versions of documents available at [www.dialight.com](http://www.dialight.com) as at the date of sale shall be the versions incorporated therein. In the event of any discrepancy between this document or information provided at [www.dialight.com](http://www.dialight.com), the latter shall prevail.

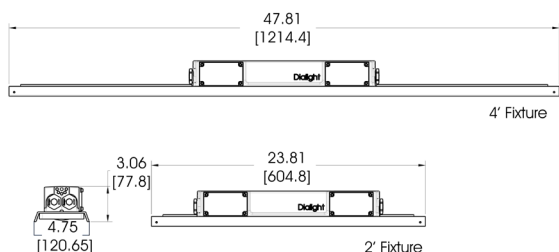
# SafeSite® LED Linear - UL

## Technical Specifications



### Certifications & Ratings

- UL 1598/A
- UL 844
- CSA C22.2 No. 137
- CSA C22.2 No. 250
- IP66 / 67
- Class I, Div. 2 Groups A, B, C & D
- Class II, Div. 1 Groups E, F & G
- Class II, Div. 2 Groups F & G
- Class III
- NEMA 4X



### Temperature Ratings

Ambient Temperature Range T4A Temperature Code	Ambient Temperature Range T5 Temperature Code
-4°F to +149°F (-20°C to +65°C)	-4°F to +113°F (-20°C to +45°C)

### Mechanical Information:

- Fixture weight:** 4' - 10 lb (4.5 kg)  
2' - 7 lb (3.2 kg)
- Shipping weight:** 4' - 11 lb (5.0 kg)  
2' - 8 lb (3.6 kg)
- Mounting:** (4) 3/4" NPT openings  
Optional swivel bracket - LPXW4  
Optional low profile bracket - LPXW4LP

### Electrical Specifications:

- Operating voltage:** 100-277 VAC, 50/60Hz
- Power consumption:** See ordering information
- Operating temp:** -40°F to +149°F (-40°C to +65°C)
- Harmonics:** IEC 61000-3-2
- Noise Requirements/EMC:** FCC Title 47, Subpart B, Section 15, Class A device. RF Immunity; 10V/m, 80MHz-1GHz
- Surge protection:** EN 61000-4-5  
4 kV line-to-line  
4 kV line-to-ground
- THD:** < 20%
- Power factor:** > 0.9

### Construction:

- Finish:** Superior dual coat finish  
- Sealed polyester topcoat  
- Chemical resistant epoxy primer
- Lens:** Polycarbonate

### Photometric Information:

- CRI:** 80
- CCT:** 5000K (cool white)  
4000K (neutral white)
- IES files:** Available at [www.dialight.com](http://www.dialight.com)

All values typical unless otherwise stated (tolerance +/- 10%)

**WARNING - INSTALLATION & SECONDARY RETENTION.** Use of any Dialight products without proper installation (including secondary retention / netting) and periodic inspections could cause severe injury or death. Dialight recommends that all installations should use secondary retention / netting (appropriate to the installation environment) where applicable. It is the exclusive responsibility of the contractor, installer and/or end-user to: (a) determine the suitability of the product for its intended application; and, (b) ensure that the product is safely installed (with secondary retention / netting where appropriate) and in compliance with all applicable laws and regulations. To the extent permissible under applicable laws, Dialight disclaims all liability for personal injury and/or other damage resulting from any dislodgment or other dislocation of its products.

# SafeSite® LED Linear - UL

## Australia & Asia Order Codes

Current Part Number	Historic Part Number	Fixture Lumens	Wattage	lm/W	Voltage	Colour Temperature (CCT)	Lens	Beam Distribution
LPD3N4B2W	LPD3C4B2W	3,300	33	100	100-277 VAC	4000K (neutral white)	Diffused polycarbonate	Diffused
LPD3N4H2W	LPD3C4H2W	6,700	66	102	100-277 VAC	4000K (neutral white)	Diffused polycarbonate	Diffused

All values typical unless otherwise stated (tolerance +/- 10%).

Part numbers listed in **bold** are typically available in stock.

Part numbers listed in the table above are neutral white. For cool white models, replace the 6th character with a **C**.

Historical part number provided for reference only. For performance characteristics of historical product, please contact your local representative.



### LPXW4

- 316 Stainless steel mounting bracket
- Can be angled at 0°, 30°, 45°, 60° & 90°



### LPXW4LP

- 316 Stainless steel low profile mounting bracket
- Can be angled at 0° and 15°



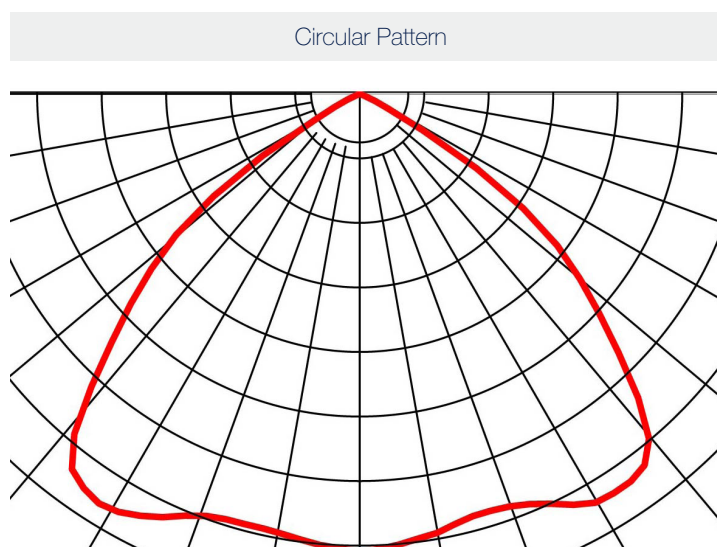
### LTXSAFEKIT

- 304 Stainless steel safety cable kit for secondary retention



### LTXENDCAPKIT

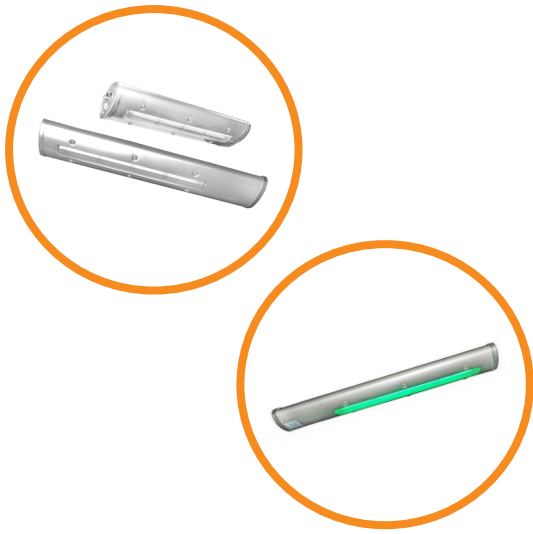
- 304 Stainless steel chain mount and secondary retention bracket



**DISCLAIMER.** All product information provided is, to the best of Dialight's knowledge, accurate as of the date of publication. When ordering, refer to [www.dialight.com](http://www.dialight.com) for current versions of: (a) relevant product documentation (including the relevant product data sheets); (b) Dialight terms and conditions of sale; and, (c) the relevant product warranty. To the extent that any contract is deemed formed between Dialight and the purchaser of Dialight products and/or an end-user, versions of documents available at [www.dialight.com](http://www.dialight.com) as at the date of sale shall be the versions incorporated therein. In the event of any discrepancy between this document or information provided at [www.dialight.com](http://www.dialight.com), the latter shall prevail.

# SafeSite® LED Stainless Steel Linear - CE

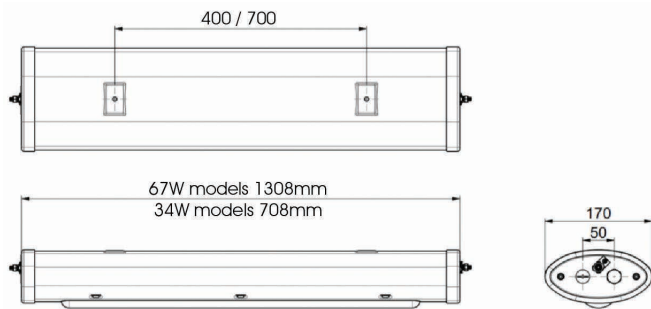
## Technical Specifications



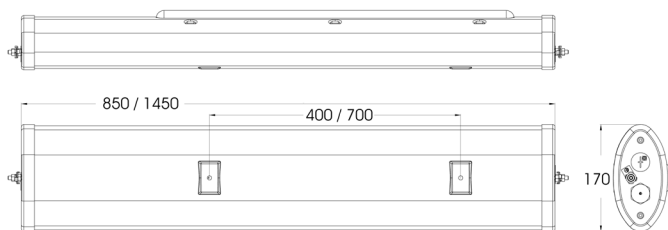
### Certifications & Ratings\*

- Ex e mb IIC T4 Gb (Ta = -20°C to +60°C)
- Ex tb IIIC T135°C Db (Ta = -20°C to +60°C)
- Certificate numbers: IECEx SIR 12.0093X SIRA12ATEX3217X
- ATEX Zones 1, 21
- ATEX Zones 2, 22
- 5 year warranty
- CE
- EN 55015:2006
- EN 61547:2009
- EN 60598:2008
- IP66/67
- IK07 to EN 50102
- C & D shock compliant to MOD specification BR8470

### Standard Model



### Emergency Model



Dimensions in mm

### Mechanical Information:

#### Fixture weight:

Standard Models: 1308mm - 11.3 kg (25 lb)  
708mm - 6.8 kg (15 lb)  
Emergency Models: 1450mm - 14.1 kg (31 lb)  
850mm - 9.1 kg (20 lb)

#### Shipping weight:

Standard Models: 1308mm - 14.1 kg (31 lb)  
708mm - 9.1 kg (20 lb)

Emergency Models: 1450mm - 17.2 kg (38 lb)  
850mm - 11.3 kg (25 lb)

#### Mounting:

(2) M8 fixing points

#### Cable Entry:

2 x M25 cable entries at both ends, through wired as standard. Consult factory for other options

#### Terminals:

4mm<sup>2</sup> x 7

### Electrical specifications:

#### Operating Voltage:

Standard Models: 110-250 VAC, 50/60Hz  
Emergency Models: 230/240 VAC, 50/60Hz

#### Total system power consumption:

See table

#### Operating Temp:

-20°C to +60°C

#### Noise Requirements/ EMC:

EN 61000-3-2: 2006

#### Surge protection:

EN61000-4-5  
1 kV line-to-line  
2 kV line-to-ground

#### Power Factor:

> 0.9

### Power Supply:

**ALT:** (accelerated life testing) Over 15 yr equivalent at 24/7 service

**MTBF:** (mean time between failures) Over 300 years with annual failure rate less than 0.3% expected

**Driver:** Fully potted and sealed for superior protection

### Emergency Models:

**Battery:** 3.6V 10Ah NiMH

**Expected Battery Life\*:** 4 years

**Battery Duration\*:** >180 Minutes

### Materials:

**Housing and Fixings:** 316 Marine grade stainless steel

**Lens:** High impact resistant polycarbonate

**Mounting Brackets:** 316L stainless steel

**Safety Shackle:** Optional factory fitted stainless steel safety shackle with 1 meter safety cord

**Vibration:** Up to 5G @ 10-150Hz for 750,000 cycles, per IEC 60068-2-6 for luminaire only

**Shock:** 50G half-sine for 3 cycles, per IEC 60068-2-27 for luminaire only

### Photometric Information:

**CRI:** 70

**CCT:** 5000K (cool white)  
4000K (neutral white)

All values typical unless otherwise stated (tolerance +/- 10%)  
\*@ 25°C ambient

**WARNING - INSTALLATION & SECONDARY RETENTION.** Use of any Dialight products without proper installation (including secondary retention / netting) and periodic inspections could cause severe injury or death. Dialight recommends that all installations should use secondary retention / netting (appropriate to the installation environment) where applicable. It is the exclusive responsibility of the contractor, installer and/or end-user to: (a) determine the suitability of the product for its intended application; and, (b) ensure that the product is safely installed (with secondary retention / netting where appropriate) and in compliance with all applicable laws and regulations. To the extent permissible under applicable laws, Dialight disclaims all liability for personal injury and/or other damage resulting from any dislodgment or other dislocation of its products.

# SafeSite® LED Stainless Steel Linear - CE

## Australia & Asia Order Codes

Current Part Number	Historic Part Number	Fixture Lumens	Wattage	lm/W	Voltage	Colour Temperature (CCT)	Lens	Beam Distribution
<b>Non-Emergency Models</b>								
<b>ELA-1N6M-SSCB4</b>	ELA-1C3M-SSCB	2,450	34	72	110-277 VAC	4000K (neutral white)	Polycarbonate	Medium
<b>ELA-1N6R-SSCB4</b>	ELA-1C3R-SSCB	4,800	67	71	110-277 VAC	4000K (neutral white)	Polycarbonate	Medium
<b>Emergency Models</b>								
<b>ELEA-2N7M-SSCB4</b>	ELEA-2C4M-SSCB	2,450	35	70	230/240 VAC	4000K (neutral white)	Polycarbonate	Medium
<b>ELEA-2N7R-SSCB4</b>	ELEA-2C4R-SSCB	4,800	70	68	230/240 VAC	4000K (neutral white)	Polycarbonate	Medium
<b>Shower Light Models</b>								
<b>ELEA-2G7M-SSCB4</b>	ELEA-2G4M-SSCB		35		230/240 VAC	Green	Polycarbonate	Medium
<b>ELEA-2G7R-SSCB4</b>	ELEA-2G4R-SSCB		70		230/240 VAC	Green	Polycarbonate	Medium

All values typical unless otherwise stated (tolerance +/- 10%).

Part numbers listed in **bold** are typically available in stock.

Part numbers listed in the table above are neutral white. For cool white models, replace the 5th (non-emergency) or 6th (emergency) character with a **C**.

Historical part number provided for reference only. For performance characteristics of historical product, please contact your local representative.



### ELXCMBSS

- 316 Marine grade stainless steel ceiling mount kit



### ELXEYESS

- 316 Marine grade stainless steel eyelet kit



### ELX-BATT-KIT

- Emergency model
- 3.6V 10Ah NIMH battery kit



### ELXPCSS42

- 37 Ø - 44mm range 316 Marine grade stainless steel pole clamp

### ELXPCSS54

- 50 Ø - 58mm range 316 Marine grade stainless steel pole clamp



### ELXWMBSS30

- 30° 316 Marine grade stainless steel wall mount kit

### ELXWMBSS60

- 60° 316 Marine grade stainless steel wall mount kit

### ELXPCSS47

- 44 Ø - 50mm range 316 Marine grade stainless steel pole clamp

### ELXPCSS59

- 58 Ø - 68mm range 316 Marine grade stainless steel pole clamp

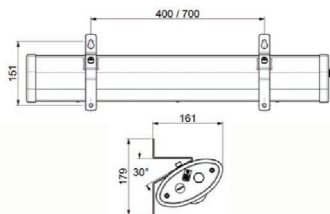
### ELXWMBSS45

- 45° 316 Marine Grade stainless steel wall mount kit

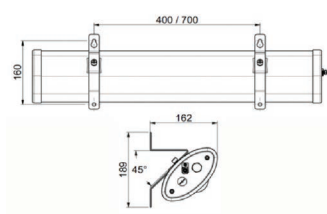
### ELXWMBSS90

- 90° 316 Marine grade stainless steel wall mount kit

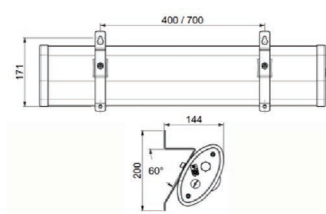
## Mounting Options



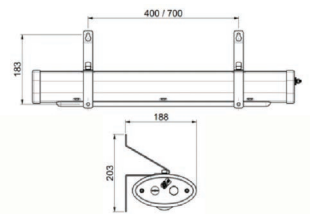
Wall Mount Bracket 30°



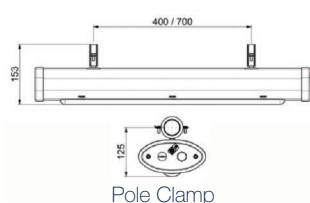
Wall Mount Bracket 45°



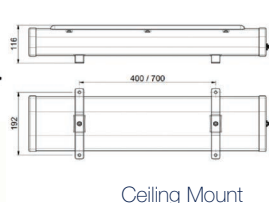
Wall Mount Bracket 60°



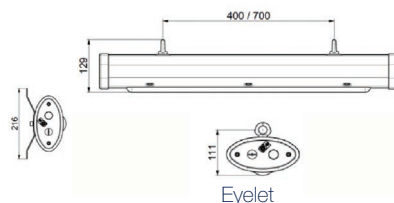
Wall Mount Bracket 90°



Pole Clamp



Ceiling Mount

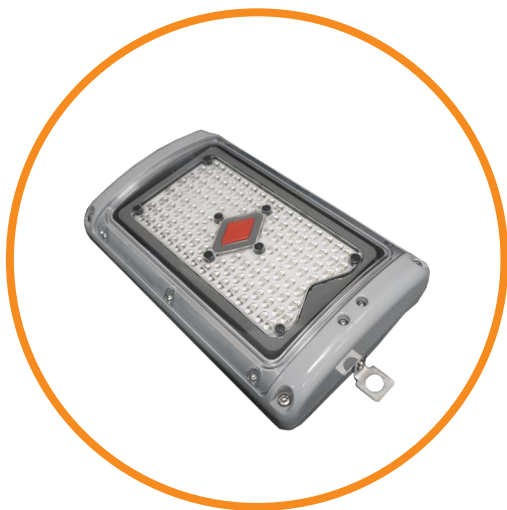


Eyelet

**DISCLAIMER.** All product information provided is, to the best of Dialight's knowledge, accurate as of the date of publication. When ordering, refer to [www.dialight.com](http://www.dialight.com) for current versions of: (a) relevant product documentation (including the relevant product data sheets); (b) Dialight terms and conditions of sale; and, (c) the relevant product warranty. To the extent that any contract is deemed formed between Dialight and the purchaser of Dialight products and/or an end-user, versions of documents available at [www.dialight.com](http://www.dialight.com) as at the date of sale shall be the versions incorporated therein. In the event of any discrepancy between this document or information provided at [www.dialight.com](http://www.dialight.com), the latter shall prevail.

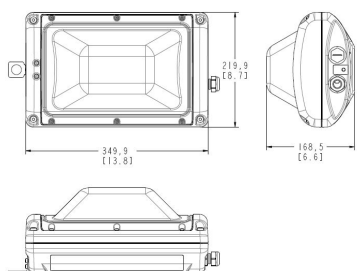
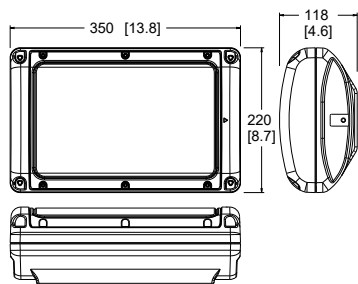
# SafeSite® LED Bulkhead

## 100-277 VAC Model



### Certifications & Ratings

- 10 year warranty
- ATEX / IECEx Zone 1, 21
  - Ex eb mb IIC T4 Gb
  - EX tb IIIC T130°C Db
- ATEX / IECEx Zone 2, 22
  - Ex ec IIC T4 Gc
  - Ex tc IIIC T130°C Dc
- IECEx CSA 21.0047X
  - -20°C to +55°C for T5 and 95°C
  - -40°C to +65°C for T4 and 130°C
- IP66/67
- DNV
- IK10
- L70 > 150,000 hours @ 65°C (149°F)



Dimensions in mm (inches)

### Mechanical Information:

<b>Fixture weights:</b>	
Standard models:	6.8 kg (15.0 lb)
Battery backup models:	7.7 kg (17 lb)
<b>Shipping weights:</b>	
Standard models:	7.3 kg (16.1 lb)
Battery backup models:	8.4 kg (18.5 lb)
<b>Cable entry:</b>	(2) M20 - optional (4) M20

### Materials:

<b>Housing:</b>	A360 Die-cast aluminium
<b>Finish:</b>	Superior dual coat finish - Sealed polyester topcoat - Epoxy primer
<b>Lens:</b>	Polycarbonate clear Polycarbonate diffused (optional) Polycarbonate domed diffused
<b>Hardware:</b>	316 Stainless Steel

### Electrical Specifications:

<b>Operating voltage:</b>	
Standard models:	100-277 VAC / 120-250 VDC
Battery backup models:	110/120 VAC, 230/240 VAC
<b>Operating temperature:</b>	
Standard models:	-40°C to +65°C (-40°F to +149°F)
Battery backup models:	-20°C to +55°C (-4°F to +131°F)
<b>Surge protection:</b>	6kV/3kA, 1.2/50, 8/20us Combination Wave Line-line and line-ground
<b>THD:</b>	< 18%
<b>Power factor:</b>	> 0.9
<b>Dimming:</b>	DALI 1.0 and 2.0 0-10 VDC continuous dimming to <10%

### Battery Backup Models: (integral battery)

<b>Battery duration* (circular optic, clear lens):</b>	
6.5k lumen outputs:	180 mins ~ 900 lm 90 mins ~ 1100 lm 60 mins ~ 1140 lm
3k lumen outputs:	180 mins ~ 800 lm 90 mins ~ 1100 lm 60 mins ~ 1140 lm

**Expected battery life:** 4 years

### Photometric Information:

<b>Lumen output*:</b>	3,000 & 6,500 lm (white light)
<b>CRI:</b>	> 80 (white light)
<b>CCT:</b>	5000K (cool white) 4000K (neutral white) 2700K (warm white) Amber Green

All values typical unless otherwise stated (tolerance +/- 10%)  
\* @ 25°C ambient

**WARNING - INSTALLATION & SECONDARY RETENTION.** Use of any Dialight products without proper installation (including secondary retention / netting) and periodic inspections could cause severe injury or death. Dialight recommends that all installations should use secondary retention / netting (appropriate to the installation environment) where applicable. It is the exclusive responsibility of the contractor, installer and/or end-user to: (a) determine the suitability of the product for its intended application; and, (b) ensure that the product is safely installed (with secondary retention / netting where appropriate) and in compliance with all applicable laws and regulations. To the extent permissible under applicable laws, Dialight disclaims all liability for personal injury and/or other damage resulting from any dislodgment or other dislocation of its products.



# Ordering Information

## SafeSite® LED Bulkhead



Part Number	Fixture Lumens	Wattage	lm/W	Voltage	CCT	Lens	Beam Distribution
<b>Standard Models with Flush Bracket - Zone 1, 21</b>							
BHA-4BC2-3NFN-VGN	3,300	22	153	100-277VAC / 120-250VDC	5000K (cool white)	Clear Polycarbonate	Circular
BHA-4BC2-6NFN-VGN	6,200	45	138	100-277VAC / 120-250VDC	5000K (cool white)	Clear Polycarbonate	Circular
BHA-4UC2-3NFN-VGN	3,100	22	144	100-277VAC / 120-250VDC	5000K (cool white)	Clear Polycarbonate	Ultra-Wide (Type 1)
BHA-4UC2-6NFN-VGN	6,200	45	138	100-277VAC / 120-250VDC	5000K (cool white)	Clear Polycarbonate	Ultra-Wide (Type 1)
<b>BHA-4BN2-3NFN-VGN</b>	3,300	22	153	100-277VAC / 120-250VDC	4000K (neutral white)	Clear Polycarbonate	Circular
<b>BHA-4BN2-6NFN-VGN</b>	6,200	45	138	100-277VAC / 120-250VDC	4000K (neutral white)	Clear Polycarbonate	Circular
BHA-4UN2-3NFN-VGN	3,100	22	144	100-277VAC / 120-250VDC	4000K (neutral white)	Clear Polycarbonate	Ultra-Wide (Type 1)
BHA-4UN2-6NFN-VGN	6,200	45	138	100-277VAC / 120-250VDC	4000K (neutral white)	Clear Polycarbonate	Ultra-Wide (Type 1)
BHA-4BA2-5NFN-VGN	4,200	46	91	100-277VAC / 120-250VDC	Amber	Clear Polycarbonate	Circular
<b>Battery Backup Models with Flush Bracket - Zone 1, 21</b>							
BHA-4BCG-3NFN-VGF	3,300	25	132	230-240VAC	5000K (cool white)	Clear Polycarbonate	Circular
BHA-4BCG-6NFN-VGF	6,200	48	129	230-240VAC	5000K (cool white)	Clear Polycarbonate	Circular
BHA-4UCG-3NFN-VGF	3,100	25	124	230-240VAC	5000K (cool white)	Clear Polycarbonate	Ultra-Wide (Type 1)
BHA-4UCG-6NFN-VGF	6,200	48	129	230-240VAC	5000K (cool white)	Clear Polycarbonate	Ultra-Wide (Type 1)
<b>BHA-4BNG-3NFN-VGF</b>	3,300	25	132	230-240VAC	4000K (neutral white)	Clear Polycarbonate	Circular
<b>BHA-4BNG-6NFN-VGF</b>	6,200	48	129	230-240VAC	4000K (neutral white)	Clear Polycarbonate	Circular
BHA-4UNG-3NFN-VGF	3,100	25	124	230-240VAC	4000K (neutral white)	Clear Polycarbonate	Ultra-Wide (Type 1)
BHA-4UNG-6NFN-VGF	6,200	48	129	230-240VAC	4000K (neutral white)	Clear Polycarbonate	Ultra-Wide (Type 1)
BHA-4BAG-5NFN-VGF	4,200	49	86	230-240VAC	Amber	Clear Polycarbonate	Circular
<b>BHA-6BGG-3NFN-VGG</b>	2,600	33	79	230-240VAC	Green	Domed Diffused	Circular

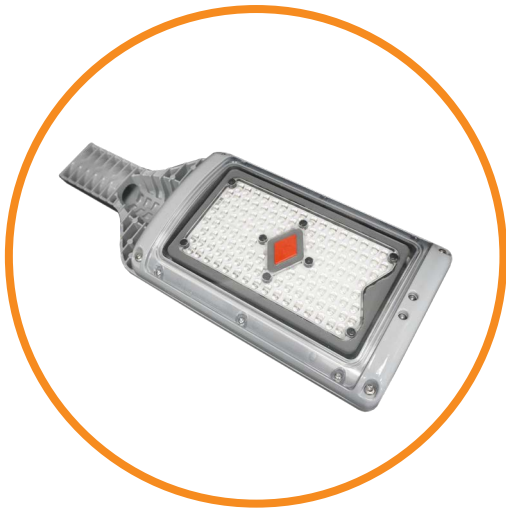
<b>Standard Models with Flush Bracket - Zone 2, 22 or Zone 21</b>							
BHB-4BC2-3NFN-VGN	3,200	22	149	100-277VAC / 120-250VDC	5000K (cool white)	Clear Polycarbonate	Circular
BHB-4BC2-6NFN-VGN	6,700	45	149	100-277VAC / 120-250VDC	5000K (cool white)	Clear Polycarbonate	Circular
BHB-4UC2-3NFN-VGN	3,100	22	144	100-277VAC / 120-250VDC	5000K (cool white)	Clear Polycarbonate	Ultra-Wide (Type 1)
BHB-4UC2-6NFN-VGN	6,400	45	142	100-277VAC / 120-250VDC	5000K (cool white)	Clear Polycarbonate	Ultra-Wide (Type 1)
<b>BHB-4BN2-3NFN-VGN</b>	3,200	22	149	100-277VAC / 120-250VDC	4000K (neutral white)	Clear Polycarbonate	Circular
<b>BHB-4BN2-6NFN-VGN</b>	6,700	45	149	100-277VAC / 120-250VDC	4000K (neutral white)	Clear Polycarbonate	Circular
BHB-4UN2-3NFN-VGN	3,100	22	144	100-277VAC / 120-250VDC	4000K (neutral white)	Clear Polycarbonate	Ultra-Wide (Type 1)
<b>BHB-4UN2-6NFN-VGN</b>	6,400	45	142	100-277VAC / 120-250VDC	4000K (neutral white)	Clear Polycarbonate	Ultra-Wide (Type 1)
<b>BHB-4BA2-5NFN-VGN</b>	4,200	46	91	100-277VAC / 120-250VDC	Amber	Clear Polycarbonate	Circular
BHB-6BG2-3NFN-VGN	2,600	30	87	100-277VAC / 120-250VDC	Green	Domed Diffused	Circular
<b>Battery Backup Models with Flush Bracket - Zone 2, 22 or Zone 21</b>							
BHB-4BCG-3NFN-VGF	3,200	25	128	230-240VAC	5000K (cool white)	Clear Polycarbonate	Circular
BHB-4BCG-6NFN-VGF	6,700	48	140	230-240VAC	5000K (cool white)	Clear Polycarbonate	Circular
BHB-4UCG-3NFN-VGF	3,100	25	124	230-240VAC	5000K (cool white)	Clear Polycarbonate	Ultra-Wide (Type 1)
BHB-4UCG-6NFN-VGF	6,400	48	133	230-240VAC	5000K (cool white)	Clear Polycarbonate	Ultra-Wide (Type 1)
<b>BHB-4BNG-3NFN-VGF</b>	3,200	25	128	230-240VAC	4000K (neutral white)	Clear Polycarbonate	Circular
<b>BHB-4BNG-6NFN-VGF</b>	6,700	48	140	230-240VAC	4000K (neutral white)	Clear Polycarbonate	Circular
BHB-4UNG-3NFN-VGF	3,100	25	124	230-240VAC	4000K (neutral white)	Clear Polycarbonate	Ultra-Wide (Type 1)
<b>BHB-4UNG-6NFN-VGF</b>	6,400	48	133	230-240VAC	4000K (neutral white)	Clear Polycarbonate	Ultra-Wide (Type 1)
BHB-4BAG-5NFN-VGF	4,200	49	86	230-240VAC	Amber	Clear Polycarbonate	Circular
BHB-6BGG-3NFN-VGG	2,600	33	79	230-240VAC	Green	Domed Diffused	Circular

All values typical unless otherwise stated (tolerance +/- 10%).  
 Part numbers listed in **bold** are typically available in stock.  
 2700k models available on request

**DISCLAIMER.** All product information provided is, to the best of Dialight's knowledge, accurate as of the date of publication. When ordering, refer to [www.dialight.com](http://www.dialight.com) for current versions of: (a) relevant product documentation (including the relevant product data sheets); (b) Dialight terms and conditions of sale; and, (c) the relevant product warranty. To the extent that any contract is deemed formed between Dialight and the purchaser of Dialight products and/or an end-user, versions of documents available at [www.dialight.com](http://www.dialight.com) as at the date of sale shall be the versions incorporated therein. In the event of any discrepancy between this document or information provided at [www.dialight.com](http://www.dialight.com), the latter shall prevail.

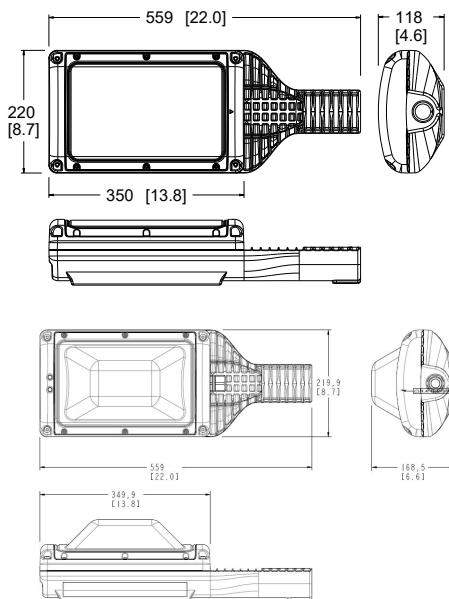
# SafeSite® LED Bulkhead / Conveyor Light

## Pole Mount Model



### Certifications & Ratings

- 10 year warranty
- ATEX / IECEx Zone 1, 21
  - Ex eb mb IIC T4 Gb
  - EX tb IIIC T130°C Db
- ATEX / IECEx Zone 2, 22
  - Ex ec IIC T4 Gc
  - Ex tc IIIC T130°C Dc
- IECEx CSA 21.0047X
  - -20°C to +55°C for T5 and 95°C
  - -40°C to +65°C for T4 and 130°C
- IP66/67
- DNV
- IK10
- L70 > 150,000 hours @ 65°C (149°F)



Dimensions in mm (inches)

### Mechanical Information:

<b>Fixture weights:</b>	
Standard models:	7.9 kg (17.4 lb)
Battery backup models:	8.8 kg (19.4 lb)
<b>Shipping weights:</b>	
Standard models:	8.4 kg (18.5 lb)
Battery backup models:	9.3 kg (20.5 lb)
<b>Cable entry:</b>	(1) M25
<b>Spigot entry size:</b>	35mm ID Optional 44mm ID

### Materials:

<b>Housing:</b>	A360 Die-cast aluminium
<b>Finish:</b>	Superior dual coat finish - Sealed polyester topcoat - Epoxy primer
<b>Lens:</b>	Polycarbonate clear Polycarbonate diffused (optional) Polycarbonate domed diffused
<b>Hardware:</b>	316 Stainless Steel

### Electrical Specifications:

<b>Operating voltage:</b>	
Standard models:	100-277 VAC / 120-250 VDC
Battery backup models:	110/120 VAC, 230/240 VAC
<b>Operating temperature:</b>	
Standard models:	-40°C to +65°C (-40°F to +149°F)
Battery backup models:	-20°C to +55°C (-4°F to +131°F)
<b>Surge protection:</b>	6kV/3kA, 1.2/50, 8/20us Combination Wave Line-line and line-ground
<b>THD:</b>	< 18%
<b>Power factor:</b>	> 0.9
<b>Dimming:</b>	DALI 1.0 and 2.0 0-10 VDC continuous dimming to <10%

### Battery Backup Models: (integral battery)

<b>Battery duration* (circular optic, clear lens):</b>	
6.5k lumen outputs:	180 mins ~ 900 lm 90 mins ~ 1100 lm 60 mins ~ 1140 lm
3k lumen outputs:	180 mins ~ 800 lm 90 mins ~ 1100 lm 60 mins ~ 1140 lm

**Expected battery life:** 4 years

### Photometric Information:

<b>Lumen output*:</b>	3,000 & 6,500 lm (white light)
<b>CRI:</b>	> 80 (white light)
<b>CCT:</b>	5000K (cool white) 4000K (neutral white) 2700K (warm white) Amber Green

All values typical unless otherwise stated (tolerance +/- 10%)  
\* @ 25°C ambient

**WARNING - INSTALLATION & SECONDARY RETENTION.** Use of any Dialight products without proper installation (including secondary retention / netting) and periodic inspections could cause severe injury or death. Dialight recommends that all installations should use secondary retention / netting (appropriate to the installation environment) where applicable. It is the exclusive responsibility of the contractor, installer and/or end-user to: (a) determine the suitability of the product for its intended application; and, (b) ensure that the product is safely installed (with secondary retention / netting where appropriate) and in compliance with all applicable laws and regulations. To the extent permissible under applicable laws, Dialight disclaims all liability for personal injury and/or other damage resulting from any dislodgment or other dislocation of its products.

# Ordering Information

## SafeSite® LED Bulkhead / Conveyor Light - Pole Mount



Part Number	Fixture Lumens	Wattage	lm/W	Voltage	CCT	Lens	Beam Distribution
<b>Pole Mount Models - Zone 1, 21</b>							
BPA-4BC2-3NNN-VGN	3,300	22	153	100-277VAC / 120-250VDC	5000K (cool white)	Clear Polycarbonate	Circular
BPA-4BC2-6NNN-VGN	6,200	45	138	100-277VAC / 120-250VDC	5000K (cool white)	Clear Polycarbonate	Circular
BPA-4UC2-3NNN-VGN	3,100	22	144	100-277VAC / 120-250VDC	5000K (cool white)	Clear Polycarbonate	Ultra-Wide (Type 1)
BPA-4UC2-6NNN-VGN	6,200	45	138	100-277VAC / 120-250VDC	5000K (cool white)	Clear Polycarbonate	Ultra-Wide (Type 1)
BPA-4BN2-3NNN-VGN	3,300	22	153	100-277VAC / 120-250VDC	4000K (neutral white)	Clear Polycarbonate	Circular
BPA-4BN2-6NNN-VGN	6,200	45	138	100-277VAC / 120-250VDC	4000K (neutral white)	Clear Polycarbonate	Circular
BPA-4UN2-3NNN-VGN	3,100	22	144	100-277VAC / 120-250VDC	4000K (neutral white)	Clear Polycarbonate	Ultra-Wide (Type 1)
<b>BPA-4UN2-6NNN-VGN</b>	6,200	45	138	100-277VAC / 120-250VDC	4000K (neutral white)	Clear Polycarbonate	Ultra-Wide (Type 1)
BPA-4BA2-5NNN-VGN	4,200	46	91	100-277VAC / 120-250VDC	Amber	Clear Polycarbonate	Circular
BPA-4UA2-5NNN-VGN	4,000	46	87	100-277VAC / 120-250VDC	Amber	Clear Polycarbonate	Ultra-Wide (Type 1)
BZA-4UN2-6NNN-VGN	6,200	45	138	100-277VAC / 120-250VDC	4000K (neutral white)	Clear Polycarbonate	Ultra-Wide (Type 1)
<b>Pole Mount Battery Backup Models - Zone 1, 21</b>							
BPA-4BCG-3NNN-VGF	3,300	25	132	230-240VAC	5000K (cool white)	Clear Polycarbonate	Circular
BPA-4BCG-6NNN-VGF	6,200	48	129	230-240VAC	5000K (cool white)	Clear Polycarbonate	Circular
BPA-4UCG-3NNN-VGF	3,100	25	124	230-240VAC	5000K (cool white)	Clear Polycarbonate	Ultra-Wide (Type 1)
BPA-4UCG-6NNN-VGF	6,200	48	129	230-240VAC	5000K (cool white)	Clear Polycarbonate	Ultra-Wide (Type 1)
BPA-4BNG-3NNN-VGF	3,300	25	132	230-240VAC	4000K (neutral white)	Clear Polycarbonate	Circular
BPA-4BNG-6NNN-VGF	6,200	48	129	230-240VAC	4000K (neutral white)	Clear Polycarbonate	Circular
BPA-4UNG-3NNN-VGF	3,100	25	124	230-240VAC	4000K (neutral white)	Clear Polycarbonate	Ultra-Wide (Type 1)
<b>BPA-4UNG-6NNN-VGF</b>	6,200	48	129	230-240VAC	4000K (neutral white)	Clear Polycarbonate	Ultra-Wide (Type 1)
BPA-4BAG-5NNN-VGF	4,200	49	86	230-240VAC	Amber	Clear Polycarbonate	Circular
BPA-4UAG-5NNN-VGF	4,000	49	82	230-240VAC	Amber	Clear Polycarbonate	Ultra-Wide (Type 1)
<b>BPA-6BGG-3NNN-VGG</b>	2,600	33	79	230-240VAC	Green	Domed Diffused	Circular
BZA-4UNG-6NNN-VGF	6,200	48	129	230-240VAC	4000K (neutral white)	Clear Polycarbonate	Ultra-Wide (Type 1)

<b>Pole Mount Models - Zone 2, 22 or Zone 21</b>							
BPB-4BC2-3NNN-VGN	3,200	22	149	100-277VAC / 120-250VDC	5000K (cool white)	Clear Polycarbonate	Circular
BPB-4BC2-6NNN-VGN	6,700	45	149	100-277VAC / 120-250VDC	5000K (cool white)	Clear Polycarbonate	Circular
BPB-4UC2-3NNN-VGN	3,100	22	144	100-277VAC / 120-250VDC	5000K (cool white)	Clear Polycarbonate	Ultra-Wide (Type 1)
BPB-4UC2-6NNN-VGN	6,400	45	142	100-277VAC / 120-250VDC	5000K (cool white)	Clear Polycarbonate	Ultra-Wide (Type 1)
BPB-4BN2-3NNN-VGN	3,200	22	149	100-277VAC / 120-250VDC	4000K (neutral white)	Clear Polycarbonate	Circular
BPB-4BN2-6NNN-VGN	6,700	45	149	100-277VAC / 120-250VDC	4000K (neutral white)	Clear Polycarbonate	Circular
BPB-4UN2-3NNN-VGN	3,100	22	144	100-277VAC / 120-250VDC	4000K (neutral white)	Clear Polycarbonate	Ultra-Wide (Type 1)
<b>BPB-4UN2-6NNN-VGN</b>	6,400	45	142	100-277VAC / 120-250VDC	4000K (neutral white)	Clear Polycarbonate	Ultra-Wide (Type 1)
BPB-4BA2-5NNN-VGN	4,200	46	91	100-277VAC / 120-250VDC	Amber	Clear Polycarbonate	Circular
<b>BPB-4BA2-5NNN-VGF</b>	4,200	46	91	100-277VAC / 120-250VDC	Amber	Clear Polycarbonate	Circular
<b>BPB-4UA2-5NNN-VGN</b>	3,900	46	85	100-277VAC / 120-250VDC	Amber	Clear Polycarbonate	Ultra-Wide (Type 1)
<b>Pole Mount Battery Backup Models - Zone 2, 22 or Zone 21</b>							
BPB-4BCG-3NNN-VGF	3,200	25	128	230-240VAC	5000K (cool white)	Clear Polycarbonate	Circular
BPB-4BCG-6NNN-VGF	6,700	48	140	230-240VAC	5000K (cool white)	Clear Polycarbonate	Circular
BPB-4UCG-3NNN-VGF	3,100	25	124	230-240VAC	5000K (cool white)	Clear Polycarbonate	Ultra-Wide (Type 1)
BPB-4UCG-6NNN-VGF	6,400	48	133	230-240VAC	5000K (cool white)	Clear Polycarbonate	Ultra-Wide (Type 1)
BPB-4BNG-3NNN-VGF	3,200	25	128	230-240VAC	4000K (neutral white)	Clear Polycarbonate	Circular
BPB-4BNG-6NNN-VGF	6,700	48	140	230-240VAC	4000K (neutral white)	Clear Polycarbonate	Circular
BPB-4UNG-3NNN-VGF	3,100	25	124	230-240VAC	4000K (neutral white)	Clear Polycarbonate	Ultra-Wide (Type 1)
<b>BPB-4UNG-6NNN-VGF</b>	6,400	48	133	230-240VAC	4000K (neutral white)	Clear Polycarbonate	Ultra-Wide (Type 1)
BPB-4BAG-5NNN-VGF	4,200	49	86	230-240VAC	Amber	Clear Polycarbonate	Circular
BPB-4UAG-5NNN-VGF	3,900	49	80	230-240VAC	Amber	Clear Polycarbonate	Ultra-Wide (Type 1)
BPB-6BGG-3NNN-VGG	2,600	33	79	230-240VAC	Green	Domed Diffused	Circular

All values typical unless otherwise stated (tolerance +/- 10%).  
 Part numbers listed in **bold** are typically available in stock.  
 2700k models available on request, 44mm spigot entry option available

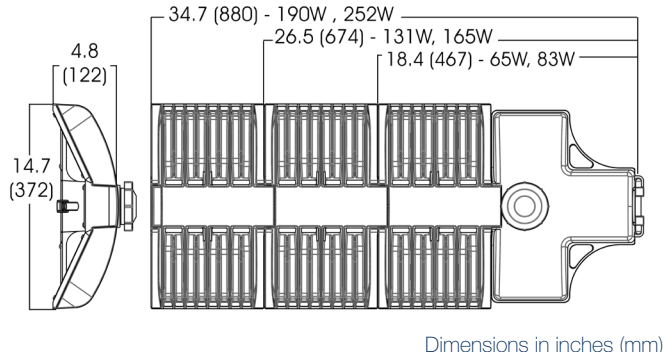
# StreetSense® LED Street Light - CE/UL

## Technical Specifications



### Certifications & Ratings

- UL1598
- CE
- CSA C22.2 No. 250.0-08



### Mechanical Information:

#### Fixture weight:

62W, 78W:	16lbs (7.26kg)
125W, 156W:	25lbs (11.34kg)
182W, 228W:	34lbs (15.42kg)

#### Shipping weight:

62W, 78W:	21lbs (12kg)
125W, 156W:	30lbs (16kg)
182W, 228W:	39lbs (20kg)

#### Mounting:

Accommodates 1.7" [43mm] ~ 2.3" [58mm] max OD pipe. Provision for adjustment of +/- 5° at 2.5° increments

#### EPA (Sq. ft):

62W, 78W:	0.60
125W, 156W:	0.87
182W, 228W:	1.13

### Electrical Specifications:

#### Operating Voltage:

100 - 277 VAC, 50/60 Hz  
347 - 480 VAC, 50/60 Hz

#### Total system power consumption:

See table

#### Operating Temp:

40°F to 165°F (-40°C to 74°C) ambient

#### Terminal Block:

#14 AWG (1.6mm) to #6 AWG (4.1mm) wire and accessible via hinged tool less entry

#### Noise requirement /EMC:

FCC Title 47, Subpart B, Section 15, class A device. RF Immunity; 10V/m, 80MHz-1GHz

#### Transient protection:

Open circuit surge protection 10kV standard per ANSI/IEEE C62.41. 2.2002 cat C high

#### THD:

<20%

#### Power Factor:

> 0.9

### Construction:

#### Housing:

Copper free aluminum

#### Finish:

Superior dual coat finish  
- Sealed polyester topcoat  
- Chemical-resistant epoxy primer

#### Lens:

Optically optimized, tempered glass

#### Photo controller socket:

Standard NEMA three prong twist lock, socket with shorting cap, as per ANSI C136.10

### Photometric Information:

#### CRI:

>70

#### CCT:

5000K (cool white)  
4300K (neutral white)

#### Optics:

IES Type III

All values typical unless otherwise stated (tolerance +/- 10%)

**WARNING - INSTALLATION & SECONDARY RETENTION.** Use of any Dialight products without proper installation (including secondary retention / netting) and periodic inspections could cause severe injury or death. Dialight recommends that all installations should use secondary retention / netting (appropriate to the installation environment) where applicable. It is the exclusive responsibility of the contractor, installer and/or end-user to: (a) determine the suitability of the product for its intended application; and, (b) ensure that the product is safely installed (with secondary retention / netting where appropriate) and in compliance with all applicable laws and regulations. To the extent permissible under applicable laws, Dialight disclaims all liability for personal injury and/or other damage resulting from any dislodgment or other dislocation of its products.

# StreetSense® LED Street Light - CE/UL

## Australia & Asia Order Codes

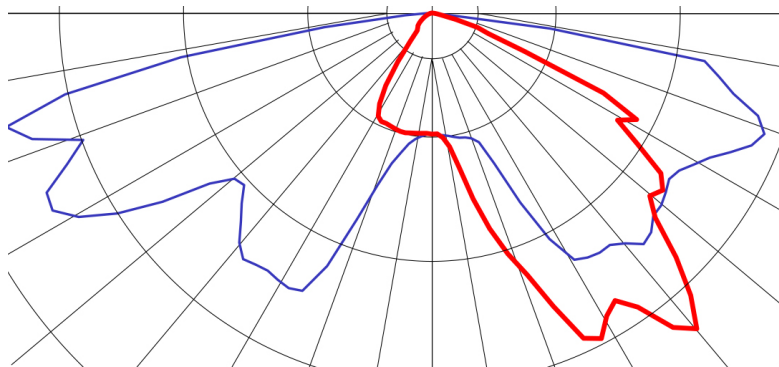
Part Number	Fixture Lumens	Wattage	lm/W	Voltage	Colour Temperature (CCT)	Lens	Light Engines
<b>Standard Models - Type III</b>							
<b>SL3N5CLGGEU</b>	5,500	65	85	100-277 VAC	4300K (neutral white)	Tempered glass	1
SL3N5DLGGEU	6,750	83	81	100-277 VAC	4300K (neutral white)	Tempered glass	1
<b>SL3N5HLGGEU</b>	10,900	131	83	100-277 VAC	4300K (neutral white)	Tempered glass	2
SL3N5ILGGEU	13,250	165	80	100-277 VAC	4300K (neutral white)	Tempered glass	2
<b>SL3N5RLGGEU</b>	16,000	190	84	100-277 VAC	4300K (neutral white)	Tempered glass	3
<b>SL3N5SLGGEU</b>	20,250	252	80	100-277 VAC	4300K (neutral white)	Tempered glass	3

All values typical unless otherwise stated (tolerance +/- 10%).

Part numbers listed in **bold** are typically available in stock.

Part numbers listed in the table above are neutral white. For cool white models, replace the 4th character with a **C**.

### Type III



#### SL-PC01R

- 105 - 305V AC Photocontroller

#### SL-PC02R

- 312 - 382V AC Photocontroller

#### SL-PC03R

- 432 - 528V AC Photocontroller

**DISCLAIMER.** All product information provided is, to the best of Dialight's knowledge, accurate as of the date of publication. When ordering, refer to [www.dialight.com](http://www.dialight.com) for current versions of: (a) relevant product documentation (including the relevant product data sheets); (b) Dialight terms and conditions of sale; and, (c) the relevant product warranty. To the extent that any contract is deemed formed between Dialight and the purchaser of Dialight products and/or an end-user, versions of documents available at [www.dialight.com](http://www.dialight.com) as at the date of sale shall be the versions incorporated therein. In the event of any discrepancy between this document or information provided at [www.dialight.com](http://www.dialight.com), the latter shall prevail.

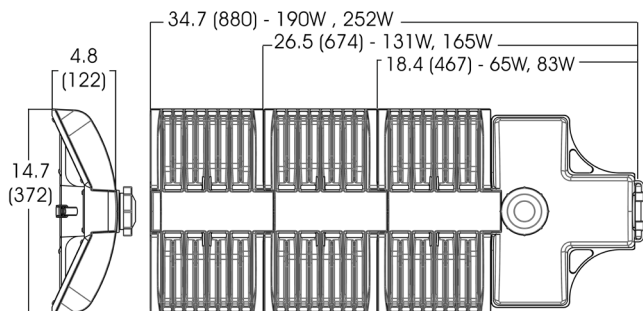
# StreetSense® LED Street Light - IECEx/ATEX

## Technical Specifications



### Certifications & Ratings

- 7 year warranty
- ATEX / IECEx Zone 2
- CE
- IP65 (a cable gland with a minimum ingress protection rating of IP54 is required to maintain certification)



Dimensions in inches (mm)

### Mechanical Information:

#### Fixture weight:

1 light engine:	16lbs (7.26kg)
2 light engines:	25lbs (11.34kg)
3 light engines:	34lbs (15.42kg)

#### Shipping weight:

1 light engine:	21lbs (12kg)
2 light engines:	30lbs (16kg)
3 light engines:	39lbs (20kg)

#### Mounting:

Accommodates 1.7" [43mm] ~ 2.3" [58mm] max OD pipe. Provision for adjustment of +/- 5° at 2.5° increments

#### EPA (Sq. ft):

1 light engine:	0.60
2 light engines:	0.87
3 light engines:	1.13

### Electrical Specifications:

#### Operating Voltage:

Universal inputs  
100 - 277V AC, 50/60 Hz

#### Total system power consumption:

See table

#### Operating Temp:

-40°F to 165°F (-40°C to 74°C) ambient

#### Noise requirement /EMC:

FCC Title 47, Subpart B, Section 15, class A device. RF Immunity; 10V/m, 80MHz-1GHz

#### Transient protection:

Open circuit surge protection 10kV standard per ANSI/IEEE C62.41. 2.2002 cat C high

#### THD:

<15% (100 - 240V AC)  
<20% (277V AC)

#### Power Factor:

> 0.9

### Power Supply:

#### ALT:

(accelerated life testing)

Over 15 yr equivalent at 24/7 service

#### MTBF:

(mean time between failures)

Over 300 years with annual failure rate less than 0.3% expected

#### Driver:

Fully potted and sealed for superior protection

### Construction:

#### Housing:

Die cast aluminum alloy A360  
Polymetric materials UL94 flame retardant materials

#### Finish:

Polyester powder coat for superior corrosion resistance, Gray - RAL 7040

#### Lens:

Optically optimized, 6mm tempered glass

### Photometric Information:

#### CRI:

70

#### CCT:

4300K (neutral white)

#### Optics:

IES Type III

All values typical unless otherwise stated (tolerance +/- 10%)

**WARNING - INSTALLATION & SECONDARY RETENTION.** Use of any Dialight products without proper installation (including secondary retention / netting) and periodic inspections could cause severe injury or death. Dialight recommends that all installations should use secondary retention / netting (appropriate to the installation environment) where applicable. It is the exclusive responsibility of the contractor, installer and/or end-user to: (a) determine the suitability of the product for its intended application; and, (b) ensure that the product is safely installed (with secondary retention / netting where appropriate) and in compliance with all applicable laws and regulations. To the extent permissible under applicable laws, Dialight disclaims all liability for personal injury and/or other damage resulting from any dislodgment or other dislocation of its products.

# StreetSense® LED Street Light - IECEx/ATEX

## Australia & Asia Order Codes

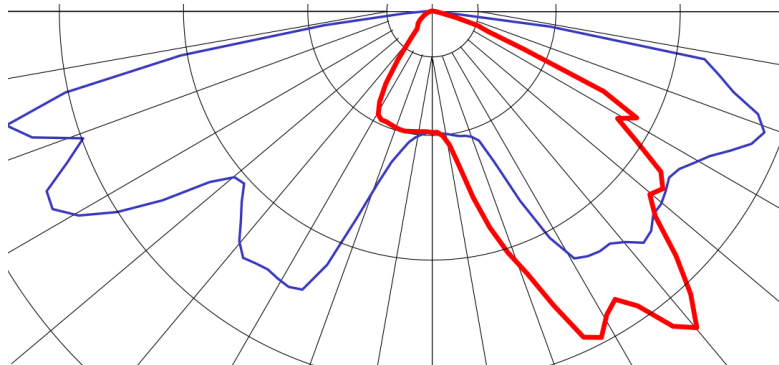
Part Number	Fixture Lumens	Wattage	lm/W	Voltage	Colour Temperature (CCT)	Lens	Light Engines
<b>Standard Models - Type III</b>							
SLA3N4CG	5,500	65	85	100-277 VAC	4300K (neutral white)	Tempered glass	1
SLA3N4HG	10,900	131	83	100-277 VAC	4300K (neutral white)	Tempered glass	2
SLA3N4SG	20,250	252	80	100-277 VAC	4300K (neutral white)	Tempered glass	3

All values typical unless otherwise stated (tolerance +/- 10%).

Part numbers listed in **bold** are typically available in stock.

Part numbers listed in the table above are neutral white. For cool white models, replace the 4th character with a **C**.

### Type III



# Obstruction LED Lighting

ICAO



## Red LED Systems: Medium Intensity ICAO Type B/Type C



### Features & Benefits

- Integrated controller
- 5 year warranty
- Universal 120-240 VAC input
- Controller can be mounted at the base of the structure
- Wide temperature range: -40°C to +55°C
- Configurable flash rates (20, 30, or 40 flashes per min)
- Ability to operate lights in steady or flashing mode
- Optional infrared light fixtures
- Light weight design
- Low power consumption
- IP66 rated light fixtures
- Impact and vibration resistant
- Provision for padlock on the enclosure
- Dry contacts for alarm monitoring/status
  - Photocell alarm
  - Light alarms
  - Operation mode (day/night)
- Largest Controller can control and monitor maximums of:
  - Twelve (12) Medium Intensity ICAO Type B/Type C and
  - Twenty Four (24) Low Intensity ICAO Type B/Type E
- Verified to meet CASA requirements under Manual of Standards Part 139 - Aerodromes



## Dual (Red/White) LED Systems: Medium Intensity ICAO Type A/Type B



### Features & Benefits

- Infrared (IR) version available for improved visibility to Night Vision Goggles
- Optional Ethernet/Cellular based remote monitoring/control system available
- Ability to flash side markers
- Integrated controller with LCD back-lit display
- 5 year warranty
- Universal 120-240 VAC input or +/- 48 VDC input
- Controller can be mounted at the base of the structure
- Wide temperature range: -40°C to +55°C
- Light weight design
- Low power consumption
- IP66 rated light fixtures
- Impact and vibration resistant
- Provisions for padlock on the enclosure
- Dry contacts for alarm monitoring/status
  - Photocell alarm
  - White mode alarm
  - Power fail
  - Light alarms
  - Red mode alarm
  - Communication
  - Operation mode (day/night)
  - Sync alarm



## White LED Systems: Medium Intensity ICAO Type A



### Features & Benefits

- Integrated controller with LCD back-lit display
- Optional Ethernet/Cellular based remote monitoring/control system available
- 5 year warranty
- Universal 120-240 VAC input or 48 VDC input
- Controller can be mounted at the base of the structure
- Wide temperature range: -40°C to +55°C
- Light weight design
- Low power consumption
- IP66 rated light fixtures
- Impact and vibration resistant
- Provisions for padlock on the enclosure
- Dry contacts for alarm monitoring/status
  - Photocell alarm
  - White mode alarm
  - Power fail
  - Light alarms
  - Communication
  - Operation mode (day/night)
  - Sync alarm



## High Intensity LED Systems: ICAO Type A

### Features & Benefits

- Integrated controller
- 5 year warranty
- Universal 208-277 VAC input
- Controller can be mounted at the base of the structure
- Wide temperature range: -40°C to +55°C
- Low power consumption
- IP66 rated light fixtures
- Impact and vibration resistant
- Provision for padlock on the enclosure
- Dry contacts for alarm monitoring/status
  - Photocell alarm
  - White mode alarm
  - Power fail
  - Red mode alarm
  - Communication
  - Operation mode (day/night)
  - Sync alarm

DISCLAIMER. All product information provided is, to the best of Dialight's knowledge, accurate as of the date of publication. When ordering, refer to [www.dialight.com](http://www.dialight.com) for current versions of: (a) relevant product documentation (including the relevant product data sheets); (b) Dialight terms and conditions of sale; and, (c) the relevant product warranty. To the extent that any contract is deemed formed between Dialight and the purchaser of Dialight products and/or an end-user, versions of documents available at [www.dialight.com](http://www.dialight.com) as at the date of sale shall be the versions incorporated therein. In the event of any discrepancy between this document or information provided at [www.dialight.com](http://www.dialight.com), the latter shall prevail.



# Obstruction LED Lighting

## ICAO



### Vigilant LED Based ICAO Type A

#### High Intensity (White / Red) Strobe

<b>Effective Intensity:</b>	White Day – 200,000 cd White Twilight- 20,000 cd White or Red Night- 2,000 cd
<b>Wattage:</b>	White day - 160W White twilight - 30W White Night - 23W Red Night - 30W
<b>Input Voltage:</b>	208-277 VAC



### Vigilant LED Based ICAO Type A/Type B

#### Medium Intensity (White/Red) Strobe - Infrared (IR) available

<b>Effective Intensity:</b>	White Day- 20,000 cd White Night- 2,000 cd Red Night- 2,000 cd
<b>Wattage:</b>	White Day- 36W (system = 75W) White Night- 4W (system = 10W) Red Night- 12W (system = 25W)
<b>Input Voltage:</b>	120-240 VAC or +/- 48 VDC

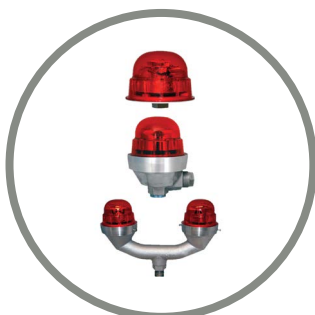


### Vigilant LED Based ICAO Type B/Type C

#### Medium Intensity (Red) Beacon - Infrared (IR) available

Verified to meet CASA requirements under Manual of Standards Part 139 - Aerodromes

<b>Effective Intensity:</b>	2,000 cd
<b>Wattage:</b>	3.3W (16.7% duty circle) - standard 7.0W (16.7% duty circle) - IR model 20 flashes per minute with 0.5 sec. on time
<b>Input Voltage:</b>	120-240 VAC or 24-48 VDC



### Vigilant LED Based ICAO Type B/Type E

#### Low Intensity (Red) RTO Side Light - Infrared (IR) available

<b>Effective Intensity:</b>	32.5 cd
<b>Wattage Range:</b>	1.5-9.0W
<b>Input Voltage:</b>	12-48 VDC, 120-240 VAC, 277 VAC



### Vigilant LED Based ICAO Type B/Type E

#### Low Intensity (Red) Side Light

<b>Effective Intensity:</b>	32.5 cd, 50 cd, 10 cd
<b>Wattage Range:</b>	13-24W
<b>Input Voltage:</b>	12-48 VDC, 120 VAC, 230 VAC

**DISCLAIMER.** All product information provided is, to the best of Dialight's knowledge, accurate as of the date of publication. When ordering, refer to [www.dialight.com](http://www.dialight.com) for current versions of: (a) relevant product documentation (including the relevant product data sheets); (b) Dialight terms and conditions of sale; and, (c) the relevant product warranty. To the extent that any contract is deemed formed between Dialight and the purchaser of Dialight products and/or an end-user, versions of documents available at [www.dialight.com](http://www.dialight.com) as at the date of sale shall be the versions incorporated therein. In the event of any discrepancy between this document or information provided at [www.dialight.com](http://www.dialight.com), the latter shall prevail.



# Notes

---

---

---

---

---

---

---

---

---

---

---

---

---

---

---

---

---

---

---

---

---

---

---

---

---

DISCLAIMER. All product information provided is, to the best of Dialight's knowledge, accurate as of the date of publication. When ordering, refer to [www.dialight.com](http://www.dialight.com) for current versions of: (a) relevant product documentation (including the relevant product data sheets); (b) Dialight terms and conditions of sale; and, (c) the relevant product warranty. To the extent that any contract is deemed formed between Dialight and the purchaser of Dialight products and/or an end-user, versions of documents available at [www.dialight.com](http://www.dialight.com) as at the date of sale shall be the versions incorporated therein. In the event of any discrepancy between this document or information provided at [www.dialight.com](http://www.dialight.com), the latter shall prevail.

## Australia

108 Howe Street  
Osborne Park, WA 6017  
Tel: +61 (0) 8 9244 7600  
Fax: +61 (0) 8 9244 7601  
info@dialight.com.au

## Southeast Asia

56 Kallang Pudding Road  
#09 – 08 HH@Kallang  
Singapore 349328  
Tel: +65 6578 7271  
Fax: +65 6578 7150  
enquiry@dialight.com.sg

## Middle East

Level 23 – Boulevard Plaza Tower 2  
Emaar Boulevard, Dubai, U.A.E.  
P.O. Box 124342  
Tel: +971 (4) 409-6962  
Fax: +971 (4) 409-6850

## Dialight Europe Ltd

Leaf C, Level 36, Tower 42  
25 Old Broad Street  
London, EC2N 1HQ, United Kingdom  
Tel: +44 (0) 203 058 3540  
Customer Service: +44 (0) 163 866 6541  
sales-emea@dialight.com

## North American HQ

1501 Route 34 South  
Farmingdale, NJ 07727  
Tel: 732-919-3119  
Fax: 732-751-5778  
info@dialight.com



### WARNING / DISCLAIMERS:

**Installation & secondary retention.** The use of this product without proper installation (including secondary retention / netting) and periodic inspections, could cause severe injury or death. Dialight recommends that all installations should use secondary retention / netting (appropriate to the installation environment) as applicable. Dialight products are intended for ultimate purchase, installation and operation by knowledgeable persons trained in the functional assessment, installation, use and maintenance of such products and all customers (including but not limited to end customers) are responsible for assessing the suitability of Dialight products for any given installation requirement. It is the exclusive responsibility of the contractor, installer and/or end-user to: (a) determine the suitability of the product for its intended application; and, (b) ensure that the product is safely installed (with secondary retention / netting as appropriate) and in compliance with all applicable laws and regulations.

**Product specifications & warranties.** All product information provided is, to the best of Dialight's knowledge, accurate as of the date of publication. All values and performance data herein are design or typical values when measured under laboratory conditions. The information herein is subject to change without notice. The products / software detailed herein are subject to applicable warranties and terms and conditions of use/purchase. Unless agreed otherwise in writing by an authorized representative of Dialight, Dialight does not represent that its products are fit for any particular purpose and accepts no liability for the installation and/or unauthorised use of its products. When ordering, refer to [www.dialight.com](http://www.dialight.com) for current versions of: (a) relevant product documentation (including relevant product data sheets); (b) Dialight terms and conditions of sale; and, (c) the relevant product warranties. To the extent that any contract is deemed formed between Dialight and the purchaser of Dialight products and/or an end-user, versions of documents available at [www.dialight.com](http://www.dialight.com) as at the date of sale shall be the versions incorporated therein. In the event of any discrepancy between this document and information provided at [www.dialight.com](http://www.dialight.com), the latter shall prevail.

**Exclusion of liability.** To the extent permissible under the relevant law, Dialight disclaims all liability for personal injury and/or other damage resulting from any dislodgment or other dislocation of its products. Whilst Dialight has used its reasonable endeavours to ensure the completeness and accuracy of information herein, Dialight does not assume any liability for damages resulting from use of this information or for any third-party representations made in relation to Dialight products.