

Dialight

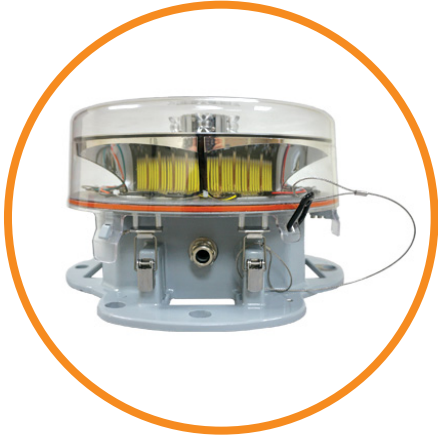


## Dialight® LED Obstruction

Technical Specification Sheet: Medium Intensity Dual Red/White

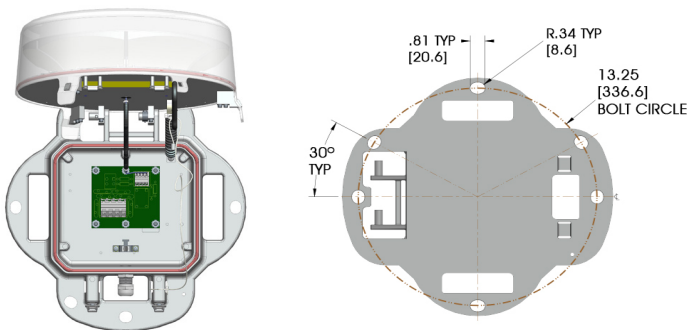
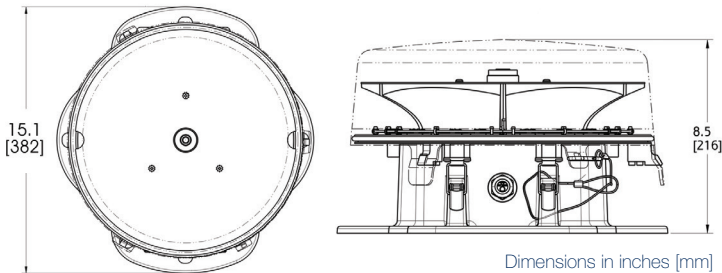
# Vigilant® LED Strobe

## Medium Intensity (White/Red)



### Certifications & Ratings

- 5 year warranty
- FAA AC 150/5345-43J
- FAA AC 70/7460-1M
- FAA Engineering Brief 67D
- ICAO Annex 14
- Transport Canada CAR 621.19
- RCM
- CE



### FAA L-865/L-864 / ICAO Medium Type A, B & C

#### Mechanical Information:

<b>Weight:</b>	21 lbs (9.5 kg)
<b>Mounting Details:</b>	Standard FAA 3 hole & 4 hole pattern
<b>Impact Rating:</b>	IK10
<b>Protection Rating:</b>	IP66
<b>Included Hardware:</b>	1/2" NPT cable gland, mounting kit (bolts, nuts, etc.)
<b>Cable Entry Size:</b>	1/2" NPT
<b>Aerodynamic Wind Area:</b>	0.6 ft <sup>2</sup>

#### Electrical Specifications:

<b>Operating Temperature:</b>	-40°F to +131°F (-40°C to +55°C)
<b>Power Factor:</b>	> 0.9

#### Power Consumption:

<b>Day (White):</b>	36 W (System = 75 W)
<b>Night (White):</b>	4 W (System = 10W)
<b>Night (Red):</b>	12 W (System = 25 W)
<b>Night (Red-IR Model):</b>	15 W (System = 28 W)

<b>Input Current:</b>	120-277 VAC, 50/60 Hz (1.6 A peak) 48 VDC (2.2 A peak)
-----------------------	---

#### Construction:

<b>Housing Material:</b>	Powder coated, copper-free, marine grade aluminum
<b>Lens Hardware:</b>	Polycarbonate, UV stabilized & hard coated
<b>Mounting (Two Sets):</b>	Hot dipped galvanized & stainless steel
<b>Latches:</b>	Stainless steel

#### Photometric Information:

##### Flash Intensity (nominal):

<b>Day (White):</b>	20,000 cd
<b>Night (White):</b>	2,000 cd
<b>Night (Red):</b>	2,000 cd
<b>IR Wavelength:</b>	850nm

##### Flash Rate:

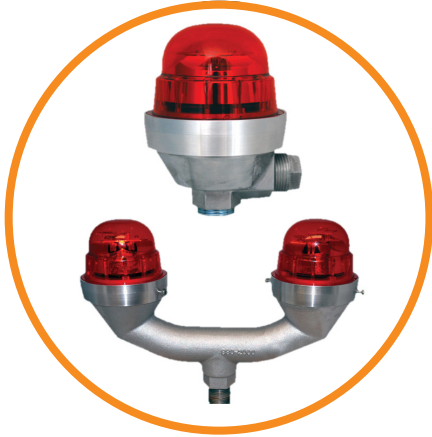
<b>Day (White):</b>	40 flashes per min.
<b>Night (White):</b>	40 flashes per min.
<b>Night (Red):</b>	20/30/40 flashes per min.
<b>IR Pulse Rate:</b>	20/30/40 flashes per min.

<b>Expected Lamp Life</b>	100,000 hours (approx. 10 years)
---------------------------	----------------------------------

All values typical unless otherwise stated (tolerance +/- 10%)

# Vigilant® LED Marker

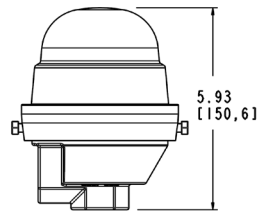
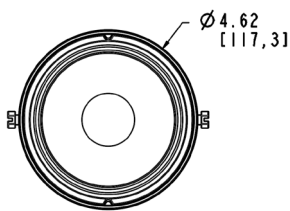
## Low Intensity (Red)



### Certifications & Ratings

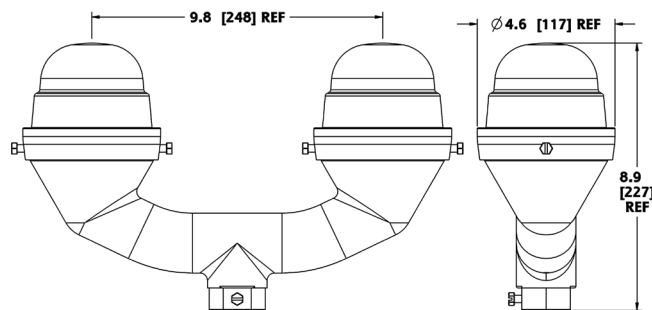
- 5 year warranty
- FAA AC 150/5345-43J
- FAA AC 70/7460-1M
- FAA Engineering Brief 67D
- ICAO Annex 14
- Transport Canada CAR 621.19
- CE

### Single Fixture



Dimensions in inches [mm]

### Dual Fixture



Dimensions in inches [mm]

## FAA L-810 / ICAO Low Type B+E

### Mechanical Information:

<b>Weight:</b>	Single unit - 2.00 lbs (0.91 kg) Dual unit - 4.60 lbs (2.09 kg)
<b>Mounting Details:</b>	NPT 3/4" and 1" NPT
<b>Impact Rating:</b>	IK10
<b>Protection Rating:</b>	IP66
<b>Included Hardware:</b>	1" NPT plug
<b>Cable Entry Size:</b>	NPT 3/4" and 1" NPT
<b>Aerodynamic Wind Area:</b>	0.15 ft <sup>2</sup>

### Electrical Specifications:

<b>Operating Temperature:</b>	-40°F to +131°F (-40°C to +55°C)
<b>Power Factor:</b>	> 0.9

### Power Consumption:

#### Standard

<b>Single &amp; Dual Units -</b>	1.5W nominal (DC version) 6.5W nominal (AC version)
----------------------------------	--

#### IR Models

<b>Single &amp; Dual Units -</b>	5.0 W (DC version) 5.5 W (AC version)
----------------------------------	--

<b>Input Current:</b>	120-240 VAC, 50/60 Hz (55mA nominal) 12-48 VDC (63mA nominal)
-----------------------	--

### Photometric Information:

#### Flash Intensity (nominal):

<b>Night (Red):</b>	32 cd
<b>IR Wavelength:</b>	peak @ 850nm

#### Flash Rate:\*

<b>Night (Red)</b>	20/30/40 flashes per min
<b>IR Pulse Rate</b>	20/30/40 flashes per min

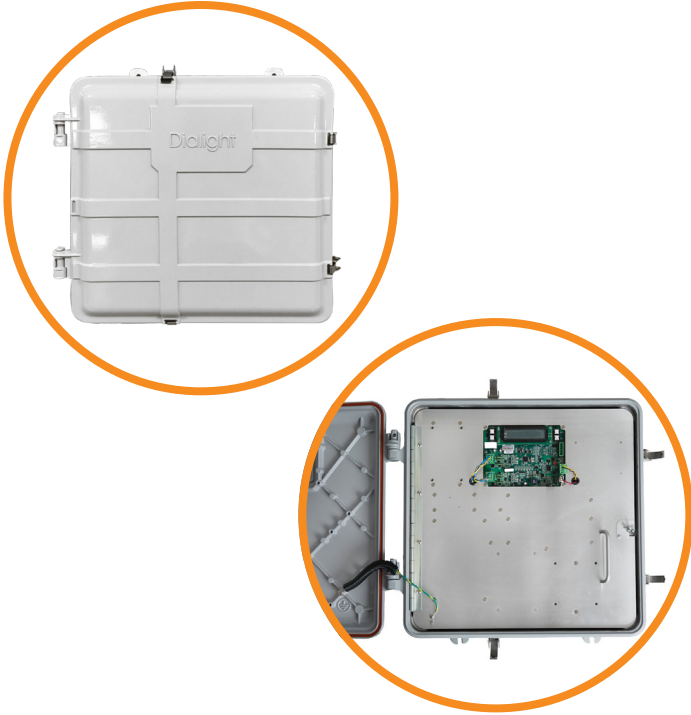
<b>Expected Lamp Life</b>	100,000 hours (approx. 10 years)
---------------------------	----------------------------------

\*Can also operate as steady burn

All values typical unless otherwise stated (tolerance +/- 10%)

# Vigilant® LED Controller

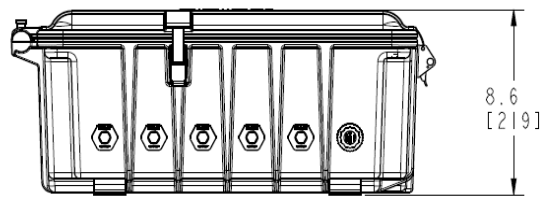
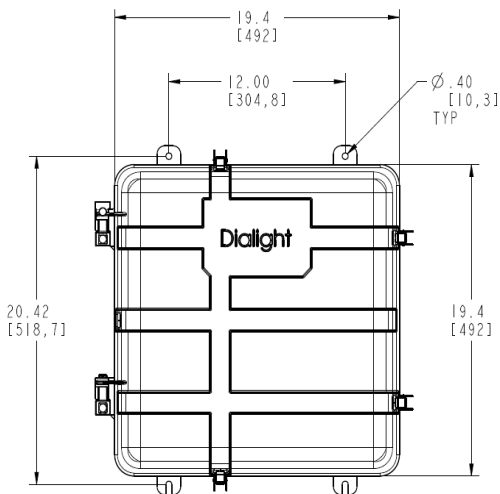
## Medium Intensity (White/Red)



**Controller:**

- Weight:** 49.5 lbs (22.5 kg)
- Operating Temperature:** -40°F to +131°F (-40°C to +55°C)
- Protection Rating:** IP66, NEMA 4X
- Material:** Powder coated, copper-free, marine grade aluminum
- Cable Entry:** Size: 3/4" NPT  
Number of openings: 6
- Included Hardware:** 3/4" NPT cord grips & plugs
- Configurable Options:** Set the Tower Style ex. E2 Flash rates  
Conduct lighting  
Quarterly Light Inspections

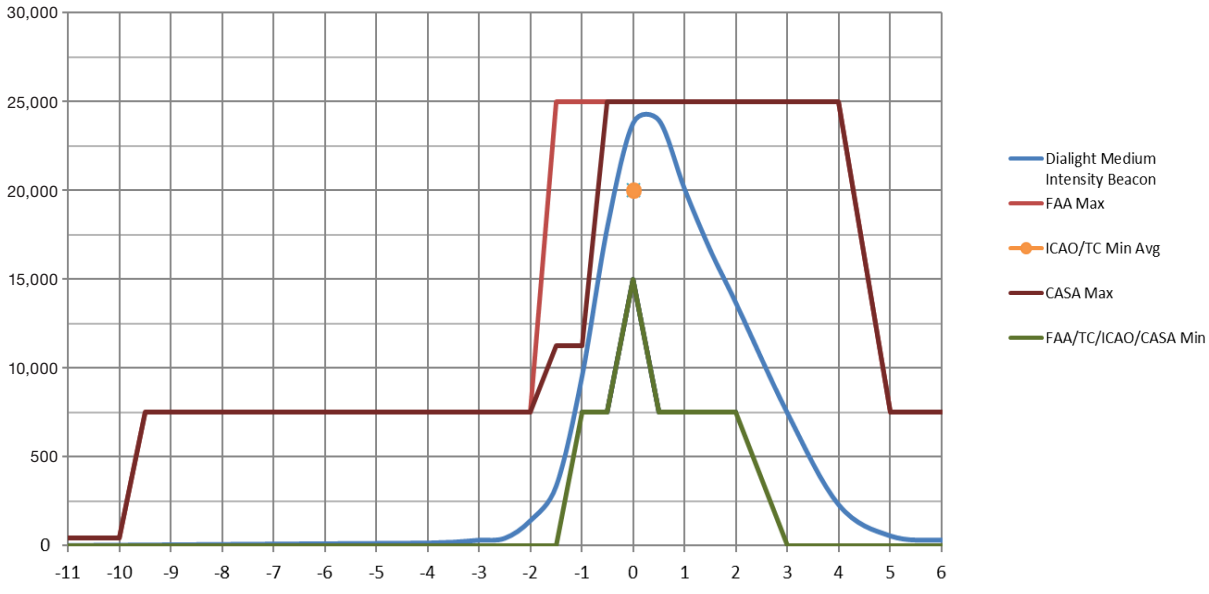
All values typical unless otherwise stated (tolerance +/- 10%)



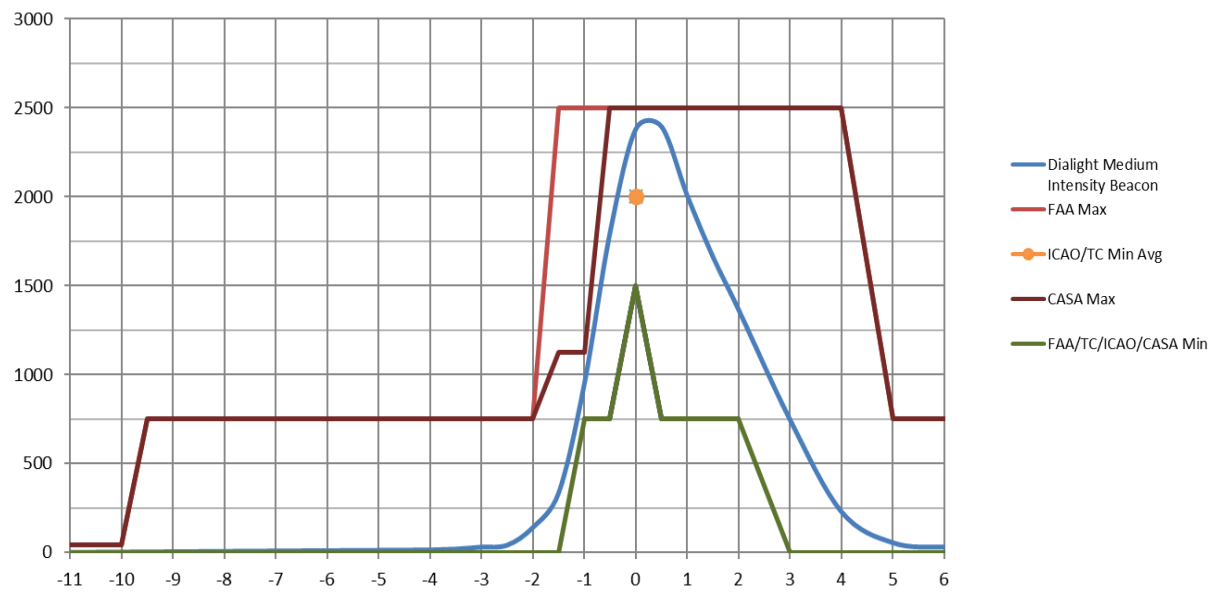
Dimensions in inches [mm]

# Light Output Charts

## Medium Intensity Dual Strobe - White Day

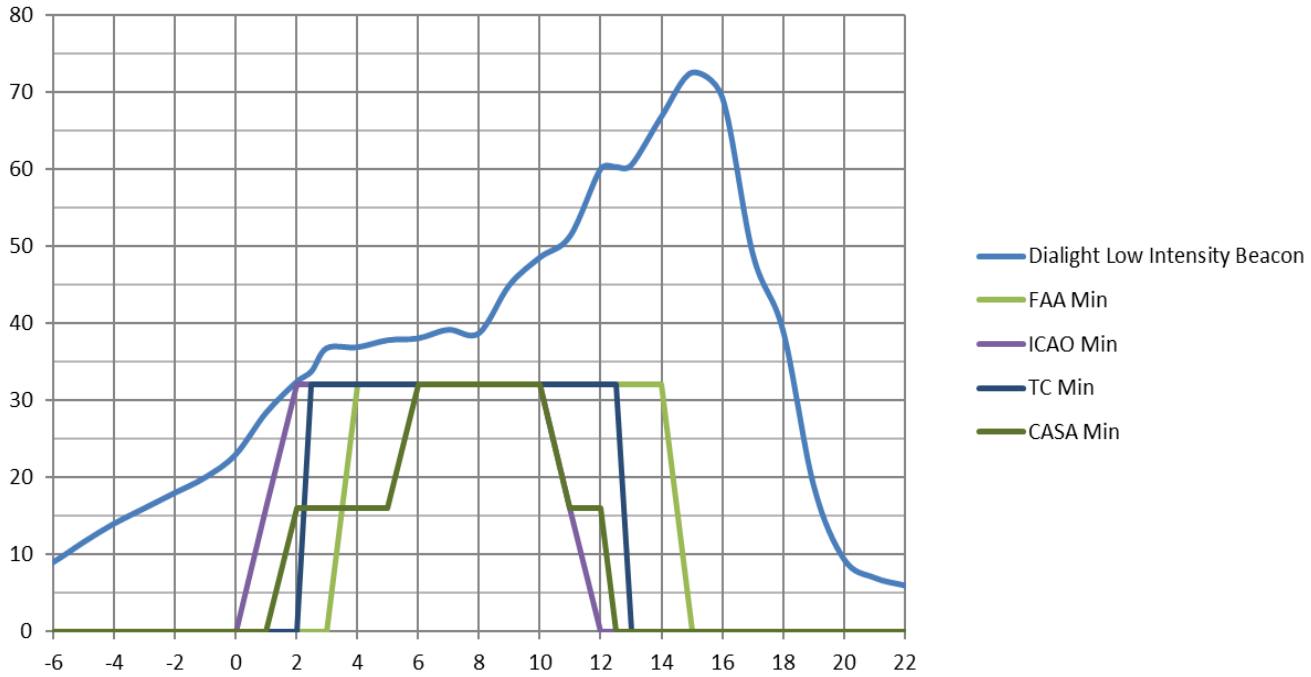


## Medium Intensity Dual Strobe - White/Red Night

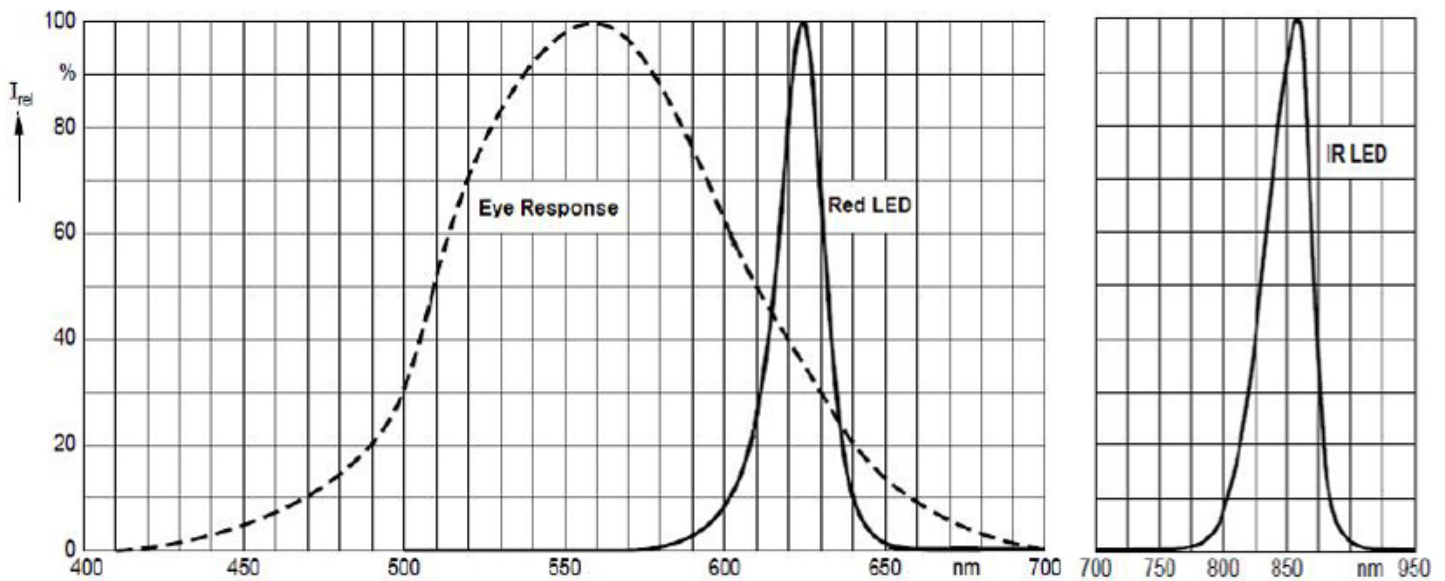


# Light Output Charts

## Low Intensity (Red) Beacon



## Infrared Wave Length



## Ordering Information

### Flash Head (L-864/ L-865)

Part Number	Description
D1RWFH409	Dual Red/White Medium Intensity Flash Head
D1CWFH409	Dual Red/White Medium Intensity Flash Head w/ IR

### Side Markers (L-810)

Input	Part Number	Description
12-48 VDC	RTO1R18001	L-810 Low Intensity Side Marker: DC Input
12-48 VDC	RTOCR28001	L-810 Low Intensity Side Marker w/ IR: DC Input
120-240 VAC	RTO1R07001	L-810 Low Intensity Side Marker: AC Input
277 VAC	RTO1R06001	L-810 Low Intensity Side Marker: AC Input
120-240 VAC	RTOCR27001	L-810 Low Intensity Side Marker w/ IR: AC Input

### Controllers

Input	Part Number	Description
48 VDC	D1CWCTR449	Dual Red/White Medium Intensity Controller w/IR: DC Input
48 VDC	D1CWCTR449N	Dual Red/White Medium Intensity Controller w/INEM: DC Input
120-277 VAC	D1RWCTR409	Dual Red/White Medium Intensity Controller: AC Input
120-277 VAC	D1CWCTR409	Dual Red/White Medium Intensity Controller w/IR : AC Input
120-277 VAC	D1CWCTR409N	Dual Red/White Medium Intensity Controller w/INEM: AC Input

### Power Supply

Input	Part Number	Description
48 VDC	D1RWPS9449	Dual Red/White Medium Intensity Power Supply: DC Input
48 VDC	D1CWPS9449	Dual Red/White Medium Intensity Power Supply w/ IR: DC Input
120-277 VAC	D1RWPS9409	Dual Red/White Medium Intensity Power Supply: AC Input
120-277 VAC	D1CWPS9409	Dual Red/White Medium Intensity Power Supply w/ IR: AC Input

### Photocell

Part Number	Description
D2566000PEC	Photocell: Single 3/4" NPT Entry

Complete Lighting Kits available for FAA Type D1, D1+1, D2 D2+1, E1, E1+1, E2 and E2+1

## **North American HQ**

1501 Route 34 South  
Farmingdale, NJ 07727  
Tel: 732-919-3119  
Fax: 732-751-5778  
info@dialight.com

## **EMEA Technical Centre**

Ejby Industrivej 91 B  
200 Glostrup  
Tel: +45 8877 4545 (Denmark)  
Tel: +44 1638 666541 (UK)  
Tel: +49 89 12089 5713 (Germany)  
Tel: +33 3 23 22 62 58 (France)  
sales-europe@dialight.com

## **Houston**

16830 Barker Springs Rd  
Ste 407,  
Houston, TX 77084  
Tel: 732-919-3119  
Faz: 281-492-1531  
info@dialight.com

## **Middle East**

Level 42  
Emirates Towers (Office Tower)  
Sheikh Zayed Road  
Dubai, United Arab Emirates  
Fax: +971 (0) 4319 7686  
Tel: +971 (0) 4319 7686

## **Australia**

38 O'Malley Street  
Osborne Park, WA 6017  
Tel: +61 (0) 8 9244 7600  
Fax: +61 (0) 8 9244 7601  
info@dialight.com.au

## **Southeast Asia**

33 Ubi Avenue 3  
#07-72 Vertex (Tower A)  
Singapore 408868  
Tel: +65 6578 7157  
Fax: +65 6578 7150  
enquiry@dialight.com.sg

## **Brazil**

Alameda Mercurio,  
225 – American Park Empresarial NR  
Indaiatuba – SP – 13347– 662  
Tel: +55 (19) 3113-4300  
Fax: +55 (19) 3113-4300  
brasil@dialight.com

All values and performance data contained herein are design or typical values when measured under laboratory conditions. Dialight products are intended for ultimate purchase by industrial users and for operation by persons trained and experienced in the use and maintenance of this equipment. While every precaution has been taken to ensure accuracy and completeness of the information in this document, this document does not form part of any contract with Dialight and Dialight does not assume any liability for damages resulting from the use of this information, including any information on third party websites linked to from this document. The information in this document is subject to change without notice. The products or software referenced in this document are subject to the applicable warranties and terms and conditions of use/purchase. Unless agreed otherwise in writing, Dialight does not warrant or represent that its products are fit for a particular purpose and accepts no responsibility for the installation or unauthorised use of its products.

Dialight reserves the right to make changes at any time in order to supply the best product possible.

The most current version of this document will always be available at: [www.dialight.com](http://www.dialight.com)