

.....Dialight



DuroSite® LED RTO Area Light - UL / CSA
for Indoor and Outdoor Industrial Applications

APRIL 2024



Features & Benefits

- 5 year warranty
- L70 rated for >100,000 hours @ 25°C ambient
- Superior color rendition index compared to HPS, LPS, MV
- Resistant to shock and vibration
- Weather/corrosion resistant lamp assembly and housing
- Temperature compensation technology for longer life
- Factory sealed

Application

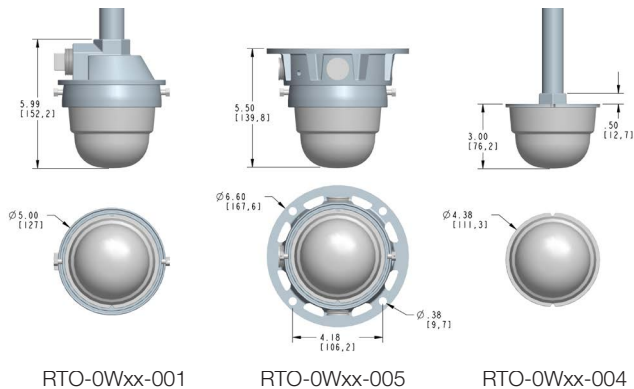
Dialight introduces the new state-of-the-art fixture for industrial general lighting. Its rugged solid state design creates a new era where failed lamps and expensive relamping costs become a thing of the past. The DuroSite LED Downlight incorporates cutting edge LED technology and is the most efficient light source available for industrial lighting applications. fixture offers improved

DuroSite LED RTO Area Light - UL / CSA Standard Models



Certifications & Ratings

- 5 year warranty
- UL 1598
- IP66



Dimensions in inches [mm]

Mechanical Information:

Fixture weight: RTO0Wxx001: 2.5 lbs (1.13 kg)
RTO0Wxx005: 3.2 lbs (1.45 kg)
RTO0Wxx004: 0.8 lbs (0.36 Kg)

Shipping weight: RTO0Wxx001: 3.0 lbs (1.36 kg)
RTO0Wxx005: 4.5 lbs (2.04 kg)
RTO0Wxx004: 1.4 lbs (0.64 Kg)

Mounting:

Pendant Mount: 1" & 3/4" NPT reducer bi-directional
Ceiling Mount: 3/4" NPT 5-way surfac
Pendant Mount: 3/4" NPT threaded conduit

Electrical Specifications:

Operating Voltage: 100 - 277V AC, 50/60 Hz
12 - 48V DC

Total system power consumption: See table

Operating Temp: -40°F to +133°F (-40°C to +55°C)

Harmonics: IEC 61000-3-2

Noise requirement /EMC: FCC Title 47, Subpart B, Section 15, class A device. RF Immunity; 10V/m, 80MHz-1GHz

Transient protection: 1 kV line to line
2 kV line to ground

THD: <20%

Power Factor: > 0.9

Construction:

Housing: Copper free aluminum

Finish: Superior dual coat finish
Sealed polyester topcoat
Chemical-resistant epoxy prime

Lens: UV stabilized abrasion resistant polycarbonate

Photometric Information:

CRI: 75

CCT: 6000K (cool white)

All values typical unless otherwise stated (tolerance +/- 10%)

WARNING - INSTALLATION & SECONDARY RETENTION. Use of any Dialight products without proper installation (including secondary retention / netting) and periodic inspections could cause severe injury or death. Dialight recommends that all installations should use secondary retention / netting (appropriate to the installation environment) where applicable. It is the exclusive responsibility of the contractor, installer and/or end-user to: (a) determine the suitability of the product for its intended application; and, (b) ensure that the product is safely installed (with secondary retention / netting where appropriate) and in compliance with all applicable laws and regulations. To the extent permissible under applicable laws, Dialight disclaims all liability for personal injury and/or other damage resulting from any dislodgment or other dislocation of its products.

DuroSite LED RTO Area Light - UL / CSA

Ordering Information

Part Number	Type	Fixture Lumen	Watt	LPW	Voltage	CCT	Lens	Beam Distribution
Standard Models - 100-277 VAC								
RTO0W17005	Ceiling mount with junction box	800	8	100	100-277V AC	6000K (cool white)	Clear Polycarbonate	Circular
RTO0W17004	Pendant mount	800	8	100	100-277V AC	6000K (cool white)	Clear Polycarbonate	Circular
RTO0W17001	Pendant mount with junction box	800	8	100	100-277V AC	6000K (cool white)	Clear Polycarbonate	Circular
RTO0W07005	Ceiling mount with junction box	470	8	59	100-277V AC	6000K (cool white)	Clear Polycarbonate	Circular
RTO0W07004	Pendant mount	470	8	59	100-277V AC	6000K (cool white)	Clear Polycarbonate	Circular
RTO0W07001	Pendant mount with junction box	470	8	59	100-277V AC	6000K (cool white)	Clear Polycarbonate	Circular
Standard Models - 12-48 VDC								
RTO0W18005	Ceiling mount with junction box	800	8	100	12 - 48V DC	6000K (cool white)	Clear Polycarbonate	Circular
RTO0W18004	Pendant mount	800	8	100	12 - 48V DC	6000K (cool white)	Clear Polycarbonate	Circular
RTO0W18001	Pendant mount with junction box	800	8	100	12 - 48V DC	6000K (cool white)	Clear Polycarbonate	Circular
RTO0W08005	Ceiling mount with junction box	470	8	59	12 - 48V DC	6000K (cool white)	Clear Polycarbonate	Circular
RTO0W08004	Pendant mount	470	8	59	12 - 48V DC	6000K (cool white)	Clear Polycarbonate	Circular
RTO0W08001	Pendant mount with junction box	470	8	59	12 - 48V DC	6000K (cool white)	Clear Polycarbonate	Circular

All values typical unless otherwise stated (tolerance +/- 10%)

Mounting Accessories



Pendant Mount

- 3/4" NPT threaded conduit



Pendant Mount with Junction Box

- 1" & 3/4" NPT reducer bi-directional mounting



Ceiling Mount with Junction Box

- 3/4" 5-way surface mounting



RTO1000

- Flush wall mount



RTO1001

- Junction box wall mount

North American HQ

1501 Route 34 South
Farmingdale, NJ 07727
Tel: 732-919-3119
Fax: 732-751-5778
info@dialight.com

Dialight Europe Ltd

Highdown House, Yeoman Way,
Worthing, England BN99 3HH
Tel: +44 (0) 203 058 3540
Customer Service: +44 (0) 163 866 6541
sales-emea@dialight.com

Middle East

Level 23 – Boulevard Plaza Tower 2
Emaar Boulevard, Dubai, U.A.E.
P.O. Box 124342
Tel: +971 (4) 409-6962
Fax: +971 (4) 409-6850

Australia

108 Howe Street
Osborne Park, WA 6017
Tel: +61 (0) 8 9244 7600
Fax: +61 (0) 8 9244 7601
info@dialight.com.au

Southeast Asia

56 Kallang Pudding Road
#09 – 08 HH@Kallang
Singapore 349328
Tel: +65 6578 7271
Fax: +65 6578 7150
enquiry@dialight.com.sg

WARNING / DISCLAIMERS:

Installation & secondary retention. The use of this product without proper installation (including secondary retention / netting) and periodic inspections, could cause severe injury or death. Dialight recommends that all installations should use secondary retention / netting (appropriate to the installation environment) as applicable. Dialight products are intended for ultimate purchase, installation and operation by knowledgeable persons trained in the functional assessment, installation, use and maintenance of such products and all customers (including but not limited to end customers) are responsible for assessing the suitability of Dialight products for any given installation requirement. It is the exclusive responsibility of the contractor, installer and/or end-user to: (a) determine the suitability of the product for its intended application; and, (b) ensure that the product is safely installed (with secondary retention / netting as appropriate) and in compliance with all applicable laws and regulations.

Product specifications & warranties. All product information provided is, to the best of Dialight's knowledge, accurate as of the date of publication. All values and performance data herein are design or typical values when measured under laboratory conditions. The information herein is subject to change without notice. The products / software detailed herein are subject to applicable warranties and terms and conditions of use/purchase. Unless agreed otherwise in writing by an authorized representative of Dialight, Dialight does not represent that its products are fit for any particular purpose and accepts no liability for the installation and/or unauthorised use of its products. When ordering, refer to www.dialight.com for current versions of: (a) relevant product documentation (including relevant product data sheets); (b) Dialight terms and conditions of sale; and, (c) the relevant product warranties. To the extent that any contract is deemed formed between Dialight and the purchaser of Dialight products and/or an end-user, versions of documents available at www.dialight.com as at the date of sale shall be the versions incorporated therein. In the event of any discrepancy between this document and information provided at www.dialight.com, the latter shall prevail.

Exclusion of liability. To the extent permissible under the relevant law, Dialight disclaims all liability for personal injury and/or other damage resulting from any dislodgment or other dislocation of its products. Whilst Dialight has used its reasonable endeavours to ensure the completeness and accuracy of information herein, Dialight does not assume any liability for damages resulting from use of this information or for any third-party representations made in relation to Dialight products.