

SafeSite[®] LED Floodlight - ATEX / IECEx for Outdoor Industrial Applications - APAC

SafeSite® LED Floodlight - ATEX / IECEx

Standard Models



Certifications & Ratings (All Models)

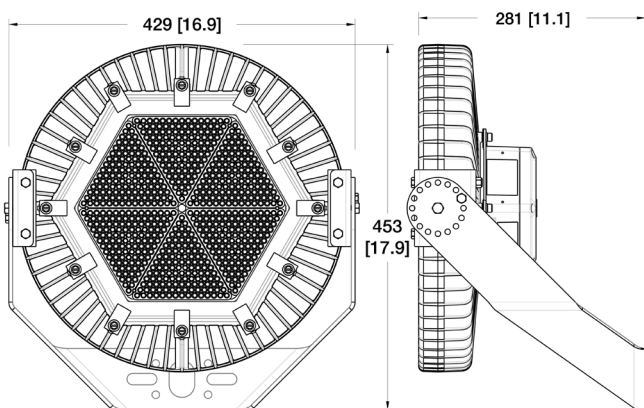
- 10 year warranty
- ATEX / IECEx Zones 1, 21
- ATEX / IECEx Zones 2, 22
- CE
- IP66
- RoHS compliant
- L70 rated for >150,000 hours @ 25°C

Certifications & Ratings (IIB Models)

- Ex II 2 GB
- Ex db eb IIB T5 Gb
- Ex tb IIIC T100°C Db
- Certificate numbers:
Sira 18ATEX1001X
IECEx SIR 18.0001X

Certifications & Ratings (IIB + H2 Models)

- Ex II 2 GD
- Ex de IIB+H2 T4 Gb
- Ex tb IIIC 135°C
- Certificate numbers:
Baseefa 12ATEX0070X
IECEx BAS 12.0044X



Dimensions in mm (inches)

Mechanical Information:

- Fixture weight:** 15.4 kg (34 lb)
- Mounting:** 316 stainless steel mounting bracket (included)
- Wiring options:** Factory fitted junction terminal box with 2 off M25 x 1.5mm cable entries

Electrical Specifications:

- Operating voltage:**
Standard Models: 100-277 VAC, 120-250 VDC
Hydrogen Models: 100-277 VAC
- Dimming:** DALI 2.0 compatible (FSA models only)
- Total system power consumption:** See table
- Operating temperature:** -40°C to +60°C
- Harmonics:** IEC 61000-3-2
- Surge protection:** Protection devices capable of handling up to 6kV. Tested for 6kV/2 ohm combination wave, as per IEEE C62.41, line-line and line-ground

- THD:** <20%
- Power factor:** > 0.9

Construction:

- Housing:** Copper-free aluminum
- Finish:** Superior dual coat finish
- Sealed polyester topcoat
- Chemical resistant epoxy primer
- Lens:** Tempered glass
(optional fragment retention film available)

Photometric Information:

- CRI:** 80 typical
- CCT:** 4000K (neutral white)
5000K (cool white)

All values typical unless otherwise stated (tolerance +/- 10%)

WARNING - INSTALLATION & SECONDARY RETENTION. Use of any Dialight products without proper installation (including secondary retention / netting) and periodic inspections could cause severe injury or death. Dialight recommends that all installations should use secondary retention / netting (appropriate to the installation environment) where applicable. It is the exclusive responsibility of the contractor, installer and/or end-user to: (a) determine the suitability of the product for its intended application; and, (b) ensure that the product is safely installed (with secondary retention / netting where appropriate) and in compliance with all applicable laws and regulations. To the extent permissible under applicable laws, Dialight disclaims all liability for personal injury and/or other damage resulting from any dislodgment or other dislocation of its products.

SafeSite® LED Floodlight - ATEX / IECEx

Ordering Information

Part Number	Hydrogen Environment	Fixture Lumens	Typical Wattage	lm/W	Voltage	Colour Temperature (CCT)	Lens	Beam Distribution
Standard Models								
FSA-7MN2-EAVN-NGN		25,900	185	140	100-277 VAC, 120-250 VDC	4000K (neutral white)	Tempered Glass	Medium
FSA-76N2-EAVN-NGN		25,900	185	140	100-277 VAC, 120-250 VDC	4000K (neutral white)	Tempered Glass	Narrow
FSA-7MN2-CAVN-NGN		18,600	130	143	100-277 VAC, 120-250 VDC	4000K (neutral white)	Tempered Glass	Medium
FSA-76N2-CAVN-NGN		18,600	130	143	100-277 VAC, 120-250 VDC	4000K (neutral white)	Tempered Glass	Narrow
Hydrogen Models								
FLH9MN4PN-KNG	•	23,500	212	110	110-277 VAC	4000K (neutral white)	Tempered Glass	Medium
FLH9NN4PN-KNG	•	23,500	212	110	110-277 VAC	4000K (neutral white)	Tempered Glass	Narrow
FLH9MN4KN-KNG	•	16,000	144	111	100-277 VAC	4000K (neutral white)	Tempered Glass	Medium
FLH9NN4KN-KNG	•	16,000	144	111	100-277 VAC	4000K (neutral white)	Tempered Glass	Narrow

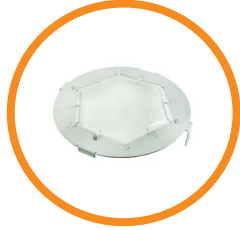
All values typical unless otherwise stated. Lumen values are typical (tolerance +/- 10%).

Part numbers listed in **bold** are typically available in stock.

For optional glass fragment retention film, change the 4th character from a 7 to a G. Example: FSA-7MN2-EAVN-NGN becomes FSA-GMN2-EAVN-NGN
For additional ordering colour temperatures and optical patterns, please consult the factory.

SafeSite® LED Floodlight - ATEX / IECEx

Mounting Options & Beam Distribution Patterns



HBXSBK

- Sand blast kit (flat lens)

HBXSBL

- Sacrificial flat lens

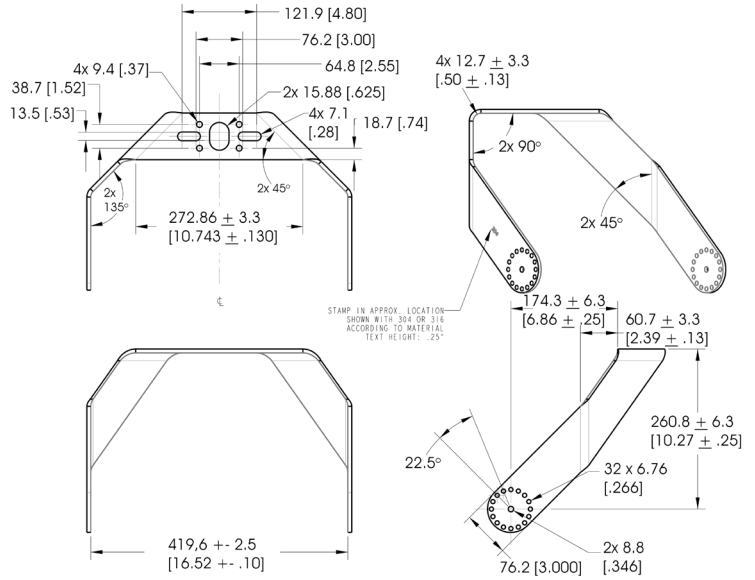


HBXSBDK

- Sand blast kit (dome lens)

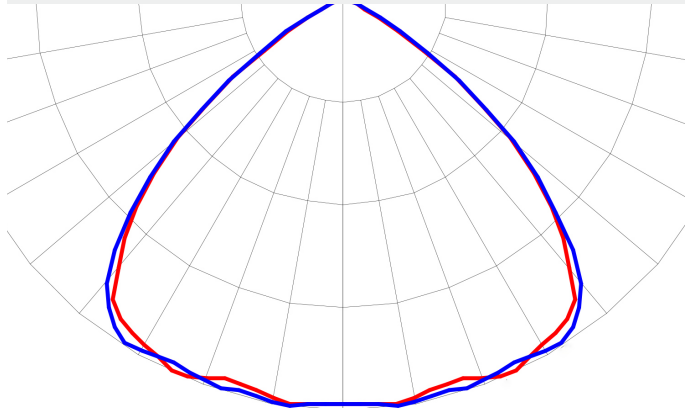
HBXSBDL

- Sacrificial dome lens

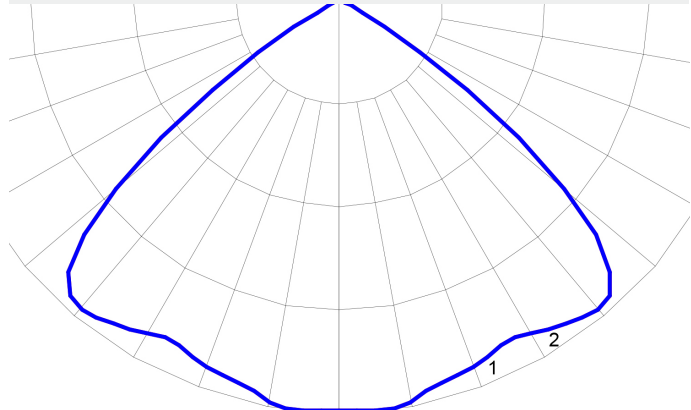


Dimensions in mm (inches)

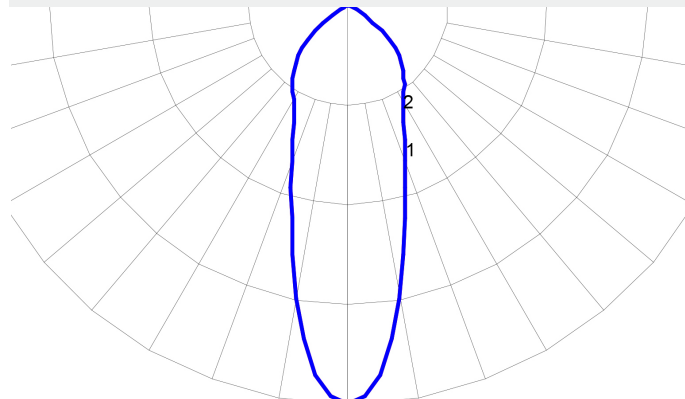
Medium Pattern



Wide Pattern



Narrow Pattern



DISCLAIMER: All information provided is, to the best of Dialight's knowledge, accurate as of the date of publication, but is subject to change without notice and does not form part of any contract with Dialight. When ordering please refer to www.dialight.com for current versions of: (a) relevant product documentation (including the most up to date product data sheets); (b) Dialight terms and conditions of sale; and, (c) the relevant product warranty. All information provided is, to Dialight's knowledge, accurate at the date of publication, but is subject to change without notice and does not form part of any contract with Dialight. In the event of any discrepancy between this document and information provided on our website, the latter shall prevail.

North American HQ

1501 Route 34 South
Farmingdale, NJ 07727
Tel: 732-919-3119
Fax: 732-751-5778
info@dialight.com

Dialight Europe Ltd

Highdown House, Yeoman Way,
Worthing, England BN99 3HH
Tel: +44 (0) 203 058 3540
Customer Service: +44 (0) 163 866 6541
sales-emea@dialight.com

Middle East

Level 23 – Boulevard Plaza Tower 2
Emaar Boulevard, Dubai, U.A.E.
P.O. Box 124342
Tel: +971 (4) 409-6962
Fax: +971 (4) 409-6850

Australia

108 Howe Street
Osborne Park, WA 6017
Tel: +61 (0) 8 9244 7600
Fax: +61 (0) 8 9244 7601
info@dialight.com.au

Southeast Asia

56 Kallang Pudding Road
#09 – 08 HH@Kallang
Singapore 349328
Tel: +65 6578 7271
Fax: +65 6578 7150
enquiry@dialight.com.sg

WARNING / DISCLAIMERS:

Installation & secondary retention. The use of this product without proper installation (including secondary retention / netting) and periodic inspections, could cause severe injury or death. Dialight recommends that all installations should use secondary retention / netting (appropriate to the installation environment) as applicable. Dialight products are intended for ultimate purchase, installation and operation by knowledgeable persons trained in the functional assessment, installation, use and maintenance of such products and all customers (including but not limited to end customers) are responsible for assessing the suitability of Dialight products for any given installation requirement. It is the exclusive responsibility of the contractor, installer and/or end-user to: (a) determine the suitability of the product for its intended application; and, (b) ensure that the product is safely installed (with secondary retention / netting as appropriate) and in compliance with all applicable laws and regulations.

Product specifications & warranties. All product information provided is, to the best of Dialight's knowledge, accurate as of the date of publication. All values and performance data herein are design or typical values when measured under laboratory conditions. The information herein is subject to change without notice. The products / software detailed herein are subject to applicable warranties and terms and conditions of use/purchase. Unless agreed otherwise in writing by an authorized representative of Dialight, Dialight does not represent that its products are fit for any particular purpose and accepts no liability for the installation and/or unauthorised use of its products. When ordering, refer to www.dialight.com for current versions of: (a) relevant product documentation (including relevant product data sheets); (b) Dialight terms and conditions of sale; and, (c) the relevant product warranties. To the extent that any contract is deemed formed between Dialight and the purchaser of Dialight products and/or an end-user, versions of documents available at www.dialight.com as at the date of sale shall be the versions incorporated therein. In the event of any discrepancy between this document and information provided at www.dialight.com, the latter shall prevail.

Exclusion of liability. To the extent permissible under the relevant law, Dialight disclaims all liability for personal injury and/or other damage resulting from any dislodgment or other dislocation of its products. Whilst Dialight has used its reasonable endeavours to ensure the completeness and accuracy of information herein, Dialight does not assume any liability for damages resulting from use of this information or for any third-party representations made in relation to Dialight products.