

Dialight



**SafeSite<sup>®</sup> LED Linear - UL 844**  
for Indoor & Outdoor Hazardous Applications - Americas



APRIL 2024

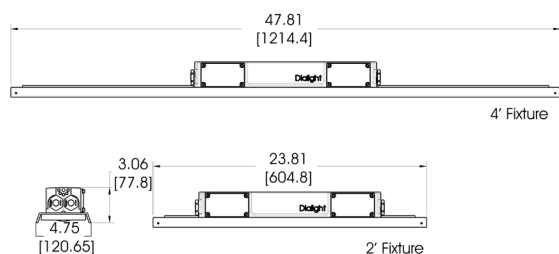
## SafeSite LED Linear - UL 844

### Low Profile - Class I, Div. 2 / Class II



#### Certifications & Ratings

- 5 year warranty
- UL 1598/A
- UL 844
- CSA C22.2 No. 137
- CSA C22.2 No. 250
- IP66 / 67
- L70 rated for >100,000 hours @ 25°C ambient
- Class I, Div. 2 Groups A, B, C & D
- Class II, Div. 1 Groups E, F & G
- Class II, Div. 2 Groups F & G
- Class III
- NEMA 4X



Dimensions in inches [mm]

#### Temperature Ratings

Ambient Temperature Range T4A Temperature Code	Ambient Temperature Range T5 Temperature Code
-4°F to +149°F (-20°C to +65°C)	-4°F to +113°F (-20°C to +45°C)

#### Mechanical Information:

<b>Fixture weight:</b>	4' - 10 lb (4.5 kg) 2' - 7 lb (3.2 kg)
<b>Shipping weight:</b>	4' - 11 lb (5.0 kg) 2' - 8 lb (3.6 kg)
<b>Mounting:</b>	(4) 3/4" NPT openings Optional swivel bracket - LPXW4 Optional low profile bracket - LPXW4LP

#### Electrical Specifications:

<b>Operating voltage:</b>	100-277 VAC, 50/60Hz
<b>Power consumption:</b>	See ordering information
<b>Operating temp:</b>	-40°F to +149°F (-40°C to +65°C)
<b>Harmonics:</b>	IEC 61000-3-2

**Noise Requirements/EMC:** FCC Title 47, Subpart B, Section 15, Class A device. RF Immunity; 10V/m, 80MHz-1GHz

**Surge protection:** EN 61000-4-5  
4 kV line-to-line  
4 kV line-to-ground

**THD:** < 20%

**Power factor:** > 0.9

#### Construction:

**Finish:** Superior dual coat finish  
- Sealed polyester topcoat  
- Chemical resistant epoxy primer

**Lens:** Polycarbonate

#### Photometric Information:

<b>CRI:</b>	80
<b>CCT:</b>	5000K (cool white) 4000K (neutral white)
<b>IES files:</b>	Available at <a href="http://www.dialight.com">www.dialight.com</a>

All values typical unless otherwise stated (tolerance +/- 10%)

**WARNING - INSTALLATION & SECONDARY RETENTION.** Use of any Dialight products without proper installation (including secondary retention / netting) and periodic inspections could cause severe injury or death. Dialight recommends that all installations should use secondary retention / netting (appropriate to the installation environment) where applicable. It is the exclusive responsibility of the contractor, installer and/or end-user to: (a) determine the suitability of the product for its intended application; and, (b) ensure that the product is safely installed (with secondary retention / netting where appropriate) and in compliance with all applicable laws and regulations. To the extent permissible under applicable laws, Dialight disclaims all liability for personal injury and/or other damage resulting from any dislodgment or other dislocation of its products.

# SafeSite LED Linear - UL 844

## Low Profile - Class I, Div. 2 / Class II - Ordering Information

Classifications: CID2 A, B, C, D • CIID1 E, F, G • CIID2 F, G • CIII

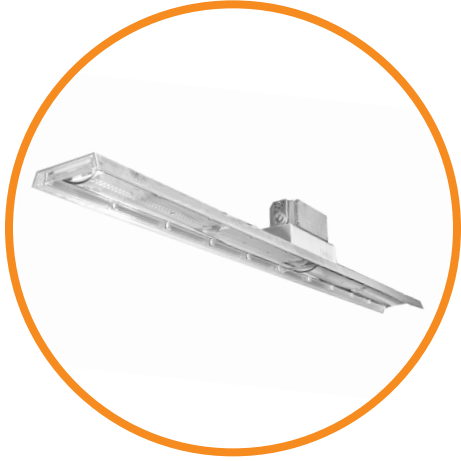
Part Number	Length	CRI	CID1	CID2	CIID1	CIID2	CIII	Fixture Lumens	Watt	lm/W	Voltage	CCT	Lens	Beam Distribution
<b>Class I, Div. 2 Models</b>														
LPD3C4M2P	4'	80		•		•	•	7,900	60	132	100-277 VAC	5000K (cool white)	Clear	Medium
LPD3C4H2W	4'	80		•		•	•	7,100	60	118	100-277 VAC	5000K (cool white)	Diffused	Medium
LPD3N4M2P	4'	80		•		•	•	7,300	60	122	100-277 VAC	4000K (neutral white)	Clear	Medium
LPD3N4H2W	4'	80		•		•	•	6,700	60	112	100-277 VAC	4000K (neutral white)	Diffused	Medium
LPD3C4D2P	2'	80		•		•	•	3,850	29	133	100-277 VAC	5000K (cool white)	Clear	Medium
LPD3C4B2W	2'	80		•		•	•	3,500	29	121	100-277 VAC	5000K (cool white)	Diffused	Medium
LPD3N4D2P	2'	80		•		•	•	3,600	29	124	100-277 VAC	4000K (neutral white)	Clear	Medium
LPD3N4B2W	2'	80		•		•	•	3,300	29	114	100-277 VAC	4000K (neutral white)	Diffused	Medium
<b>Class II, Div. I Models</b>														
LPF3C4M2P	4'	80			•	•	•	7,900	60	132	100-277 VAC	5000K (cool white)	Clear	Medium
LPF3C4H2W	4'	80			•	•	•	7,100	60	118	100-277 VAC	5000K (cool white)	Diffused	Medium
LPF3N4M2P	4'	80			•	•	•	7,300	60	122	100-277 VAC	4000K (neutral white)	Clear	Medium
LPF3N4H2W	4'	80			•	•	•	6,700	60	112	100-277 VAC	4000K (neutral white)	Diffused	Medium
LPF3C4D2P	2'	80			•	•	•	3,850	29	133	100-277 VAC	5000K (cool white)	Clear	Medium
LPF3C4B2W	2'	80			•	•	•	3,500	29	121	100-277 VAC	5000K (cool white)	Diffused	Medium
LPF3N4D2P	2'	80			•	•	•	3,600	29	124	100-277 VAC	4000K (neutral white)	Clear	Medium
LPF3N4B2W	2'	80			•	•	•	3,300	29	114	100-277 VAC	4000K (neutral white)	Diffused	Medium

All values typical unless otherwise stated, Lumen values are typical (tolerance +/- 10%).

Part numbers listed in the table above are cool white. For neutral white model, replace the 5th character with N. Ex. LPD3C4M2P becomes LPD3N4M2P

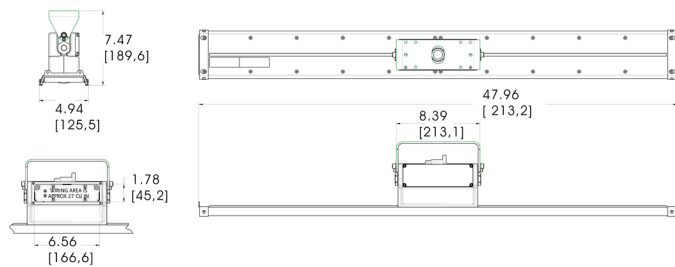
## SafeSite LED Linear - UL 844

### Top Conduit - Class I, Div. 2 / Class II



#### Certifications & Ratings

- 5 year warranty
- UL 1598/A
- UL 844
- CSA C22.2 No. 137
- CSA C22.2 No. 250
- IP66
- L70 rated for >100,000 hours @ 25°C ambient
- Class I, Div. 2 Groups A, B, C & D
- Class II, Div. 1 Groups E, F & G
- Class II, Div. 2 Groups F & G
- Class III
- NEMA 4X



Dimensions in inches [mm]

#### Temperature Ratings

Ambient Temperature Range T4A Temperature Code	Ambient Temperature Range T5 Temperature Code
-40°F to +149°F (-40°C to +65°C)	-40°F to +113°F (-40°C to +45°C)

#### Mechanical Information:

<b>Fixture weight:</b>	4' - 10 lb (4.5 kg) 2' - 7 lb (3.2 kg)
<b>Shipping weight:</b>	4' - 11 lb (5.0 kg) 2' - 8 lb (3.6 kg)
<b>Mounting:</b>	(3) 3/4" NPT openings Optional swivel bracket - LTXW4 Optional low profile bracket - LTXW4LP

#### Electrical Specifications:

<b>Operating voltage:</b>	100-277 VAC, 50/60Hz
<b>Power consumption:</b>	See ordering information
<b>Operating temp:</b>	-40°F to +149°F (-40°C to +65°C)
<b>Harmonics:</b>	IEC 61000-3-2

**Noise Requirements/EMC:** FCC Title 47, Subpart B, Section 15, Class A device. RF Immunity; 10V/m, 80MHz-1GHz

**Surge protection:** EN 61000-4-5  
4 kV line-to-line  
4 kV line-to-ground

**THD:** < 20%

**Power factor:** > 0.9

#### Construction:

**Finish:** Superior dual coat finish  
- Sealed polyester topcoat  
- Chemical resistant epoxy primer

**Lens:** Polycarbonate

#### Photometric Information:

**CRI:** 80

**CCT:** 5000K (cool white)  
4000K (neutral white)

**IES files:** Available at [www.dialight.com](http://www.dialight.com)

All values typical unless otherwise stated (tolerance +/- 10%)

**WARNING - INSTALLATION & SECONDARY RETENTION.** Use of any Dialight products without proper installation (including secondary retention / netting) and periodic inspections could cause severe injury or death. Dialight recommends that all installations should use secondary retention / netting (appropriate to the installation environment) where applicable. It is the exclusive responsibility of the contractor, installer and/or end-user to: (a) determine the suitability of the product for its intended application; and, (b) ensure that the product is safely installed (with secondary retention / netting where appropriate) and in compliance with all applicable laws and regulations. To the extent permissible under applicable laws, Dialight disclaims all liability for personal injury and/or other damage resulting from any dislodgment or other dislocation of its products.

# SafeSite LED Linear - UL 844

## Top Conduit - Class I, Div. 2 / Class II - Ordering Information

Classifications: CID2 A, B, C, D • CIID1 E, F, G • CIID2 F, G • CIII

Part Number	Length	CRI	CID1	CID2	CIID1	CIID2	CIII	Fixture Lumens	Watt	lm/W	Voltage	CCT	Lens	Beam Distribution
<b>Class I, Div. 2 Models</b>														
LTD3C4M2P	4'	80		•		•	•	7,900	60	132	100-277 VAC	5000K (cool white)	Clear	Medium
LTD3C4H2W	4'	80		•		•	•	7,100	60	118	100-277 VAC	5000K (cool white)	Diffused	Medium
LTD3N4M2P	4'	80		•		•	•	7,300	60	122	100-277 VAC	4000K (neutral white)	Clear	Medium
LTD3N4H2W	4'	80		•		•	•	6,700	60	112	100-277 VAC	4000K (neutral white)	Diffused	Medium
LTD3C4D2P	2'	80		•		•	•	3,850	29	133	100-277 VAC	5000K (cool white)	Clear	Medium
LTD3C4B2W	2'	80		•		•	•	3,500	29	121	100-277 VAC	5000K (cool white)	Diffused	Medium
LTD3N4D2P	2'	80		•		•	•	3,600	29	124	100-277 VAC	4000K (neutral white)	Clear	Medium
LTD3N4B2W	2'	80		•		•	•	3,300	29	114	100-277 VAC	4000K (neutral white)	Diffused	Medium
<b>Class II, Div. I Models</b>														
LTF3C4M2P	4'	80			•	•	•	7,900	60	132	100-277 VAC	5000K (cool white)	Clear	Medium
LTF3C4H2W	4'	80			•	•	•	7,100	60	118	100-277 VAC	5000K (cool white)	Diffused	Medium
LTF3N4M2P	4'	80			•	•	•	7,300	60	122	100-277 VAC	4000K (neutral white)	Clear	Medium
LTF3N4H2W	4'	80			•	•	•	6,700	60	112	100-277 VAC	4000K (neutral white)	Diffused	Medium
LTF3C4D2P	2'	80			•	•	•	3,850	29	133	100-277 VAC	5000K (cool white)	Clear	Medium
LTF3C4B2W	2'	80			•	•	•	3,500	29	121	100-277 VAC	5000K (cool white)	Diffused	Medium
LTF3N4D2P	2'	80			•	•	•	3,600	29	124	100-277 VAC	4000K (neutral white)	Clear	Medium
LTF3N4B2W	2'	80			•	•	•	3,300	29	114	100-277 VAC	4000K (neutral white)	Diffused	Medium

All values typical unless otherwise stated, Lumen values are typical (tolerance +/- 10%).

Part numbers listed in the table above are cool white. For neutral white model, replace the 5th character with N. Ex. LTD3C4D2P becomes LTD3N4D2P

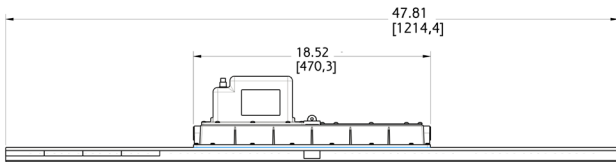
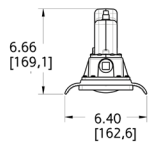
# SafeSite LED Linear - UL 844

## Battery Backup - Class I, Div. 2 / Class II



### Certifications & Ratings

- 5 year warranty
- UL 1598/A
- UL 844
- UL 924
- CSA C22.2 No. 137
- CSA C22.2 No. 250
- IP66
- L70 rated for >100,000 hours @ 25°C ambient
- Class I, Div. 2 Groups A, B, C & D
- Class II, Div. 1 Groups E, F & G
- Class II, Div. 2 Groups F & G
- Class III
- NEMA 4X



Dimensions in inches [mm]

### Temperature Ratings

Ambient Temperature Range T4 Temperature Code

-40°F to +149°F (-40°C to +65°C)

### Mechanical Information:

<b>Fixture weight:</b>	18 lb (8.2 kg)
<b>Shipping weight:</b>	21 lb (9.5 kg)
<b>Mounting:</b>	(1) Threaded 3/4" NPT side (2) Threaded 3/4" NPT ends

### Electrical Specifications:

<b>Operating voltage:</b>	120-277 VAC, 50/60Hz
<b>Power consumption:</b>	85W
<b>Operating temp:</b>	-4°F to +149°F (-20°C to +65°C)
<b>Battery:</b>	3.6V 10Ah NiMH
<b>Battery duration*:</b>	> 3 hours
<b>Harmonics:</b>	IEC 61000-3-2

**Noise Requirements/EMC:** FCC Title 47, Subpart B, Section 15, Class A device. RF Immunity; 10V/m, 80MHz-1GHz

**Surge protection:** EN 61000-4-5  
1 kV line-to-line  
2 kV line-to-ground

**THD:** < 20%

**Power factor:** > 0.9

### Construction:

**Finish:** Superior dual coat finish  
- Sealed polyester topcoat  
- Chemical resistant epoxy primer

**Lens:** Polycarbonate

### Photometric Information:

**CRI:** 75

**CCT:** 5000K (cool white)

**IES files:** Available at [www.dialight.com](http://www.dialight.com)

All values typical unless otherwise stated (tolerance +/- 10%)

\*@ 25°C ambient

# SafeSite LED Linear - UL 844

## Battery Backup - Ordering Information

**Classifications:** CID2 A, B, C, D • CIID1 E, F, G • CIID2 F, G • CIID1 • CIID2

This fixture is offered in sustained and maintained configurations.

Sustained has a single AC input and battery backup mode is entered upon any loss of power. Fixture cannot be turned off without entering battery backup mode.

Maintained has two AC inputs. The fixture can be turned on and off via AC-1 and Fixture only enters battery backup mode when AC-2 is lost or low.

Part Number	Length	CRI	Type	CID2	CIID1	CIID2	CIII	Voltage	Lens	CCT	Fixture Lumens	Watt	lm/W	Beam Distribution
<b>Class I, Div. 2 Models</b>														
LSD3C4MEP	4'	75	Sustained	•				120-277 VAC	Clear	5000K (cool white)	7,000	85	82	Medium
LSD3C4MNP	4'	75	Maintained	•				120-277 VAC	Clear	5000K (cool white)	7,000	85	82	Medium
<b>Class II Models</b>														
LSF3C4MEP	4'	75	Sustained		•	•	•	120-277 VAC	Clear	5000K (cool white)	7,000	85	82	Medium
LSF3C4MNP	4'	75	Maintained		•	•	•	120-277 VAC	Clear	5000K (cool white)	7,000	85	82	Medium

All values typical unless otherwise stated, Lumen values are typical (tolerance +/- 10%).

Part numbers listed in the above table are cool white. For neutral white models replace the 5th character with N. Ex. LSF3C4MEP becomes LSF3N4MEP

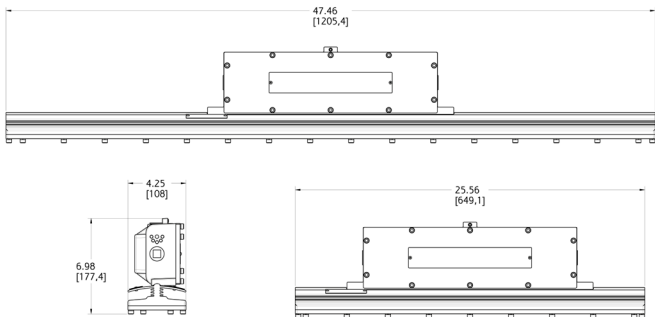
## SafeSite LED Linear - UL 844

### Class I, Div. 1



#### Certifications & Ratings

- 5 year warranty
- UL1598
- UL844
- CSA C22.2 No. 137
- Class I, Div. 1 Groups C & D
- IP66
- NEMA 4X
- L70 rated for >100,000 hours @ 25°C ambient



Dimensions in inches [mm]

#### Temperature Ratings

Ambient Temperature Range T4A Temperature Code	Ambient Temperature Range T5 Temperature Code
-40°F to +149°F (-40°C to +65°C)	-40°F to +113°F (-40°C to +45°C)

#### Mechanical Information:

- Fixture weight:** 4' - 26 lb (11.8 kg)  
2' - 17.5 lb (7.9 kg)
- Shipping weight:** 4' - 28 lb (12.7 kg)  
2' - 19.5 lb (8.8 kg)
- Mounting:** (1) Threaded 3/4" NPT side  
(2) Threaded 3/4" NPT ends

#### Electrical Specifications:

- Operating voltage:** 100-277 VAC, 50/60Hz or 347/480 VAC, 50/60Hz
- Power consumption:** See ordering information
- Operating temp:** -40°F to +149°F (-40°C to +65°C)
- Harmonics:** IEC 61000-3-2
- Noise Requirements/EMC:** FCC Title 47, Subpart B, Section 15, Class A device. RF Immunity; 10V/m, 80MHz-1GHz
- Surge protection:** EN 61000-4-5  
4 kV line-to-line  
4 kV line-to-ground
- THD:** < 20%
- Power factor:** > 0.9

#### Construction:

- Finish:** Superior dual coat finish  
- Sealed polyester topcoat  
- Chemical resistant epoxy primer

**Lens:** Glass

#### Photometric Information:

- CRI:** 75
- CCT:** 5000K (cool white)  
400K (neutral white)
- IES files:** Available upon request

All values typical unless otherwise stated (tolerance +/- 10%)



# SafeSite LED Linear - UL 844

## Class I, Div. 1 - Ordering Information

Classifications: CID1 C, D

Platform Part Number	Legacy Part Number	Length	CRI	Voltage	Lens	CCT	Fixture Lumens	Watt	lm/W	Beam Distribution
<b>CID1 - 100-277 VAC Models</b>										
LRC7MB27NNNNGN	LSC3C4M3GEX	4'	75	100-277 VAC	Tempered glass	5000K (cool white)	7,250	68	106	Medium
LSC7MB23NNNNGN	LSC3C4D3GEX	2'	75	100-277 VAC	Tempered glass	5000K (cool white)	3,600	34	106	Medium
<b>CID1 - 347/480 VAC Models</b>										
LRC7MB57NNNNGN	LSC3C5M3GEX	4'	75	347/480 VAC	Tempered glass	5000K (cool white)	7,250	100	72	Medium
LSC7MB53NNNNGN	LSC3C5D3GEX	2'	75	347/480 VAC	Tempered glass	5000K (cool white)	3,600	50	72	Medium

All values typical unless otherwise stated, Lumen values are typical (tolerance +/- 10%).

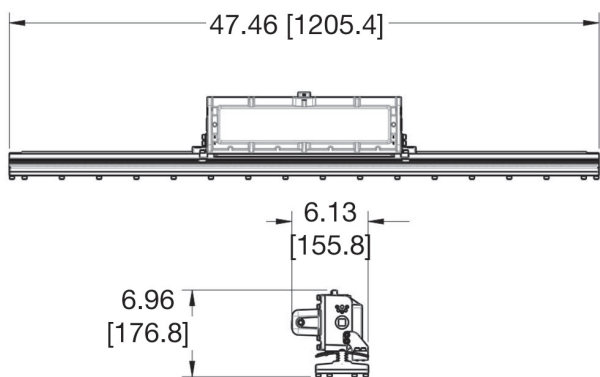
Part numbers listed in the table above are cool white. For neutral white, model replace the 5th character with N. Ex. LSC3C4D3GEX becomes LSC3N4D3GEX.

### SafeSite LED Linear - UL 844 Battery Backup - Class I, Div. 1



#### Certifications & Ratings

- 5 year warranty
- UL 1598/A
- UL 844
- CSA C22.2 No. 137
- CSA C22.2 No. 250
- L70 rated for >100,000 hours @ 25°C ambient
- Class I, Div. 1 Groups C & D
- Class I, Div. 2 Groups A, B, C & D
- IP66
- NEMA 4X



Dimensions in inches [mm]

#### Temperature Ratings

Ambient Temperature Range T4A Temperature Code

-4°F to +149°F (-20°C to +65°C)

#### Mechanical Information:

- Fixture weight:** 32 lb (14.5 kg)
- Shipping weight:** 35 lb (15.9 kg)
- Mounting:** (1) Threaded 3/4" NPT side  
(2) Threaded 3/4" NPT ends

#### Electrical Specifications:

- Operating voltage:** 120-277 VAC, 50/60Hz
- Power consumption:** 85W
- Operating temp:** -4°F to +149°F (-20°C to +65°C)
- Battery:** 3.6V 10Ah NiMH
- Lumen output in battery mode:** 500lm
- Battery duration\*:** > 3 hours
- Harmonics:** IEC 61000-3-2
- Noise Requirements/EMC:** FCC Title 47, Subpart B, Section 15, Class A device. RF Immunity; 10V/m, 80MHz-1GHz
- Surge protection:** EN 61000-4-5  
1 kV line-to-line  
2 kV line-to-ground
- THD:** < 20%
- Power factor:** > 0.9

#### Construction:

- Finish:** Superior dual coat finish  
- Sealed polyester topcoat  
- Chemical resistant epoxy primer
- Lens:** Tempered glass

#### Photometric Information:

- CRI:** 75
- CCT:** 5000K (cool white)
- IES files:** Available at [www.dialight.com](http://www.dialight.com)

All values typical unless otherwise stated (tolerance +/- 10%)  
\*@ 25°C ambient

**WARNING - INSTALLATION & SECONDARY RETENTION.** Use of any Dialight products without proper installation (including secondary retention / netting) and periodic inspections could cause severe injury or death. Dialight recommends that all installations should use secondary retention / netting (appropriate to the installation environment) where applicable. It is the exclusive responsibility of the contractor, installer and/or end-user to: (a) determine the suitability of the product for its intended application; and, (b) ensure that the product is safely installed (with secondary retention / netting where appropriate) and in compliance with all applicable laws and regulations. To the extent permissible under applicable laws, Dialight disclaims all liability for personal injury and/or other damage resulting from any dislodgment or other dislocation of its products.

# SafeSite LED Linear - UL 844

## Battery Backup - Class I, Div. 1 - Ordering Information

Classifications: CID1 Groups C, D

Platform Part Number	Legacy Part Number	Length	CRI	Type	Voltage	Lens	CCT	Fixture Lumens	Watt	lm/W	Beam Distribution
<b>Class I, Div. 1 Model</b>											
LRC7MB27NNNNGE	LSC3C4MEGEX	4'	75	Sustained	120-277 VAC	Tempered glass	5000K (CW)	7,250	85	85	Medium

All values typical unless otherwise stated (tolerance +/- 10%).

Part numbers listed in the table above are cool white. For neutral white models, replace the 5th character with an N.

**DISCLAIMER.** All product information provided is, to the best of Dialight's knowledge, accurate as of the date of publication. When ordering, refer to [www.dialight.com](http://www.dialight.com) for current versions of: (a) relevant product documentation (including the relevant product data sheets); (b) Dialight terms and conditions of sale; and, (c) the relevant product warranty. To the extent that any contract is deemed formed between Dialight and the purchaser of Dialight products and/or an end-user, versions of documents available at [www.dialight.com](http://www.dialight.com) as at the date of sale shall be the versions incorporated therein. In the event of any discrepancy between this document or information provided at [www.dialight.com](http://www.dialight.com), the latter shall prevail.

# SafeSite LED Linear - UL 844

## Mounting and Accessories

### Low Profile Linear



**LPXW4LP**

- 316 Stainless steel low profile mounting bracket
- Can be angled at 0° and 15°



**LPXW4**

- 316 Stainless steel mounting bracket
- Can be angled at 0°, 30°, 45°, 60° & 90°



**LTXSAFEKIT**

- Safety cable kit for secondary retention



**LTXENDCAPKIT**

- 304 Stainless steel chain mount and secondary retention bracket

### Top Conduit Linear



**LTXW4SS**

- 316 Stainless steel mounting bracket
- Can be angled at 0°, 30°, 45°, 60° and 90°

**LTXW4**

- Aluminum mounting bracket
- Can be angled at 0°, 30°, 45°, 60° and 90°



**LTXW4LP**

- Aluminum low profile mounting bracket
- Can be angled at 0° and 15°



**LTXSAFEKIT**

- Safety cable kit for secondary retention



**LTXENDCAPKIT**

- 304 Stainless steel chain mount and secondary retention bracket



**LTXLSXW4**

- Retrofit bracket adapter used to connect LTM model fixtures to an existing LSXW4 bracket

# SafeSite LED Linear - UL 844

## Mounting and Accessories

### Class I, Div. 2 / Class II, Div. 1 Battery Backup Linear



**LSXW4**

- Aluminum mounting bracket
- Can be angled at 0°, 30°, 45°, 60° and 90°



**LSXENDCAPKIT**

- 304 Stainless steel chain mount brackets



**HZXSAFEKIT**

- Safety cable kit



**LSXBATREP1**

- Battery Replacement Kit for CID2/CIID1 Linear

### Class I, Div. 1 (Standard & BB Model)



**LSXW5**

- Aluminum mounting bracket
- Can be angled at 0°, 30°, 45°, 60° & 90°



**HZXSAFEKIT**

- Safety cable kit



**LSXBATREP2**

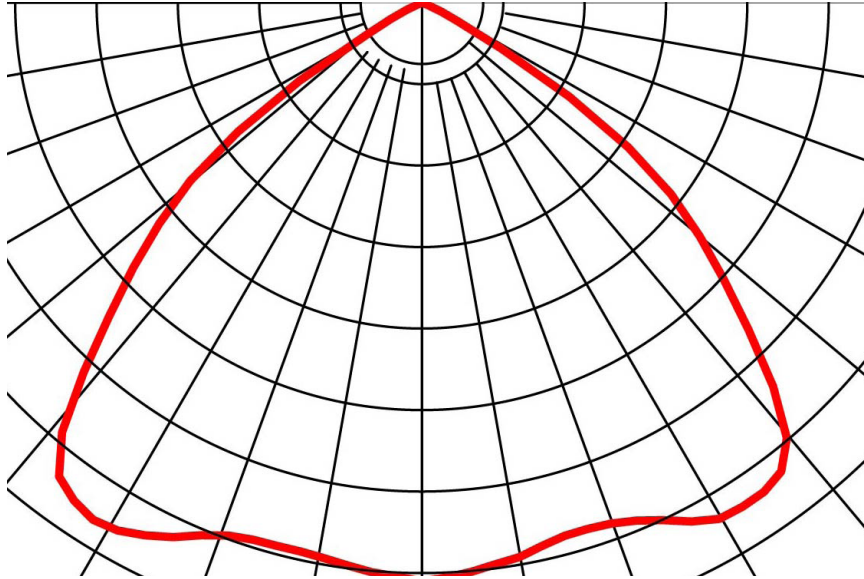
- Battery Replacement Kit for CID1 Linear

**DISCLAIMER.** All product information provided is, to the best of Dialight's knowledge, accurate as of the date of publication. When ordering, refer to [www.dialight.com](http://www.dialight.com) for current versions of: (a) relevant product documentation (including the relevant product data sheets); (b) Dialight terms and conditions of sale; and, (c) the relevant product warranty. To the extent that any contract is deemed formed between Dialight and the purchaser of Dialight products and/or an end-user, versions of documents available at [www.dialight.com](http://www.dialight.com) as at the date of sale shall be the versions incorporated therein. In the event of any discrepancy between this document or information provided at [www.dialight.com](http://www.dialight.com), the latter shall prevail.

# SafeSite LED Linear - UL 844

## Beam Distribution

### Circular



## North American HQ

1501 Route 34 South  
Farmingdale, NJ 07727  
Tel: 732-919-3119  
Fax: 732-751-5778  
info@dialight.com

## Australia

108 Howe Street  
Osborne Park, WA 6017  
Tel: +61 (0) 8 9244 7600  
Fax: +61 (0) 8 9244 7601  
info@dialight.com.au

## Dialight Europe Ltd

Highdown House, Yeoman Way,  
Worthing, England BN99 3HH  
Tel: +44 (0) 203 058 3540  
Customer Service: +44 (0) 163 866 6541  
sales-emea@dialight.com

## Southeast Asia

56 Kallang Pudding Road  
#09 – 08 HH@Kallang  
Singapore 349328  
Tel: +65 6578 7271  
Fax: +65 6578 7150  
enquiry@dialight.com.sg

## Middle East

Level 23 – Boulevard Plaza Tower 2  
Emaar Boulevard, Dubai, U.A.E.  
P.O. Box 124342  
Tel: +971 (4) 409-6962  
Fax: +971 (4) 409-6850

### WARNING / DISCLAIMERS:

**Installation & secondary retention.** The use of this product without proper installation (including secondary retention / netting) and periodic inspections, could cause severe injury or death. Dialight recommends that all installations should use secondary retention / netting (appropriate to the installation environment) as applicable. Dialight products are intended for ultimate purchase, installation and operation by knowledgeable persons trained in the functional assessment, installation, use and maintenance of such products and all customers (including but not limited to end customers) are responsible for assessing the suitability of Dialight products for any given installation requirement. It is the exclusive responsibility of the contractor, installer and/or end-user to: (a) determine the suitability of the product for its intended application; and, (b) ensure that the product is safely installed (with secondary retention / netting as appropriate) and in compliance with all applicable laws and regulations.

**Product specifications & warranties.** All product information provided is, to the best of Dialight's knowledge, accurate as of the date of publication. All values and performance data herein are design or typical values when measured under laboratory conditions. The information herein is subject to change without notice. The products / software detailed herein are subject to applicable warranties and terms and conditions of use/purchase. Unless agreed otherwise in writing by an authorized representative of Dialight, Dialight does not represent that its products are fit for any particular purpose and accepts no liability for the installation and/or unauthorised use of its products. When ordering, refer to [www.dialight.com](http://www.dialight.com) for current versions of: (a) relevant product documentation (including relevant product data sheets); (b) Dialight terms and conditions of sale; and, (c) the relevant product warranties. To the extent that any contract is deemed formed between Dialight and the purchaser of Dialight products and/or an end-user, versions of documents available at [www.dialight.com](http://www.dialight.com) as at the date of sale shall be the versions incorporated therein. In the event of any discrepancy between this document and information provided at [www.dialight.com](http://www.dialight.com), the latter shall prevail.

**Exclusion of liability.** To the extent permissible under the relevant law, Dialight disclaims all liability for personal injury and/or other damage resulting from any dislodgment or other dislocation of its products. Whilst Dialight has used its reasonable endeavours to ensure the completeness and accuracy of information herein, Dialight does not assume any liability for damages resulting from use of this information or for any third-party representations made in relation to Dialight products.