



ProSite LED Floodlight

Technical Specification Sheet - Americas

ProSite LED Floodlight - Non-Hazardous

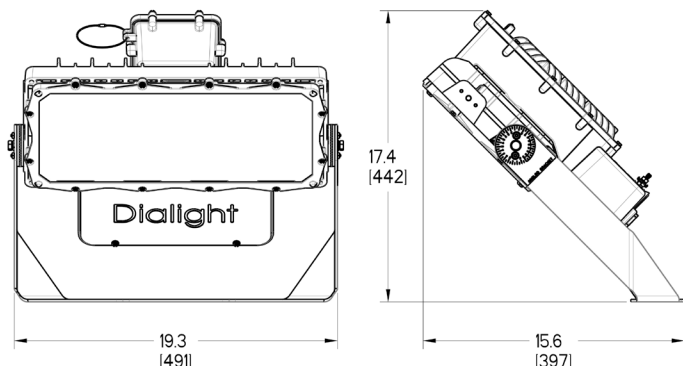
F1 Models



Certifications & Ratings

- 10 year warranty
- UL 1598/A / CSA C22.2 No. 250.0 / NOM ANC2101A00007376-(1-3)
- IP66/67, NEMA 4X
- ABS
- IK10 - Integrated PC optic only
- IK10 - Polycarbonate lens
- IK08 - Glass lens
- L70 > 150,000 hours @ 25°C ambient
- DLC/DLC Premium - selected models

Angled Bracket



Dimensions in inches [mm]
Additional dimensional drawings on pages 21-22

Temperature Ratings

Ambient Temperature T-Code: T4	Ambient Temperature T-Code: T4A
-40°F to +149°F (-40°C to +65°C)	-40°F to +131°F (-40°C to +55°C)

Mechanical Information:

Fixture weight:	24 - 30 lbs
Shipping weight:	~32 lbs
EPA (sq. ft):	2.00
Mounting: (all with 7.5° tilt adjustment)	316 stainless steel straight bracket 316 stainless steel angled bracket Slipfitter bracket
Cable entry:	2 x 3/4" NPT

Electrical Specifications:

Operating voltage:	120-277VAC / 120-250VDC 347-480 VAC
Operating temp:	-40°F to +149°F (-40°C to +65°C)
EMC:	Emissions: FCC Title 47 CFR Part 15 Subpart B, Class A Flicker: IEC 61000-3-3 Immunity requirements for lighting: IEC 61547 Harmonics: IEC 61000-3-2 Class C
Transient protection:	IEC 61000-4-5. 6kV line-line and line-ground. Optional: Additional surge protection module rated for 10kA, 20kA single strike
THD:	< 20%
Power Factor:	> 0.9
Dimming:	DALI 2.0 compatible/0-10 VDC Optional wireless dimming via Dialight IntelliLED controls

Construction:

Housing:	A360 Die-cast aluminum
Hardware:	316 stainless steel
Finish:	Superior epoxy and polyester dual coat finish
Lens:	Integrated PC Optic/Lens, Glass Lens Cover, PC Lens Cover

Photometric Information:

CRI:	70 (80 optional)
CCT:	5000K (cool white) 4000K (neutral white) 2200K (warm white) 2700K (warm white) - 80 CRI
Beam pattern:	NEMA 4 NEMA 6 NEMA 7x6 Asymmetric Asymmetric Wide

IES files: Available at www.dialight.com

All values typical unless otherwise stated (tolerance +/- 10%)

WARNING - INSTALLATION & SECONDARY RETENTION. Use of any Dialight products without proper installation (including secondary retention / netting) and periodic inspections could cause severe injury or death. Dialight recommends that all installations should use secondary retention / netting (appropriate to the installation environment) where applicable. It is the exclusive responsibility of the contractor, installer and/or end-user to: (a) determine the suitability of the product for its intended application; and, (b) ensure that the product is safely installed (with secondary retention / netting where appropriate) and in compliance with all applicable laws and regulations. To the extent permissible under applicable laws, Dialight disclaims all liability for personal injury and/or other damage resulting from any dislodgment or other dislocation of its products.

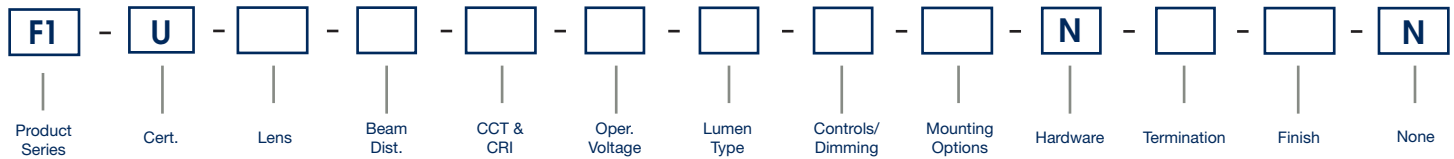
ProSite LED Floodlight - Non-Hazardous F1 Models



Project Information	
Part Number:	
Project:	
Fixture Type:	Date:

Specifications

Ordering Information



Product Series	CCT & CRI	Controls/Dimming	Termination
F1 ProSite Floodlight F1 Model	B Cool White 5000K - 70 CRI	D 0-10V / DALI	U 6mm ² Terminal Block - Screw Down*
	L Neutral White 4000K - 70 CRI	J Dialight IntelliLED Wireless Controls 2.4GHz	V 4mm ² Terminal Block - Push Down
	U Warm White 2200K - 70 CRI*	S Receptacle with Shorting Cap	
	W Warm White 2700K - 80 CRI*		
	*Lumen output decreases for warm white CCT options. Refer to lumen table on pages 14-15 for accurate values.		*The 6mm ² terminals are only for the incoming power connections. The 6mm ² terminals are single pole and cannot be used for 'through' wiring. The 6mm ² terminals are not available for 347-480V models.
Certification	Operating Voltage	Mounting Options*	Finish
U UL 1598/A / CSA	2 120-277VAC / 120-250VDC	E 316 SS Angled Bracket	G Gray (RAL 7040)
	5 347-480 VAC	F 316 SS Straight Bracket	Z Bronze (RAL 7022)
	8 120-277VAC / 120-250VDC 10kA surge	S Slipfitter (1-1/4" - 2-3/8" OD)	
	9 347-480 VAC 10kA surge	* All brackets with 7.5° tilt adjustment	
			None
			N No Options
Beam Distribution	Lumen Type*	Hardware	
4 NEMA 4	B 12,000 Lumens	N No Option	
6 NEMA 6	C 18,000 Lumens		
7 NEMA 7x6	E 24,000 Lumens		
F Asymmetric*	F 30,000 Lumens		
J Asymmetric Wide			

*Lens option 4 and 7 is not available for asymmetric wide optic

*For Asymmetric beam distribution either a PC or Glass lens cover must be included

WARNING - INSTALLATION & SECONDARY RETENTION. Use of any Dialight products without proper installation (including secondary retention / netting) and periodic inspections could cause severe injury or death. Dialight recommends that all installations should use secondary retention / netting (appropriate to the installation environment) where applicable. It is the exclusive responsibility of the contractor, installer and/or end-user to: (a) determine the suitability of the product for its intended application; and, (b) ensure that the product is safely installed (with secondary retention / netting where appropriate) and in compliance with all applicable laws and regulations. To the extent permissible under applicable laws, Dialight disclaims all liability for personal injury and/or other damage resulting from any dislodgment or other dislocation of its products.

Ordering Information - F1

ProSite LED Floodlight - Non-Hazardous



Industrial - UL 1598 / CSA							
Part Number	Fixture Lumens	Wattage	lm/W	Voltage	CCT	Lens	Beam Distribution
12,000lm Models							
F1U-N7B2-BDEN-VGN	13,200	81	163	120-277VAC / 120-250VDC	5000k (cool white)	Integrated PC	NEMA 7x6
F1U-N6B2-BDEN-VGN	13,200	81	163	120-277VAC / 120-250VDC	5000k (cool white)	Integrated PC	NEMA 6
F1U-N4B2-BDEN-VGN	13,200	81	163	120-277VAC / 120-250VDC	5000k (cool white)	Integrated PC	NEMA 4
F1U-N7B5-BDEN-VGN	13,200	84	158	347-480VAC	5000k (cool white)	Integrated PC	NEMA 7x6
F1U-N6B5-BDEN-VGN	13,200	84	158	347-480VAC	5000k (cool white)	Integrated PC	NEMA 6
F1U-N4B5-BDEN-VGN	13,200	84	158	347-480VAC	5000k (cool white)	Integrated PC	NEMA 4
18,000lm Models							
F1U-N7B2-CDEN-VGN	19,100	124	154	120-277VAC / 120-250VDC	5000k (cool white)	Integrated PC	NEMA 7x6
F1U-N6B2-CDEN-VGN	19,100	124	154	120-277VAC / 120-250VDC	5000k (cool white)	Integrated PC	NEMA 6
F1U-N4B2-CDEN-VGN	19,100	124	154	120-277VAC / 120-250VDC	5000k (cool white)	Integrated PC	NEMA 4
F1U-N7B5-CDEN-VGN	19,100	128	149	347-480VAC	5000k (cool white)	Integrated PC	NEMA 7x6
F1U-N6B5-CDEN-VGN	19,100	128	149	347-480VAC	5000k (cool white)	Integrated PC	NEMA 6
F1U-N4B5-CDEN-VGN	19,100	128	149	347-480VAC	5000k (cool white)	Integrated PC	NEMA 4
24,000lm Models							
F1U-N7B2-EDEN-VGN	25,000	175	143	120-277VAC / 120-250VDC	5000k (cool white)	Integrated PC	NEMA 7x6
F1U-N6B2-EDEN-VGN	25,000	175	143	120-277VAC / 120-250VDC	5000k (cool white)	Integrated PC	NEMA 6
F1U-N4B2-EDEN-VGN	25,000	175	143	120-277VAC / 120-250VDC	5000k (cool white)	Integrated PC	NEMA 4
F1U-N7B5-EDEN-VGN	25,000	179	140	347-480VAC	5000k (cool white)	Integrated PC	NEMA 7x6
F1U-N6B5-EDEN-VGN	25,000	179	140	347-480VAC	5000k (cool white)	Integrated PC	NEMA 6
F1U-N4B5-EDEN-VGN	25,000	179	140	347-480VAC	5000k (cool white)	Integrated PC	NEMA 4
30,000lm Models							
F1U-N7B2-FDEN-VGN	31,600	234	135	120-277VAC / 120-250VDC	5000k (cool white)	Integrated PC	NEMA 7x6
F1U-N6B2-FDEN-VGN	31,600	234	135	120-277VAC / 120-250VDC	5000k (cool white)	Integrated PC	NEMA 6
F1U-N4B2-FDEN-VGN	31,600	234	135	120-277VAC / 120-250VDC	5000k (cool white)	Integrated PC	NEMA 4
F1U-N7B5-FDEN-VGN	31,600	237	133	347-480VAC	5000k (cool white)	Integrated PC	NEMA 7x6
F1U-N6B5-FDEN-VGN	31,600	237	133	347-480VAC	5000k (cool white)	Integrated PC	NEMA 6
F1U-N4B5-FDEN-VGN	31,600	237	133	347-480VAC	5000k (cool white)	Integrated PC	NEMA 4

All values typical unless otherwise stated (tolerance +/- 10%).

See ordering information chart for additional options.

Part numbers listed in **bold** are typically available in stock.

Mounting Bracket - Angled Bracket supplied as standard.

DISCLAIMER. All product information provided is, to the best of Dialight's knowledge, accurate as of the date of publication. When ordering, refer to www.dialight.com for current versions of: (a) relevant product documentation (including the relevant product data sheets); (b) Dialight terms and conditions of sale; and, (c) the relevant product warranty. To the extent that any contract is deemed formed between Dialight and the purchaser of Dialight products and/or an end-user, versions of documents available at www.dialight.com as at the date of sale shall be the versions incorporated therein. In the event of any discrepancy between this document or information provided at www.dialight.com, the latter shall prevail.



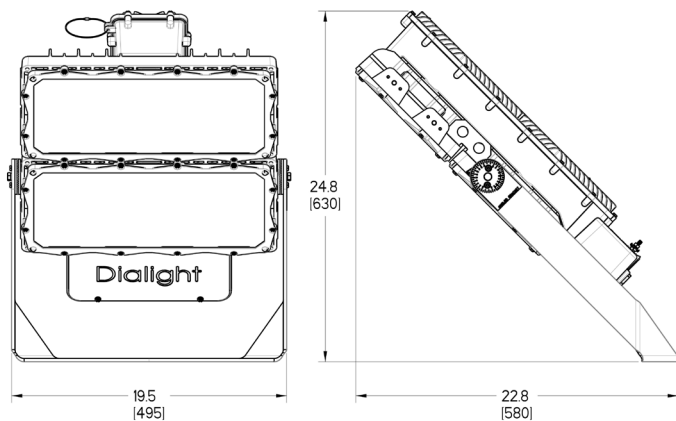
ProSite LED Floodlight - Non-Hazardous F2 Models



Certifications & Ratings

- 10 year warranty
- UL 1598/A / CSA C22.2 No. 250.0 / NOM ANC2101A00007376-(1-3)
- IP66/67, NEMA 4X
- ABS
- IK10 - Integrated PC optic only
- IK10 - Polycarbonate lens
- IK08 - Glass lens L70 > 150,000 hours @ 25°C ambient
- DLC/DLC Premium - selected models

Angled Bracket



Dimensions in inches [mm]
Additional dimensional drawings on pages 21-22

Temperature Ratings

Ambient Temperature T-Code: T4	Ambient Temperature T-Code: T4A
-40°F to +149°F (-40°C to +65°C)	-40°F to +131°F (-40°C to +55°C)

Mechanical Information:

Fixture weight:	43 - 54 lbs
Shipping weight:	~56 lbs
EPA (sq. ft):	3.33
Mounting:	316 stainless steel straight bracket 316 stainless steel angled bracket
Cable entry:	2 x 3/4" NPT

Electrical Specifications:

Operating voltage:	120-277VAC / 120-250VDC 347-480 VAC
Operating temp:	-40°F to +149°F (-40°C to +65°C) -40°F to +131°F (-40°C to +55°C) - 60klm
EMC:	Emissions: FCC Title 47 CFR Part 15 Subpart B, Class A Flicker: IEC 61000-3-3 Immunity requirements for lighting: IEC 61547 Harmonics: IEC 61000-3-2 Class C
Transient protection:	IEC 61000-4-5. 6kV line-line and line-ground. Optional: Additional surge protection module rated for 10kA, 20kA single strike
THD:	< 20%
Power Factor:	> 0.9
Dimming:	DALI 2.0 compatible/0-10 VDC Optional wireless dimming via Dialight IntelliLED controls (up to 36klm only)

Construction:

Housing:	A360 Die-cast aluminum
Hardware:	316 stainless steel
Finish:	Superior epoxy and polyester dual coat finish
Lens:	Integrated PC Optic/Lens, Glass Lens Cover, PC Lens Cover

Photometric Information:

CRI:	70 (80 optional)
CCT:	5000K (cool white) 4000K (neutral white) 2200K (warm white) 2700K (warm white) - 80 CRI

Beam pattern:	NEMA 4 NEMA 6 NEMA 7x6 Asymmetric Asymmetric Wide
----------------------	---

IES files: Available at www.dialight.com

All values typical unless otherwise stated (tolerance +/- 10%)

WARNING - INSTALLATION & SECONDARY RETENTION. Use of any Dialight products without proper installation (including secondary retention / netting) and periodic inspections could cause severe injury or death. Dialight recommends that all installations should use secondary retention / netting (appropriate to the installation environment) where applicable. It is the exclusive responsibility of the contractor, installer and/or end-user to: (a) determine the suitability of the product for its intended application; and, (b) ensure that the product is safely installed (with secondary retention / netting where appropriate) and in compliance with all applicable laws and regulations. To the extent permissible under applicable laws, Dialight disclaims all liability for personal injury and/or other damage resulting from any dislodgment or other dislocation of its products.

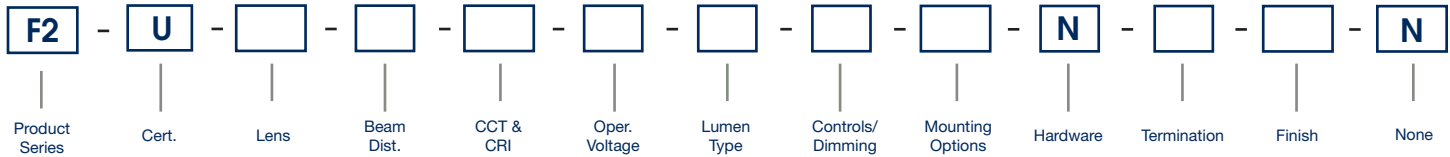
ProSite LED Floodlight - Non-Hazardous F2 Models



Project Information	
Part Number:	
Project:	
Fixture Type:	Date:

Specifications

Ordering Information



Product Series	CCT & CRI	Controls/Dimming	Termination
F2 ProSite Floodlight F2 Model	B Cool White 5000K - 70 CRI	D 0-10V / DALI as standard	U 6mm ² Terminal Block - Screw Down*
	L Neutral White 4000K - 70 CRI	J Dialight IntelliLED Wireless Controls 2.4GHz (Available up to 36km models)	V 4mm ² Terminal Block - Push Down
	U Warm White 2200K - 70 CRI*	S Receptacle with Shorting Cap	
	W Warm White 2700K - 80 CRI*		
	*Lumen output decreases for warm white CCT options. Refer to lumen table on pages 14-15 for accurate values.		
Certification	Operating Voltage	Mounting Options*	Finish
U UL 1598/A / CSA	2 120-277VAC / 120-250VDC	E 316 SS Angled Bracket	G Gray (RAL 7040)
	5 347-480 VAC	F 316 SS Straight Bracket	Z Bronze (RAL 7022)
	8 120-277VAC / 120-250VDC 10kA surge	* All brackets with 7.5° tilt adjustment	
	9 347-480 VAC 10kA surge		
Lens*	Lumen Type*	Hardware	Battery
N Integrated PC Optic/Lens Only	F 30,000 Lumens	N No Option	N No Options
4 PC Lens Cover	H 36,000 Lumens		
7 Glass Lens Cover	L 48,000 Lumens		
*Lens option 4 and 7 is not available for asymmetric wide optic			
Beam Distribution	N 60,000 Lumens		
4 NEMA 4			
6 NEMA 6			
7 NEMA 7x6			
F Asymmetric*			
J Asymmetric Wide			

*For Asymmetric beam distribution either a PC or Glass lens cover must be included

WARNING - INSTALLATION & SECONDARY RETENTION. Use of any Dialight products without proper installation (including secondary retention / netting) and periodic inspections could cause severe injury or death. Dialight recommends that all installations should use secondary retention / netting (appropriate to the installation environment) where applicable. It is the exclusive responsibility of the contractor, installer and/or end-user to: (a) determine the suitability of the product for its intended application; and, (b) ensure that the product is safely installed (with secondary retention / netting where appropriate) and in compliance with all applicable laws and regulations. To the extent permissible under applicable laws, Dialight disclaims all liability for personal injury and/or other damage resulting from any dislodgment or other dislocation of its products.

Ordering Information - F2

ProSite LED Floodlight - Non-Hazardous



Industrial - UL 1598 / CSA							
Part Number	Fixture Lumens	Wattage	lm/W	Voltage	CCT	Lens	Beam Distribution
36,000lm Models							
F2U-N7B2-HDEN-VGN	37,500	234	160	120-277VAC / 120-250VDC	5000k (cool white)	Integrated PC	NEMA 7x6
F2U-N6B2-HDEN-VGN	37,500	234	160	120-277VAC / 120-250VDC	5000k (cool white)	Integrated PC	NEMA 6
F2U-N4B2-HDEN-VGN	37,500	234	160	120-277VAC / 120-250VDC	5000k (cool white)	Integrated PC	NEMA 4
F2U-N7B5-HDEN-VGN	37,500	241	155	347-480VAC	5000k (cool white)	Integrated PC	NEMA 7x6
F2U-N6B5-HDEN-VGN	37,500	241	155	347-480VAC	5000k (cool white)	Integrated PC	NEMA 6
F2U-N4B5-HDEN-VGN	37,500	241	155	347-480VAC	5000k (cool white)	Integrated PC	NEMA 4
48,000lm Models							
F2U-N7B8-LDEN-VGN	51,000	346	147	120-277VAC / 120-250VDC	5000k (cool white)	Integrated PC	NEMA 7x6
F2U-N6B8-LDEN-VGN	51,000	346	147	120-277VAC / 120-250VDC	5000k (cool white)	Integrated PC	NEMA 6
F2U-N4B8-LDEN-VGN	51,000	346	147	120-277VAC / 120-250VDC	5000k (cool white)	Integrated PC	NEMA 4
F2U-N7B9-LDEN-VGN	51,000	357	143	347-480VAC	5000k (cool white)	Integrated PC	NEMA 7x6
F2U-N6B9-LDEN-VGN	51,000	357	143	347-480VAC	5000k (cool white)	Integrated PC	NEMA 6
F2U-N4B9-LDEN-VGN	51,000	357	143	347-480VAC	5000k (cool white)	Integrated PC	NEMA 4
60,000lm Models							
F2U-N7B8-NDEN-VGN	65,000	484	134	120-277VAC / 120-250VDC	5000k (cool white)	Integrated PC	NEMA 7x6
F2U-N6B8-NDEN-VGN	65,000	484	134	120-277VAC / 120-250VDC	5000k (cool white)	Integrated PC	NEMA 6
F2U-N4B8-NDEN-VGN	65,000	484	134	120-277VAC / 120-250VDC	5000k (cool white)	Integrated PC	NEMA 4
F2U-7FB8-NDEN-VGN	60,100	484	124	120-277VAC / 120-250VDC	5000k (cool white)	Glass	Asymmetric
F2U-N7B9-NDEN-VGN	65,000	499	130	347-480VAC	5000k (cool white)	Integrated PC	NEMA 7x6
F2U-N6B9-NDEN-VGN	65,000	499	130	347-480VAC	5000k (cool white)	Integrated PC	NEMA 6
F2U-N4B9-NDEN-VGN	65,000	499	130	347-480VAC	5000k (cool white)	Integrated PC	NEMA 4
F2U-7FB9-NDEN-VGN	60,100	499	120	347-480VAC	5000k (cool white)	Glass	Asymmetric

All values typical unless otherwise stated (tolerance +/- 10%).

See ordering information chart for additional options.

Part numbers listed in **bold** are typically available in stock.

Mounting Bracket - Angled Bracket supplied as standard.

ProSite LED Floodlight - Hazardous

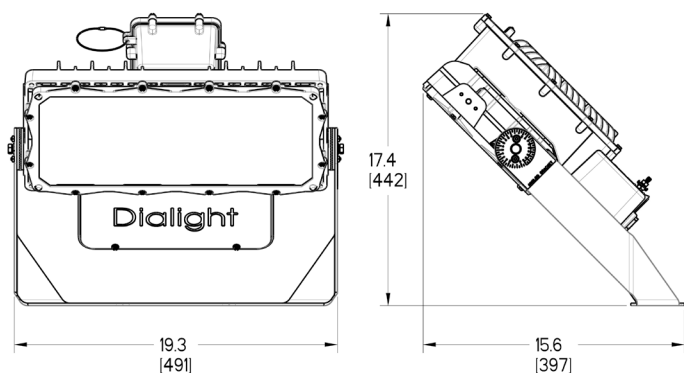
F1 Models



Certifications & Ratings

- 10 year warranty
- UL 844 / CSA C22.2 No. 137
 - Class I, Division 2 (Groups A, B, C, D)
 - Class I, Zone 2 (Groups IIC)
 - Class II, Division 1 (Groups E, F, G) - up to 18k lumen models
 - Class II, Division 2 (Groups F, G)
 - Zone 20, 21 & 22
 - Class III
- IP66/67, NEMA 4X
- ABS
- IK10 - Polycarbonate lens
- IK08 - Glass lens
- L70 > 150,000 hours @ 25°C ambient
- DLC/DLC Premium - selected models

Angled Bracket



Mechanical Information:

Fixture weight:	24 - 30 lbs
Shipping weight:	~32 lbs
EPA (sq. ft):	2.00
Mounting:	316 stainless steel straight bracket (all with 7.5° tilt adjustment) 316 stainless steel angled bracket Slipfitter bracket
Cable entry:	2 x 3/4" NPT

Electrical Specifications:

Operating voltage:	120-277VAC / 120-250VDC 347-480 VAC
Operating temp:	-40°F to +149°F (-40°C to +65°C)
EMC:	Emissions: FCC Title 47 CFR Part 15 Subpart B, Class A Flicker: IEC 61000-3-3 Immunity requirements for lighting: IEC 61547 Harmonics: IEC 61000-3-2 Class C
Transient protection:	IEC 61000-4-5. 6kV line-line and line-ground.
THD:	< 20%
Power Factor:	> 0.9
Dimming:	DALI 2.0 compatible/0-10 VDC

Construction:

Housing:	A360 Die-cast aluminum
Hardware:	316 stainless steel
Finish:	Superior epoxy and polyester dual coat finish
Lens:	Glass, Polycarbonate

Photometric Information:

CRI:	70 (80 optional)
CCT:	5000K (cool white) 4000K (neutral white) 2200K (warm white) 2700K (warm white) - 80 CRI
Beam pattern:	NEMA 4 NEMA 6 NEMA 7x6 Asymmetric
IES files:	Available at www.dialight.com

All values typical unless otherwise stated (tolerance +/- 10%)

Temperature Ratings

Ambient Temperature T-Code: T4	Ambient Temperature T-Code: T4A
-40°F to +149°F (-40°C to +65°C)	-40°F to +131°F (-40°C to +55°C)

WARNING - INSTALLATION & SECONDARY RETENTION. Use of any Dialight products without proper installation (including secondary retention / netting) and periodic inspections could cause severe injury or death. Dialight recommends that all installations should use secondary retention / netting (appropriate to the installation environment) where applicable. It is the exclusive responsibility of the contractor, installer and/or end-user to: (a) determine the suitability of the product for its intended application; and, (b) ensure that the product is safely installed (with secondary retention / netting where appropriate) and in compliance with all applicable laws and regulations. To the extent permissible under applicable laws, Dialight disclaims all liability for personal injury and/or other damage resulting from any dislodgment or other dislocation of its products.

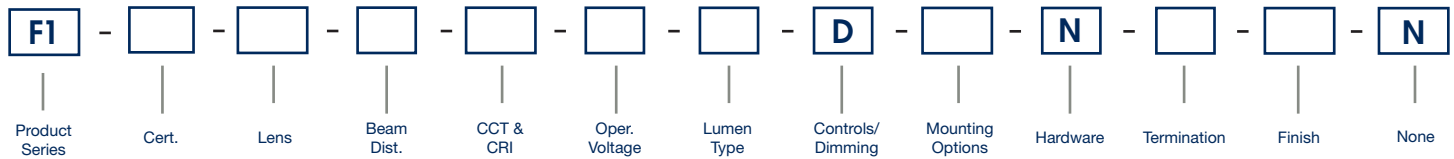
ProSite LED Floodlight - Hazardous F1 Models



Project Information	
Part Number:	
Project:	
Fixture Type:	Date:

Specifications

Ordering Information



Product Series

F1 ProSite Floodlight F1 Model

Certification

D UL 844 CID2, CIID2, CIII
F UL 844 CIID1, CID2, CIID2, CIII (up to 18k lm models)

Lens

4 PC Lens Cover
7 Glass Lens Cover

Beam Distribution

4 NEMA 4
6 NEMA 6
7 NEMA 7x6
F Asymmetric

CCT & CRI

B Cool White 5000K - 70 CRI
L Neutral White 4000K - 70 CRI
U Warm White 2200K - 70 CRI*
W Warm White 2700K - 80 CRI*

*Lumen output decreases for warm white CCT options. Refer to lumen table on pages 14-15 for accurate values.

Operating Voltage

2 120-277VAC / 120-250VDC
5 347-480 VAC

Lumen Type*

B 12,000 Lumens
C 18,000 Lumens
E 24,000 Lumens
F 30,000 Lumens

Controls/Dimming

D 0-10V / DALI

Mounting Options**

E 316 SS Angled Bracket
F 316 SS Straight Bracket
S Slipfitter (1-1/4" - 2-3/8" OD)*

*For Slipfitter mounting UL844 models are only rated up to CID2 (A, B, C & D)
**All brackets with 7.5° tilt adjustment

Hardware

N No Option

Termination

U 6mm² Terminal Block - Screw Down*
V 4mm² Terminal Block - Push Down

*The 6mm² terminals are only for the incoming power connections. The 6mm² terminals are single pole and cannot be used for 'through' wiring. The 6mm² terminals are not available for 347-480V models.

Finish

G Gray (RAL 7040)
Z Bronze (RAL 7022)

None

N No Options

WARNING - INSTALLATION & SECONDARY RETENTION. Use of any Dialight products without proper installation (including secondary retention / netting) and periodic inspections could cause severe injury or death. Dialight recommends that all installations should use secondary retention / netting (appropriate to the installation environment) where applicable. It is the exclusive responsibility of the contractor, installer and/or end-user to: (a) determine the suitability of the product for its intended application; and, (b) ensure that the product is safely installed (with secondary retention / netting where appropriate) and in compliance with all applicable laws and regulations. To the extent permissible under applicable laws, Dialight disclaims all liability for personal injury and/or other damage resulting from any dislodgment or other dislocation of its products.



Ordering Information - F1

ProSite LED Floodlight - Hazardous

Hazardous - UL844 CID2, CIID2, CIII							
Part Number	Fixture Lumens	Wattage	lm/W	Voltage	CCT	Lens	Beam Distribution
12,000lm Models							
F1D-77B2-BDEN-VGN	12,500	81	154	120-277VAC / 120-250VDC	5000k (cool white)	Glass	NEMA 7x6
F1D-76B2-BDEN-VGN	12,500	81	154	120-277VAC / 120-250VDC	5000k (cool white)	Glass	NEMA 6
F1D-74B2-BDEN-VGN	12,500	81	154	120-277VAC / 120-250VDC	5000k (cool white)	Glass	NEMA 4
F1D-77B5-BDEN-VGN	12,500	84	150	347-480VAC	5000k (cool white)	Glass	NEMA 7x6
F1D-76B5-BDEN-VGN	12,500	84	150	347-480VAC	5000k (cool white)	Glass	NEMA 6
F1D-74B5-BDEN-VGN	12,500	84	150	347-480VAC	5000k (cool white)	Glass	NEMA 4
18,000lm Models							
F1D-77B2-CDEN-VGN	18,000	124	145	120-277VAC / 120-250VDC	5000k (cool white)	Glass	NEMA 7x6
F1D-76B2-CDEN-VGN	18,000	124	145	120-277VAC / 120-250VDC	5000k (cool white)	Glass	NEMA 6
F1D-74B2-CDEN-VGN	18,000	124	145	120-277VAC / 120-250VDC	5000k (cool white)	Glass	NEMA 4
F1D-77B5-CDEN-VGN	18,000	128	141	347-480VAC	5000k (cool white)	Glass	NEMA 7x6
F1D-76B5-CDEN-VGN	18,000	128	141	347-480VAC	5000k (cool white)	Glass	NEMA 6
F1D-74B5-CDEN-VGN	18,000	128	141	347-480VAC	5000k (cool white)	Glass	NEMA 4
24,000lm Models							
F1D-77B2-EDEN-VGN	23,600	175	135	120-277VAC / 120-250VDC	5000k (cool white)	Glass	NEMA 7x6
F1D-76B2-EDEN-VGN	23,600	175	135	120-277VAC / 120-250VDC	5000k (cool white)	Glass	NEMA 6
F1D-74B2-EDEN-VGN	23,600	175	135	120-277VAC / 120-250VDC	5000k (cool white)	Glass	NEMA 4
F1D-77B5-EDEN-VGN	23,600	179	132	347-480VAC	5000k (cool white)	Glass	NEMA 7x6
F1D-76B5-EDEN-VGN	23,600	179	132	347-480VAC	5000k (cool white)	Glass	NEMA 6
F1D-74B5-EDEN-VGN	23,600	179	132	347-480VAC	5000k (cool white)	Glass	NEMA 4
30,000lm Models							
F1D-77B2-FDEN-VGN	29,900	234	128	120-277VAC / 120-250VDC	5000k (cool white)	Glass	NEMA 7x6
F1D-76B2-FDEN-VGN	29,900	234	128	120-277VAC / 120-250VDC	5000k (cool white)	Glass	NEMA 6
F1D-74B2-FDEN-VGN	29,900	234	128	120-277VAC / 120-250VDC	5000k (cool white)	Glass	NEMA 4
F1D-77B5-FDEN-VGN	29,900	237	126	347-480VAC	5000k (cool white)	Glass	NEMA 7x6
F1D-76B5-FDEN-VGN	29,900	237	126	347-480VAC	5000k (cool white)	Glass	NEMA 6
F1D-74B5-FDEN-VGN	29,900	237	126	347-480VAC	5000k (cool white)	Glass	NEMA 4
Hazardous - UL844 CIID1							
12,000lm Models							
F1F-77B2-BDEN-VGN	12,500	81	154	120-277VAC / 120-250VDC	5000k (cool white)	Glass	NEMA 7x6
F1F-76B2-BDEN-VGN	12,500	81	154	120-277VAC / 120-250VDC	5000k (cool white)	Glass	NEMA 6
F1F-74B2-BDEN-VGN	12,500	81	154	120-277VAC / 120-250VDC	5000k (cool white)	Glass	NEMA 4
F1F-77B5-BDEN-VGN	12,500	84	150	347-480VAC	5000k (cool white)	Glass	NEMA 7x6
F1F-76B5-BDEN-VGN	12,500	84	150	347-480VAC	5000k (cool white)	Glass	NEMA 6
F1F-74B5-BDEN-VGN	12,500	84	150	347-480VAC	5000k (cool white)	Glass	NEMA 4
18,000lm Models							
F1F-77B2-CDEN-VGN	18,000	124	145	120-277VAC / 120-250VDC	5000k (cool white)	Glass	NEMA 7x6
F1F-76B2-CDEN-VGN	18,000	124	145	120-277VAC / 120-250VDC	5000k (cool white)	Glass	NEMA 6
F1F-74B2-CDEN-VGN	18,000	124	145	120-277VAC / 120-250VDC	5000k (cool white)	Glass	NEMA 4
F1F-77B5-CDEN-VGN	18,000	128	141	347-480VAC	5000k (cool white)	Glass	NEMA 7x6
F1F-76B5-CDEN-VGN	18,000	128	141	347-480VAC	5000k (cool white)	Glass	NEMA 6
F1F-74B5-CDEN-VGN	18,000	128	141	347-480VAC	5000k (cool white)	Glass	NEMA 4

All values typical unless otherwise stated (tolerance +/- 10%)
See previous page notes and warranty information.



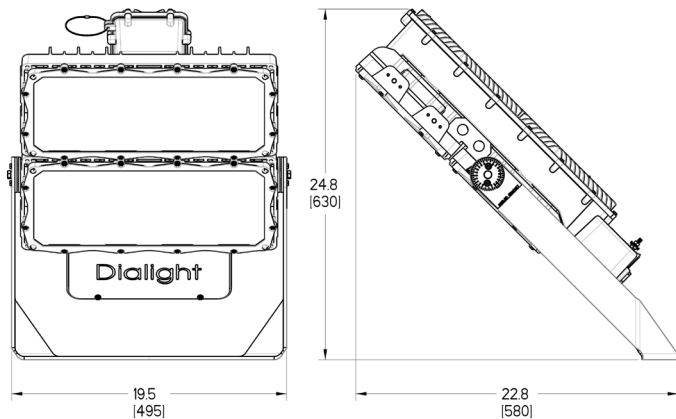
ProSite LED Floodlight - Hazardous F2 Models



Certifications & Ratings

- 10 year warranty
- UL 844 / CSA C22.2 No. 137
 - Class I, Division 2 (Groups A, B, C, D)
 - Class I, Zone 2 (Groups IIC)
 - Class II, Division 1 (Groups E, F, G) - up to 36k lumen models
 - Class II, Division 2 (Groups F, G)
 - Zone 20, 21 & 22
 - Class III
- IP66/67, NEMA 4X
- ABS
- IK10 - Polycarbonate lens
- IK08 - Glass lens
- L70 > 150,000 hours @ 25°C ambient
- DLC/DLC Premium - selected models

Angled Bracket



Dimensions in inches [mm]
Additional dimensional drawings on pages 21-22

Mechanical Information:

Fixture weight:	43 - 54 lbs
Shipping weight:	~56 lbs
EPA (sq. ft):	3.33
Mounting:	316 stainless steel straight bracket (all with 7.5° tilt adjustment) 316 stainless steel angled bracket
Cable entry:	2 x 3/4" NPT

Electrical Specifications:

Operating voltage:	120-277VAC / 120-250VDC 347-480 VAC
Operating temp:	-40°F to +149°F (-40°C to +65°C) -40°F to +131°F (-40°C to +55°C) - 60klm

EMC:	Emissions: FCC Title 47 CFR Part 15 Subpart B, Class A Flicker: IEC 61000-3-3 Immunity requirements for lighting: IEC 61547 Harmonics: IEC 61000-3-2 Class C
------	---

Transient protection:	IEC 61000-4-5. 6kV line-line and line-ground.
-----------------------	---

THD:	< 20%
------	-------

Power Factor:	> 0.9
---------------	-------

Dimming:	DALI 2.0 compatible/0-10 VDC
----------	------------------------------

Construction:

Housing:	A360 Die-cast aluminum
Hardware:	316 stainless steel
Finish:	Superior epoxy and polyester dual coat finish
Lens:	Glass, Polycarbonate

Photometric Information:

CRI:	70 (80 optional)
CCT:	5000K (cool white) 4000K (neutral white) 2200K (warm white) 2700K (warm white) - 80 CRI

Beam pattern:	NEMA 4 NEMA 6 NEMA 7x6 Asymmetric
---------------	--

IES files:	Available at www.dialight.com
------------	---

All values typical unless otherwise stated (tolerance +/- 10%)

Temperature Ratings

Ambient Temperature T-Code: T4	Ambient Temperature T-Code: T4A
-40°F to +149°F (-40°C to +65°C)	-40°F to +131°F (-40°C to +55°C)

WARNING - INSTALLATION & SECONDARY RETENTION. Use of any Dialight products without proper installation (including secondary retention / netting) and periodic inspections could cause severe injury or death. Dialight recommends that all installations should use secondary retention / netting (appropriate to the installation environment) where applicable. It is the exclusive responsibility of the contractor, installer and/or end-user to: (a) determine the suitability of the product for its intended application; and, (b) ensure that the product is safely installed (with secondary retention / netting where appropriate) and in compliance with all applicable laws and regulations. To the extent permissible under applicable laws, Dialight disclaims all liability for personal injury and/or other damage resulting from any dislodgment or other dislocation of its products.

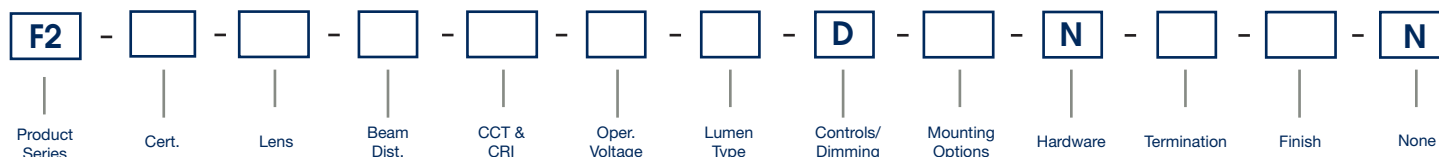
ProSite LED Floodlight - Hazardous

F2 Models



Project Information			Specifications		
Part Number:					
Project:					
Fixture Type:		Date:			

Ordering Information



Product Series

F2 ProSite Floodlight F2 Model

Certification

D UL 844 CID2, CIID2, CIII
 F UL 844 CIID1, CID2, CIID2, CIII (up to 36k lm models)

Lens

4 PC Lens Cover
 7 Glass Lens Cover

Beam Distribution

4 NEMA 4
 6 NEMA 6
 7 NEMA 7x6
 F Asymmetric

CCT & CRI

B Cool White 5000K - 70 CRI
 L Neutral White 4000K - 70 CRI
 U Warm White 2200K - 70 CRI*
 W Warm White 2700K - 80 CRI*

*Lumen output decreases for warm white CCT options. Refer to lumen table on pages 14-15 for accurate values.

Operating Voltage

2 120-277VAC / 120-250VDC
 5 347-480 VAC

Lumen Type*

F 30,000 Lumens
 H 36,000 Lumens
 L 48,000 Lumens
 N 60,000 Lumens

Controls/Dimming

D 0-10V / DALI as standard

Mounting Options*

E 316 SS Angled Bracket
 F 316 SS Straight Bracket

*All brackets with 7.5° tilt adjustment

Hardware

N No Option

Termination

U 6mm² Terminal Block - Screw Down*
 V 4mm² Terminal Block - Push Down

*The 6mm² terminals are only for the incoming power connections. The 6mm² terminals are single pole and cannot be used for 'through' wiring. The 6mm² terminals are not available for 347-480V models.

Finish

G Gray (RAL 7040)
 Z Bronze (RAL 7022)

Battery

N No Options

WARNING - INSTALLATION & SECONDARY RETENTION. Use of any Dialight products without proper installation (including secondary retention / netting) and periodic inspections could cause severe injury or death. Dialight recommends that all installations should use secondary retention / netting (appropriate to the installation environment) where applicable. It is the exclusive responsibility of the contractor, installer and/or end-user to: (a) determine the suitability of the product for its intended application; and, (b) ensure that the product is safely installed (with secondary retention / netting where appropriate) and in compliance with all applicable laws and regulations. To the extent permissible under applicable laws, Dialight disclaims all liability for personal injury and/or other damage resulting from any dislodgment or other dislocation of its products.

Ordering Information - F2

ProSite LED Floodlight - Hazardous



Hazardous - UL844 CID2, CIID2, CIII							
Part Number	Fixture Lumens	Wattage	lm/W	Voltage	CCT	Lens	Beam Distribution
36,000lm Models							
F2D-77B2-HDEN-VGN	35,400	234	151	120-277VAC / 120-250VDC	5000k (cool white)	Glass	NEMA 7x6
F2D-76B2-HDEN-VGN	35,400	234	151	120-277VAC / 120-250VDC	5000k (cool white)	Glass	NEMA 6
F2D-74B2-HDEN-VGN	35,400	234	151	120-277VAC / 120-250VDC	5000k (cool white)	Glass	NEMA 4
F2D-77B5-HDEN-VGN	35,400	241	147	347-480VAC	5000k (cool white)	Glass	NEMA 7x6
F2D-76B5-HDEN-VGN	35,400	241	147	347-480VAC	5000k (cool white)	Glass	NEMA 6
F2D-74B5-HDEN-VGN	35,400	241	147	347-480VAC	5000k (cool white)	Glass	NEMA 4
48,000lm Models							
F2D-77B2-LDEN-VGN	48,200	346	139	120-277VAC / 120-250VDC	5000k (cool white)	Glass	NEMA 7x6
F2D-76B2-LDEN-VGN	48,200	346	139	120-277VAC / 120-250VDC	5000k (cool white)	Glass	NEMA 6
F2D-74B2-LDEN-VGN	48,200	346	139	120-277VAC / 120-250VDC	5000k (cool white)	Glass	NEMA 4
F2D-77B5-LDEN-VGN	48,200	357	135	347-480VAC	5000k (cool white)	Glass	NEMA 7x6
F2D-76B5-LDEN-VGN	48,200	357	135	347-480VAC	5000k (cool white)	Glass	NEMA 6
F2D-74B5-LDEN-VGN	48,200	357	135	347-480VAC	5000k (cool white)	Glass	NEMA 4
60,000lm Models							
F2D-77B2-NDEN-VGN	61,400	484	127	120-277VAC / 120-250VDC	5000k (cool white)	Glass	NEMA 7x6
F2D-76B2-NDEN-VGN	61,400	484	127	120-277VAC / 120-250VDC	5000k (cool white)	Glass	NEMA 6
F2D-74B2-NDEN-VGN	61,400	484	127	120-277VAC / 120-250VDC	5000k (cool white)	Glass	NEMA 4
F2D-77B5-NDEN-VGN	61,400	499	123	347-480VAC	5000k (cool white)	Glass	NEMA 7x6
F2D-76B5-NDEN-VGN	61,400	499	123	347-480VAC	5000k (cool white)	Glass	NEMA 6
F2D-74B5-NDEN-VGN	61,400	499	123	347-480VAC	5000k (cool white)	Glass	NEMA 4
F2D-77B5-NDEN-VGN	60,100	499	120	347-480VAC	5000k (cool white)	Glass	Asymmetric
Hazardous - UL844 CIID1							
Part Number	Fixture Lumens	Wattage	lm/W	Voltage	CCT	Lens	Beam Distribution
30,000lm Models							
F2F-77B2-FDEN-VGN	30,200	200	151	120-277VAC / 120-250VDC	5000k (cool white)	Glass	NEMA 7x6
F2F-76B2-FDEN-VGN	30,200	200	151	120-277VAC / 120-250VDC	5000k (cool white)	Glass	NEMA 6
F2F-74B2-FDEN-VGN	30,200	200	151	120-277VAC / 120-250VDC	5000k (cool white)	Glass	NEMA 4
F2F-77B5-FDEN-VGN	30,200	206	147	347-480VAC	5000k (cool white)	Glass	NEMA 7x6
F2F-76B5-FDEN-VGN	30,200	206	147	347-480VAC	5000k (cool white)	Glass	NEMA 6
F2F-74B5-FDEN-VGN	30,200	206	147	347-480VAC	5000k (cool white)	Glass	NEMA 4
36,000lm Models							
F2F-77B2-HDEN-VGN	35,400	234	151	120-277VAC / 120-250VDC	5000k (cool white)	Glass	NEMA 7x6
F2F-76B2-HDEN-VGN	35,400	234	151	120-277VAC / 120-250VDC	5000k (cool white)	Glass	NEMA 6
F2F-74B2-HDEN-VGN	35,400	234	151	120-277VAC / 120-250VDC	5000k (cool white)	Glass	NEMA 4
F2F-77B5-HDEN-VGN	35,400	241	147	347-480VAC	5000k (cool white)	Glass	NEMA 7x6
F2F-76B5-HDEN-VGN	35,400	241	147	347-480VAC	5000k (cool white)	Glass	NEMA 6
F2F-74B5-HDEN-VGN	35,400	241	147	347-480VAC	5000k (cool white)	Glass	NEMA 4

All values typical unless otherwise stated (tolerance +/- 10%).
 See ordering information chart for additional options.
 Mounting Bracket - Angled Bracket supplied as standard.

DISCLAIMER. All product information provided is, to the best of Dialight's knowledge, accurate as of the date of publication. When ordering, refer to www.dialight.com for current versions of: (a) relevant product documentation (including the relevant product data sheets); (b) Dialight terms and conditions of sale; and, (c) the relevant product warranty. To the extent that any contract is deemed formed between Dialight and the purchaser of Dialight products and/or an end-user, versions of documents available at www.dialight.com as at the date of sale shall be the versions incorporated therein. In the event of any discrepancy between this document or information provided at www.dialight.com, the latter shall prevail.

Lumen Tables

Lumen Output Family	Wattage (120-277 VAC)	Wattage (347-480 VAC)	Optic	PC Optic Only				Glass Lens				Polycarbonate Lens			
				5000K	4000K	2700K	2200K	5000K	4000K	2700K	2200K	5000K	4000K	2700K	2200K
12,000	81	84	NEMA 4	13,200	13,200	10,200	10,400	12,500	12,500	9,500	9,700	11,700	11,700	8,800	9,000
			NEMA 6	13,200	13,200	10,200	10,400	12,500	12,500	9,500	9,700	11,700	11,700	8,800	9,000
			NEMA 7x6	13,200	13,200	10,200	10,400	12,500	12,500	9,500	9,700	11,700	11,700	8,800	9,000
			Asymmetric	-	-	-	-	11,600	11,600	8,600	8,800	10,800	10,800	7,900	8,100
			Asymmetric Wide	12,300	12,300	9,300	9,500	-	-	-	-	-	-	-	-
18,000	124	128	NEMA 4	19,100	19,100	14,800	15,100	18,000	18,000	13,800	14,000	17,000	17,000	12,700	13,000
			NEMA 6	19,100	19,100	14,800	15,100	18,000	18,000	13,800	14,000	17,000	17,000	12,700	13,000
			NEMA 7x6	19,100	19,100	14,800	15,100	18,000	18,000	13,800	14,000	17,000	17,000	12,700	13,000
			Asymmetric	-	-	-	-	16,700	16,700	12,400	12,700	15,700	15,700	11,400	11,700
			Asymmetric Wide	17,800	17,800	13,500	13,800	-	-	-	-	-	-	-	-
24,000	175	179	NEMA 4	25,000	25,000	19,400	19,800	23,600	23,600	18,000	18,400	22,300	22,300	16,600	17,000
			NEMA 6	25,000	25,000	19,400	19,800	23,600	23,600	18,000	18,400	22,300	22,300	16,600	17,000
			NEMA 7x6	25,000	25,000	19,400	19,800	23,600	23,600	18,000	18,400	22,300	22,300	16,600	17,000
			Asymmetric	-	-	-	-	21,900	21,900	16,300	16,600	20,500	20,500	14,900	15,300
			Asymmetric Wide	23,300	23,300	17,600	18,000	-	-	-	-	-	-	-	-
F1 30,000	234	237	NEMA 4	31,600	31,600	24,500	25,000	29,900	29,900	22,800	23,200	28,100	28,100	21,000	21,500
			NEMA 6	31,600	31,600	24,500	25,000	29,900	29,900	22,800	23,200	28,100	28,100	21,000	21,500
			NEMA 7x6	31,600	31,600	24,500	25,000	29,900	29,900	22,800	23,200	28,100	28,100	21,000	21,500
			Asymmetric	-	-	-	-	27,700	27,700	20,500	21,000	25,900	25,900	18,800	19,300
			Asymmetric Wide	29,400	29,400	22,300	22,800	-	-	-	-	-	-	-	-
F2 30,000	200	206	NEMA 4	32,000	32,000	24,800	25,300	30,200	30,200	23,000	23,500	28,500	28,500	21,300	21,800
			NEMA 6	32,000	32,000	24,800	25,300	30,200	30,200	23,000	23,500	28,500	28,500	21,300	21,800
			NEMA 7x6	32,000	32,000	24,800	25,300	30,200	30,200	23,000	23,500	28,500	28,500	21,300	21,800
			Asymmetric	-	-	-	-	28,000	28,000	20,800	21,300	26,200	26,200	19,000	19,500
			Asymmetric Wide	29,800	29,800	22,600	23,000	-	-	-	-	-	-	-	-

DISCLAIMER. All product information provided is, to the best of Dialight's knowledge, accurate as of the date of publication. When ordering, refer to www.dialight.com for current versions of: (a) relevant product documentation (including the relevant product data sheets); (b) Dialight terms and conditions of sale; and, (c) the relevant product warranty. To the extent that any contract is deemed formed between Dialight and the purchaser of Dialight products and/or an end-user, versions of documents available at www.dialight.com as at the date of sale shall be the versions incorporated therein. In the event of any discrepancy between this document or information provided at www.dialight.com, the latter shall prevail.

Lumen Tables

Lumen Output Family	Wattage (120-277 VAC)	Wattage (347-480 VAC)	Optic	PC Optic Only				Glass Lens				Polycarbonate Lens			
				5000K	4000K	2700K	2200K	5000K	4000K	2700K	2200K	5000K	4000K	2700K	2200K
36,000	234	241	NEMA 4	37,500	37,500	29,100	29,600	35,400	35,400	27,000	27,600	33,400	33,400	24,900	25,500
			NEMA 6	37,500	37,500	29,100	29,600	35,400	35,400	27,000	27,600	33,400	33,400	24,900	25,500
			NEMA 7x6	37,500	37,500	29,100	29,600	35,400	35,400	27,000	27,600	33,400	33,400	24,900	25,500
			Asymmetric	-	-	-	-	32,800	32,800	24,400	24,900	30,800	30,800	22,300	22,900
			Asymmetric Wide	34,900	34,900	26,400	27,000	-	-	-	-	-	-	-	-
48,000	346	357	NEMA 4	51,000	51,000	39,500	40,300	48,200	48,200	36,700	37,500	45,400	45,400	33,900	34,700
			NEMA 6	51,000	51,000	39,500	40,300	48,200	48,200	36,700	37,500	45,400	45,400	33,900	34,700
			NEMA 7x6	51,000	51,000	39,500	40,300	48,200	48,200	36,700	37,500	45,400	45,400	33,900	34,700
			Asymmetric	-	-	-	-	44,600	44,600	33,200	33,900	41,800	41,800	30,300	31,100
			Asymmetric Wide	47,400	47,400	36,000	36,700	-	-	-	-	-	-	-	-
60,000	484	499	NEMA 4	65,000	65,000	50,400	51,400	61,400	61,400	46,800	47,800	57,900	57,900	43,200	44,200
			NEMA 6	65,000	65,000	50,400	51,400	61,400	61,400	46,800	47,800	57,900	57,900	43,200	44,200
			NEMA 7x6	65,000	65,000	50,400	51,400	61,400	61,400	46,800	47,800	57,900	57,900	43,200	44,200
			Asymmetric	-	-	-	-	56,900	56,900	42,300	43,200	53,300	53,300	38,700	39,700
			Asymmetric Wide	60,500	60,500	45,800	46,800	-	-	-	-	-	-	-	-

DISCLAIMER. All product information provided is, to the best of Dialight's knowledge, accurate as of the date of publication. When ordering, refer to www.dialight.com for current versions of: (a) relevant product documentation (including the relevant product data sheets); (b) Dialight terms and conditions of sale; and, (c) the relevant product warranty. To the extent that any contract is deemed formed between Dialight and the purchaser of Dialight products and/or an end-user, versions of documents available at www.dialight.com as at the date of sale shall be the versions incorporated therein. In the event of any discrepancy between this document or information provided at www.dialight.com, the latter shall prevail.

Inrush Current

F1 Models				
VAC	120	277	347	480
Peak inrush current (A)	7.7	17.8	4.1	5.7
Duration, T50 (ms)	1.5	1.5	1.5	1.5
F2 Models (30 - 36klm)				
Peak inrush current (A)	7.7	17.8	4.1	5.7
Duration, T50 (ms)	1.5	1.5	1.5	1.5
F2 Models (48 - 65klm)				
Peak inrush current (A)	15.4	35.6	8.2	11.3
Duration, T50 (ms)	1.5	1.5	1.5	1.5

DISCLAIMER. All product information provided is, to the best of Dialight's knowledge, accurate as of the date of publication. When ordering, refer to www.dialight.com for current versions of: (a) relevant product documentation (including the relevant product data sheets); (b) Dialight terms and conditions of sale; and, (c) the relevant product warranty. To the extent that any contract is deemed formed between Dialight and the purchaser of Dialight products and/or an end-user, versions of documents available at www.dialight.com as at the date of sale shall be the versions incorporated therein. In the event of any discrepancy between this document or information provided at www.dialight.com, the latter shall prevail.

Maximum per Circuit Breaker

120 VAC			
Lumen Output	10 Amp	16 Amp	20 Amp
12,000	9	14	17
18,000	6	9	11
24,000	4	6	8
30,000 F1	3	5	6
30,000F2	4	6	7
36,000	3	5	6
48,000	2	3	4
60,000	1	2	3

277 VAC		
10 Amp	16 Amp	20 Amp
20	32	40
13	21	26
9	15	19
7	11	14
8	13	16
7	11	14
5	8	9
3	5	7
7	12	14
4	6	7

347 VAC			
Lumen Output	10 Amp	16 Amp	20 Amp
12,000	24	39	49
18,000	16	26	32
24,000	11	18	23
30,000 F1	9	14	17
30,000F2	10	16	20
36,000	8	14	17
48,000	6	9	11
60,000	4	7	8

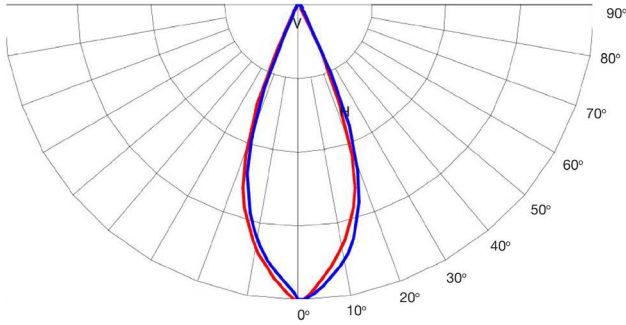
480 VAC		
10 Amp	16 Amp	20 Amp
34	54	67
22	35	44
16	25	32
12	19	24
14	22	27
12	19	23
8	13	16
6	9	11
12	20	25
6	9	12

Dialight recommends using B or C type breakers.
 These tables are based on steady-state input current and nominal breaker current ratings @ 80% derating.

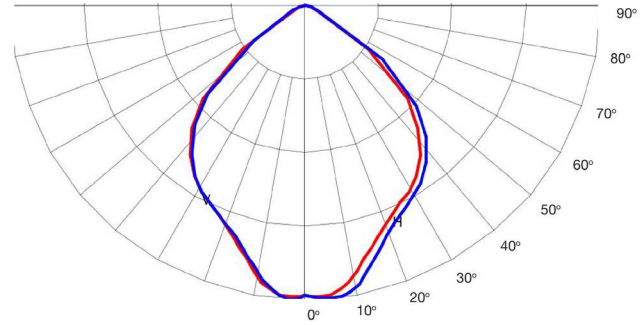
DISCLAIMER. All product information provided is, to the best of Dialight's knowledge, accurate as of the date of publication. When ordering, refer to www.dialight.com for current versions of: (a) relevant product documentation (including the relevant product data sheets); (b) Dialight terms and conditions of sale; and, (c) the relevant product warranty. To the extent that any contract is deemed formed between Dialight and the purchaser of Dialight products and/or an end-user, versions of documents available at www.dialight.com as at the date of sale shall be the versions incorporated therein. In the event of any discrepancy between this document or information provided at www.dialight.com, the latter shall prevail.

Beam Distribution

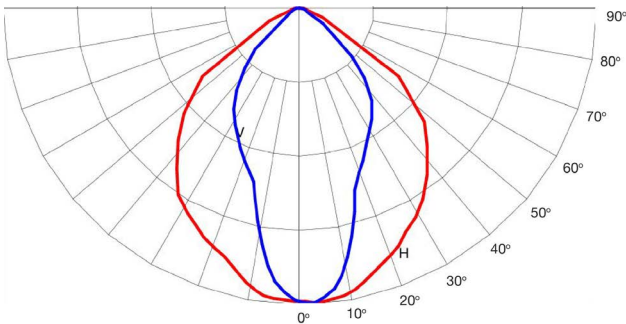
NEMA 4



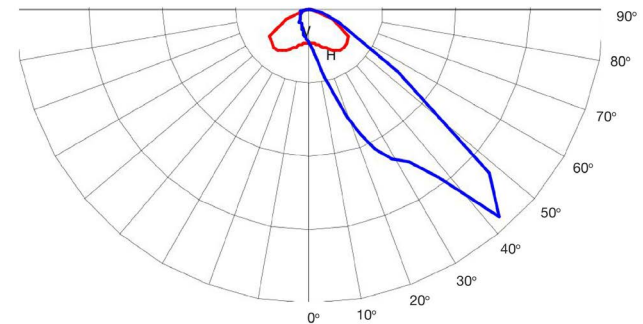
NEMA 6



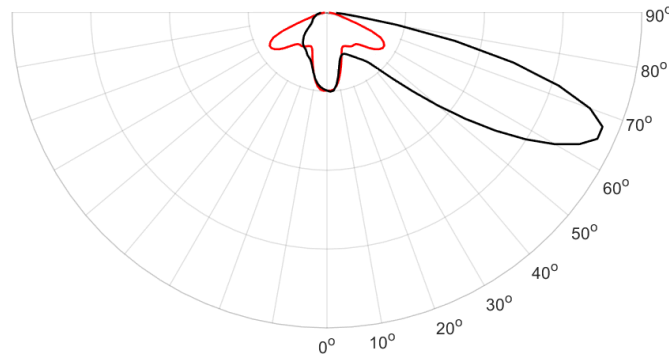
NEMA 7x6



Asymmetric



Asymmetric Wide



DISCLAIMER. All product information provided is, to the best of Dialight's knowledge, accurate as of the date of publication. When ordering, refer to www.dialight.com for current versions of: (a) relevant product documentation (including the relevant product data sheets); (b) Dialight terms and conditions of sale; and, (c) the relevant product warranty. To the extent that any contract is deemed formed between Dialight and the purchaser of Dialight products and/or an end-user, versions of documents available at www.dialight.com as at the date of sale shall be the versions incorporated therein. In the event of any discrepancy between this document or information provided at www.dialight.com, the latter shall prevail.

Lumen Maintenance Factor - F1

F1 Floodlight 12k lm (Hours)									
Ambient	0	15000	30000	45000	60000	75000	90000	100000	150000
25°C	100%	98%	97%	96%	96%	95%	94%	93%	91%
30°C	99%	97%	96%	95%	95%	94%	93%	92%	90%
35°C	98%	96%	96%	95%	95%	94%	93%	92%	90%
40°C	98%	96%	95%	94%	94%	93%	92%	91%	89%
45°C	97%	95%	94%	93%	93%	92%	91%	90%	88%
50°C	96%	94%	94%	93%	93%	92%	91%	90%	88%
55°C	96%	94%	93%	92%	91%	90%	90%	89%	87%
60°C	95%	93%	92%	91%	91%	90%	89%	89%	86%
65°C	94%	92%	92%	91%	90%	89%	88%	88%	85%

F1 Floodlight 30k lm (Hours)									
Ambient	0	15000	30000	45000	60000	75000	90000	100000	150000
25°C	100%	98%	95%	93%	91%	89%	87%	85%	79%
30°C	99%	97%	94%	92%	90%	88%	86%	84%	78%
35°C	98%	96%	93%	91%	89%	87%	85%	83%	77%
40°C	97%	94%	92%	90%	88%	85%	83%	82%	76%
45°C	96%	93%	91%	88%	86%	84%	82%	81%	74%
50°C	94%	92%	90%	87%	85%	83%	81%	79%	72%
55°C	93%	91%	88%	86%	84%	81%	79%	78%	71%
60°C	92%	90%	87%	85%	82%	80%	78%	76%	70%
65°C	91%	88%	86%	84%	81%	79%	77%	75%	68%

DISCLAIMER. All product information provided is, to the best of Dialight's knowledge, accurate as of the date of publication. When ordering, refer to www.dialight.com for current versions of: (a) relevant product documentation (including the relevant product data sheets); (b) Dialight terms and conditions of sale; and, (c) the relevant product warranty. To the extent that any contract is deemed formed between Dialight and the purchaser of Dialight products and/or an end-user, versions of documents available at www.dialight.com as at the date of sale shall be the versions incorporated therein. In the event of any discrepancy between this document or information provided at www.dialight.com, the latter shall prevail.

Lumen Maintenance Factor - F2

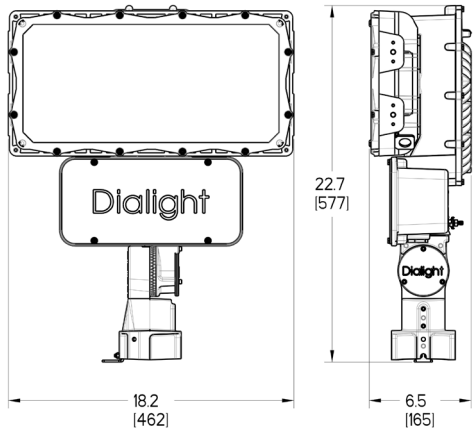
F2 Floodlight 36k lm (Hours)									
Ambient	0	15000	30000	45000	60000	75000	90000	100000	150000
25°C	100%	98%	97%	96%	96%	95%	94%	93%	91%
30°C	99%	97%	96%	96%	95%	94%	93%	93%	90%
35°C	98%	97%	96%	95%	94%	93%	92%	92%	89%
40°C	98%	96%	95%	94%	93%	93%	92%	91%	89%
45°C	97%	95%	94%	94%	93%	92%	91%	91%	88%
50°C	96%	94%	94%	93%	92%	91%	90%	90%	87%
55°C	96%	94%	93%	92%	91%	90%	90%	89%	87%
60°C	95%	93%	92%	91%	91%	90%	89%	88%	86%
65°C	94%	92%	92%	91%	90%	89%	88%	88%	85%

F2 Floodlight 60k lm (Hours)									
Ambient	0	15000	30000	45000	60000	75000	90000	100000	150000
25°C	100%	98%	95%	93%	91%	89%	87%	85%	79%
30°C	99%	96%	94%	92%	90%	88%	86%	84%	78%
35°C	98%	95%	93%	91%	88%	86%	84%	83%	76%
40°C	96%	94%	92%	89%	87%	85%	83%	81%	75%
45°C	95%	93%	90%	88%	86%	83%	81%	80%	73%
50°C	94%	91%	89%	87%	84%	82%	80%	78%	72%
55°C	93%	90%	88%	85%	83%	80%	78%	77%	70%

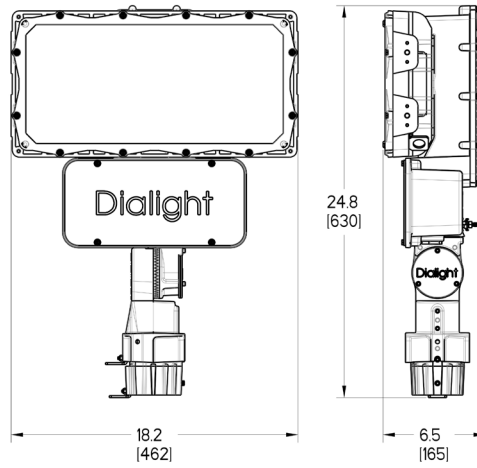
DISCLAIMER. All product information provided is, to the best of Dialight's knowledge, accurate as of the date of publication. When ordering, refer to www.dialight.com for current versions of: (a) relevant product documentation (including the relevant product data sheets); (b) Dialight terms and conditions of sale; and, (c) the relevant product warranty. To the extent that any contract is deemed formed between Dialight and the purchaser of Dialight products and/or an end-user, versions of documents available at www.dialight.com as at the date of sale shall be the versions incorporated therein. In the event of any discrepancy between this document or information provided at www.dialight.com, the latter shall prevail.

Dimensional Drawings

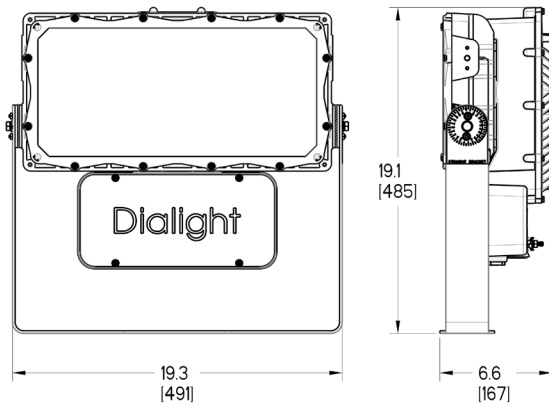
F1 Slipfitter Bracket - UL 1598/A



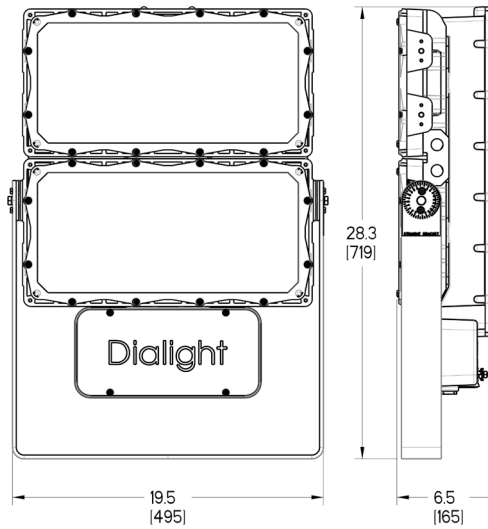
F1 Slipfitter Bracket - UL 844 (CID2 Only)



F1 Straight Bracket



F2 Straight Bracket

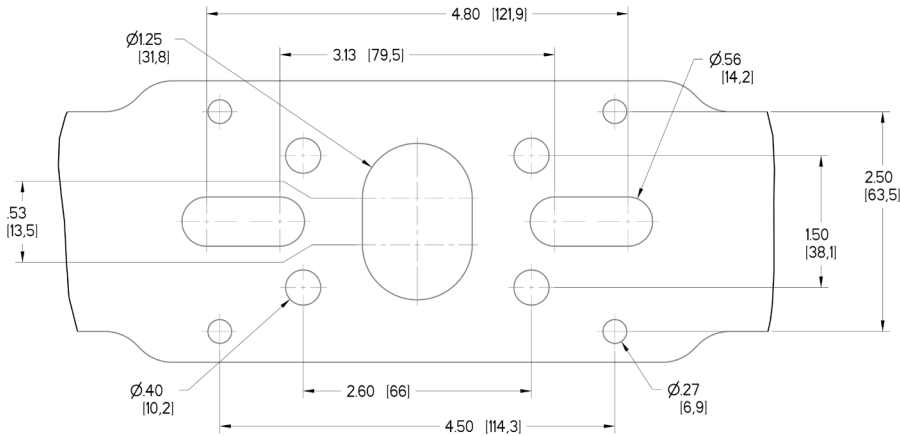


Dimensions in inches [mm]

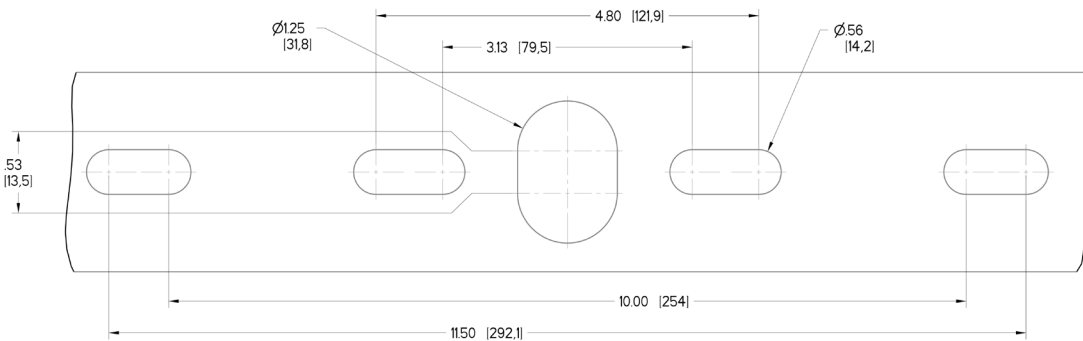
DISCLAIMER. All product information provided is, to the best of Dialight's knowledge, accurate as of the date of publication. When ordering, refer to www.dialight.com for current versions of: (a) relevant product documentation (including the relevant product data sheets); (b) Dialight terms and conditions of sale; and, (c) the relevant product warranty. To the extent that any contract is deemed formed between Dialight and the purchaser of Dialight products and/or an end-user, versions of documents available at www.dialight.com as at the date of sale shall be the versions incorporated therein. In the event of any discrepancy between this document or information provided at www.dialight.com, the latter shall prevail.

Dimensional Drawings

F1 Mounting Bracket

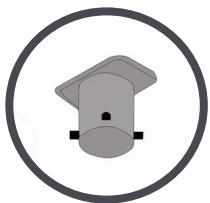


F2 Mounting Bracket



Dimensions in inches [mm]

Mounting Accessories - Gray



FLX-1TPT-20LG¹

- Tenon pole topper, 2-3/8" mount
- Kit includes: Tenon topper, pole set screws



FLX-1RAB-20LG

- Right angle mounting bracket for 2-3/8" light mount
- Kit includes: Right angle bracket

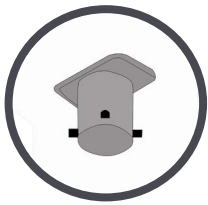


FLX-2LBH-20LG

- Bull horn for 2 lights, 2-3/8" mount, 21" spacing
- Kit includes: Bull horn, pole set screws

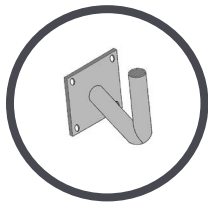
DISCLAIMER. All product information provided is, to the best of Dialight's knowledge, accurate as of the date of publication. When ordering, refer to www.dialight.com for current versions of: (a) relevant product documentation (including the relevant product data sheets); (b) Dialight terms and conditions of sale; and, (c) the relevant product warranty. To the extent that any contract is deemed formed between Dialight and the purchaser of Dialight products and/or an end-user, versions of documents available at www.dialight.com as at the date of sale shall be the versions incorporated therein. In the event of any discrepancy between this document or information provided at www.dialight.com, the latter shall prevail.

Mounting Accessories - Bronze



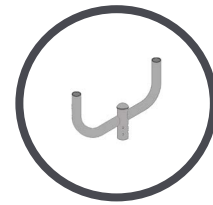
FLX-1TPT-20DB¹

- Tenon pole topper, 2-3/8" mount
- Kit includes: Tenon topper, pole set screws



FLX-1RAB-20DB

- Right angle mounting bracket for 2-3/8" light mount
- Kit includes: Right angle bracket



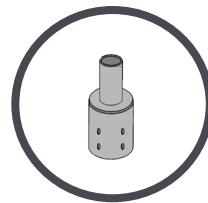
FLX-2LBH-20DB

- Bull horn for 2 lights, 2-3/8" mount, 21" spacing
- Kit includes: Bull horn, pole set screws



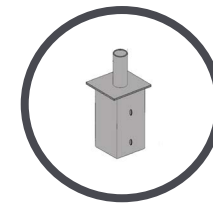
FLX-3LBH-20DB

- Bull horn for 3 lights, 2-3/8" mount, 21" spacing
- Kit includes: Bull horn, pole set screws



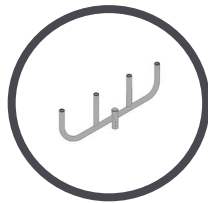
**FLX-3RPA-20DB
FLX-4RPA-20DB**

- Reducer for 3" or 4" OD round pole top to 2-3/8" light mount
- Kit includes: Reducer pole set screws



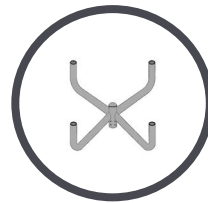
**FLX-4SPA-20DB
FLX-5SPA-20DB
FLX-6SPA-20DB**

- Internal tenon adapter for 4", 5" or 6" square pole top to 2-3/8" light mount
- Kit includes: Adapter



FLX-4LBH-20DB

- Bull horn for 4 lights, 2-3/8" mount, 21" spacing
- Kit includes: Bull horn, pole set screws



FLX-4RBH-20DB

- Bull horn for 4 lights, 2-3/8" mount, 21" spacing
- Kit includes: Bull horn, pole set screws

Mounting accessories shown above are painted steel construction.

Accessories



F1NVISOR

- F1 visor NEMA optics



F2NVISOR

- F2 visor NEMA optics



F2AVISOR

- F2 visor asymmetric optics
- Not suitable for asymmetric wide optic

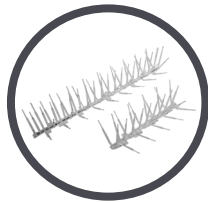


H6XCAB72²

- 72" stainless steel safety rope
- Kit includes: (1) cable

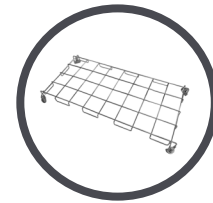
H6XCAB60²

- 60" stainless steel safety rope
- Kit includes: (1) cable



**F1SPIKES
F2SPIKES**

- Bird spikes



FLWG

- Wire guard
- Kit includes (1) assembly

¹Brackets and adapters require the tenon pole topper (FLX-1TPT-20DB/LG) to mount floodlight. Tenon pole topper sold separately.

²F1 models require 1 cable per unit. F2 models require 2 cables per unit.

DISCLAIMER. All product information provided is, to the best of Dialight's knowledge, accurate as of the date of publication. When ordering, refer to www.dialight.com for current versions of: (a) relevant product documentation (including the relevant product data sheets); (b) Dialight terms and conditions of sale; and, (c) the relevant product warranty. To the extent that any contract is deemed formed between Dialight and the purchaser of Dialight products and/or an end-user, versions of documents available at www.dialight.com as at the date of sale shall be the versions incorporated therein. In the event of any discrepancy between this document or information provided at www.dialight.com, the latter shall prevail.

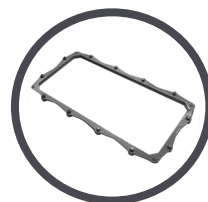
Replacements



- SLPC01R**
- Photocell, 105-305 VAC
- SLPC02R**
- Photocell, 312-382 VAC
- SLPC03R**
- Photocell, 432-528 VAC



- FLWIRELESS**
- Wireless controls card



- FLGLASSLG**
- Glass lens, gray
- FLGLASSLZ**
- Glass lens, bronze
- FLPCLG**
- Polycarb lens, gray
- FLPCLZ**
- Polycarb lens, bronze
- Kit includes (1) assembly



- FL10KV277**
- 10kA surge protection 100-277V
- FL10KV480**
- 10kA surge protection 347-480V

Replacement Power Supplies	
Part Number	Description
F1PS2B	120-277V Power Supply, 12k lm
F1PS2C	120-277V Power Supply, 18k lm
F1PS2E	120-277V Power Supply, 24k lm
F1PS2F	120-277V Power Supply, 30k lm
F2PS2H	120-277V Power Supply, 36k lm
F2PS2L	120-277V Power Supply, 48k lm
F2PS2N	120-277V Power Supply, 60k lm
F1PS5B	347-480V Power Supply, 12k lm
F1PS5C	347-480V Power Supply, 18k lm
F1PS5E	347-480V Power Supply, 24k lm
F1PS5F	347-480V Power Supply, 30k lm
F2PS5H	347-480V Power Supply, 36k lm
F2PS5L	347-480V Power Supply, 48k lm
F2PS5N	347-480V Power Supply, 60k lm

DISCLAIMER. All product information provided is, to the best of Dialight's knowledge, accurate as of the date of publication. When ordering, refer to www.dialight.com for current versions of: (a) relevant product documentation (including the relevant product data sheets); (b) Dialight terms and conditions of sale; and, (c) the relevant product warranty. To the extent that any contract is deemed formed between Dialight and the purchaser of Dialight products and/or an end-user, versions of documents available at www.dialight.com as at the date of sale shall be the versions incorporated therein. In the event of any discrepancy between this document or information provided at www.dialight.com, the latter shall prevail.

North American HQ

1501 Route 34 South
Farmingdale, NJ 07727

Tel: 732-919-3119

Fax: 732-751-5778

info@dialight.com

WARNING / DISCLAIMERS:

Installation & secondary retention. The use of this product without proper installation (including secondary retention / netting) and periodic inspections, could cause severe injury or death. Dialight recommends that all installations should use secondary retention / netting (appropriate to the installation environment) as applicable. Dialight products are intended for ultimate purchase, installation and operation by knowledgeable persons trained in the functional assessment, installation, use and maintenance of such products and all customers (including but not limited to end customers) are responsible for assessing the suitability of Dialight products for any given installation requirement. It is the exclusive responsibility of the contractor, installer and/or end-user to: (a) determine the suitability of the product for its intended application; and, (b) ensure that the product is safely installed (with secondary retention / netting as appropriate) and in compliance with all applicable laws and regulations.

Product specifications & warranties. All product information provided is, to the best of Dialight's knowledge, accurate as of the date of publication. All values and performance data herein are design or typical values when measured under laboratory conditions. The information herein is subject to change without notice. The products / software detailed herein are subject to applicable warranties and terms and conditions of use/purchase. Unless agreed otherwise in writing by an authorized representative of Dialight, Dialight does not represent that its products are fit for any particular purpose and accepts no liability for the installation and/or unauthorised use of its products. When ordering, refer to www.dialight.com for current versions of: (a) relevant product documentation (including relevant product data sheets); (b) Dialight terms and conditions of sale; and, (c) the relevant product warranties. To the extent that any contract is deemed formed between Dialight and the purchaser of Dialight products and/or an end-user, versions of documents available at www.dialight.com as at the date of sale shall be the versions incorporated therein. In the event of any discrepancy between this document and information provided at www.dialight.com, the latter shall prevail.

Exclusion of liability. To the extent permissible under the relevant law, Dialight disclaims all liability for personal injury and/or other damage resulting from any dislodgment or other dislocation of its products. Whilst Dialight has used its reasonable endeavours to ensure the completeness and accuracy of information herein, Dialight does not assume any liability for damages resulting from use of this information or for any third-party representations made in relation to Dialight products.