

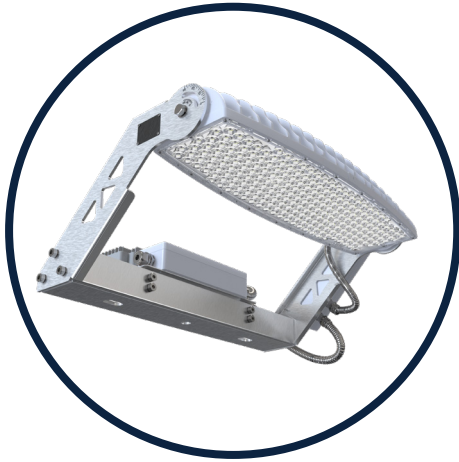


DuroSite[®] LED Floodlight

Technical Specification Sheet - APAC

DuroSite® LED Floodlight - FA Series

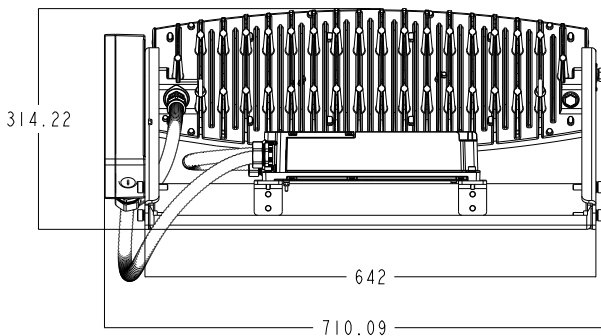
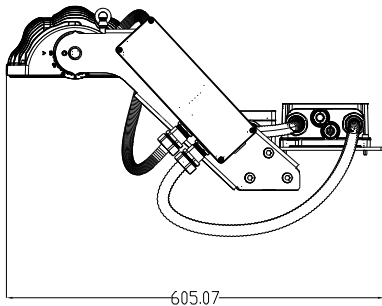
FA Models



Certifications & Ratings

- 5 year warranty
- CE / ENEC / RCM
- IP66
- IK10
- L70 > 125,000hrs @ 50°C ambient
- Vibration to ANSI C136.31

FA Series



Dimensions in mm

Additional dimensional drawings on page 7

Mechanical Information:

Fixture weight:	23.0 kg (includes driver)
Shipping weight:	31.0 kg
EPA (m²):	0.125 (0°)/0.201 (90°)
Mounting:	316 stainless steel swivel bracket
Operating temp:	-40°C to +50°C
Cable entry:	1 x M25

Construction Information:

Housing:	A360 Die-cast aluminum
Hardware:	316 Stainless Steel
Finish:	Premium Epoxy Powder Coat
Lens:	PC Optic/Lens

Electrical Specifications - Driver: NFS-600S210BC

Operating voltage:	220-480-VAC, 50/60Hz
Maximum distance for remote driver applications:	100m
Driver Weight:	4.6 kg
Driver EMC:	EN IEC 55015:2019+A11 EN IEC 61547:2023 EN IEC 61000-3-2:2019+A1 EN 61000-3-3:2013+A1+A2
AC Surge Immunity:	20kV line-line & line-ground per IEC 61000-4-5
Output protection:	Light engine connections fitted with a 4kV (Uoc), 1.4kV (Up), IEC 61643-11 protection device

THD:	< 20%
Power Factor:	> 0.9

Photometric Information:

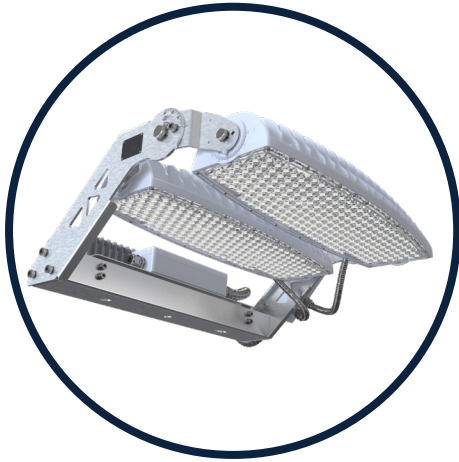
CRI:	70
CCT:	5000K (cool white) 4000K (neutral white) 2700K (warm white) 2200K (warm white)
Beam pattern:	Very Narrow - 10° Narrow - 20° Medium - 40° Asymmetric

All values typical unless otherwise stated (tolerance +/- 10%)

WARNING - INSTALLATION & SECONDARY RETENTION. Use of any Dialight products without proper installation (including secondary retention / netting) and periodic inspections could cause severe injury or death. Dialight recommends that all installations should use secondary retention / netting (appropriate to the installation environment) where applicable. It is the exclusive responsibility of the contractor, installer and/or end-user to: (a) determine the suitability of the product for its intended application; and, (b) ensure that the product is safely installed (with secondary retention / netting where appropriate) and in compliance with all applicable laws and regulations. To the extent permissible under applicable laws, Dialight disclaims all liability for personal injury and/or other damage resulting from any dislodgment or other dislocation of its products.

DuroSite® LED Floodlight - FB Series

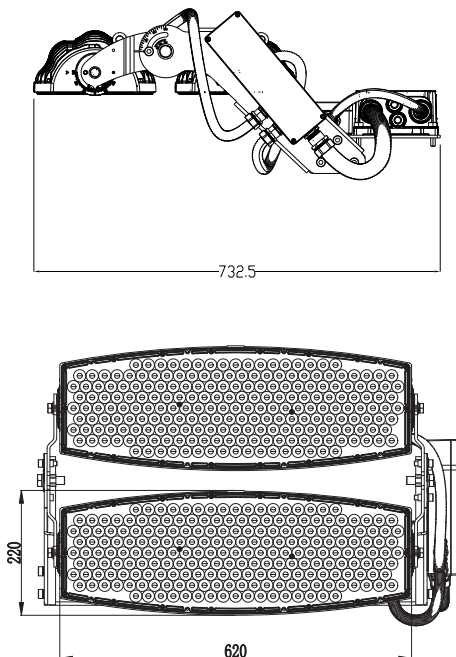
FB Models



Certifications & Ratings

- 5 year warranty
- CE / ENEC / RCM
- IP66
- IK10
- L70 > 125,000hrs @ 50°C ambient
- Vibration to ANSI C136.31

FB Series



Dimensions in mm
Additional dimensional drawings on page 8

WARNING - INSTALLATION & SECONDARY RETENTION. Use of any Dialight products without proper installation (including secondary retention / netting) and periodic inspections could cause severe injury or death. Dialight recommends that all installations should use secondary retention / netting (appropriate to the installation environment) where applicable. It is the exclusive responsibility of the contractor, installer and/or end-user to: (a) determine the suitability of the product for its intended application; and, (b) ensure that the product is safely installed (with secondary retention / netting where appropriate) and in compliance with all applicable laws and regulations. To the extent permissible under applicable laws, Dialight disclaims all liability for personal injury and/or other damage resulting from any dislodgment or other dislocation of its products.

Mechanical Information:

Fixture weight:	35.6 kg (includes driver)
Shipping weight:	46.0 kg
EPA (m ²):	0.134 (0°)/0.279 (90°)
Mounting:	316 stainless steel swivel bracket
Operating temp:	-40°C to +50°C
Cable entry:	1 x M25

Construction Information:

Housing:	A360 Die-cast aluminum
Hardware:	316 Stainless Steel
Finish:	Premium Epoxy Powder Coat
Lens:	PC Optic/Lens

Electrical Specifications - Driver: NFS-1K2D210BC

Operating voltage:	220-480-VAC, 50/60Hz
--------------------	----------------------

Maximum distance for remote driver applications: 100m

Driver Weight:	6.6 kg
Driver EMC:	EN IEC 55015:2019+A11 EN IEC 61547:2023 EN IEC 61000-3-2:2019+A1 EN 61000-3-3:2013+A1+A2

AC Surge Immunity:	20kV line-line & line-ground per IEC 61000-4-5
--------------------	--

Output protection:	Light engine connections fitted with a 4kV (Uoc), 1.4kV (Up), IEC 61643-11 protection device
--------------------	--

THD:	< 20%
------	-------

Power Factor:	> 0.9
---------------	-------

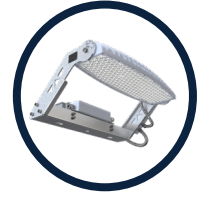
Photometric Information:

CRI:	70
CCT:	5000K (cool white) 4000K (neutral white) 2700K (warm white) 2200K (warm white)

Beam pattern:	Very Narrow - 10° Narrow - 20° Medium - 40° Asymmetric
---------------	---

All values typical unless otherwise stated (tolerance +/- 10%)

Ordering Information DuroSite® LED Floodlight



Industrial - CE / RCM					
Part Number	Fixture Lumens	Wattage	lm/W	CCT/CRI	Optic
FA Models - 220-277VAC and 415-480VAC (2-phase)					
FAE-ABE1	90,000	600	150	5000K 70CRI	Asymmetric
FAE-ALE1	90,000	600	150	4000K 70 CRI	Asymmetric
FAE-AWE1	80,000	600	133	2700K 70 CRI	Asymmetric
FAE-AUE1	72,000	600	120	2200K 70 CRI	Asymmetric
FB Models - 220-277VAC					
FBE-ABE2	180,000	1,200	150	5000K 70CRI	Asymmetric
FBE-ALE2	180,000	1,200	150	4000K 70 CRI	Asymmetric
FBE-AWE2	160,000	1,200	133	2700K 70 CRI	Asymmetric
FBE-AUE2	145,000	1,200	121	2200K 70 CRI	Asymmetric
FB Models - 415-480VAC (2-phase)					
FBE-ABE4	180,000	1,200	150	5000K 70CRI	Asymmetric
FBE-ALE4	180,000	1,200	150	4000K 70 CRI	Asymmetric
FBE-AWE4	160,000	1,200	133	2700K 70 CRI	Asymmetric
FBE-AUE4	145,000	1,200	121	2200K 70 CRI	Asymmetric

All values typical unless otherwise stated (tolerance +/- 10%).
Part numbers listed in **bold** are typically available in stock. Other listed part numbers are made to order.

Replacements

FA Models	
Part Number	Description
ACSPD220-480V	AC surge protection system
FA-DCSPD	DC surge protection system
NFS-600S210BC	220-480VAC 600W Driver

FB Models	
Part Number	Description
ACSPD220-277V	AC surge protection system - 220-277VAC
ACSPD347-480V	AC surge protection system - 347-480VAC
FB-DCSPD	DC surge protection system - FB Models
NFS-1K2D210BC	220-480VAC 1200W Driver

Accessories



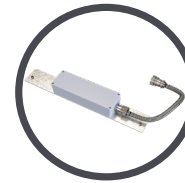
H6XCAB72¹

- 72" stainless steel safety rope
- Kit includes: (1) cable

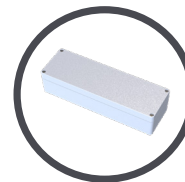
H6XCAB60¹

- 60" stainless steel safety rope
- Kit includes: (1) cable

FA and FB models require 2 cables per unit



AC SPD



DC SPD

DISCLAIMER. All product information provided is, to the best of Dialight's knowledge, accurate as of the date of publication. When ordering, refer to www.dialight.com for current versions of: (a) relevant product documentation (including the relevant product data sheets); (b) Dialight terms and conditions of sale; and, (c) the relevant product warranty. To the extent that any contract is deemed formed between Dialight and the purchaser of Dialight products and/or an end-user, versions of documents available at www.dialight.com as at the date of sale shall be the versions incorporated therein. In the event of any discrepancy between this document or information provided at www.dialight.com, the latter shall prevail.

Lumen Table

Wattage	Optic	5000K	4000K	2700K	2200K
600	10°	80,000	80,000	72,000	65,000
	20°	85,000	85,000	80,000	68,000
	40°	85,000	85,000	80,000	68,000
	Asymmetric	90,000	90,000	80,000	72,000
1200	10°	160,000	160,000	140,000	127,000
	20°	170,000	170,000	157,000	134,000
	40°	170,000	170,000	157,000	134,000
	Asymmetric	180,000	180,000	160,000	145,000

All values typical unless otherwise stated (tolerance +/- 10%)

Inrush Current

FA Models - 600W			
VAC	230	240	415
Peak inrush current (A)	9.1	9.5	15.4
Duration, T50 (ms)	5.4	5.4	6.4
FB Models - 1200W			
VAC	230	240	415
Peak inrush current (A)	9.7	10.1	14.2
Duration, T50 (ms)	5.4	5.4	6.4

Circuit Breaker

230 VAC			
Wattage	16 Amp	20 Amp	32 Amp
600	4	5	8
1,200	2	2	4
240 VAC			
Wattage	16 Amp	20 Amp	32 Amp
600	4	5	8
1,200	2	2	4
415 VAC			
Wattage	16 Amp	20 Amp	32 Amp
600	7	9	14
1,200	3	4	7

Type C breakers are recommended.

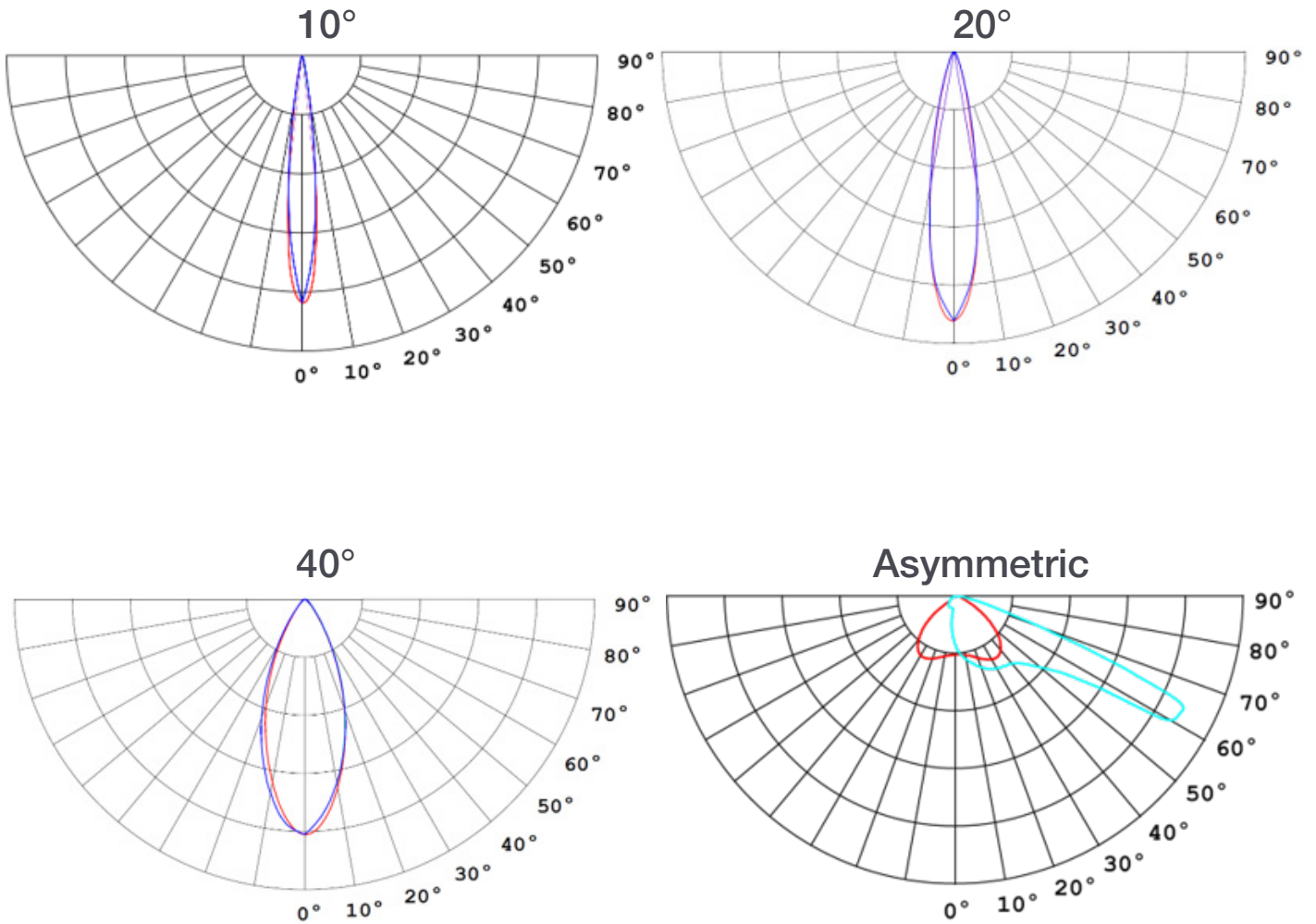
These tables are based on steady-state input current and nominal breaker current ratings @ 80% derating.

Earth Leakage

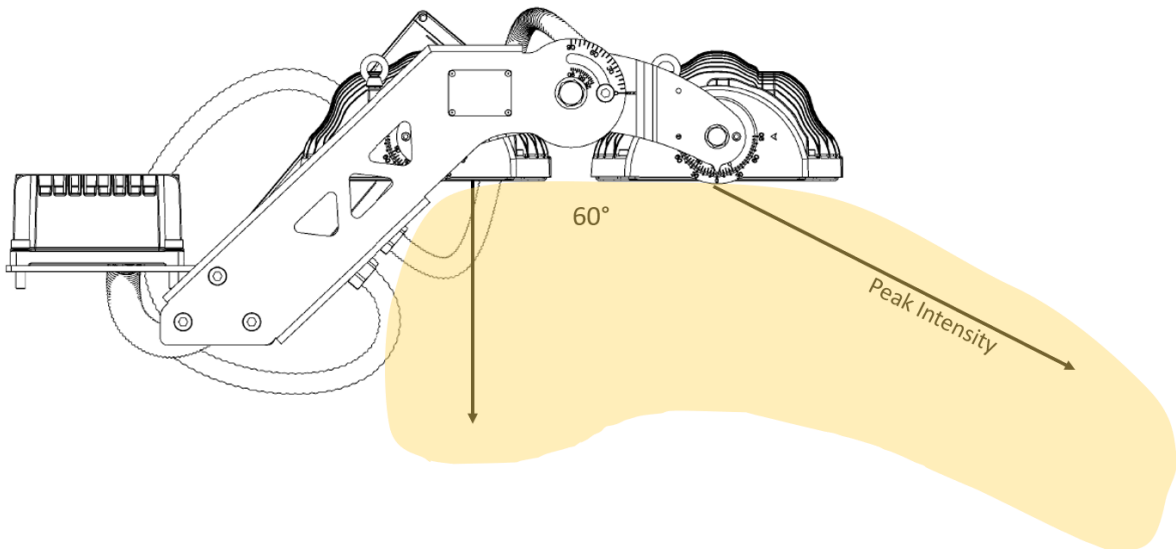
Earth Leakage Current (mA)	FA Models	FB Models
230VAC/50Hz	0.60	0.94
240VAC/50Hz	0.62	0.97
415VAC/50Hz	0.62	0.97

DISCLAIMER. All product information provided is, to the best of Dialight's knowledge, accurate as of the date of publication. When ordering, refer to www.dialight.com for current versions of: (a) relevant product documentation (including the relevant product data sheets); (b) Dialight terms and conditions of sale; and, (c) the relevant product warranty. To the extent that any contract is deemed formed between Dialight and the purchaser of Dialight products and/or an end-user, versions of documents available at www.dialight.com as at the date of sale shall be the versions incorporated therein. In the event of any discrepancy between this document or information provided at www.dialight.com, the latter shall prevail.

Beam Distribution

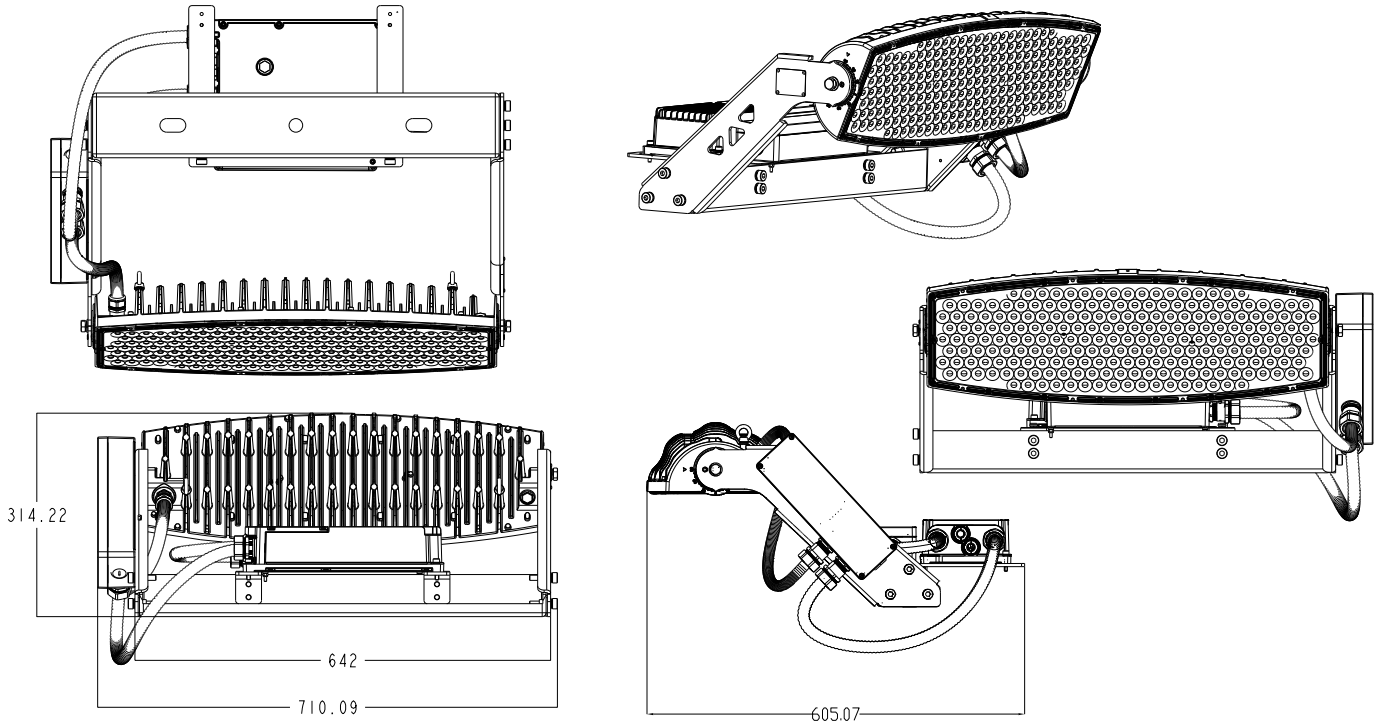


Peak Intensity

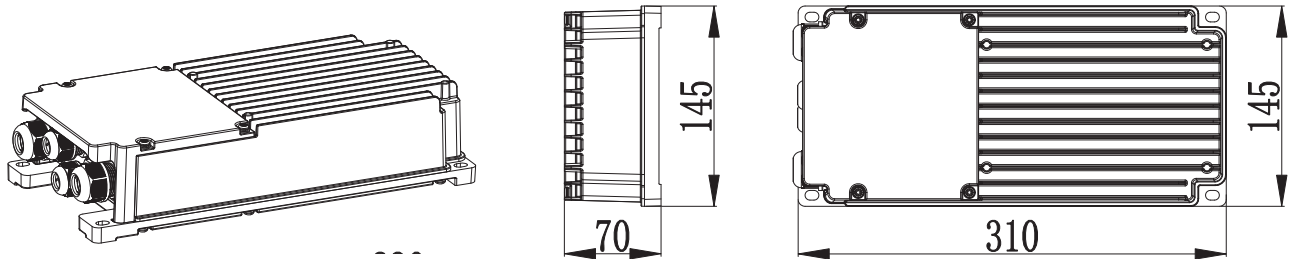


Dimensional Drawings

FA Series



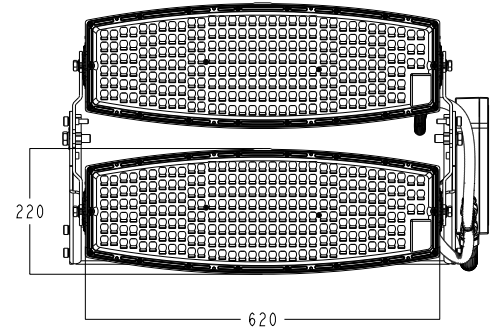
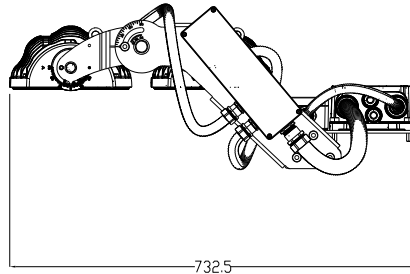
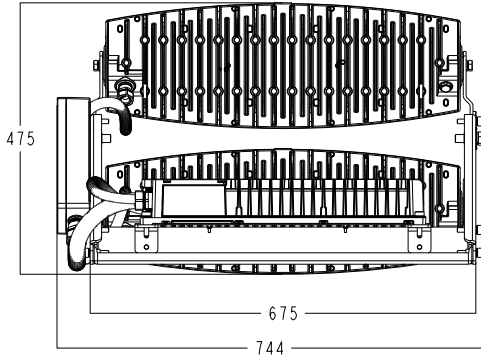
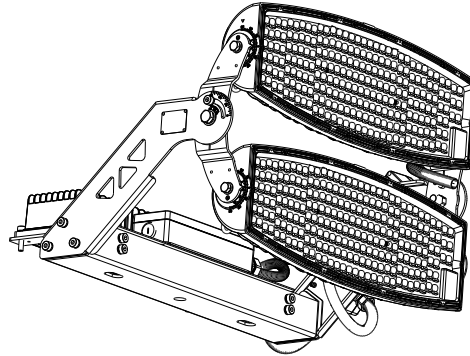
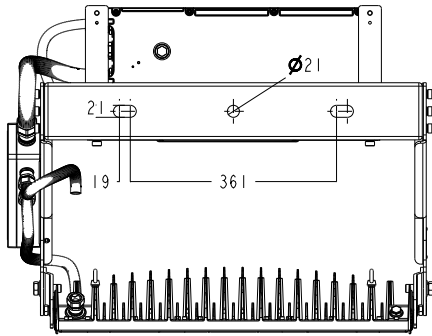
Driver Dimensions FA: NFS-600S210BC



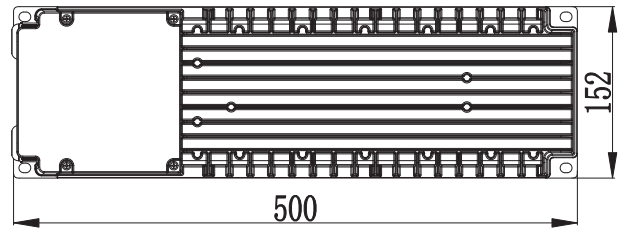
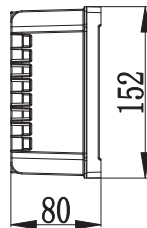
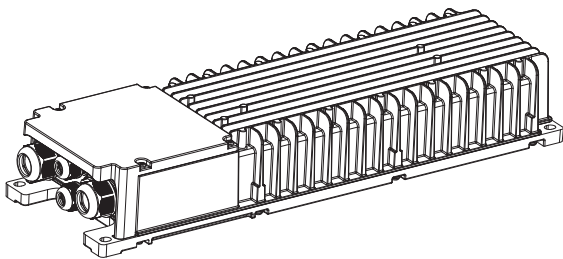
Dimensions in mm

Dimensional Drawings

FB Series



Driver Dimensions
FB: NFS-1K2D210BC



Dimensions in mm

DISCLAIMER. All product information provided is, to the best of Dialight's knowledge, accurate as of the date of publication. When ordering, refer to www.dialight.com for current versions of: (a) relevant product documentation (including the relevant product data sheets); (b) Dialight terms and conditions of sale; and, (c) the relevant product warranty. To the extent that any contract is deemed formed between Dialight and the purchaser of Dialight products and/or an end-user, versions of documents available at www.dialight.com as at the date of sale shall be the versions incorporated therein. In the event of any discrepancy between this document or information provided at www.dialight.com, the latter shall prevail.

Australia

108 Howe Street
Osborne Park, WA 6017
Tel: +61 (0) 8 9244 7600
Fax: +61 (0) 8 9244 7601
info@dialight.com.au

Southeast Asia

56 Kallang Pudding Road
#09 – 08 HH@Kallang
Singapore 349328
Tel: +65 6578 7271
Fax: +65 6578 7150
enquiry@dialight.com.sg

WARNING / DISCLAIMERS:

Installation & secondary retention. The use of this product without proper installation (including secondary retention / netting) and periodic inspections, could cause severe injury or death. Dialight recommends that all installations should use secondary retention / netting (appropriate to the installation environment) as applicable. Dialight products are intended for ultimate purchase, installation and operation by knowledgeable persons trained in the functional assessment, installation, use and maintenance of such products and all customers (including but not limited to end customers) are responsible for assessing the suitability of Dialight products for any given installation requirement. It is the exclusive responsibility of the contractor, installer and/or end-user to: (a) determine the suitability of the product for its intended application; and, (b) ensure that the product is safely installed (with secondary retention / netting as appropriate) and in compliance with all applicable laws and regulations.

Product specifications & warranties. All product information provided is, to the best of Dialight's knowledge, accurate as of the date of publication. All values and performance data herein are design or typical values when measured under laboratory conditions. The information herein is subject to change without notice. The products / software detailed herein are subject to applicable warranties and terms and conditions of use/purchase. Unless agreed otherwise in writing by an authorized representative of Dialight, Dialight does not represent that its products are fit for any particular purpose and accepts no liability for the installation and/or unauthorised use of its products. When ordering, refer to www.dialight.com for current versions of: (a) relevant product documentation (including relevant product data sheets); (b) Dialight terms and conditions of sale; and, (c) the relevant product warranties. To the extent that any contract is deemed formed between Dialight and the purchaser of Dialight products and/or an end-user, versions of documents available at www.dialight.com as at the date of sale shall be the versions incorporated therein. In the event of any discrepancy between this document and information provided at www.dialight.com, the latter shall prevail.

Exclusion of liability. To the extent permissible under the relevant law, Dialight disclaims all liability for personal injury and/or other damage resulting from any dislodgment or other dislocation of its products. Whilst Dialight has used its reasonable endeavours to ensure the completeness and accuracy of information herein, Dialight does not assume any liability for damages resulting from use of this information or for any third-party representations made in relation to Dialight products.