



ProSite LED Floodlight - Battery Backup Models

Technical Specification Sheet - EMEA

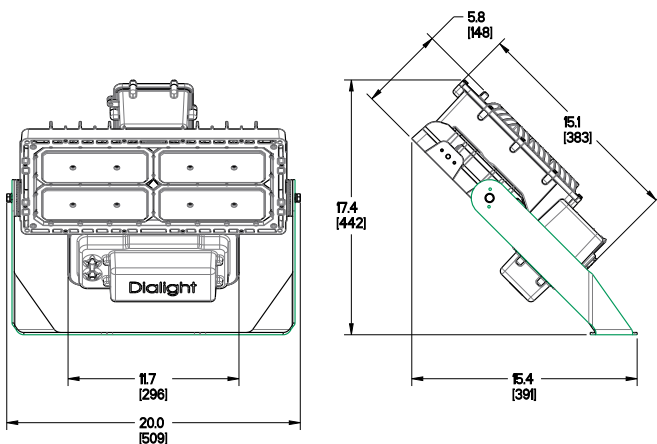
ProSite LED Floodlight - Battery Backup

F1 Models - Non-Hazardous



Certifications & Ratings

- 10 year warranty (excluding batteries)
- CE / ENEC / RCM
- IP66/67
- IK10 - Integrated PC optic only
- IK08 - Glass lens
- L70 > 150,000 hours @ 25°C ambient
- Vibration - Lloyd's test 1



Dimensions in inches [mm]

Mechanical Information:

Fixture weight:	13 - 16kg
Shipping weight:	15 - 18kg
EPA (sq. m):	0.19
Mounting: (all with 7.5° tilt adjustment)	316 stainless steel straight bracket 316 stainless steel angled bracket Slipfitter bracket
Cable entry:	2 x M25

Electrical Specifications:

Operating voltage:	230-240 VAC, 50/60Hz
Operating temp:	-20°C to +55°C
EMC:	CISPR 15 Flicker: IEC 61000-3-3 Immunity requirements for lighting: IEC 61547 Harmonics: IEC 61000-3-2 Class C
Transient protection:	IEC 61000-4-5. 6kV line-line and line-ground. Optional: Additional surge protection module rated for 10kA, 20kA single strike
THD:	< 20%
Power Factor:	> 0.9
Dimming:	DALI 1 and 2 compatible/0-10 VDC
Battery Duration:	60, 90 or 180 minutes (field selectable)

Construction:

Housing:	A360 Die-cast aluminum
Hardware:	316 stainless steel
Finish:	Superior epoxy and polyester dual coat finish
Lens:	Integrated PC Optic/Lens, Glass Lens Cover, PC Lens Cover

Photometric Information:

CRI:	70
CCT:	5000K (cool white) 4000K (neutral white) 2200K (warm white) 2700K (warm white) - 80 CRI Amber
Beam pattern:	Medium (56°) Wide (125°) Asymmetric

IES files: Available at www.dialight.com

All values typical unless otherwise stated (tolerance +/- 10%)

WARNING - INSTALLATION & SECONDARY RETENTION. Use of any Dialight products without proper installation (including secondary retention / netting) and periodic inspections could cause severe injury or death. Dialight recommends that all installations should use secondary retention / netting (appropriate to the installation environment) where applicable. It is the exclusive responsibility of the contractor, installer and/or end-user to: (a) determine the suitability of the product for its intended application; and, (b) ensure that the product is safely installed (with secondary retention / netting where appropriate) and in compliance with all applicable laws and regulations. To the extent permissible under applicable laws, Dialight disclaims all liability for personal injury and/or other damage resulting from any dislodgment or other dislocation of its products.

Ordering Information - F1 Models

ProSite LED Floodlight Battery Backup - Non-Hazardous



Industrial - CE / ENEC / RCM								
Part Number	Fixture Lumens	Wattage	lm/W	Fixture Lumens (Battery Mode)	Voltage	CCT/CRI	Lens	Optic
ProSite Floodlight 12,000lm Models								
F1E-N6BG-BDEN-VGF	13,200	87	152	1,720	230-240VAC	5000K (Cool White)	Integrated PC	Wide (125°)
F1E-N4BG-BDEN-VGF	13,200	87	152	1,720	230-240VAC	5000K (Cool White)	Integrated PC	Medium (56°)
F1E-7FBG-BDEN-VGF	12,200	87	140	1,600	230-240VAC	5000K (Cool White)	Glass	Asymmetric
F1E-N6LG-BDEN-VGF	13,200	87	152	1,720	230-240VAC	4000K (Neutral White)	Integrated PC	Wide (125°)
F1E-N4LG-BDEN-VGF	13,200	87	152	1,720	230-240VAC	4000K (Neutral White)	Integrated PC	Medium (56°)
F1E-7FLG-BDEN-VGF	12,200	87	140	1,600	230-240VAC	4000K (Neutral White)	Glass	Asymmetric
ProSite Floodlight 18,000lm Models								
F1E-N6BG-CDEN-VGF	19,100	130	147	1,720	230-240VAC	5000K (Cool White)	Integrated PC	Wide (125°)
F1E-N4BG-CDEN-VGF	19,100	130	147	1,720	230-240VAC	5000K (Cool White)	Integrated PC	Medium (56°)
F1E-7FBG-CDEN-VGF	17,700	130	136	1,600	230-240VAC	5000K (Cool White)	Glass	Asymmetric
F1E-N6LG-CDEN-VGF	19,100	130	147	1,720	230-240VAC	4000K (Neutral White)	Integrated PC	Wide (125°)
F1E-N4LG-CDEN-VGF	19,100	130	147	1,720	230-240VAC	4000K (Neutral White)	Integrated PC	Medium (56°)
F1E-7FLG-CDEN-VGF	17,700	130	136	1,600	230-240VAC	4000K (Neutral White)	Glass	Asymmetric
ProSite Floodlight 30,000lm Models								
F1E-N6BG-FDEN-VGF	31,600	240	132	1,720	230-240VAC	5000K (Cool White)	Integrated PC	Wide (125°)
F1E-N4BG-FDEN-VGF	31,600	240	132	1,720	230-240VAC	5000K (Cool White)	Integrated PC	Medium (56°)
F1E-7FBG-FDEN-VGF	29,200	240	122	1,600	230-240VAC	5000K (Cool White)	Glass	Asymmetric
F1E-N6LG-FDEN-VGF	31,600	240	132	1,720	230-240VAC	4000K (Neutral White)	Integrated PC	Wide (125°)
F1E-N4LG-FDEN-VGF	31,600	240	132	1,720	230-240VAC	4000K (Neutral White)	Integrated PC	Medium (56°)
F1E-7FLG-FDEN-VGF	29,200	240	122	1,600	230-240VAC	4000K (Neutral White)	Glass	Asymmetric

All values typical unless otherwise stated (tolerance +/- 10%).

CCT - Change 6th character to 'W' for 2700K, 'U' for 2200K and 'A' for amber

Lens - For glass lens change 4th character to a '7'.

Surge Protection - For 10kA surge protection 230-240 VAC change 7th character to 'H'.

PE Cell - For 3-Pin NEMA PE Cell Receptacle with shorting cap change 9th character to 'S'.

Mounting Bracket - Angled Bracket supplied as standard - for straight bracket change 10th character to 'F', for slip fitter change 10th character to 'S', for heavy-duty bracket change 10th character to "H".

Lumen Tables

Lumen Output Family	Wattage (120-277 VAC)	Optic	PC Optic Only				Glass Lens			
			5000K	4000K	2700K	2200K	5000K	4000K	2700K	2200K
12K	86	Medium	13,200	13,200	10,200	10,400	12,500	12,500	9,500	9,700
		Wide	13,200	13,200	10,200	10,400	12,500	12,500	9,500	9,700
		Asymmetric	-	-	-	-	12,200	12,200	9,200	9,400
18K	129	Medium	19,100	19,100	14,800	15,100	18,000	18,000	13,800	14,000
		Wide	19,100	19,100	14,800	15,100	18,000	18,000	13,800	14,000
		Asymmetric	-	-	-	-	17,700	17,700	13,400	13,700
24K	180	Medium	25,000	25,000	19,400	19,800	23,600	23,600	18,000	18,400
		Wide	25,000	25,000	19,400	19,800	23,600	23,600	18,000	18,400
		Asymmetric	-	-	-	-	23,100	23,100	17,500	17,900
30K	239	Medium	31,600	31,600	24,500	25,000	29,900	29,900	22,800	23,200
		Wide	31,600	31,600	24,500	25,000	29,900	29,900	22,800	23,200
		Asymmetric	-	-	-	-	29,200	29,200	22,100	22,600

Lumen Output Family	Wattage (120-277 VAC)	Optic	PC Optic Only	Glass Lens
			Amber	
12K	232	Medium	13,000	12,300
		Wide	13,000	12,300
		Asymmetric	-	11,600

DISCLAIMER. All product information provided is, to the best of Dialight's knowledge, accurate as of the date of publication. When ordering, refer to www.dialight.com for current versions of: (a) relevant product documentation (including the relevant product data sheets); (b) Dialight terms and conditions of sale; and, (c) the relevant product warranty. To the extent that any contract is deemed formed between Dialight and the purchaser of Dialight products and/or an end-user, versions of documents available at www.dialight.com as at the date of sale shall be the versions incorporated therein. In the event of any discrepancy between this document or information provided at www.dialight.com, the latter shall prevail.

Inrush Current

F1 Models	
VAC	240
Peak inrush current (A)	15.4
Duration, T50 (ms)	1.5

Maximum per Circuit Breaker

230VAC			
Lumen Output	10 Amp	16 Amp	20 Amp
12,000	16	26	32
18,000	11	17	21
24,000	8	12	15
30,000	6	9	11
Amber	6	9	12

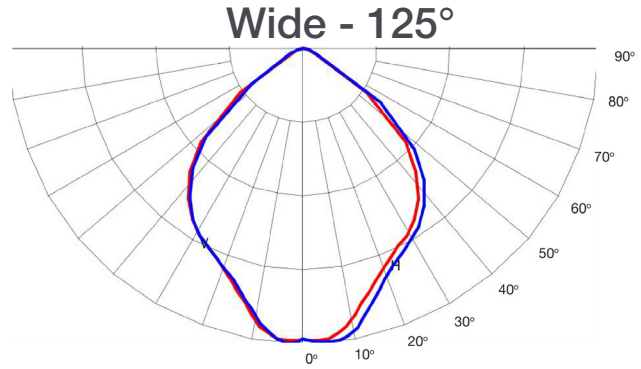
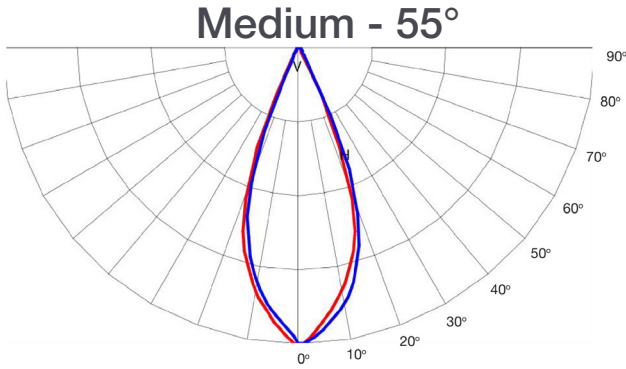
240VAC		
10 Amp	16 Amp	20 Amp
17	27	33
11	18	22
8	13	16
6	9	12
6	10	12

Dialight recommends using B or C type breakers.

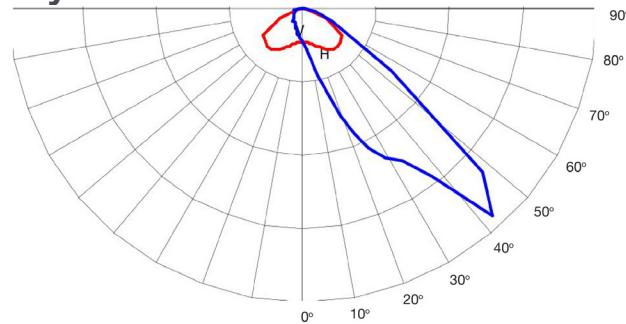
These tables are based on steady-state input current and nominal breaker current ratings @ 80% derating.

DISCLAIMER. All product information provided is, to the best of Dialight's knowledge, accurate as of the date of publication. When ordering, refer to www.dialight.com for current versions of: (a) relevant product documentation (including the relevant product data sheets); (b) Dialight terms and conditions of sale; and, (c) the relevant product warranty. To the extent that any contract is deemed formed between Dialight and the purchaser of Dialight products and/or an end-user, versions of documents available at www.dialight.com as at the date of sale shall be the versions incorporated therein. In the event of any discrepancy between this document or information provided at www.dialight.com, the latter shall prevail.

Beam Distribution



Asymmetric - Forward Distribution



DISCLAIMER. All product information provided is, to the best of Dialight's knowledge, accurate as of the date of publication. When ordering, refer to www.dialight.com for current versions of: (a) relevant product documentation (including the relevant product data sheets); (b) Dialight terms and conditions of sale; and, (c) the relevant product warranty. To the extent that any contract is deemed formed between Dialight and the purchaser of Dialight products and/or an end-user, versions of documents available at www.dialight.com as at the date of sale shall be the versions incorporated therein. In the event of any discrepancy between this document or information provided at www.dialight.com, the latter shall prevail.

Lumen Maintenance Factor - F1

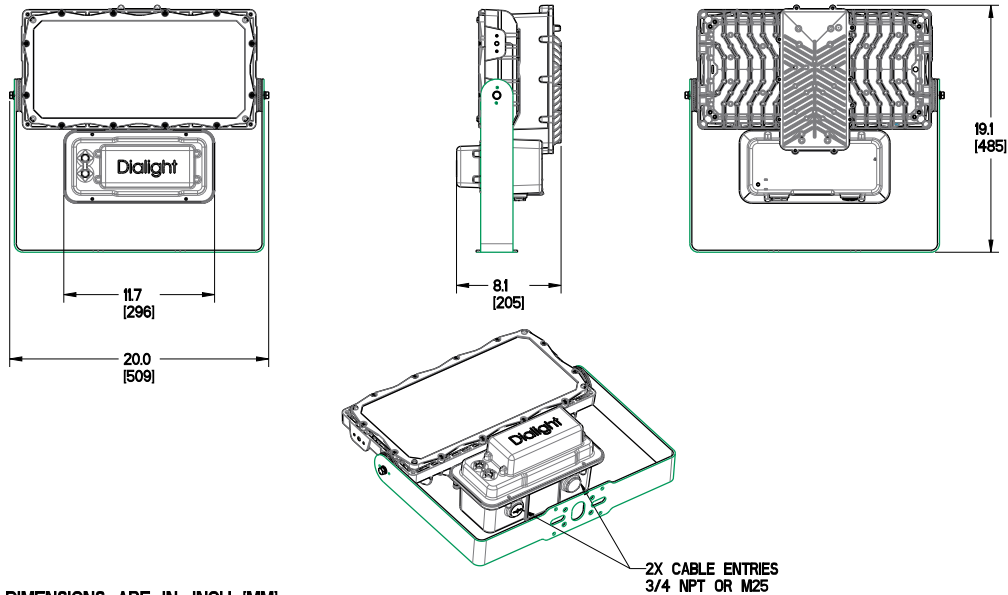
F1 Floodlight 12k lm (Hours)									
Ambient	0	15000	30000	45000	60000	75000	90000	100000	150000
25°C	100%	98%	97%	96%	96%	95%	94%	93%	91%
30°C	99%	97%	96%	95%	95%	94%	93%	92%	90%
35°C	98%	96%	96%	95%	95%	94%	93%	92%	90%
40°C	98%	96%	95%	94%	94%	93%	92%	91%	89%
45°C	97%	95%	94%	93%	93%	92%	91%	90%	88%
50°C	96%	94%	94%	93%	93%	92%	91%	90%	88%
55°C	96%	94%	93%	92%	91%	90%	90%	89%	87%

F1 Floodlight 18k lm (Hours)									
Ambient	0	15000	30000	45000	60000	75000	90000	100000	150000
25°C	100%	98%	97%	96%	96%	95%	94%	93%	91%
30°C	99%	97%	96%	95%	95%	94%	93%	92%	90%
35°C	98%	96%	96%	95%	95%	94%	93%	92%	90%
40°C	98%	96%	95%	94%	94%	93%	92%	91%	89%
45°C	97%	95%	94%	93%	93%	92%	91%	90%	88%
50°C	96%	94%	94%	93%	93%	92%	91%	90%	88%
55°C	96%	94%	93%	92%	91%	90%	90%	89%	87%

F1 Floodlight 30k lm (Hours)									
Ambient	0	15000	30000	45000	60000	75000	90000	100000	150000
25°C	100%	98%	95%	93%	91%	89%	87%	85%	79%
30°C	99%	97%	94%	92%	90%	88%	86%	84%	78%
35°C	98%	96%	93%	91%	89%	87%	85%	83%	77%
40°C	97%	94%	92%	90%	88%	85%	83%	82%	76%
45°C	96%	93%	91%	88%	86%	84%	82%	81%	74%
50°C	94%	92%	90%	87%	85%	83%	81%	79%	72%
55°C	93%	91%	88%	86%	84%	81%	79%	78%	71%

DISCLAIMER. All product information provided is, to the best of Dialight's knowledge, accurate as of the date of publication. When ordering, refer to www.dialight.com for current versions of: (a) relevant product documentation (including the relevant product data sheets); (b) Dialight terms and conditions of sale; and, (c) the relevant product warranty. To the extent that any contract is deemed formed between Dialight and the purchaser of Dialight products and/or an end-user, versions of documents available at www.dialight.com as at the date of sale shall be the versions incorporated therein. In the event of any discrepancy between this document or information provided at www.dialight.com, the latter shall prevail.

Dimensional Drawings



ALL DIMENSIONS ARE IN: INCH [MM]

Accessories

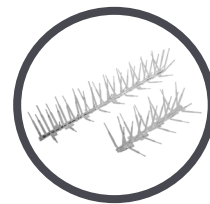


F1NVISOR
 • F1 visor NEMA optics

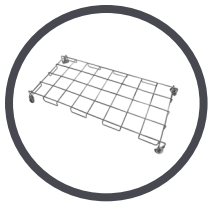


H6XCAB72²
 • 72" stainless steel safety rope
 • Kit includes: (1) cable

H6XCAB60²
 • 60" stainless steel safety rope
 • Kit includes: (1) cable



F1SPIKES
 • Bird spikes



FLWG
 • Wire guard
 • Kit includes (1) assembly



SLPC01R
 • Photocell, 105-305 VAC

SLPC02R
 • Photocell, 312-382 VAC

SLPC03R
 • Photocell, 432-528 VAC

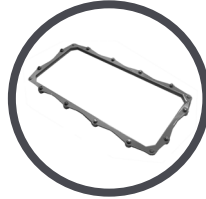
¹Brackets and adapters require the tenon pole topper (FLX-1TPT-20DB/LG) to mount floodlight. Tenon pole topper sold separately.

²F1 models require 1 cable per unit.

Replacements*



- FL10KV277**
- 10kA surge protection 100-277V
- FL10KV480**
- 10kA surge protection 347-480V



- FLGLASSLG**
- Glass lens, grey
 - Kit includes (1) assembly

Replacement Power Supplies	
Part Number	Description
F1PS2B	120-277V Power Supply, 12k lm
F1PS2C	120-277V Power Supply, 18k lm
F1PS2F	120-277V Power Supply, 30k lm

*Replacements parts for CE models only.

DISCLAIMER. All product information provided is, to the best of Dialight's knowledge, accurate as of the date of publication. When ordering, refer to www.dialight.com for current versions of: (a) relevant product documentation (including the relevant product data sheets); (b) Dialight terms and conditions of sale; and, (c) the relevant product warranty. To the extent that any contract is deemed formed between Dialight and the purchaser of Dialight products and/or an end-user, versions of documents available at www.dialight.com as at the date of sale shall be the versions incorporated therein. In the event of any discrepancy between this document or information provided at www.dialight.com, the latter shall prevail.

EMEA

60 Petty France
London, SW1H 9EU
Tel: +44 (0) 203 058 3540
sales-emea@dialight.com

Middle East

MF-24 Plot 125-0,
Al Sayegh Building –
Commercial, Port Saeed,
Dubai, United Arab Emirates
Tel: +971 4 409 6962
Fax: +971 4 409 6850
sales-emea@dialight.com

WARNING / DISCLAIMERS:

Installation & secondary retention. The use of this product without proper installation (including secondary retention / netting) and periodic inspections, could cause severe injury or death. Dialight recommends that all installations should use secondary retention / netting (appropriate to the installation environment) as applicable. Dialight products are intended for ultimate purchase, installation and operation by knowledgeable persons trained in the functional assessment, installation, use and maintenance of such products and all customers (including but not limited to end customers) are responsible for assessing the suitability of Dialight products for any given installation requirement. It is the exclusive responsibility of the contractor, installer and/or end-user to: (a) determine the suitability of the product for its intended application; and, (b) ensure that the product is safely installed (with secondary retention / netting as appropriate) and in compliance with all applicable laws and regulations.

Product specifications & warranties. All product information provided is, to the best of Dialight's knowledge, accurate as of the date of publication. All values and performance data herein are design or typical values when measured under laboratory conditions. The information herein is subject to change without notice. The products / software detailed herein are subject to applicable warranties and terms and conditions of use/purchase. Unless agreed otherwise in writing by an authorized representative of Dialight, Dialight does not represent that its products are fit for any particular purpose and accepts no liability for the installation and/or unauthorised use of its products. When ordering, refer to www.dialight.com for current versions of: (a) relevant product documentation (including relevant product data sheets); (b) Dialight terms and conditions of sale; and, (c) the relevant product warranties. To the extent that any contract is deemed formed between Dialight and the purchaser of Dialight products and/or an end-user, versions of documents available at www.dialight.com as at the date of sale shall be the versions incorporated therein. In the event of any discrepancy between this document and information provided at www.dialight.com, the latter shall prevail.

Exclusion of liability. To the extent permissible under the relevant law, Dialight disclaims all liability for personal injury and/or other damage resulting from any dislodgment or other dislocation of its products. Whilst Dialight has used its reasonable endeavours to ensure the completeness and accuracy of information herein, Dialight does not assume any liability for damages resulting from use of this information or for any third-party representations made in relation to Dialight products.