



ProSite LED Streetlight - Battery Backup Models

Technical Specification Sheet - APAC / EMEA

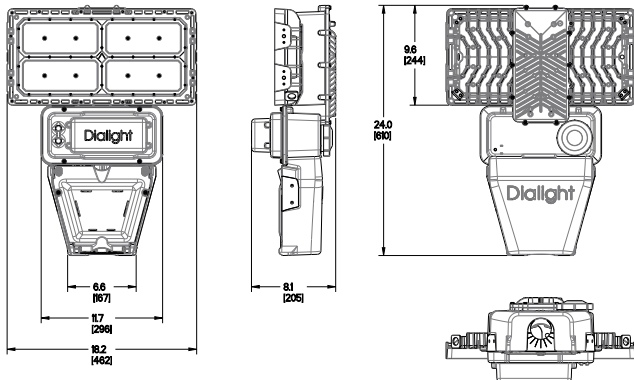
ProSite LED Streetlight - Battery Backup

S1 Models - Non-Hazardous



Certifications & Ratings

- 10 year warranty
- CE / ENEC / RCM
- IP66/67
- IK10 - Integrated PC optic only
- IK08 - Glass lens
- L70 > 150,000 hours @ 25°C ambient



Dimensions in inches [mm]

Mechanical Information:

Fixture weight:	13.3 - 17.8 kg
Shipping weight:	16.6 - 21.1 kg
EPA (sq. m):	0.113
Mounting:	Cast aluminium mast arm bracket. Suits 42.2mm-60.3mm OD pipe. (-5°, 0°, +5° tilt settings) Slip fitter bracket (7.5° of tilt adjustment - vertical pole mount only)

Cable entry: 1 x M25

Electrical Specifications:

Operating voltage:	230-240VAC, 50/60Hz
Operating temp:	-20°C to +55°C
EMC:	CISPR 15 Flicker: IEC 61000-3-3 Immunity requirements for lighting: IEC 61547 Harmonics: IEC 61000-3-2 Class C

Transient protection: IEC 61000-4-5. 6kV line-line and line-ground.
Optional: Additional surge protection module rated for 10kA, 20kA single strike

THD: < 20%

Power Factor: > 0.9

Dimming: DALI 1 and 2 compatible/0-10 VDC

Battery Duration: 90 minutes default (optional 60 or 180 minutes field selectable)

Construction:

Housing:	A360 Die-cast aluminum
Hardware:	316 stainless steel
Finish:	Superior epoxy and polyester dual coat finish
Lens:	Integrated PC Optic/Lens, Glass Lens Cover

Photometric Information:

CRI:	70
CCT:	5000K (cool white) 4000K (neutral white) 2200K (warm white) 2700K (warm white) - 80 CRI Amber
Beam Pattern:	Type III Medium Type V

IES files: Available at www.dialight.com

All values typical unless otherwise stated (tolerance +/- 10%)

WARNING - INSTALLATION & SECONDARY RETENTION. Use of any Dialight products without proper installation (including secondary retention / netting) and periodic inspections could cause severe injury or death. Dialight recommends that all installations should use secondary retention / netting (appropriate to the installation environment) where applicable. It is the exclusive responsibility of the contractor, installer and/or end-user to: (a) determine the suitability of the product for its intended application; and, (b) ensure that the product is safely installed (with secondary retention / netting where appropriate) and in compliance with all applicable laws and regulations. To the extent permissible under applicable laws, Dialight disclaims all liability for personal injury and/or other damage resulting from any dislodgment or other dislocation of its products.

Ordering Information - S1 Models

ProSite LED Streetlight Battery Backup - Non-Hazardous



Industrial - RCM								
Part Number	Fixture Lumens	Wattage	lm/W	Fixture Lumens (Battery Mode)	Voltage	CCT/CRI	Lens	Optics
ProSite Streetlight 12,000lm								
S1E-NQBG-BSTN-VGF	12,300	87	141	1600	230-240VAC	CW 5000K - 70 CRI	PC Optic Only	Type III Medium
S1E-NQLG-BSTN-VGF	12,300	87	141	1600	230-240VAC	NW 4000K - 70 CRI	PC Optic Only	Type III Medium
S1E-NQWG-BSTN-VGF	9,900	87	114	1180	230-240VAC	WW 2700K - 80 CRI	PC Optic Only	Type III Medium
ProSite Streetlight 18,000lm								
S1E-NQBG-CSTN-VGF	17,700	130	136	1600	230-240VAC	CW 5000K - 70 CRI	PC Optic Only	Type III Medium
S1E-NQLG-CSTN-VGF	17,700	130	136	1600	230-240VAC	NW 4000K - 70 CRI	PC Optic Only	Type III Medium
S1E-NQWG-CSTN-VGF	14,300	130	110	1180	230-240VAC	WW 2700K - 80 CRI	PC Optic Only	Type III Medium
ProSite Streetlight 24,000lm								
S1E-NQBG-ESTN-VGF	23,200	181	128	1600	230-240VAC	CW 5000K - 70 CRI	PC Optic Only	Type III Medium
S1E-NQLG-ESTN-VGF	23,200	181	128	1600	230-240VAC	NW 4000K - 70 CRI	PC Optic Only	Type III Medium
S1E-NQWG-ESTN-VGF	18,700	181	103	1180	230-240VAC	WW 2700K - 80 CRI	PC Optic Only	Type III Medium
ProSite Streetlight 24,000lm								
S1E-NQBG-FSTN-VGF	29,400	240	123	1600	230-240VAC	CW 5000K - 70 CRI	PC Optic Only	Type III Medium
S1E-NQLG-FSTN-VGF	29,400	240	123	1600	230-240VAC	NW 4000K - 70 CRI	PC Optic Only	Type III Medium
S1E-NQWG-FSTN-VGF	23,700	240	99	1180	230-240VAC	WW 2700K - 80 CRI	PC Optic Only	Type III Medium

All values typical unless otherwise stated (tolerance +/- 10%).

Lens - To add glass lens cover, swap 4th character 'N' to '7'.

Optic - For Type V optic change 5th character to a '6'.

CCT - 2200K and amber options available, refer to Dialight representative for information.

Voltage - For 120 VAC change the 7th character to '1'.

Mounting Bracket - Mast arm bracket supplied as standard. For adjustable slip fitter option, change 10th character to 'S'.

Lumen Tables

Lumen Output Family	Wattage (120-277 VAC)	Optic Character	Optic	PC Optic Only				Glass Lens			
				5000K	4000K	2700K	2200K	5000K	4000K	2700K	2200K
12K	87	Q	Type III Medium	12,342	12,342	10,096	10,404	10,552	10,552	8,632	8,896
		6	Type V	13,200	13,200	10,200	10,400	12,500	12,500	9,500	9,700
18K	130	Q	Type III Medium	17,859	17,859	14,608	15,055	15,269	15,269	12,490	12,872
		6	Type V	19,100	19,100	14,800	15,100	18,000	18,000	13,800	14,000
24K	181	Q	Type III Medium	23,375	23,375	19,121	19,705	19,986	19,986	16,348	16,848
		6	Type V	25,000	25,000	19,400	19,800	23,600	23,600	18,000	18,400
30K	240	Q	Type III Medium	29,546	29,546	24,169	24,907	25,262	25,262	20,664	21,296
		6	Type V	31,600	31,600	24,500	25,000	29,900	29,900	22,800	23,200

Lumen Output Family	Wattage (120-277VAC)	Optic Character	Optic	PC Optic Only	Glass Lens
				Amber	
12K	232	Q	Type III Medium	12,200	11,600
		6	Type V	13,000	12,300

Inrush Current

S1 Models	
240 VAC	
Peak inrush current (A)	15.4
Duration, T50 (ms)	1.5

DISCLAIMER. All product information provided is, to the best of Dialight's knowledge, accurate as of the date of publication. When ordering, refer to www.dialight.com for current versions of: (a) relevant product documentation (including the relevant product data sheets); (b) Dialight terms and conditions of sale; and, (c) the relevant product warranty. To the extent that any contract is deemed formed between Dialight and the purchaser of Dialight products and/or an end-user, versions of documents available at www.dialight.com as at the date of sale shall be the versions incorporated therein. In the event of any discrepancy between this document or information provided at www.dialight.com, the latter shall prevail.

Maximum per Circuit Breaker

230VAC			
Lumen Output	10 Amp	16 Amp	20 Amp
12,000	16	26	32
18,000	11	17	21
24,000	8	12	15
30,000	6	9	11
Amber	6	9	12

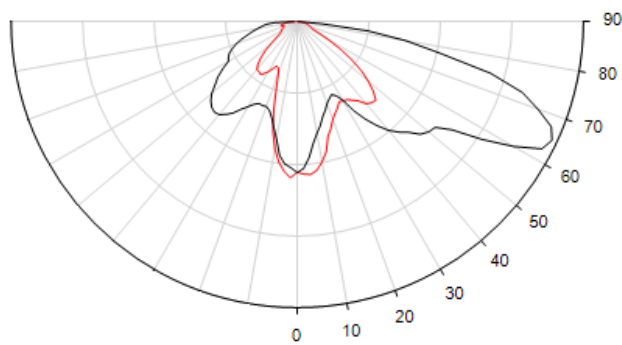
240VAC		
10 Amp	16 Amp	20 Amp
17	27	33
11	18	22
8	13	16
6	9	12
6	10	12

Dialight recommends using B or C type breakers.

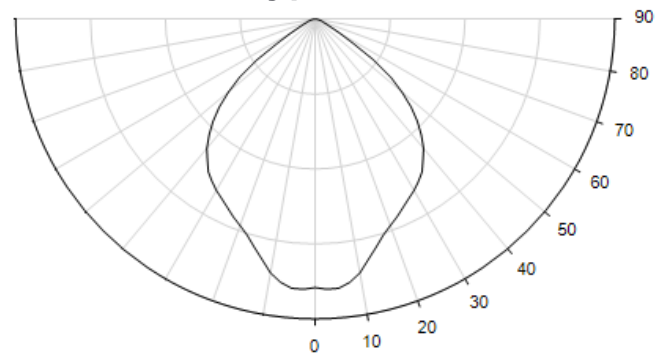
These tables are based on steady-state input current and nominal breaker current ratings @ 80% derating.

Beam Distribution

Type III Medium



Type V



DISCLAIMER. All product information provided is, to the best of Dialight's knowledge, accurate as of the date of publication. When ordering, refer to www.dialight.com for current versions of: (a) relevant product documentation (including the relevant product data sheets); (b) Dialight terms and conditions of sale; and, (c) the relevant product warranty. To the extent that any contract is deemed formed between Dialight and the purchaser of Dialight products and/or an end-user, versions of documents available at www.dialight.com as at the date of sale shall be the versions incorporated therein. In the event of any discrepancy between this document or information provided at www.dialight.com, the latter shall prevail.

Lumen Maintenance Factor - S1

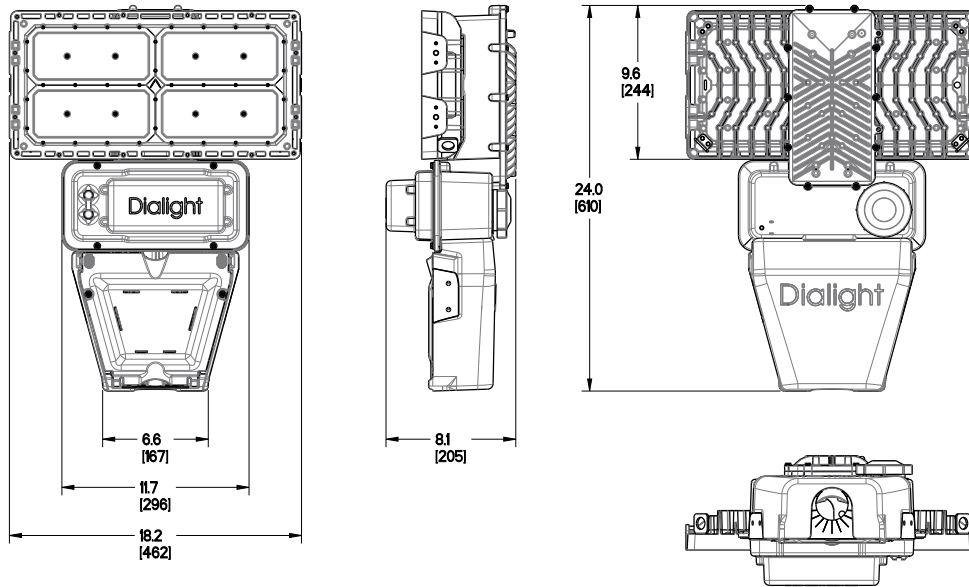
S1 Streetlight 12k lm (Hours)									
Ambient	0	15000	30000	45000	60000	75000	90000	100000	150000
25°C	100%	98%	97%	96%	96%	95%	94%	93%	91%
30°C	99%	97%	96%	95%	95%	94%	93%	92%	90%
35°C	98%	96%	96%	95%	95%	94%	93%	92%	90%
40°C	98%	96%	95%	94%	94%	93%	92%	91%	89%
45°C	97%	95%	94%	93%	93%	92%	91%	90%	88%
50°C	96%	94%	94%	93%	93%	92%	91%	90%	88%
55°C	96%	94%	93%	92%	91%	90%	90%	89%	87%

S1 Streetlight 18k lm (Hours)									
Ambient	0	15000	30000	45000	60000	75000	90000	100000	150000
25°C	100%	98%	97%	96%	96%	95%	94%	93%	91%
30°C	99%	97%	96%	95%	95%	94%	93%	92%	90%
35°C	98%	96%	96%	95%	95%	94%	93%	92%	90%
40°C	98%	96%	95%	94%	94%	93%	92%	91%	89%
45°C	97%	95%	94%	93%	93%	92%	91%	90%	88%
50°C	96%	94%	94%	93%	93%	92%	91%	90%	88%
55°C	96%	94%	93%	92%	91%	90%	90%	89%	87%

S1 Streetlight 30k lm (Hours)									
Ambient	0	15000	30000	45000	60000	75000	90000	100000	150000
25°C	100%	98%	95%	93%	91%	89%	87%	85%	79%
30°C	99%	97%	94%	92%	90%	88%	86%	84%	78%
35°C	98%	96%	93%	91%	89%	87%	85%	83%	77%
40°C	97%	94%	92%	90%	88%	85%	83%	82%	76%
45°C	96%	93%	91%	88%	86%	84%	82%	81%	74%
50°C	94%	92%	90%	87%	85%	83%	81%	79%	72%
55°C	93%	91%	88%	86%	84%	81%	79%	78%	71%

DISCLAIMER. All product information provided is, to the best of Dialight's knowledge, accurate as of the date of publication. When ordering, refer to www.dialight.com for current versions of: (a) relevant product documentation (including the relevant product data sheets); (b) Dialight terms and conditions of sale; and, (c) the relevant product warranty. To the extent that any contract is deemed formed between Dialight and the purchaser of Dialight products and/or an end-user, versions of documents available at www.dialight.com as at the date of sale shall be the versions incorporated therein. In the event of any discrepancy between this document or information provided at www.dialight.com, the latter shall prevail.

Dimensional Drawings



Accessories

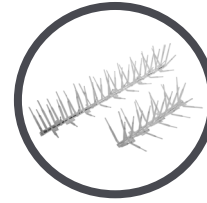


SLPC01R
 • Photocell, 105-305 VAC

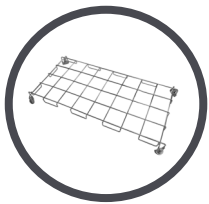


H6XCAB72²
 • 72" stainless steel safety rope
 • Kit includes: (1) cable

H6XCAB60²
 • 60" stainless steel safety rope
 • Kit includes: (1) cable



F1SPIKES
 • Bird spikes



FLWG
 • Wire guard
 • Kit includes (1) assembly

²S1 models require 1 cable per unit.

DISCLAIMER. All product information provided is, to the best of Dialight's knowledge, accurate as of the date of publication. When ordering, refer to www.dialight.com for current versions of: (a) relevant product documentation (including the relevant product data sheets); (b) Dialight terms and conditions of sale; and, (c) the relevant product warranty. To the extent that any contract is deemed formed between Dialight and the purchaser of Dialight products and/or an end-user, versions of documents available at www.dialight.com as at the date of sale shall be the versions incorporated therein. In the event of any discrepancy between this document or information provided at www.dialight.com, the latter shall prevail.

Replacements*

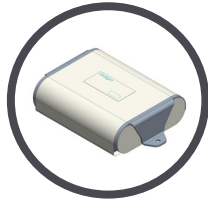


FL10KV277

- 10kA surge protection 100-277V

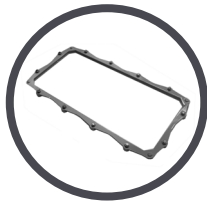
FL10KV480

- 10kA surge protection 347-480V



FLBATTKIT

- Replacement battery kit



FLGLASSLG

- Glass lens, grey
- Kit includes (1) assembly

Replacement Power Supplies	
Part Number	Description
F1PS2B	120-277V Power Supply, 12k lm
F1PS2C	120-277V Power Supply, 18k lm
F1PS2E	120-277V Power Supply, 24k lm
F1PS2F	120-277V Power Supply, 30k lm

*Replacements parts for CE models only.

DISCLAIMER. All product information provided is, to the best of Dialight’s knowledge, accurate as of the date of publication. When ordering, refer to www.dialight.com for current versions of: (a) relevant product documentation (including the relevant product data sheets); (b) Dialight terms and conditions of sale; and, (c) the relevant product warranty. To the extent that any contract is deemed formed between Dialight and the purchaser of Dialight products and/or an end-user, versions of documents available at www.dialight.com as at the date of sale shall be the versions incorporated therein. In the event of any discrepancy between this document or information provided at www.dialight.com, the latter shall prevail.

Australia

108 Howe Street
Osborne Park, WA 6017
Tel: +61 (0) 8 9244 7600
Fax: +61 (0) 8 9244 7601
info@dialight.com.au

EMEA

60 Petty France
London, SW1H 9EU,
United Kingdom
Tel: +44 (0) 203 058 3540
sales-emea@dialight.com

Middle East

MF-24 Plot 125-0, Al Sayegh
Building – Commercial,
Port Saeed, Dubai,
United Arab Emirates
Tel: +971 (4) 409-6962
Fax: +971 (4) 409-6850

Southeast Asia

56 Kallang Pudding Road
#09 – 08 HH@Kallang
Singapore 349328
Tel: +65 6578 7271
Fax: +65 6578 7150
enquiry@dialight.com.sg

WARNING / DISCLAIMERS:

Installation & secondary retention. The use of this product without proper installation (including secondary retention / netting) and periodic inspections, could cause severe injury or death. Dialight recommends that all installations should use secondary retention / netting (appropriate to the installation environment) as applicable. Dialight products are intended for ultimate purchase, installation and operation by knowledgeable persons trained in the functional assessment, installation, use and maintenance of such products and all customers (including but not limited to end customers) are responsible for assessing the suitability of Dialight products for any given installation requirement. It is the exclusive responsibility of the contractor, installer and/or end-user to: (a) determine the suitability of the product for its intended application; and, (b) ensure that the product is safely installed (with secondary retention / netting as appropriate) and in compliance with all applicable laws and regulations.

Product specifications & warranties. All product information provided is, to the best of Dialight's knowledge, accurate as of the date of publication. All values and performance data herein are design or typical values when measured under laboratory conditions. The information herein is subject to change without notice. The products / software detailed herein are subject to applicable warranties and terms and conditions of use/purchase. Unless agreed otherwise in writing by an authorized representative of Dialight, Dialight does not represent that its products are fit for any particular purpose and accepts no liability for the installation and/or unauthorised use of its products. When ordering, refer to www.dialight.com for current versions of: (a) relevant product documentation (including relevant product data sheets); (b) Dialight terms and conditions of sale; and, (c) the relevant product warranties. To the extent that any contract is deemed formed between Dialight and the purchaser of Dialight products and/or an end-user, versions of documents available at www.dialight.com as at the date of sale shall be the versions incorporated therein. In the event of any discrepancy between this document and information provided at www.dialight.com, the latter shall prevail.

Exclusion of liability. To the extent permissible under the relevant law, Dialight disclaims all liability for personal injury and/or other damage resulting from any dislodgment or other dislocation of its products. Whilst Dialight has used its reasonable endeavours to ensure the completeness and accuracy of information herein, Dialight does not assume any liability for damages resulting from use of this information or for any third-party representations made in relation to Dialight products.