



# ProSite LED Streetlight

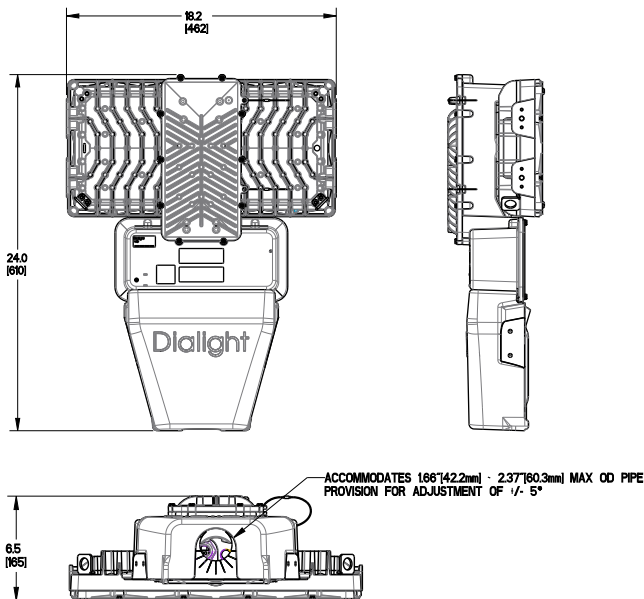
Technical Specification Sheet - EMEA

## ProSite LED Streetlight - Non-Hazardous S1 Models



### Certifications & Ratings

- 10 year warranty
- CE / ENEC / RCM
- IP66/67
- IK10 - Integrated PC optic only
- IK08 - Glass lens
- L70 > 150,000 hours @ 25°C ambient



Dimensions in inches [mm]  
Additional dimensional drawings on page 8

### Mechanical Information:

<b>Fixture weight:</b>	11.0 - 15.5 kg
<b>Shipping weight:</b>	14.3 - 18.8 kg
<b>EPA (sq. m):</b>	0.103
<b>Mounting:</b>	Cast aluminum mast arm bracket - suits 42.2-60.3mm OD pipe (-5°, 0°, +5° tilt settings) Slipfitter bracket (7.5° tilt adjustment, for vertical pole mount only)
<b>Cable entry:</b>	1 x M25

### Electrical Specifications:

<b>Operating voltage:</b>	120-277VAC / 120-250VDC 347-415-480 VAC
<b>Operating temp:</b>	-40°C to +65°C
<b>EMC:</b>	CISPR 15 Flicker: IEC 61000-3-3 Immunity requirements for lighting: IEC 61547 Harmonics: IEC 61000-3-2 Class C
<b>Transient protection:</b>	6kV/3kA Optional: Additional surge protection module rated for 10kA, 20kA single strike
<b>THD:</b>	< 20%
<b>Power Factor:</b>	> 0.9
<b>Dimming:</b>	DALI 1 and DALI 2 compatible / 0-10V DC
<b>Auto switching:</b>	NEMA 3-pin receptacle with shorting cap (photocell sold separately)

### Construction:

<b>Housing:</b>	A360 Die-cast aluminum
<b>Hardware:</b>	316 stainless steel
<b>Finish:</b>	Superior epoxy and polyester dual coat finish
<b>Lens:</b>	Integrated PC Optic/Lens, Glass Lens Cover

### Photometric Information:

<b>CRI:</b>	70
<b>CCT:</b>	5000K (cool white) 4000K (neutral white) 2200K (warm white) 2700K (warm white) - 80 CRI only Amber
<b>Beam pattern:</b>	Type III Medium Type V

All values typical unless otherwise stated (tolerance +/- 10%)

**WARNING - INSTALLATION & SECONDARY RETENTION.** Use of any Dialight products without proper installation (including secondary retention / netting) and periodic inspections could cause severe injury or death. Dialight recommends that all installations should use secondary retention / netting (appropriate to the installation environment) where applicable. It is the exclusive responsibility of the contractor, installer and/or end-user to: (a) determine the suitability of the product for its intended application; and, (b) ensure that the product is safely installed (with secondary retention / netting where appropriate) and in compliance with all applicable laws and regulations. To the extent permissible under applicable laws, Dialight disclaims all liability for personal injury and/or other damage resulting from any dislodgment or other dislocation of its products.

# Ordering Information

## ProSite LED Streetlight - Non-Hazardous



Industrial - 120-277 VAC								
Part Number	Fixture Lumens	Wattage	Efficacy	Voltage	CCT/CRI	Lens	Optic	Receptacle with Cap
<b>ProSite Streetlight 12,000lm</b>								
S1E-NQB2-BSTN-VGN	12,300	81	152	120-277VAC	CW 5000K - 70 CRI	PC Optic Only	Type III Medium	Yes
S1E-NQL2-BSTN-VGN	12,300	81	152	120-277VAC	NW 4000K - 70 CRI	PC Optic Only	Type III Medium	Yes
S1E-NQW2-BSTN-VGN	10,000	81	123	120-277VAC	WW 2700K - 80 CRI	PC Optic Only	Type III Medium	Yes
<b>ProSite Streetlight 18,000lm</b>								
S1E-NQB2-CSTN-VGN	17,800	124	144	120-277VAC	CW 5000K - 70 CRI	PC Optic Only	Type III Medium	Yes
S1E-NQL2-CSTN-VGN	17,800	124	144	120-277VAC	NW 4000K - 70 CRI	PC Optic Only	Type III Medium	Yes
S1E-NQW2-CSTN-VGN	14,600	124	118	120-277VAC	WW 2700K - 80 CRI	PC Optic Only	Type III Medium	Yes
<b>ProSite Streetlight 24,000lm</b>								
S1E-NQB2-ESTN-VGN	23,400	175	134	120-277VAC	CW 5000K - 70 CRI	PC Optic Only	Type III Medium	Yes
S1E-NQL2-ESTN-VGN	23,400	175	134	120-277VAC	NW 4000K - 70 CRI	PC Optic Only	Type III Medium	Yes
S1E-NQW2-ESTN-VGN	19,100	175	109	120-277VAC	WW 2700K - 80 CRI	PC Optic Only	Type III Medium	Yes
<b>ProSite Streetlight 30,000lm</b>								
S1E-NQB2-FSTN-VGN	29,500	234	126	120-277VAC	CW 5000K - 70 CRI	PC Optic Only	Type III Medium	Yes
S1E-NQL2-FSTN-VGN	29,500	234	126	120-277VAC	NW 4000K - 70 CRI	PC Optic Only	Type III Medium	Yes
S1E-NQW2-FSTN-VGN	24,200	234	103	120-277VAC	WW 2700K - 80 CRI	PC Optic Only	Type III Medium	Yes

All values typical unless otherwise stated (tolerance +/- 10%).

Lens - To add additional lens cover, swap 4th character 'N' to '7' for glass

Optic - For Type V optic change 5th character to a '6'.

CCT - 2200K and amber options available, refer to Dialight representative for information.

Voltage - For 347-415-480 VAC change the 7th character to '5'.

Surge Protection - For 10kA surge protection 120-277 VAC change 7th character to '8'. For 10kA surge protection 347-415-480 VAC change 7th character to '9'.

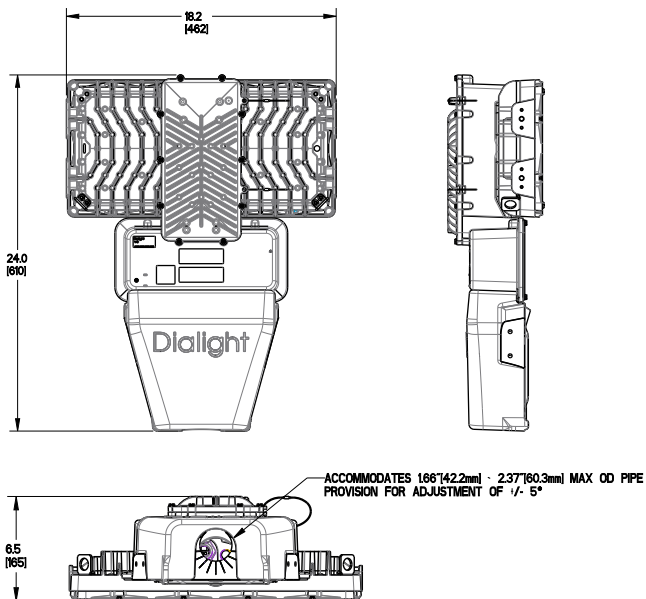
Mounting Bracket - Mast arm bracket supplied as standard. For adjustable slip fitter option, change 10th character to 'S'.

### ProSite LED Streetlight - Hazardous S1 Models



#### Certifications & Ratings

- 10 year warranty
- ATEX/IECEX Zone 2, 21 & 22
  - Ex ec IIC T4 Gc
  - Ex tb IIIC T110°C Db
  - ETL25ATEX0529X
  - ETL25ATEX0528X
  - IECEX ETL 22.0001X
- IP66/67
- IK08 - Glass lens
- L70 > 150,000 hours @ 25°C ambient



Dimensions in inches [mm]  
Additional dimensional drawings on page 8

**WARNING - INSTALLATION & SECONDARY RETENTION.** Use of any Dialight products without proper installation (including secondary retention / netting) and periodic inspections could cause severe injury or death. Dialight recommends that all installations should use secondary retention / netting (appropriate to the installation environment) where applicable. It is the exclusive responsibility of the contractor, installer and/or end-user to: (a) determine the suitability of the product for its intended application; and, (b) ensure that the product is safely installed (with secondary retention / netting where appropriate) and in compliance with all applicable laws and regulations. To the extent permissible under applicable laws, Dialight disclaims all liability for personal injury and/or other damage resulting from any dislodgment or other dislocation of its products.

#### Mechanical Information:

Fixture weight:	15.5 kg
Shipping weight:	18.8 kg
EPA (sq. m):	0.103
Mounting:	Cast aluminum mast arm bracket - suits 42.2-60.3mm OD pipe (-5°, 0°, +5° tilt settings)

Cable entry: 1 x M25

#### Electrical Specifications:

Operating voltage: 120-277VAC / 120-250VDC

Operating temp: -40°C to +65°C

EMC: CISPR 15  
Flicker: IEC 61000-3-3  
Immunity requirements for lighting: IEC 61547  
Harmonics: IEC 61000-3-2 Class C

Transient protection: 6kV/3kA

THD: < 20%

Power Factor: > 0.9

Dimming: DALI 1 and DALI 2 compatible / 0-10V DC

#### Construction:

Housing: A360 Die-cast aluminum

Hardware: 316 stainless steel

Finish: Superior epoxy and polyester dual coat finish

Lens: Glass Lens Cover

#### Photometric Information:

CRI: 70

CCT: 5000K (cool white)  
4000K (neutral white)  
2200K (warm white)  
2700K (warm white) - 80 CRI only  
Amber

Beam pattern: Type III Medium  
Type V

All values typical unless otherwise stated (tolerance +/- 10%)

# Ordering Information

## ProSite LED Streetlight - Hazardous



Hazardous - 120-277 VAC, ATEX / IECEx							
Part Number	Fixture Lumens	Wattage	Efficacy	Voltage	CCT/CRI	Lens	Optic
<b>ProSite Streetlight 12,000lm</b>							
S1B-7QB2-BDTN-VGN	10,600	81	131	120-277VAC	CW 5000K - 70 CRI	Glass	Type III Medium
S1B-7QL2-BDTN-VGN	10,600	81	131	120-277VAC	NW 4000K - 70 CRI	Glass	Type III Medium
S1B-7QW2-BDTN-VGN	8,600	81	106	120-277VAC	WW 2700K - 80 CRI	Glass	Type III Medium
<b>ProSite Streetlight 18,000lm</b>							
S1B-7QB2-CDTN-VGN	15,300	124	123	120-277VAC	CW 5000K - 70 CRI	Glass	Type III Medium
S1B-7QL2-CDTN-VGN	15,300	124	123	120-277VAC	NW 4000K - 70 CRI	Glass	Type III Medium
S1B-7QW2-CDTN-VGN	12,500	124	101	120-277VAC	WW 2700K - 80 CRI	Glass	Type III Medium
<b>ProSite Streetlight 24,000lm</b>							
S1B-7QB2-EDTN-VGN	20,000	175	114	120-277VAC	CW 5000K - 70 CRI	Glass	Type III Medium
S1B-7QL2-EDTN-VGN	20,000	175	114	120-277VAC	NW 4000K - 70 CRI	Glass	Type III Medium
S1B-7QW2-EDTN-VGN	16,300	175	93	120-277VAC	WW 2700K - 80 CRI	Glass	Type III Medium
<b>ProSite Streetlight 30,000lm</b>							
S1B-7QB2-FDTN-VGN	25,300	234	108	120-277VAC	CW 5000K - 70 CRI	Glass	Type III Medium
S1B-7QL2-FDTN-VGN	25,300	234	108	120-277VAC	NW 4000K - 70 CRI	Glass	Type III Medium
S1B-7QW2-FDTN-VGN	20,700	234	88	120-277VAC	WW 2700K - 80 CRI	Glass	Type III Medium

All values typical unless otherwise stated (tolerance +/-10%)  
 Optic - For Type V optic change 5th character to a '6'.  
 CCT - 2200K and amber options available, refer to Dialight representative for information.  
 Mounting Bracket - Mast arm bracket supplied as standard.

# Lumen Tables

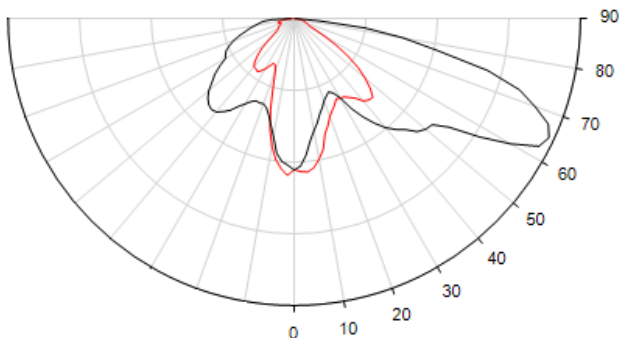
Lumen Output Family	Wattage (120-277 VAC)	Wattage (347-480 VAC)	Optic Character	Optic	PC Optic Only				Glass Lens			
					5000K	4000K	2700K	2200K	5000K	4000K	2700K	2200K
12klm	81	84	Q	Type III Medium	12,342	12,342	10,096	10,404	10,552	10,552	8,632	8,896
			6	Type V	13,200	13,200	10,200	10,400	12,500	12,500	9,500	9,700
18klm	124	128	Q	Type III Medium	17,859	17,859	14,608	15,055	15,269	15,269	12,490	12,872
			6	Type V	19,100	19,100	14,800	15,100	18,000	18,000	13,800	14,000
24klm	175	179	Q	Type III Medium	23,375	23,375	19,121	19,705	19,986	19,986	16,348	16,848
			6	Type V	25,000	25,000	19,400	19,800	23,600	23,600	18,000	18,400
30klm	234	237	Q	Type III Medium	29,546	29,546	24,169	24,907	25,262	25,262	20,664	21,296
			6	Type V	31,600	31,600	24,500	25,000	29,900	29,900	22,800	23,200

# Inrush Current

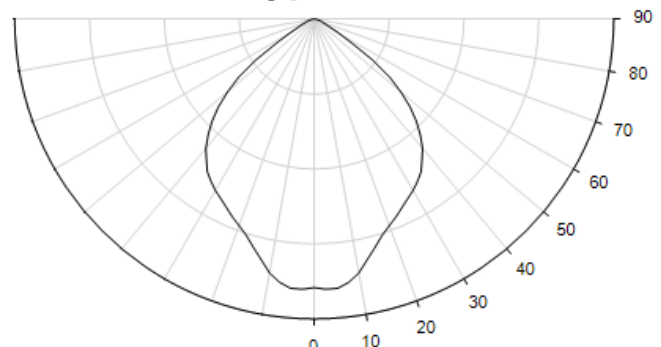
S1 Models					
VAC	120	240	347	415	480
Peak inrush current (A)	7.7	15.4	4.1	4.9	5.7
Duration, T50 (ms)	1.5	1.5	1.5	1.5	1.5

# Beam Distribution

Type III Medium



Type V



**DISCLAIMER.** All product information provided is, to the best of Dialight's knowledge, accurate as of the date of publication. When ordering, refer to [www.dialight.com](http://www.dialight.com) for current versions of: (a) relevant product documentation (including the relevant product data sheets); (b) Dialight terms and conditions of sale; and, (c) the relevant product warranty. To the extent that any contract is deemed formed between Dialight and the purchaser of Dialight products and/or an end-user, versions of documents available at [www.dialight.com](http://www.dialight.com) as at the date of sale shall be the versions incorporated therein. In the event of any discrepancy between this document or information provided at [www.dialight.com](http://www.dialight.com), the latter shall prevail.

# Lumen Maintenance Factor - S1

12k lm (Hours)									
Ambient	0	15000	30000	45000	60000	75000	90000	100000	150000
25°C	100%	98%	97%	96%	96%	95%	94%	93%	91%
30°C	99%	97%	96%	95%	95%	94%	93%	92%	90%
35°C	98%	96%	96%	95%	95%	94%	93%	92%	90%
40°C	98%	96%	95%	94%	94%	93%	92%	91%	89%
45°C	97%	95%	94%	93%	93%	92%	91%	90%	88%
50°C	96%	94%	94%	93%	93%	92%	91%	90%	88%
55°C	96%	94%	93%	92%	91%	90%	90%	89%	87%
60°C	95%	93%	92%	91%	91%	90%	89%	89%	86%
65°C	94%	92%	92%	91%	90%	89%	88%	88%	85%

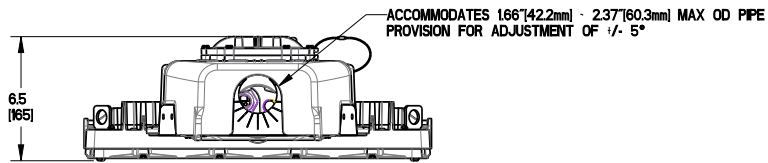
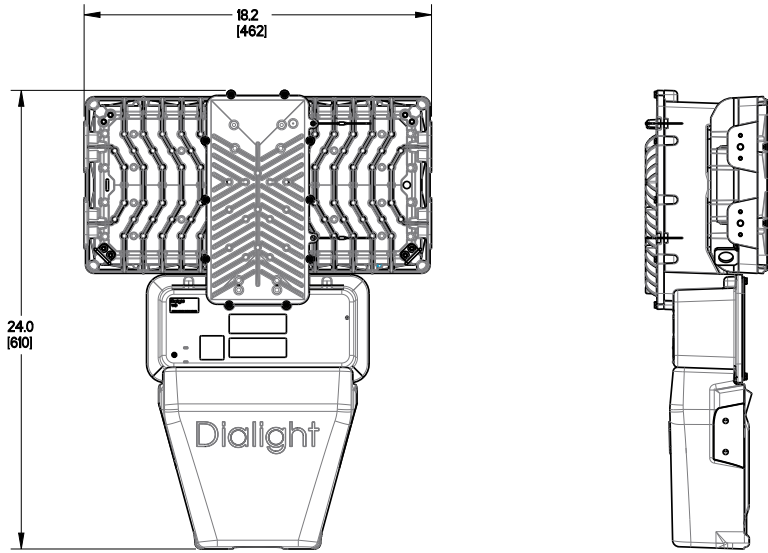
18k lm (Hours)									
Ambient	0	15000	30000	45000	60000	75000	90000	100000	150000
25°C	100%	98%	97%	96%	96%	95%	94%	93%	91%
30°C	99%	97%	96%	95%	95%	94%	93%	92%	90%
35°C	98%	96%	96%	95%	95%	94%	93%	92%	90%
40°C	98%	96%	95%	94%	94%	93%	92%	91%	89%
45°C	97%	95%	94%	93%	93%	92%	91%	90%	88%
50°C	96%	94%	94%	93%	93%	92%	91%	90%	88%
55°C	96%	94%	93%	92%	91%	90%	90%	89%	87%
60°C	95%	93%	92%	91%	91%	90%	89%	89%	86%
65°C	94%	92%	92%	91%	90%	89%	88%	88%	85%

30k lm (Hours)									
Ambient	0	15000	30000	45000	60000	75000	90000	100000	150000
25°C	100%	98%	95%	93%	91%	89%	87%	85%	79%
30°C	99%	97%	94%	92%	90%	88%	86%	84%	78%
35°C	98%	96%	93%	91%	89%	87%	85%	83%	77%
40°C	97%	94%	92%	90%	88%	85%	83%	82%	76%
45°C	96%	93%	91%	88%	86%	84%	82%	81%	74%
50°C	94%	92%	90%	87%	85%	83%	81%	79%	72%
55°C	93%	91%	88%	86%	84%	81%	79%	78%	71%
60°C	92%	90%	87%	85%	82%	80%	78%	76%	70%
65°C	91%	88%	86%	84%	81%	79%	77%	75%	68%

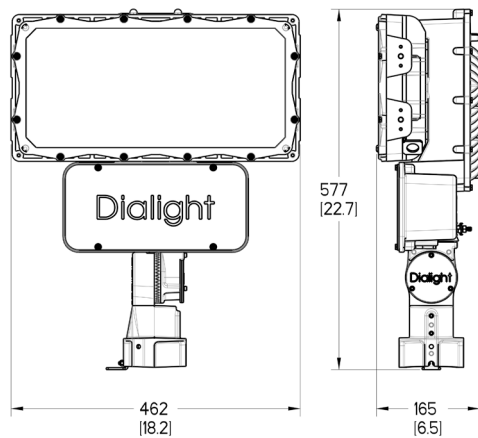
**DISCLAIMER.** All product information provided is, to the best of Dialight's knowledge, accurate as of the date of publication. When ordering, refer to [www.dialight.com](http://www.dialight.com) for current versions of: (a) relevant product documentation (including the relevant product data sheets); (b) Dialight terms and conditions of sale; and, (c) the relevant product warranty. To the extent that any contract is deemed formed between Dialight and the purchaser of Dialight products and/or an end-user, versions of documents available at [www.dialight.com](http://www.dialight.com) as at the date of sale shall be the versions incorporated therein. In the event of any discrepancy between this document or information provided at [www.dialight.com](http://www.dialight.com), the latter shall prevail.

# Dimensional Drawings

## S1 Streetlight



## S1 Slipfitter Bracket - CE/RCM

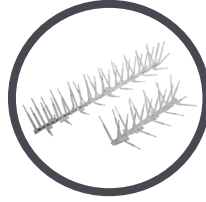


**DISCLAIMER.** All product information provided is, to the best of Dialight's knowledge, accurate as of the date of publication. When ordering, refer to [www.dialight.com](http://www.dialight.com) for current versions of: (a) relevant product documentation (including the relevant product data sheets); (b) Dialight terms and conditions of sale; and, (c) the relevant product warranty. To the extent that any contract is deemed formed between Dialight and the purchaser of Dialight products and/or an end-user, versions of documents available at [www.dialight.com](http://www.dialight.com) as at the date of sale shall be the versions incorporated therein. In the event of any discrepancy between this document or information provided at [www.dialight.com](http://www.dialight.com), the latter shall prevail.

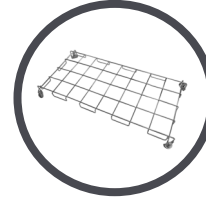
## Accessories



- H6XCAB72<sup>1</sup>**
- 72" stainless steel safety rope
  - Kit includes: (1) cable
- H6XCAB60<sup>1</sup>**
- 60" stainless steel safety rope
  - Kit includes: (1) cable



- F1SPIKES**
- Bird spikes



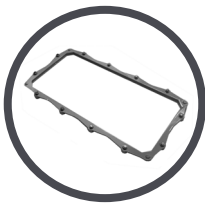
- FLWG**
- Wire guard
  - Kit includes (1) assembly



- SLPC01R**
- Photocell, 105-305 VAC
- SLPC02R**
- Photocell, 312-382 VAC
- SLPC03R**
- Photocell, 432-528 VAC

<sup>1</sup>S1 models require 1 cable per unit.

## Replacements



- FLGLASSLG**
- Glass lens, grey
  - Kit includes (1) assembly



- FL10KV277**
- 10kA surge protection 100-277V
- FL10KV480**
- 10kA surge protection 347-480V

Replacement Power Supplies	
Part Number	Description
F1PS2B	120-277V Power Supply, 12k lm
F1PS2C	120-277V Power Supply, 18k lm
F1PS2E	120-277V Power Supply, 24k lm
F1PS2F	120-277V Power Supply, 30k lm
F1PS5B	347-480V Power Supply, 12k lm
F1PS5C	347-480V Power Supply, 18k lm
F1PS5E	347-480V Power Supply, 24k lm
F1PS5F	347-480V Power Supply, 30k lm

**DISCLAIMER.** All product information provided is, to the best of Dialight's knowledge, accurate as of the date of publication. When ordering, refer to [www.dialight.com](http://www.dialight.com) for current versions of: (a) relevant product documentation (including the relevant product data sheets); (b) Dialight terms and conditions of sale; and, (c) the relevant product warranty. To the extent that any contract is deemed formed between Dialight and the purchaser of Dialight products and/or an end-user, versions of documents available at [www.dialight.com](http://www.dialight.com) as at the date of sale shall be the versions incorporated therein. In the event of any discrepancy between this document or information provided at [www.dialight.com](http://www.dialight.com), the latter shall prevail.

## Dialight Europe Ltd

60 Petty France  
London, SW1H 9EU, United Kingdom  
Tel: +44 (0) 203 058 3540  
sales-emea@dialight.com

## Middle East

MF-24 Plot 125-0, Al Sayegh  
Building – Commercial,  
Port Saeed, Dubai,  
United Arab Emirates  
Tel: +971 (4) 409-6962  
Fax: +971 (4) 409-6850

### WARNING / DISCLAIMERS:

**Installation & secondary retention.** The use of this product without proper installation (including secondary retention / netting) and periodic inspections, could cause severe injury or death. Dialight recommends that all installations should use secondary retention / netting (appropriate to the installation environment) as applicable. Dialight products are intended for ultimate purchase, installation and operation by knowledgeable persons trained in the functional assessment, installation, use and maintenance of such products and all customers (including but not limited to end customers) are responsible for assessing the suitability of Dialight products for any given installation requirement. It is the exclusive responsibility of the contractor, installer and/or end-user to: (a) determine the suitability of the product for its intended application; and, (b) ensure that the product is safely installed (with secondary retention / netting as appropriate) and in compliance with all applicable laws and regulations.

**Product specifications & warranties.** All product information provided is, to the best of Dialight's knowledge, accurate as of the date of publication. All values and performance data herein are design or typical values when measured under laboratory conditions. The information herein is subject to change without notice. The products / software detailed herein are subject to applicable warranties and terms and conditions of use/purchase. Unless agreed otherwise in writing by an authorized representative of Dialight, Dialight does not represent that its products are fit for any particular purpose and accepts no liability for the installation and/or unauthorised use of its products. When ordering, refer to [www.dialight.com](http://www.dialight.com) for current versions of: (a) relevant product documentation (including relevant product data sheets); (b) Dialight terms and conditions of sale; and, (c) the relevant product warranties. To the extent that any contract is deemed formed between Dialight and the purchaser of Dialight products and/or an end-user, versions of documents available at [www.dialight.com](http://www.dialight.com) as at the date of sale shall be the versions incorporated therein. In the event of any discrepancy between this document and information provided at [www.dialight.com](http://www.dialight.com), the latter shall prevail.

**Exclusion of liability.** To the extent permissible under the relevant law, Dialight disclaims all liability for personal injury and/or other damage resulting from any dislodgment or other dislocation of its products. Whilst Dialight has used its reasonable endeavours to ensure the completeness and accuracy of information herein, Dialight does not assume any liability for damages resulting from use of this information or for any third-party representations made in relation to Dialight products.