

# Dialight



## Vigilant<sup>®</sup> LED High Bay - APAC

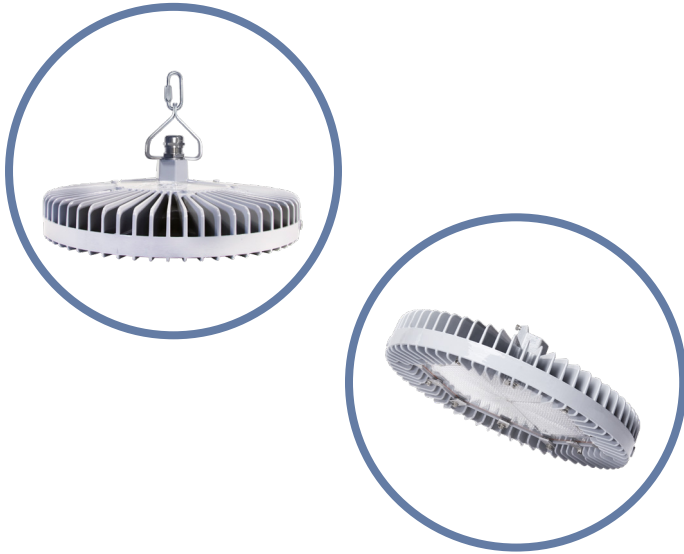
for Indoor and Outdoor Industrial Applications



APRIL 2026

# Vigilant® LED High Bay - RCM / CE / UL

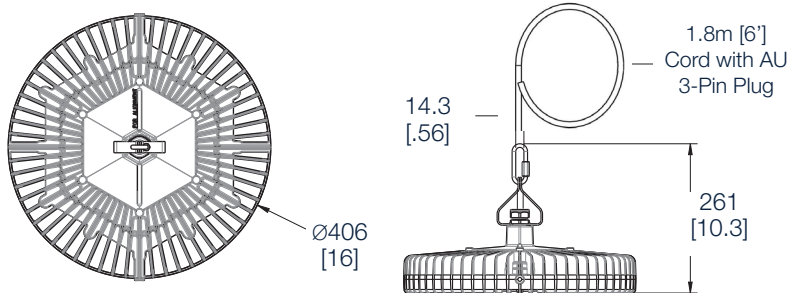
## Standard Models



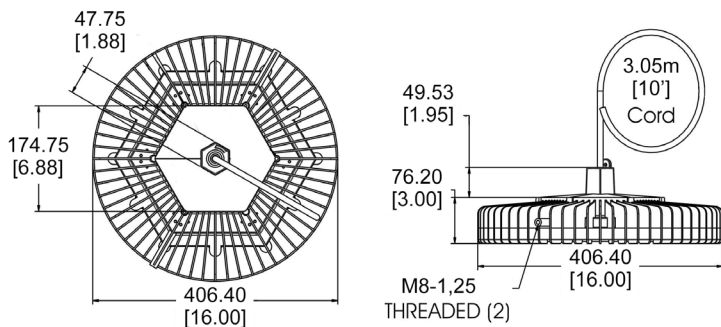
### Certifications & Ratings

- 10 year warranty
- L70 >150,000 hours @ 25°C ambient
- CE / RCM / UL 1598/A (wet locations)
- IK10 to EN 50102 (Polycarbonate lens)  
IK06 to EN 50102 (Acrylic lens)  
IK05 to EN 50102 (Glass lens)

### CE/RCM Model | Prefix: HEE / VEE



### UL Model | Prefix: HEU / VEU



Dimensions in mm [inches]

### Mechanical Information:

<b>Fixture weight:</b>	8.2 kg (18 lb)
<b>Shipping weight:</b>	10.9 kg (24 lb)
<b>Mounting:</b>	Hook (CE/RCM) or 3/4" NPT Pendant (UL) swivel bracket (sold separately) Secondary retention option available
<b>Cabling:</b>	1.8m H07BN4-F power cord (CE/RCM) with AU 3-pin plug or 3m ST00W power cord (UL)

### Electrical Specifications:

<b>Operating Voltage:</b>	100-277 VAC, 120-250 VDC
<b>Total system power consumption:</b>	See table
<b>Operating Temp:</b>	-40°C to +65°C (-40°F to +149°F)
<b>Harmonics:</b>	IEC 61000-3-2
<b>Transient protection:</b>	Tested to withstand up to 8kV/4kA per IEEE C62.41

**THD:** <20%

**Power Factor:** > 0.9

### Construction:

<b>Housing:</b>	Copper free aluminum
<b>Finish:</b>	Superior dual coat finish - Sealed polyester topcoat - Chemical-resistant epoxy primer
<b>Lens:</b>	Tempered glass Polycarbonate (flat or dome) Acrylic (flat)

### Photometric Information:

<b>CRI:</b>	80
<b>CCT:</b>	5000K (cool white) 4000K (neutral white) 2700K (warm white)

All values typical unless otherwise stated (tolerance +/- 10%)

**WARNING - INSTALLATION & SECONDARY RETENTION.** Use of any Dialight products without proper installation (including secondary retention / netting) and periodic inspections could cause severe injury or death. Dialight recommends that all installations should use secondary retention / netting (appropriate to the installation environment) where applicable. It is the exclusive responsibility of the contractor, installer and/or end-user to: (a) determine the suitability of the product for its intended application; and, (b) ensure that the product is safely installed (with secondary retention / netting where appropriate) and in compliance with all applicable laws and regulations. To the extent permissible under applicable laws, Dialight disclaims all liability for personal injury and/or other damage resulting from any dislodgment or other dislocation of its products.



# Vigilant® LED High Bay Battery Backup Model



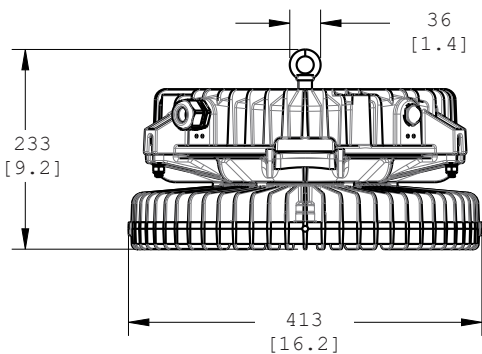
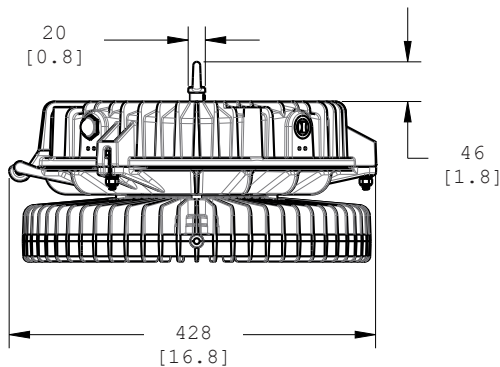
### Mechanical Information:

**Fixture weight:**  
17.7 kg (39 lbs)

**Shipping weight:**  
20.9 kg (46 lbs)

**Mounting:**  
Stainless Steel Hook

**Prefix:** HEE/VEE



Dimensions in mm (inches)

### Certifications & Ratings:

10 year warranty (excluding battery)	IK10 to EN 50102 (Polycarbonate lens)
EN 60598-1:2015, IEC 60598-1:2014	IK06 to EN 50102 (Acrylic lens)
EN 60598-2-1:1989, IEC 60598-2-1:2020	IK05 to EN 50102 (Glass lens)
IEC60068	D-Marking to EN 60598 2-24
Salt spray testing - severity 1	L70 >150,000 hours @ 25°C ambient
IP66 to EN 60529	

### Electrical Specifications:

<b>Operating Voltage:</b>	230/240 VAC
<b>Cable Entries:</b>	M25 x 2 sides
<b>Terminals:</b>	0.5-4mm <sup>2</sup> x 5
<b>Dimming:</b>	DALI enabled
<b>Total system power consumption:</b>	See table
<b>Battery Wattage:</b>	20W
<b>Battery Duration:</b>	60, 90 or 180 minutes (field selectable)
<b>Operating Temp:</b>	-20°C to +55°C
<b>Harmonics:</b>	IEC 61000-3-2
<b>Noise requirement /EMC:</b>	EN 61547: 2009 Radiated and Conducted Emissions: EN 55015
<b>EMC Immunity:</b>	EN 61547: 2009
<b>Transient protection:</b>	120-277 VAC models tested to withstand up to 6kV/3kA per IEEE C62.41.
<b>THD:</b>	< 20%
<b>Power Factor:</b>	> 0.9
<b>Construction:</b>	
<b>Housing:</b>	Copper-free aluminium
<b>Finish:</b>	Superior dual coat finish -Sealed polyester topcoat -Chemical-resistant epoxy primer
<b>Lens:</b>	See table
<b>Screws:</b>	Stainless steel 316

### Photometric Information:

<b>CRI:</b>	80
<b>CCT:</b>	5000K (cool white) 4000K (neutral white)

All values typical unless otherwise stated (tolerance +/- 10%)

**WARNING - INSTALLATION & SECONDARY RETENTION.** Use of any Dialight products without proper installation (including secondary retention / netting) and periodic inspections could cause severe injury or death. Dialight recommends that all installations should use secondary retention / netting (appropriate to the installation environment) where applicable. It is the exclusive responsibility of the contractor, installer and/or end-user to: (a) determine the suitability of the product for its intended application; and, (b) ensure that the product is safely installed (with secondary retention / netting where appropriate) and in compliance with all applicable laws and regulations. To the extent permissible under applicable laws, Dialight disclaims all liability for personal injury and/or other damage resulting from any dislodgment or other dislocation of its products.

# Vigilant® LED High Bay - RCM / CE

## Ordering Information

### RCM/CE - Standard Efficiency - Hook Mount

Part Number	Fixture Lumens	Wattage	lm/W	Voltage	Colour Temperature (CCT)	Lens	Beam Distribution
<b>Glass Lens</b>							
<b>HEE7MN2ANH-VZGN</b>	11,400	80	143	100-277 VAC, 120-250 VDC	4000K (neutral white)	Clear Tempered Glass	Medium
<b>HEE7MN2BNH-VZGN</b>	14,600	100	146	100-277 VAC, 120-250 VDC	4000K (neutral white)	Clear Tempered Glass	Medium
<b>HEE7MN2CNH-VZGN</b>	19,400	130	149	100-277 VAC, 120-250 VDC	4000K (neutral white)	Clear Tempered Glass	Medium
<b>HEE7MN2ENH-VZGN</b>	27,000	185	146	100-277 VAC, 120-250 VDC	4000K (neutral white)	Clear Tempered Glass	Medium
HEE7MC2ANH-VZGN	11,600	80	145	100-277 VAC, 120-250 VDC	5000K (cool white)	Clear Tempered Glass	Medium
HEE7MC2BNH-VZGN	14,900	100	149	100-277 VAC, 120-250 VDC	5000K (cool white)	Clear Tempered Glass	Medium
HEE7MC2CNH-VZGN	19,800	130	152	100-277 VAC, 120-250 VDC	5000K (cool white)	Clear Tempered Glass	Medium
HEE7MC2ENH-VZGN	27,500	185	149	100-277 VAC, 120-250 VDC	5000K (cool white)	Clear Tempered Glass	Medium
<b>Acrylic Lens</b>							
HEE2MN2ANH-VZGN	11,300	80	141	100-277 VAC, 120-250 VDC	4000K (neutral white)	Clear Acrylic	Medium
HEE2MN2BNH-VZGN	14,500	100	145	100-277 VAC, 120-250 VDC	4000K (neutral white)	Clear Acrylic	Medium
HEE2MN2CNH-VZGN	19,200	130	148	100-277 VAC, 120-250 VDC	4000K (neutral white)	Clear Acrylic	Medium
HEE2MN2ENH-VZGN	26,700	185	144	100-277 VAC, 120-250 VDC	4000K (neutral white)	Clear Acrylic	Medium
HEE2MC2ANH-VZGN	11,500	80	144	100-277 VAC, 120-250 VDC	5000K (cool white)	Clear Acrylic	Medium
HEE2MC2BNH-VZGN	14,800	100	148	100-277 VAC, 120-250 VDC	5000K (cool white)	Clear Acrylic	Medium
HEE2MC2CNH-VZGN	19,600	130	151	100-277 VAC, 120-250 VDC	5000K (cool white)	Clear Acrylic	Medium
HEE2MC2ENH-VZGN	27,200	185	147	100-277 VAC, 120-250 VDC	5000K (cool white)	Clear Acrylic	Medium
<b>Polycarbonate Dome Lens</b>							
HEEL2MN2ANH-VZGN	11,100	80	139	100-277 VAC, 120-250 VDC	4000K (neutral white)	Polycarbonate Dome	Medium
HEEL2MN2BNH-VZGN	14,300	100	143	100-277 VAC, 120-250 VDC	4000K (neutral white)	Polycarbonate Dome	Medium
HEEL2MN2CNH-VZGN	19,000	130	146	100-277 VAC, 120-250 VDC	4000K (neutral white)	Polycarbonate Dome	Medium
<b>HEEL2MN2ENH-VZGN</b>	26,400	185	143	100-277 VAC, 120-250 VDC	4000K (neutral white)	Polycarbonate Dome	Medium
HEEL2MC2ANH-VZGN	11,400	80	143	100-277 VAC, 120-250 VDC	5000K (cool white)	Polycarbonate Dome	Medium
HEEL2MC2BNH-VZGN	14,600	100	146	100-277 VAC, 120-250 VDC	5000K (cool white)	Polycarbonate Dome	Medium
HEEL2MC2CNH-VZGN	19,400	130	149	100-277 VAC, 120-250 VDC	5000K (cool white)	Polycarbonate Dome	Medium
HEEL2MC2ENH-VZGN	27,000	185	146	100-277 VAC, 120-250 VDC	5000K (cool white)	Polycarbonate Dome	Medium

All values typical unless otherwise stated (tolerance +/- 10%).

For additional controls options including IntelliLED wireless controls, contact a Dialight sales representative for spec sheet.

Part numbers listed in bold are typically available in stock.

Historical part number provided for reference only. For performance characteristics of historical product, please contact your local representative.

# Vigilant® LED High Bay - RCM / CE

## Ordering Information

### RCM/CE - Ultra High Efficiency - Hook Mount

Part Number	Fixture Lumens	Wattage	lm/W	Voltage	Colour Temperature (CCT)	Lens	Beam Distribution	Battery Power
<b>Glass Lens</b>								
<b>VEE7MN2ANH-VZGN</b>	11,000	65	169	100-277 VAC, 120-250 VDC	4000K (neutral white)	Clear Tempered Glass	Medium	N/A
<b>VEE7MN2BNH-VZGN</b>	13,700	80	171	100-277 VAC, 120-250 VDC	4000K (neutral white)	Clear Tempered Glass	Medium	N/A
<b>VEE7MN2CNH-VZGN</b>	17,400	96	181	100-277 VAC, 120-250 VDC	4000K (neutral white)	Clear Tempered Glass	Medium	N/A
<b>VEE7MN2ENH-VZGN</b>	24,000	140	171	100-277 VAC, 120-250 VDC	4000K (neutral white)	Clear Tempered Glass	Medium	N/A
<b>VEE7MN2FNH-VZGN</b>	28,100	165	170	100-277 VAC, 120-250 VDC	4000K (neutral white)	Clear Tempered Glass	Medium	N/A
<b>VEE7MN2HNNH-VZGN</b>	32,300	195	166	100-277 VAC, 120-250 VDC	4000K (neutral white)	Clear Tempered Glass	Medium	N/A
<b>VEE7MN2JNH-VZGN</b>	37,400	230	163	100-277 VAC, 120-250 VDC	4000K (neutral white)	Clear Tempered Glass	Medium	N/A
VEE7MC2ANH-VZGN	11,000	65	169	100-277 VAC, 120-250 VDC	5000K (cool white)	Clear Tempered Glass	Medium	N/A
VEE7MC2BNH-VZGN	13,700	80	171	100-277 VAC, 120-250 VDC	5000K (cool white)	Clear Tempered Glass	Medium	N/A
<b>VEE7MC2CNH-VZGN</b>	17,400	96	181	100-277 VAC, 120-250 VDC	5000K (cool white)	Clear Tempered Glass	Medium	N/A
VEE7MC2ENH-VZGN	24,000	140	171	100-277 VAC, 120-250 VDC	5000K (cool white)	Clear Tempered Glass	Medium	N/A
VEE7MC2FNH-VZGN	28,100	165	170	100-277 VAC, 120-250 VDC	5000K (cool white)	Clear Tempered Glass	Medium	N/A
<b>VEE7MC2HNNH-VZGN</b>	32,300	195	166	100-277 VAC, 120-250 VDC	5000K (cool white)	Clear Tempered Glass	Medium	N/A
VEE7MC2JNH-VZGN	37,400	230	163	100-277 VAC, 120-250 VDC	5000K (cool white)	Clear Tempered Glass	Medium	N/A
<b>Glass Lens - 20W Battery Backup</b>								
VEE7MNGCAH-NNGH	17,400	96	181	230-240 VAC	4000K (neutral white)	Clear Tempered Glass	Medium	20W
<b>VEE7MNGEAH-NNGH</b>	24,000	140	171	230-240 VAC	4000K (neutral white)	Clear Tempered Glass	Medium	20W
VEE7MNGHAH-NNGH	32,300	195	166	230-240 VAC	4000K (neutral white)	Clear Tempered Glass	Medium	20W
<b>VEE7MNGJAH-NNGH</b>	37,400	230	163	230-240 VAC	4000K (neutral white)	Clear Tempered Glass	Medium	20W
VEE7MCGCAH-NNGH	17,400	96	181	230-240 VAC	5000K (cool white)	Clear Tempered Glass	Medium	20W
VEE7MCGEAH-NNGH	24,000	140	171	230-240 VAC	5000K (cool white)	Clear Tempered Glass	Medium	20W
VEE7MCGHAH-NNGH	32,300	195	166	230-240 VAC	5000K (cool white)	Clear Tempered Glass	Medium	20W
VEE7MCGJAH-NNGH	37,400	230	163	230-240 VAC	5000K (cool white)	Clear Tempered Glass	Medium	20W

All values typical unless otherwise stated (tolerance +/- 10%).

For additional controls options including IntelliLED wireless controls, contact a Dialight sales representative for spec sheet.

Part numbers listed in bold are typically available in stock.

Historical part number provided for reference only. For performance characteristics of historical product, please contact your local representative.

**DISCLAIMER.** All product information provided is, to the best of Dialight's knowledge, accurate as of the date of publication. When ordering, refer to [www.dialight.com](http://www.dialight.com) for current versions of: (a) relevant product documentation (including the relevant product data sheets); (b) Dialight terms and conditions of sale; and, (c) the relevant product warranty. To the extent that any contract is deemed formed between Dialight and the purchaser of Dialight products and/or an end-user, versions of documents available at [www.dialight.com](http://www.dialight.com) as at the date of sale shall be the versions incorporated therein. In the event of any discrepancy between this document or information provided at [www.dialight.com](http://www.dialight.com), the latter shall prevail.

# Vigilant® LED High Bay - UL

## Ordering Information

### UL - Standard Efficiency - 3/4" NPT Mount

Part Number	Fixture Lumens	Wattage	lm/W	Voltage	Colour Temperature (CCT)	Lens	Beam Distribution
<b>Glass Lens</b>							
HEU7MN2ANN-WNGN	11,400	80	143	100-277 VAC, 120-250 VDC	4000K (neutral white)	Clear Tempered Glass	Medium
HEU7MN2BNN-WNGN	14,600	100	146	100-277 VAC, 120-250 VDC	4000K (neutral white)	Clear Tempered Glass	Medium
HEU7MN2CNN-WNGN	19,400	130	149	100-277 VAC, 120-250 VDC	4000K (neutral white)	Clear Tempered Glass	Medium
HEU7MN2ENN-WNGN	27,000	185	146	100-277 VAC, 120-250 VDC	4000K (neutral white)	Clear Tempered Glass	Medium
HEU7MC2ANN-WNGN	11,600	80	145	100-277 VAC, 120-250 VDC	5000K (cool white)	Clear Tempered Glass	Medium
HEU7MC2BNN-WNGN	14,900	100	149	100-277 VAC, 120-250 VDC	5000K (cool white)	Clear Tempered Glass	Medium
HEU7MC2CNN-WNGN	19,800	130	152	100-277 VAC, 120-250 VDC	5000K (cool white)	Clear Tempered Glass	Medium
HEU7MC2ENN-WNGN	27,500	185	149	100-277 VAC, 120-250 VDC	5000K (cool white)	Clear Tempered Glass	Medium
<b>Acrylic Lens</b>							
HEU2MN2ANN-WNGN	11,300	80	141	100-277 VAC, 120-250 VDC	4000K (neutral white)	Clear Acrylic	Medium
HEU2MN2BNN-WNGN	14,500	100	145	100-277 VAC, 120-250 VDC	4000K (neutral white)	Clear Acrylic	Medium
HEU2MN2CNN-WNGN	19,200	130	148	100-277 VAC, 120-250 VDC	4000K (neutral white)	Clear Acrylic	Medium
HEU2MN2ENN-WNGN	26,700	185	144	100-277 VAC, 120-250 VDC	4000K (neutral white)	Clear Acrylic	Medium
HEU2MC2ANN-WNGN	11,500	80	144	100-277 VAC, 120-250 VDC	5000K (cool white)	Clear Acrylic	Medium
HEU2MC2BNN-WNGN	14,800	100	148	100-277 VAC, 120-250 VDC	5000K (cool white)	Clear Acrylic	Medium
HEU2MC2CNN-WNGN	19,600	130	151	100-277 VAC, 120-250 VDC	5000K (cool white)	Clear Acrylic	Medium
HEU2MC2ENN-WNGN	27,200	185	147	100-277 VAC, 120-250 VDC	5000K (cool white)	Clear Acrylic	Medium

All values typical unless otherwise stated (tolerance +/- 10%).

For additional controls options including IntelliLED wireless controls, contact a Dialight sales representative for spec sheet.

Part numbers listed in bold are typically available in stock.

Historical part number provided for reference only. For performance characteristics of historical product, please contact your local representative.

**DISCLAIMER.** All product information provided is, to the best of Dialight's knowledge, accurate as of the date of publication. When ordering, refer to [www.dialight.com](http://www.dialight.com) for current versions of: (a) relevant product documentation (including the relevant product data sheets); (b) Dialight terms and conditions of sale; and, (c) the relevant product warranty. To the extent that any contract is deemed formed between Dialight and the purchaser of Dialight products and/or an end-user, versions of documents available at [www.dialight.com](http://www.dialight.com) as at the date of sale shall be the versions incorporated therein. In the event of any discrepancy between this document or information provided at [www.dialight.com](http://www.dialight.com), the latter shall prevail.

# Vigilant® LED High Bay - UL

## Ordering Information

UL - Ultra High Efficiency - 3/4" NPT Mount

Part Number	Fixture Lumens	Wattage	lm/W	Voltage	Colour Temperature (CCT)	Lens	Beam Distribution	Power Supply
<b>Glass Lens</b>								
VEU7MN2ANN-WNGN	11,000	65	169	100-277 VAC, 120-250 VDC	4000K (neutral white)	Clear Tempered Glass	Medium	N/A
VEU7MN2BNN-WNGN	13,700	80	171	100-277 VAC, 120-250 VDC	4000K (neutral white)	Clear Tempered Glass	Medium	N/A
VEU7MN2CNN-WNGN	17,400	96	181	100-277 VAC, 120-250 VDC	4000K (neutral white)	Clear Tempered Glass	Medium	N/A
VEU7MN2ENN-WNGN	24,000	140	171	100-277 VAC, 120-250 VDC	4000K (neutral white)	Clear Tempered Glass	Medium	N/A
VEU7MN2FNN-WNGN	28,100	165	170	100-277 VAC, 120-250 VDC	4000K (neutral white)	Clear Tempered Glass	Medium	N/A
VEU7MN2HNN-WNGN	32,300	195	166	100-277 VAC, 120-250 VDC	4000K (neutral white)	Clear Tempered Glass	Medium	N/A
VEU7MN2JNN-WNGN	37,400	230	163	100-277 VAC, 120-250 VDC	4000K (neutral white)	Clear Tempered Glass	Medium	N/A
VEU7MC2ANN-WNGN	11,000	65	169	100-277 VAC, 120-250 VDC	5000K (cool white)	Clear Tempered Glass	Medium	N/A
VEU7MC2BNN-WNGN	13,700	80	171	100-277 VAC, 120-250 VDC	5000K (cool white)	Clear Tempered Glass	Medium	N/A
VEU7MC2CNN-WNGN	17,400	96	181	100-277 VAC, 120-250 VDC	5000K (cool white)	Clear Tempered Glass	Medium	N/A
VEU7MC2ENN-WNGN	24,000	140	171	100-277 VAC, 120-250 VDC	5000K (cool white)	Clear Tempered Glass	Medium	N/A
VEU7MC2FNN-WNGN	28,100	165	170	100-277 VAC, 120-250 VDC	5000K (cool white)	Clear Tempered Glass	Medium	N/A
VEU7MC2HNN-WNGN	32,300	195	166	100-277 VAC, 120-250 VDC	5000K (cool white)	Clear Tempered Glass	Medium	N/A
VEU7MC2JNN-WNGN	37,400	230	163	100-277 VAC, 120-250 VDC	5000K (cool white)	Clear Tempered Glass	Medium	N/A
<b>Glass Lens - 20W Battery Backup</b>								
VEU7MNGCAH-NNGH	17,400	96	181	230-240 VAC	4000K (neutral white)	Clear Tempered Glass	Medium	20W
<b>VEU7MNGEAH-NNGH</b>	24,000	140	171	230-240 VAC	4000K (neutral white)	Clear Tempered Glass	Medium	20W
VEU7MNGHAH-NNGH	32,300	195	166	230-240 VAC	4000K (neutral white)	Clear Tempered Glass	Medium	20W
<b>VEU7MNGJAH-NNGH</b>	37,400	230	163	230-240 VAC	4000K (neutral white)	Clear Tempered Glass	Medium	20W
VEU7MCGCAH-NNGH	17,400	96	181	230-240 VAC	5000K (cool white)	Clear Tempered Glass	Medium	20W
VEU7MCGEAH-NNGH	24,000	140	171	230-240 VAC	5000K (cool white)	Clear Tempered Glass	Medium	20W
VEU7MCGHAH-NNGH	32,300	195	166	230-240 VAC	5000K (cool white)	Clear Tempered Glass	Medium	20W
VEU7MCGJAH-NNGH	37,400	230	163	230-240 VAC	5000K (cool white)	Clear Tempered Glass	Medium	20W

All values typical unless otherwise stated (tolerance +/- 10%).

For additional controls options including IntelliLED wireless controls, contact a Dialight sales representative for spec sheet.

Part numbers listed in bold are typically available in stock.

Historical part number provided for reference only. For performance characteristics of historical product, please contact your local representative.

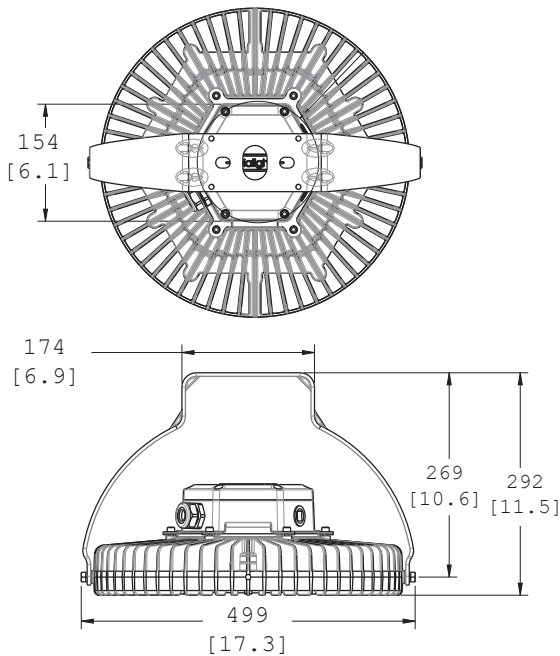
**DISCLAIMER.** All product information provided is, to the best of Dialight's knowledge, accurate as of the date of publication. When ordering, refer to [www.dialight.com](http://www.dialight.com) for current versions of: (a) relevant product documentation (including the relevant product data sheets); (b) Dialight terms and conditions of sale; and, (c) the relevant product warranty. To the extent that any contract is deemed formed between Dialight and the purchaser of Dialight products and/or an end-user, versions of documents available at [www.dialight.com](http://www.dialight.com) as at the date of sale shall be the versions incorporated therein. In the event of any discrepancy between this document or information provided at [www.dialight.com](http://www.dialight.com), the latter shall prevail.

### Vigilant® LED High Bay Integrated Wiring Box Models



#### Certifications & Ratings

- 10 year warranty
- L70 >150,000 hours @ 25°C ambient
- CE / RCM / UL 1598/A (wet locations)
- IK10 to EN 50102 (Polycarbonate lens)  
IK06 to EN 50102 (Acrylic lens)  
IK05 to EN 50102 (Glass lens)



Comparison		
	Warranty	L70
Dialight LED High Bay	10yr	>150,000
Metal Halide	1	15,000
High Pressure Sodium	1	20,000

#### Mechanical Information:

<b>Fixture weight:</b>	9.1 kg (20 lb)
<b>Shipping weight:</b>	11.8 kg (26 lb)
<b>Mounting:</b>	Various kits (see page 10)
<b>Cable entries:</b>	M25 x 3
<b>Terminals:</b>	0.5-4mm <sup>2</sup> x 5

#### Dimming Information:

<b>Dimming:</b>	DALI 1.0 and 2.0 compatible
<b>Dimming Range:</b>	100-5%

#### Electrical Specifications:

<b>Operating Voltage:</b>	100-277 VAC 120-250 VDC
<b>Total system power consumption:</b>	See table
<b>Operating Temp:</b>	-40°C to +65°C
<b>Harmonics:</b>	IEC 61000-3-2
<b>Noise requirement /EMC:</b>	EN 61547: 2009 Radiated and Conducted Emissions: EN 55015
<b>EMC Immunity:</b>	EN 61547: 2009
<b>Transient protection:</b>	Tested to withstand up to 8kV/4kA per IEEE C62.41
<b>THD:</b>	< 20%
<b>Power Factor:</b>	> 0.9
<b>Construction:</b>	
<b>Housing:</b>	Copper-free aluminium
<b>Finish:</b>	Superior dual coat finish -Sealed polyester topcoat -Chemical-resistant epoxy primer
<b>Lens:</b>	See table
<b>Screws:</b>	Stainless steel 316

#### Photometric Information:

<b>CRI:</b>	80
<b>CCT:</b>	5000K (cool white) 4000K (neutral white) 2700K

All values typical unless otherwise stated (tolerance +/- 10%)

### Vigilant® LED High Bay - RCM / CE / UL Integrated Wiring Box - Ordering Information

RCM/CE - Integrated Wiring Box - DALI with HBXW3 Bracket



Part Number	Fixture Lumens	Wattage	lm/W	Voltage	Colour Temperature (CCT)	Lens	Beam Distribution
<b>Standard Efficiency</b>							
HWE7MN2AAA-NNGN	11,400	80	143	100-277 VAC, 120-250 VDC	4000K (neutral white)	Clear Tempered Glass	Medium
HWE7MN2BAA-NNGN	14,600	100	146	100-277 VAC, 120-250 VDC	4000K (neutral white)	Clear Tempered Glass	Medium
HWE7MN2CAA-NNGN	19,400	130	149	100-277 VAC, 120-250 VDC	4000K (neutral white)	Clear Tempered Glass	Medium
HWE7MN2EAA-NNGN	27,000	185	146	100-277 VAC, 120-250 VDC	4000K (neutral white)	Clear Tempered Glass	Medium
HWE7MC2AAA-NNGN	11,600	80	145	100-277 VAC, 120-250 VDC	5000K (cool white)	Clear Tempered Glass	Medium
HWE7MC2BAA-NNGN	14,900	100	149	100-277 VAC, 120-250 VDC	5000K (cool white)	Clear Tempered Glass	Medium
HWE7MC2CAA-NNGN	19,800	130	152	100-277 VAC, 120-250 VDC	5000K (cool white)	Clear Tempered Glass	Medium
HWE7MC2EAA-NNGN	27,500	185	149	100-277 VAC, 120-250 VDC	5000K (cool white)	Clear Tempered Glass	Medium
<b>Ultra High Efficiency</b>							
VWE7MN2HAA-NNGN	32,300	195	166	100-277 VAC, 120-250 VDC	4000K (neutral white)	Clear Tempered Glass	Medium
VWE7MN2JAA-NNGN	37,400	230	163	100-277 VAC, 120-250 VDC	4000K (neutral white)	Clear Tempered Glass	Medium
VWE7MC2HAA-NNGN	32,300	195	166	100-277 VAC, 120-250 VDC	5000K (cool white)	Clear Tempered Glass	Medium
VWEMC2JAA-NNGN	37,400	230	163	100-277 VAC, 120-250 VDC	5000K (cool white)	Clear Tempered Glass	Medium

### UL - Integrated Wiring Box - DALI with HBXW3 Bracket

Part Number	Fixture Lumens	Wattage	lm/W	Voltage	Colour Temperature (CCT)	Lens	Beam Distribution
<b>Standard Efficiency</b>							
HWU7MN2AAA-NNGN	11,400	80	143	100-277 VAC, 120-250 VDC	4000K (neutral white)	Clear Tempered Glass	Medium
HWU7MN2BAA-NNGN	14,600	100	146	100-277 VAC, 120-250 VDC	4000K (neutral white)	Clear Tempered Glass	Medium
HWU7MN2CAA-NNGN	19,400	130	149	100-277 VAC, 120-250 VDC	4000K (neutral white)	Clear Tempered Glass	Medium
HWU7MN2EAA-NNGN	27,000	185	146	100-277 VAC, 120-250 VDC	4000K (neutral white)	Clear Tempered Glass	Medium
HWU7MC2AAA-NNGN	11,600	80	145	100-277 VAC, 120-250 VDC	5000K (cool white)	Clear Tempered Glass	Medium
HWU7MC2BAA-NNGN	14,900	100	149	100-277 VAC, 120-250 VDC	5000K (cool white)	Clear Tempered Glass	Medium
HWU7MC2CAA-NNGN	19,800	130	152	100-277 VAC, 120-250 VDC	5000K (cool white)	Clear Tempered Glass	Medium
HWU7MC2EAA-NNGN	27,500	185	149	100-277 VAC, 120-250 VDC	5000K (cool white)	Clear Tempered Glass	Medium
<b>Ultra High Efficiency</b>							
VWU7MN2HAA-NNGN	32,300	195	166	100-277 VAC, 120-250 VDC	4000K (neutral white)	Clear Tempered Glass	Medium
VWU7MN2JAA-NNGN	37,400	230	163	100-277 VAC, 120-250 VDC	4000K (neutral white)	Clear Tempered Glass	Medium
VWE7MC2HAA-NNGN	32,300	195	166	100-277 VAC, 120-250 VDC	5000K (cool white)	Clear Tempered Glass	Medium
VWE7MC2JAA-NNGN	37,400	230	163	100-277 VAC, 120-250 VDC	5000K (cool white)	Clear Tempered Glass	Medium

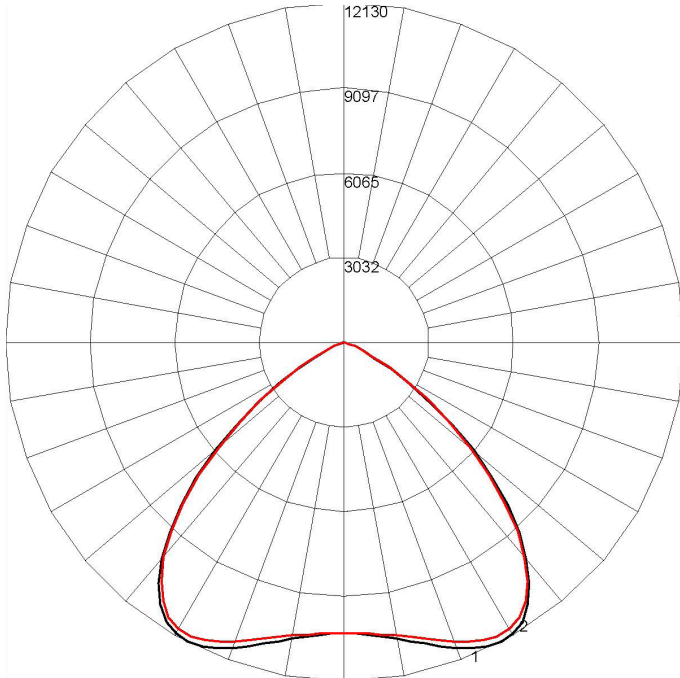
All values typical unless otherwise stated (tolerance +/- 10%).

Flat clear acrylic lens available. Consult local Dialight sales office for availability.

Historical part number provided for reference only. For performance characteristics of historical product, please contact your local representative.

**DISCLAIMER.** All product information provided is, to the best of Dialight's knowledge, accurate as of the date of publication. When ordering, refer to [www.dialight.com](http://www.dialight.com) for current versions of: (a) relevant product documentation (including the relevant product data sheets); (b) Dialight terms and conditions of sale; and, (c) the relevant product warranty. To the extent that any contract is deemed formed between Dialight and the purchaser of Dialight products and/or an end-user, versions of documents available at [www.dialight.com](http://www.dialight.com) as at the date of sale shall be the versions incorporated therein. In the event of any discrepancy between this document or information provided at [www.dialight.com](http://www.dialight.com), the latter shall prevail.

## Beam Distribution Medium



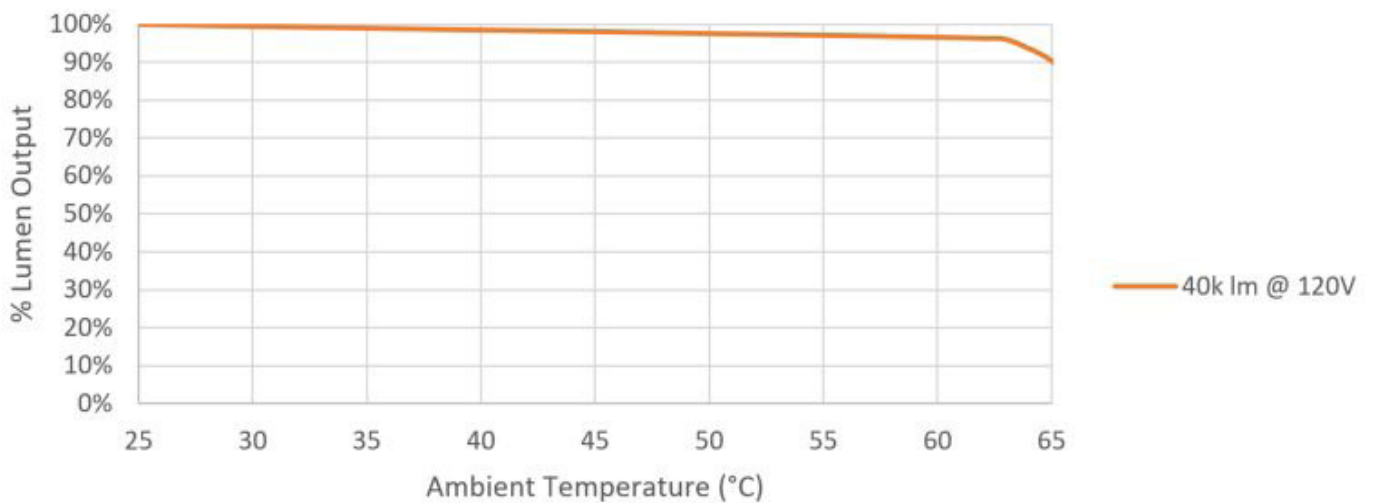
Maximum Candela = 12129.5 Located At Horizontal Angle = 0, Vertical Angle = 27.5  
 # 1 - Vertical Plane Through Horizontal Angles (0 - 180)  
 # 2 - Vertical Plane Through Horizontal Angles (90 - 270)

## Lumen Output Battery Backup

Typical Lumen Output	Wattage	Lumens in EM Mode (20W Battery)
11k	65	3380
13k	80	3420
17k	96	3260
24k	140	3420
28k	165	3400
32k	195	3320
37k	230	3260

Typical output based on Glass lens, Med optic. Output may vary slightly with different options. Tolerance +/- 10%.

## Thermal Roll-Off



**DISCLAIMER.** All product information provided is, to the best of Dialight's knowledge, accurate as of the date of publication. When ordering, refer to [www.dialight.com](http://www.dialight.com) for current versions of: (a) relevant product documentation (including the relevant product data sheets); (b) Dialight terms and conditions of sale; and, (c) the relevant product warranty. To the extent that any contract is deemed formed between Dialight and the purchaser of Dialight products and/or an end-user, versions of documents available at [www.dialight.com](http://www.dialight.com) as at the date of sale shall be the versions incorporated therein. In the event of any discrepancy between this document or information provided at [www.dialight.com](http://www.dialight.com), the latter shall prevail.

## In Rush Currents

Model	Max Wattage	In rush current @ input voltage				Approximate time duration (T50) of in rush current			
		100 VAC	120 VAC	230 VAC	277 VAC	100 VAC	120 VAC	230 VAC	277 VAC
11k	86	6.4	7.7	14.8	17.8	1.5ms	1.5ms	1.5ms	1.5ms
14k	109	6.4	7.7	14.8	17.8	1.5ms	1.5ms	1.5ms	1.5ms
19k	145	6.4	7.7	14.8	17.8	1.5ms	1.5ms	1.5ms	1.5ms
26k	205	6.4	7.7	14.8	17.8	1.5ms	1.5ms	1.5ms	1.5ms
30k	190	6.4	7.7	14.8	17.8	1.5ms	1.5ms	1.5ms	1.5ms
35k	225	6.4	7.7	14.8	17.8	1.5ms	1.5ms	1.5ms	1.5ms
40k	261	6.4	7.7	14.8	17.8	1.5ms	1.5ms	1.5ms	1.5ms

## Lumen Maintenance Factor

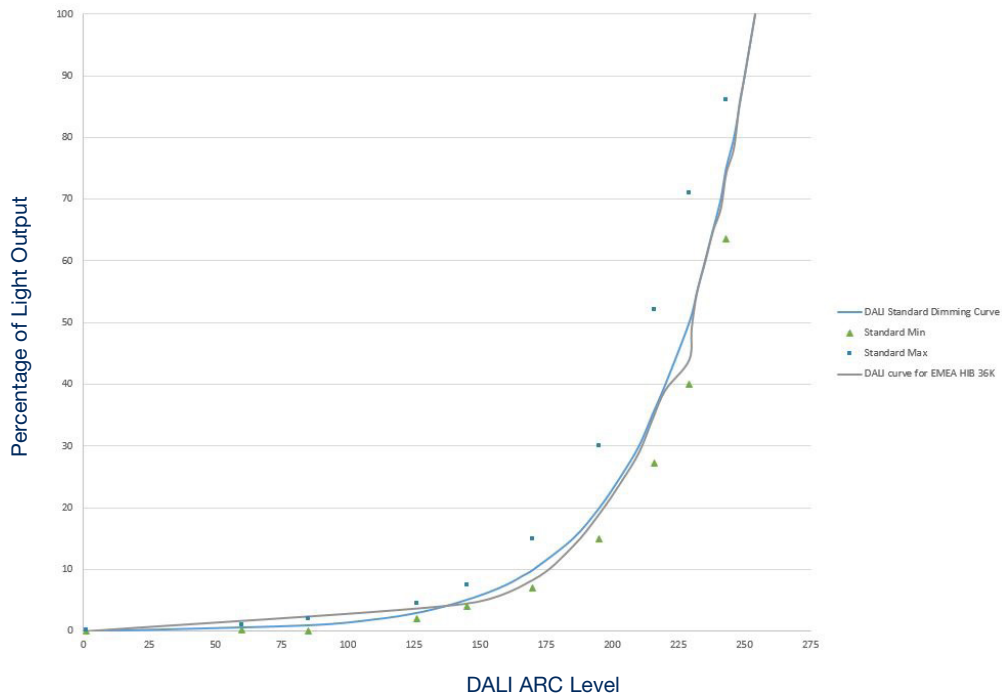
% Lumen Output (40k lm @ 120V)									
Ambient Temp (°C)	Hours								
	0	15000	30000	45000	60000	75000	90000	100000	150000
25	100%	96%	93%	90%	87%	84%	81%	80%	71%
30	100%	96%	93%	90%	87%	84%	81%	79%	71%
35	99%	95%	92%	89%	86%	84%	80%	79%	71%
40	99%	95%	92%	89%	86%	83%	80%	79%	70%
45	98%	94%	91%	88%	85%	82%	80%	78%	69%
50	98%	94%	91%	87%	84%	82%	79%	77%	69%
55	97%	93%	90%	87%	84%	81%	78%	76%	68%
60	97%	93%	89%	86%	83%	80%	77%	75%	67%
65	90%	87%	84%	80%	78%	75%	72%	70%	62%

**DISCLAIMER.** All product information provided is, to the best of Dialight's knowledge, accurate as of the date of publication. When ordering, refer to [www.dialight.com](http://www.dialight.com) for current versions of: (a) relevant product documentation (including the relevant product data sheets); (b) Dialight terms and conditions of sale; and, (c) the relevant product warranty. To the extent that any contract is deemed formed between Dialight and the purchaser of Dialight products and/or an end-user, versions of documents available at [www.dialight.com](http://www.dialight.com) as at the date of sale shall be the versions incorporated therein. In the event of any discrepancy between this document or information provided at [www.dialight.com](http://www.dialight.com), the latter shall prevail.

# Circuit Breaker

Model	Maximum # of Lights per Breaker @ 100 VAC			Maximum # of Lights per Breaker @ 120 VAC			Maximum # of Lights per Breaker @ 230 VAC			Maximum # of Lights per Breaker @ 277 VAC		
	C10	B16	C16	C10	B16	C16	C10	B16	C16	C10	B16	C16
11k	8	13	13	10	16	16	19	30	30	22	35	35
14k	6	10	10	8	12	12	15	24	24	17	28	28
19k	5	8	8	6	9	9	11	18	18	13	20	20
26k	3	5	5	4	7	7	8	13	13	9	15	15
30k	4	6	6	5	7	7	9	14	14	10	17	17
35k	3	5	5	4	6	6	8	12	12	9	14	14
40k	3	4	4	3	5	5	7	10	10	8	12	12

# DALI Dimming Curve



**DISCLAIMER.** All product information provided is, to the best of Dialight’s knowledge, accurate as of the date of publication. When ordering, refer to [www.dialight.com](http://www.dialight.com) for current versions of: (a) relevant product documentation (including the relevant product data sheets); (b) Dialight terms and conditions of sale; and, (c) the relevant product warranty. To the extent that any contract is deemed formed between Dialight and the purchaser of Dialight products and/or an end-user, versions of documents available at [www.dialight.com](http://www.dialight.com) as at the date of sale shall be the versions incorporated therein. In the event of any discrepancy between this document or information provided at [www.dialight.com](http://www.dialight.com), the latter shall prevail.

# Earth Leakage

Voltage	Typical Measurements			
	Normal (mA)	Live to Neutral or L1 to L2 Reversed (mA)	Neutral or L2 Open (mA)	Neutral or L2 Open Reversed (mA)
120V/60Hz	0.27	0.25	0.46	0.45
230V/50Hz	0.41	0.40	0.78	0.77
277V/60Hz	0.56	0.56	1.05	1.03

## Vigilant® LED High Bay - RCM / CE / UL Mounting Accessories



**HBXW3-SS<sup>1</sup>**

- 316 stainless steel swivel bracket



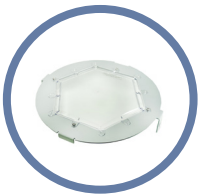
**HBXW3-SSL-316M<sup>1</sup>**

- 316 stainless steel adjustable locking bracket



**HBXCAB48**

- 48" long stainless steel safety rope (for use with safety retention tabs)



**HBXSBK**

- LED High Bay textured flat lens
- HBXSBL**
- LED High Bay sacrificial flat lens



**HBXSBDK**

- LED High Bay textured dome lens

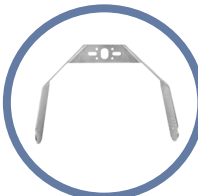
**HBXSBDL**

- LED High Bay sacrificial dome lens



**HBXCG**

- Cable gland



**HBXW3-SSL-316FTM<sup>1</sup>**

- 316 stainless steel forward throw bracket



**HBXSB**

- 316 stainless steel safety retention tabs (4x)



**HBXCU**

- Ceiling / wall mount
- UL only



**HBXW2<sup>1</sup>**

- Aluminum swivel bracket and cable gland

**HBXW3<sup>1</sup>**

- Aluminum swivel bracket



**HBBATTKIT20**

- 20W replacement battery



**HBXHL**

- Hook/Loop
- For use with 3 conductor cable only

<sup>1</sup> Brackets not compatible with Battery Backup models.

**DISCLAIMER.** All product information provided is, to the best of Dialight's knowledge, accurate as of the date of publication. When ordering, refer to [www.dialight.com](http://www.dialight.com) for current versions of: (a) relevant product documentation (including the relevant product data sheets); (b) Dialight terms and conditions of sale; and, (c) the relevant product warranty. To the extent that any contract is deemed formed between Dialight and the purchaser of Dialight products and/or an end-user, versions of documents available at [www.dialight.com](http://www.dialight.com) as at the date of sale shall be the versions incorporated therein. In the event of any discrepancy between this document or information provided at [www.dialight.com](http://www.dialight.com), the latter shall prevail.

## Australia

108 Howe Street  
Osborne Park, WA 6017  
Tel: +61 (0) 8 9244 7600  
Fax: +61 (0) 8 9244 7601  
info@dialight.com.au

## Southeast Asia

56 Kallang Pudding Road  
#09 – 08 HH@Kallang  
Singapore 349328  
Tel: +65 6578 7271  
Fax: +65 6578 7150  
enquiry@dialight.com.sg

### WARNING / DISCLAIMERS:

**Installation & secondary retention.** The use of this product without proper installation (including secondary retention / netting) and periodic inspections, could cause severe injury or death. Dialight recommends that all installations should use secondary retention / netting (appropriate to the installation environment) as applicable. Dialight products are intended for ultimate purchase, installation and operation by knowledgeable persons trained in the functional assessment, installation, use and maintenance of such products and all customers (including but not limited to end customers) are responsible for assessing the suitability of Dialight products for any given installation requirement. It is the exclusive responsibility of the contractor, installer and/or end-user to: (a) determine the suitability of the product for its intended application; and, (b) ensure that the product is safely installed (with secondary retention / netting as appropriate) and in compliance with all applicable laws and regulations.

**Product specifications & warranties.** All product information provided is, to the best of Dialight's knowledge, accurate as of the date of publication. All values and performance data herein are design or typical values when measured under laboratory conditions. The information herein is subject to change without notice. The products / software detailed herein are subject to applicable warranties and terms and conditions of use/purchase. Unless agreed otherwise in writing by an authorized representative of Dialight, Dialight does not represent that its products are fit for any particular purpose and accepts no liability for the installation and/or unauthorised use of its products. When ordering, refer to [www.dialight.com](http://www.dialight.com) for current versions of: (a) relevant product documentation (including relevant product data sheets); (b) Dialight terms and conditions of sale; and, (c) the relevant product warranties. To the extent that any contract is deemed formed between Dialight and the purchaser of Dialight products and/or an end-user, versions of documents available at [www.dialight.com](http://www.dialight.com) as at the date of sale shall be the versions incorporated therein. In the event of any discrepancy between this document and information provided at [www.dialight.com](http://www.dialight.com), the latter shall prevail.

**Exclusion of liability.** To the extent permissible under the relevant law, Dialight disclaims all liability for personal injury and/or other damage resulting from any dislodgment or other dislocation of its products. Whilst Dialight has used its reasonable endeavours to ensure the completeness and accuracy of information herein, Dialight does not assume any liability for damages resulting from use of this information or for any third-party representations made in relation to Dialight products.